




SUBARU

1994 ~ 2012 Model Year

PDF FLAT RATE MANUAL

CONTENTS

 **SUBARU** and  **SUBARU** are registered trademarks of FUJI HEAVY INDUSTRIES LTD.
© Copyright 2011 FUJI HEAVY INDUSTRIES LTD.

Not to be reproduced in whole or in part without the prior written permission of FUJI HEAVY INDUSTRIES LTD., TOKYO, JAPAN.

CONTENTS

1) General Description

1. Foreword	2
2. How to Use this Manual	3
3. List of Abbreviations	11

2) Standard Labor Table

PART 1 (Justy, TREZIA, IMPREZA, LEGACY, FORESTER, TRIBECA, EXIGA, SVX) /

PART 2 (J Series, VIVIO, E12, MV)

Part 1 Part 2

PM PERIODIC MAINTENANCE SERVICES	15	276
FU FUEL INJECTION (FUEL SYSTEMS)	21	279
CAB CARBURETOR	31	282
EC EMISSION CONTROL (AUX. EMISSION CONTROL DEVICES)	35	285
IN INTAKE (INDUCTION)	39	288
ME MECHANICAL	43	291
EX EXHAUST	59	295
CO COOLING	63	298
LU LUBRICATION	67	301
SP SPEED CONTROL SYSTEMS	71	304
IG IGNITION	75	307
SC STARTING / CHARGING SYSTEMS	79	310
CS CONTROL SYSTEM	83	313
CVT CONTINUOUSLY VARIABLE TRANSMISSION	87	
AT AUTOMATIC TRANSMISSION	95	316
MT MANUAL TRANSMISSION AND DIFFERENTIAL	105	320
CL CLUTCH SYSTEM	117	323
FS FRONT SUSPENSION	121	326
RS REAR SUSPENSION	125	329
WT WHEEL AND TIRE SYSTEM	129	
AS AIR SUSPENSION	133	
DI DIFFERENTIALS	137	332
DS DRIVE SHAFT SYSTEM	141	335
ABS ABS	145	
VDC VEHICLE DYNAMICS CONTROL (VDC)	149	
BR BRAKE	153	338
PB PARKING BRAKE	161	342
PS POWER ASSISTED SYSTEM (POWER STEERING)	165	345
AC HVAC SYSTEM (HEATER, VENTILATOR AND A/C)	169	348
AB AIRBAG SYSTEM	175	
SB SEAT BELT SYSTEM	179	351
LI LIGHTING SYSTEM	183	354
WW WIPER AND WASHER SYSTEMS	189	358
ET ENTERTAINMENT	193	361
COM COMMUNICATION SYSTEM	197	364
GW GLASS / WINDOWS / MIRRORS	201	367
IDI INSTRUMENTATION / DRIVER INFO	205	370
SE SEATS	209	373
SL SECURITY AND LOCKS	213	376
SR SUNROOF / T-TOP / CONVERTIBLE TOP (SUNROOF)	219	379
EI EXTERIOR / INTERIOR TRIM	223	382
EB EXTERIOR BODY PANELS	231	386
CC CRUISE CONTROL SYSTEM	235	
ES EYE SIGHT	239	
WI WIRING SYSTEM	243	389
ELG ELECTRICAL LOCATION GRID	247	392

PART 3 (Items common to all models)

PNT PAINT	401
BLG BODY LOCATION GRID	408

Appendix.1 Failure Code and Details	410
---	-----

Appendix.2 Rust Warranty Criteria	422
---	-----

General Description

- 1. Foreword**
- 2. How to Use this Manual**
- 3. List of Abbreviations**

1 Foreword

The SUBARU Flat Rate Manual covers 1994 — 2012 models. The Standard Labor Time mentioned in this manual is the time in which a mechanic with SUBARU-certified technical training, using the required equipment and special tools, can accomplish inspection or repair work on a SUBARU model. The Work No. and Standard Labor Time mentioned in this manual are used when applying for compensation for labor charges.

1-1 Policy Regarding Standard Labor Time

Standard Labor Time is determined as the Net Labor Time with an Allowance Rate taken into consideration as follows.

$$\text{Standard labor time} = \text{Net labor time} \times \text{Allowance rate}$$

Net labor time : the actual time taken by an experienced mechanic to perform a job.

Allowance rate : coefficient (1.4) based on gradations in equipment environment or workers' abilities.

1-2 Work Time Not Included in Standard Labor Time

The Standard Labor Time does not include the time taken to perform the following tasks, which are therefore not subject to application for compensation.

- 1) Time taken to confirm trouble phenomena
- 2) Time taken to move a vehicle into the workshop
- 3) Time taken to test-drive a vehicle
- 4) Additional time taken to deal with vehicle conditions such as rust, seizing, etc.
- 5) Time taken to make various adjustments that are not part of the designated work (positional adjustment of installed parts, etc.)

1-3 Standard Labor Time Not Indicated in this Manual

The Standard Labor Time for work not indicated in this manual shall be assessed by using the labor time of a similar work item shown in the manual.

If no similar work item is indicated in the manual, the work item shall be designated as "Other" and the Net Labor Time shall be deemed the Standard Labor Time. (In this case, the work contents must be reported to FHI.)

1-4 Standard Labor Time Unit

The Standard Labor Time minimum unit is 0.1 hours (6 minutes).

Except for items with special designations such as "Opposite side," the labor time is indicated as the total time from the start to the end of the work. For example, AT Overhaul includes the AT removal and installation work time.

2 How to Use this Manual

2-1 Overall Structure of the Manual

This manual is divided into the following three parts according to SUBARU models.

Part 1 : Justy, TREZIA, IMPREZA, LEGACY, FORESTER, TRIBECA, EXIGA, SVX

Part 2 : J Series, VIVIO, E12, MV

Part 3 : Items common to all models

Parts 1 and 2 are made up of five sections — Maintenance, Engine, Transmission, Chassis, Body and Accessory, and Wiring — and each section is made up of its related component parts. Part 3 consists of the section on “Paint.” The Appendix in the back of the manual describes “Failure Codes and Details” and “Rust Warranty Criteria” for reference purposes.

2-2 Construction and Details of Standard Labor Time Table

The “Parts Drawings” and “Parts Classification Number” are shown on the left side of the page, and the “Standard Labor Time Table” (such as the one given as an example below) is shown on the right side of the page.

No.	Work No.	Vehicle Information	Work Description	TIME (HOURS)									
				LEGACY			FORESTER			TRIB ECA	EXI GA	SVX	
				3	4	5	1	2	3				
1	FU0001R		Throttle body	0.4	0.4	0.4	0.4	0.4	0.4	0.4	0.4	0.4	1.1
	FU0001R	DO TC	Throttle body	-	1.0	1.0	0.5	0.5	1.0	-	-	-	-
	FU0001R	DE	Throttle body	-	0.3	0.3	-	-	0.3	-	-	-	-
2	FU0002R		Intake manifold	1.4	1.0	1.5	1.5	1.4	1.0	-	1.0	-	-

- 1) No. : Parts Classification Number that is shown in the Parts Drawing and that indicates the work in question
- 2) Work No. : 7-digit work number

FU0 022 R

The "Service Category Code" indicated in the Service Manual is a 2-or 3-letter code.
<Example>
FU : Fuel System
CAB : Carburetor, etc.

The "Parts Classification No." shown in the Parts Drawing is a 3-digit number.
<Example>
022 : A/F Sensor
023 : Rear O₂ Sensor, etc.

The following "types of work" have a single-digit designation.

- A : Adjustment (Including Inspection)
- D : Disassembly and Assembly
- N : Inspection
- M : Measurement
- R : Replace
- V : Polish
- W :Diagnosis
- X : Paint
- Z : Other

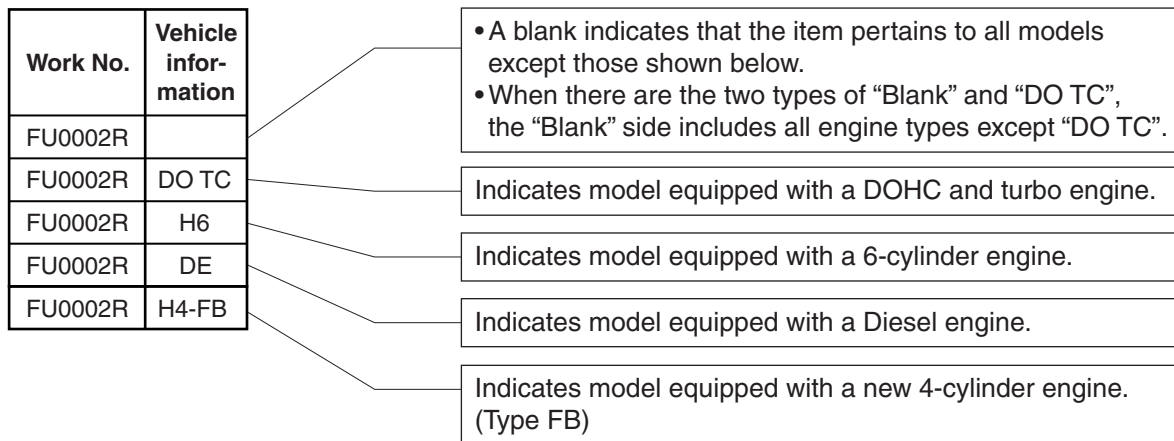
- 1 : Additional Adjustment (Including Inspection)
- 2 : Additional Disassembly and Assembly
- 3 : Additional Inspection
- 4 : (Not Applicable)
- 5 : Additional Replacement
- 6 : Replace of both sides at the same time.

3) Vehicle Information : Notation used when the Standard Labor Time under one Work No. differs according to engine, transmission, or vehicle type.

<Types of Vehicle Information Notation>

- DO TC : DOHC Turbo Charger Engine
- MT : Manual Transmission
- T85 : T85type 6-Speed Manual Transmission. (Not included T75type 6-speed manual transmission)
- AT : Automatic Transmission
- 5AT : 5-Speed Automatic Transmission
- CVT : Continuously Variable Transmission
- SDN : Sedan
- WGN : Station Wagon
- H6 : 6 cylinder engine Horizontal opposite type
- A/B : Model equipped with Air Bag
- DE : Diesel engine
- H4-FB : Horizontally opposite new 4 cylinder engine (Type FB)
- Except MT : AT and CVT models except MT model
- DE LHD : Left hand drive equipped diesel engine
- DE RHD : Right hand drive equipped diesel engine

<How to Read the Vehicle Information Notation>



4) Work Description : Name given to Work No.

5) TIME (HOURS) : Standard Labor Time for each model and Model Year Classification No. (shown in table below)

<Model Year Classification Number Table>

Model Year	Vehicle																						
	Justy			TRE	IMPREZA				LEGACY					FORESTER			TRIB	EXI	SVX	J	VIVIO	E12	MV
	1	2	3	ZIA	1	2	3	4	1	2	3	4	5	1	2	3	ECA	GA	Series				
1994 MY					○				○	○									○	○	○	○	○
1995 MY					○					○									○	○	○	○	
1996 MY	○				○					○									○		○	○	
1997 MY	○				○					○									○		○	○	
1998 MY	○				○					○				○							○	○	
1999 MY	○				○					○				○							○		
2000 MY	○				○						○			○							○		
2001 MY	○					○					○			○									
2002 MY	○					○					○			○									
2003 MY	○					○					○				○								
2004 MY		○				○						○			○								
2005 MY		○				○						○			○								
2006 MY		○				○						○			○								
2007 MY		○				○						○			○		○						
2008 MY		○	○				○					○			○		○						
2009 MY			○				○					○				○	○						
2010 MY			○				○						○			○	○	○					
2011 MY				○			○						○			○	○	○					
2012 MY				○			○	○					○			○	○	○					

2-3 How to Read the Standard Labor Time Table

- 1) From the Parts Drawing, confirm the pertinent "Parts Classification No." listed under Model, Body Component, and Part Item, and then select the Work No. from the same Part Classification No. in the Standard Labor Time Table.
- 2) If that Work No. has a "Vehicle Information" entry, check the pertinent information and select the Standard Labor Time for the subject model and Model Year classification.

<Example>:

Throttle body replacement work time for 04MY LEGACY : 0.4 H

No.	Work No.	Vehicle Information	Work Description	TIME (HOURS)										
				LEGACY			FORESTER			TRIB ECA	EXI GA	SVX		
				3	4	5	1	2	3					
1	FU0001R		Throttle body	0.4	0.4	0.4	0.4	0.4	0.4	0.4	0.4	0.4	0.4	1.1
	FU0001R	DO TC	Throttle body	-	1.0	1.0	0.5	0.5	1.0	-	-	-	-	-
	FU0001R	DE	Throttle body	-	0.3	0.3	-	-	0.3	-	-	-	-	-

2-4 Special Work

The Work No. and labor time for special work are as follows.

1) Additional work

The Work No. for additional work is indicated as a number from 1 to 5 added at the end of the letters of the alphabet that indicate the “type of work.” The Standard Labor Time that generates additional work shall be determined by selecting the Standard Labor Time of the main work and that of the additional work.

FU 0019 5

Indicates the following “types of work”:

* * * * * 1 : Additional Adjustment

* * * * * 2 : Additional Disassembly and Assembly

* * * * * 3 : Additional Inspection

* * * * * 4 : (Not Applicable)

* * * * * 5 : Additional Replacement

<Example>:

Time needed to replace front strut assy on both sides for 04MY IMPREZA : 1.0 H + 0.8 H

No.	Work No.	Vehicle Information	Work Description	TIME (HOURS)									
				Justy			TRE ZIA	IMPREZA				LEGACY	
				1	2	3		1	2	3	4	1	2
4	FS0004D		Front strut Assy OH / One side	-	0.8	1.0	-	1.0	1.0	1.0	1.0	1.0	1.0
	FS00042		Front strut Assy OH / Opposite side	-	0.4	0.5	-	0.8	0.8	0.8	1.0	0.8	0.8
	FS0004R		Front strut Assy / One side	0.9	0.8	-	1.5	-	-	-	-	-	-
	FS00045		Front strut Assy / Opposite side	0.4	0.4	-	0.4	-	-	-	-	-	-

2) Painting work

The Standard Labor Time Table for painting work is shown in Part 3 under the Work No. shown below. The Standard Labor Time for all painting work shall be the Net Labor Time of the pertinent work.

PAP 026 V

PAP * * * V : Polishing
 PNR * * * X : Paint Repair

<Example>:

Rear gate painting work time for 04MY LEGACY : Net labor time

No.	Work No.	Vehicle Information	Work Description	TIME (HOURS)								
				LEGACY			FORESTER			TRIB ECA	EXI GA	SVX
				3	4	5	1	2	3			
	PNR999Z		Other	**	**	**	**	**	**	**	**	**

3) Diagnosis work

Work Nos. for diagnosis work are not shown in the Standard Labor Time Table in this manual. The Work No. for diagnosis work shall therefore be determined by changing the last term of the repair work Work No. to a "W". The Standard Labor Time for all such work shall be the Net Labor Time.

FU0 022 R → changed to FU0 022 W

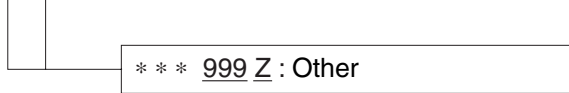
* * * * * W : Diagnosis

4) When there is no corresponding Work No.

If there is no Work No. corresponding to the work in question in the standard work table, select the Work No. for the "Other" category at the bottom of the pertinent standard work table.

The Standard Labor Time for all such work shall be the Net Labor Time. If this Work No. is used, however, the work contents must be reported to FHI as part of the application for compensation.

IN0 999 Z



<Example>:

Work time for intake work that has no corresponding Work No., for 04MY LEGACY : Net labor time

No.	Work No.	Vehicle Information	Work Description	TIME (HOURS)									
				LEGACY			FORESTER			TRIB ECA	EXI GA	SVX	
				3	4	5	1	2	3				
	IN0999Z		Other	**	**	**	**	**	**	**	**	**	**

2-5 Location Grid

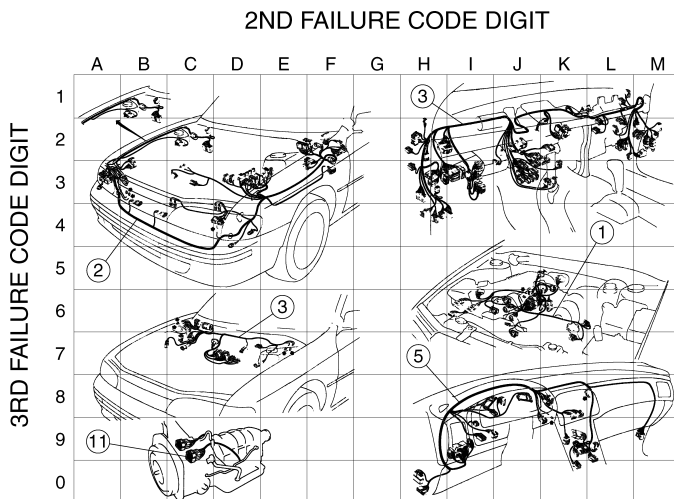
A 3-digit code must be used in the application for compensation to report failure locations that arise under "Electrical wire repair/replacement work" and "Paint repair work."

The failure location code shall be read from a Location Grid diagram in this manual as shown below.

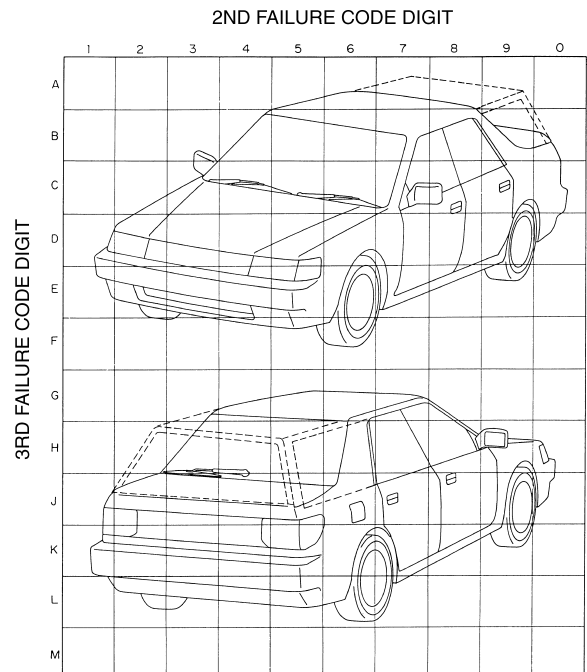
Electrical wire repair/replacement work : Electrical Location Grid Diagram

Paint repair work : Body Location Grid Diagram

<ELECTRICAL LOCATION GRID>



<BODY LOCATION GRID>



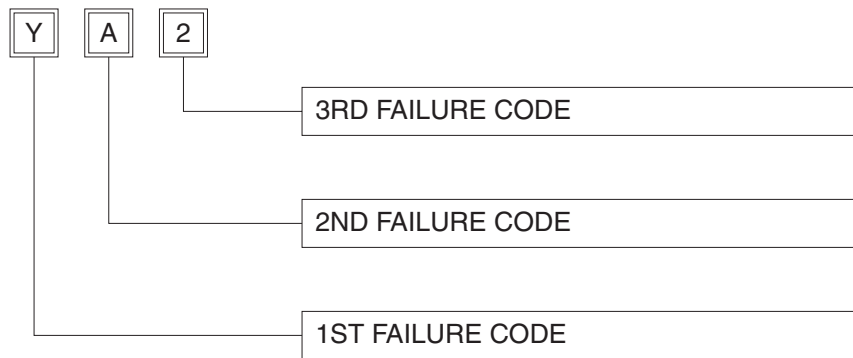
<How to read the Grid Diagram and specify the Failure Code>

Execute the following procedure to specify the 3-digit code corresponding to the location of failure arising in the electrical wiring (or paint).

- Step 1. Make sure the Grid Diagram is for the model that is being repaired.
- Step 2. In the Grid Diagram, specify the Grid Block that corresponds to the location of the failure, and read the 3-digit code from the grid codes that indicate the Grid Diagram and Grid Block.
- Step 3. The first digit of the Failure Code is the "1st Failure Code Digit" (which is a fixed code). In the case of an electrical wire failure, the first digit is a "V", and in the case of a paint failure, it is a "Y".
- Step 4. The second digit of the Failure Code is the letter of the alphabet for the "2nd Failure Code Digit" (located at the top part of the Grid Table) that corresponds to the previously specified Grid Block.
- Step 5. The third digit of the Failure Code is the number for the "3rd Failure Code Digit" (located at the left side of the Grid Table) that corresponds to the previously specified Grid Block.

<Example>:

3-digit Failure Code for repair of left front door paint



3 List of Abbreviations

The symbols and abbreviation used in this manual, as well as their meanings, are shown as follows.

A/B	Air Bag
ABS	Antilock Brake System
A/C	Air Conditioner
A/F	Air Fuel ratio
AT	Automatic Transmission
ATF	Automatic Transmission Fluid
FWD	Front Wheel Drive
AWD	All Wheel Drive
BJ	Ball fixed Joint
Carb.	Carburetor model
CM	Control Module
CP	Complete
CVT	Continuously Variable Transmission
CVTF	Continuously Variable Transmission Fluid
DE	Diesel Engine
DO	Double Over Head Camshafts
DOJ	Double Offset Joint
DPF	Diesel Particulate Filter
DRL	Daytime Running Lights
ECVT	Electro Continuously Variable Transmission
EGR	Exhaust Gas Recirculation
FTJ	Free ring Tripod Joint
GPS	Global Positioning System
H6	6 cylinder engine Horizontal opposite type
HU	Hydraulic control Unit
LH	Left Hand side
LHD	Left Hand Drive
LSD	Limited Slip Differential
MPFI	Multi Point Fuel Injection
MT	Manual Transmission
PCV	Positive Crankcase Ventilation
P/S	Power Steering
PTC	Positive Temperature Coefficient
OH	Overhaul
RH	Right Hand side
RHD	Right Hand Drive
SDN	Sedan
SFJ	Shudderless Free ring Joint
TC	Turbocharger
TJ	Tripod Joint
VDC	Vehicle Dynamic Control system
VDCCM	Vehicle Dynamic Control Control Module
WGN	Station Wagon
STI	Impreza WRX STI model
XV	Impreza XV model

Standard Labor Table

PART 1

Justy, TREZIA, IMPREZA, LEGACY, FORESTER,
TRIBECA, EXIGA, SVX

PART 2

J Series, VIVIO, E12, MV

PART 3

Items common to all models

PART 1

(Justy, TREZIA, IMPREZA, LEGACY, FORESTER, TRIBECA, EXIGA, SVX)

Maintenance	PM PERIODIC MAINTENANCE SERVICES	
Engine	FU FUEL INJECTION (FUEL SYSTEMS)	
	CAB CARBURETOR	
	EC EMISSION CONTROL (AUX. EMISSION CONTROL DEVICES)	
	IN INTAKE (INDUCTION)	
	ME MECHANICAL	
	EX EXHAUST	
	CO COOLING	
	LU LUBRICATION	
	SP SPEED CONTROL SYSTEMS	
	IG IGNITION	
	SC STARTING / CHARGING SYSTEMS	
	Transmission	CS CONTROL SYSTEM
		CVT CONTINUOUSLY VARIABLE TRANSMISSION
AT AUTOMATIC TRANSMISSION		
MT MANUAL TRANSMISSION AND DIFFERENTIAL		
CL CLUTCH SYSTEM		
Chassis	FS FRONT SUSPENSION	
	RS REAR SUSPENSION	
	WT WHEEL AND TIRE SYSTEM	
	AS AIR SUSPENSION	
	DI DIFFERENTIALS	
	DS DRIVE SHAFT SYSTEM	
	ABS ABS	
	VDC VEHICLE DYNAMICS CONTROL (VDC)	
	BR BRAKE	
	PB PARKING BRAKE	
	PS POWER ASSISTED SYSTEM (POWER STEERING)	
	Body and Accessory	AC HVAC SYSTEM (HEATER, VENTILATOR AND A/C)
		AB AIRBAG SYSTEM
SB SEAT BELT SYSTEM		
LI LIGHTING SYSTEM		
WW WIPER AND WASHER SYSTEMS		
ET ENTERTAINMENT		
COM COMMUNICATION SYSTEM		
GW GLASS / WINDOWS / MIRRORS		
IDI INSTRUMENTATION / DRIVER INFO		
SE SEATS		
SL SECURITY AND LOCKS		
SR SUNROOF / T-TOP / CONVERTIBLE TOP (SUNROOF)		
EI EXTERIOR / INTERIOR TRIM		
EB EXTERIOR BODY PANELS		
CC CRUISE CONTROL SYSTEM		
ES EYE SIGHT		

PART 1 (Justy, TREZIA, IMPREZA, LEGACY, FORESTER, TRIBECA, EXIGA, SVX)

Wiring

WI WIRING SYSTEM

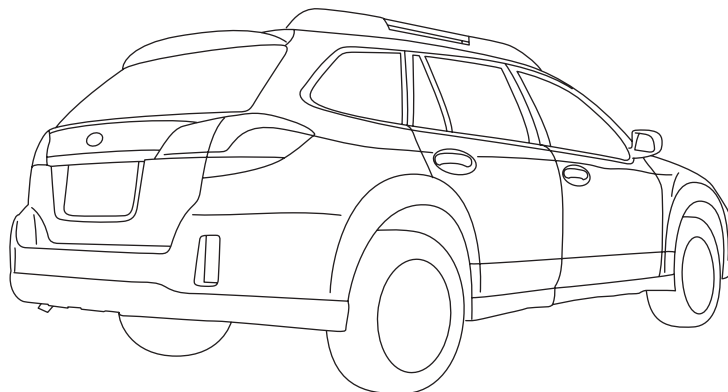
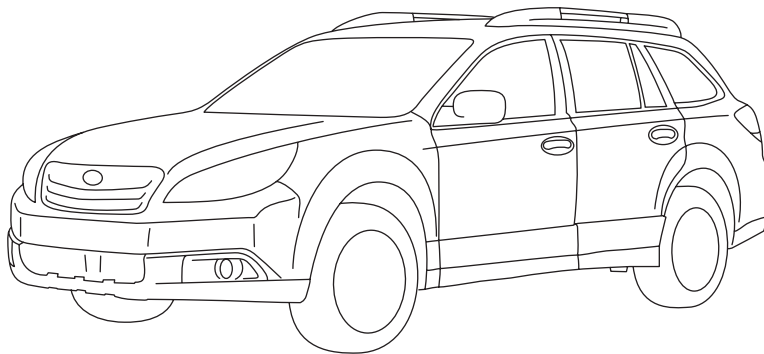
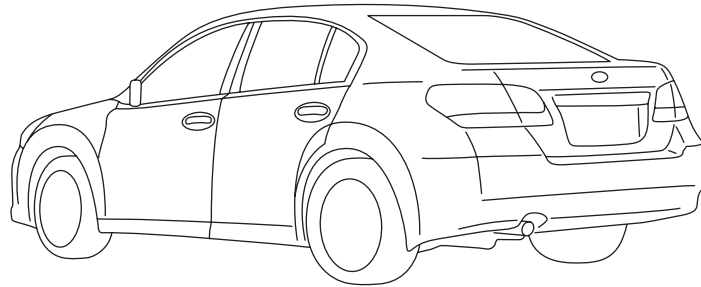
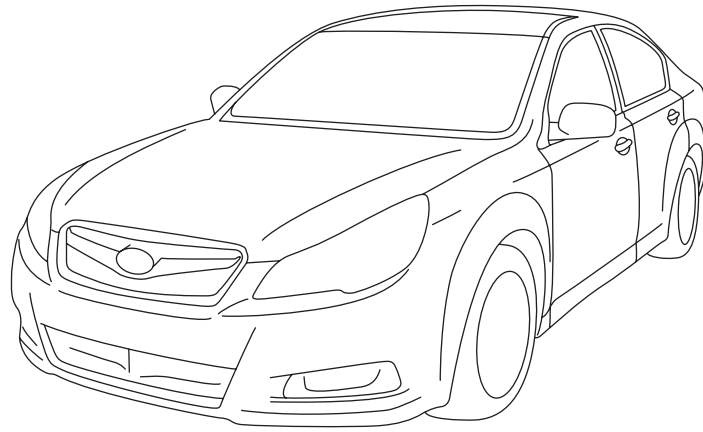
ELG ELECTRICAL LOCATION GRID



PM

PERIODIC MAINTENANCE SERVICES

Table



PM

No.	Work No.	Vehicle Information	Work Description	TIME (HOURS)										
				Justy			TRE ZIA	IMPREZA				LEGACY		
				1	2	3		1	2	3	4	1	2	
1*	PM0006N	H6	5,000 km (3,000 miles)	-	-	-	-	-	-	-	-	-	-	-
2*	PM0002N		12 Months (15,000 km) 9,000 miles	1.0	1.0	1.0	0.4	1.0	1.0	1.0	-	1.0	1.0	
	PM0002N	DO TC	12 Months (15,000 km) 9,000 miles	-	-	-	-	1.0	1.0	1.0	-	1.0	-	
	PM0002N	H6	12 Months (15,000 km) 9,000 miles	-	-	-	-	-	-	-	-	-	-	
	PM0002N	DE	12 Months (15,000 km) 9,000 miles	-	-	-	0.2	-	-	1.1	1.1	-	-	
	PM0002N	H4-FB	12 Months (15,000 km) 9,000 miles	-	-	-	-	-	-	-	1.1	-	-	
3*	PM0003N		24 Months (30,000 km) 19,000 miles	2.7	2.7	2.3	1.1	2.8	2.8	2.8	-	2.8	2.8	
	PM0003N	DO TC	24 Months (30,000 km) 19,000 miles	-	-	-	-	2.8	2.8	2.8	-	2.8	-	
	PM0003N	H6	24 Months (30,000 km) 19,000 miles	-	-	-	-	-	-	-	-	-	-	
	PM0003N	DE	24 Months (30,000 km) 19,000 miles	-	-	-	1.0	-	-	2.4	2.4	-	-	
	PM0003N	H4-FB	24 Months (30,000 km) 19,000 miles	-	-	-	-	-	-	-	2.8	-	-	
4*	PM0004N		36 Months (45,000 km) 28,000 miles	1.0	1.0	1.7	0.8	1.0	1.0	1.0	-	1.0	1.0	
	PM0004N	DO TC	36 Months (45,000 km) 28,000 miles	-	-	-	-	1.0	1.0	1.0	-	1.0	-	
	PM0004N	H6	36 Months (45,000 km) 28,000 miles	-	-	-	-	-	-	-	-	-	-	
	PM0004N	DE	36 Months (45,000 km) 28,000 miles	-	-	-	1.0	-	-	1.2	1.2	-	-	
	PM0004N	H4-FB	36 Months (45,000 km) 28,000 miles	-	-	-	-	-	-	-	1.0	-	-	
5*	PM0005N		48 Months (60,000 km) 38,000 miles	3.2	3.2	2.3	1.1	3.3	3.3	2.9	-	3.3	3.3	
	PM0005N	DO TC	48 Months (60,000 km) 38,000 miles	-	-	-	-	3.3	3.3	2.9	-	3.3	-	
	PM0005N	H6	48 Months (60,000 km) 38,000 miles	-	-	-	-	-	-	-	-	-	-	
	PM0005N	DE	48 Months (60,000 km) 38,000 miles	-	-	-	1.6	-	-	2.8	2.8	-	-	
	PM0005N	H4-FB	48 Months (60,000 km) 38,000 miles	-	-	-	-	-	-	-	2.9	-	-	
6*	PM0007N		60 Months (75,000 km) 47,000 miles	1.0	1.0	1.0	0.4	1.0	1.0	1.0	-	1.0	1.0	
	PM0007N	DO TC	60 Months (75,000 km) 47,000 miles	-	-	-	-	1.0	1.0	1.0	-	1.0	-	
	PM0007N	H6	60 Months (75,000 km) 47,000 miles	-	-	-	-	-	-	-	-	-	-	
	PM0007N	DE	60 Months (75,000 km) 47,000 miles	-	-	-	0.2	-	-	1.2	1.2	-	-	
	PM0007N	H4-FB	60 Months (75,000 km) 47,000 miles	-	-	-	-	-	-	-	1.0	-	-	
7*	PM0008N		72 Months (90,000 km) 56,000 miles	2.7	2.7	2.8	1.7	2.8	2.8	2.8	-	2.8	2.8	
	PM0008N	DO TC	72 Months (90,000 km) 56,000 miles	-	-	-	-	2.8	2.8	2.8	-	2.8	-	
	PM0008N	H6	72 Months (90,000 km) 56,000 miles	-	-	-	-	-	-	-	-	-	-	
	PM0008N	DE	72 Months (90,000 km) 56,000 miles	-	-	-	1.6	-	-	2.5	2.5	-	-	
	PM0008N	H4-FB	72 Months (90,000 km) 56,000 miles	-	-	-	-	-	-	-	2.8	-	-	
8*	PM0009N		84 Months (105,000 km) 66,000 miles	3.1	1.3	-	0.4	2.7	2.7	1.7	-	2.7	2.7	
	PM0009N	DO TC	84 Months (105,000 km) 66,000 miles	-	-	-	-	2.9	2.9	1.8	-	2.9	-	
	PM0009N	H6	84 Months (105,000 km) 66,000 miles	-	-	-	-	-	-	-	-	-	-	
	PM0009N	DE	84 Months (105,000 km) 66,000 miles	-	-	-	0.3	-	-	1.2	1.2	-	-	
	PM0009N	H4-FB	84 Months (105,000 km) 66,000 miles	-	-	-	-	-	-	-	1.3	-	-	

PM

No.	Work No.	Vehicle Information	Work Description	TIME (HOURS)								
				LEGACY			FORESTER			TRIB ECA	EXI GA	SVX
				3	4	5	1	2	3			
1*	PM0006N	H6	5,000 km (3,000 miles)	0.3	0.3	0.3	-	-	-	0.3	-	-
2*	PM0002N		12 Months (15,000 km) 9,000 miles	1.0	1.0	1.0	1.0	1.0	1.0	-	1.0	-
	PM0002N	DO TC	12 Months (15,000 km) 9,000 miles	-	1.0	1.0	1.0	1.0	1.0	-	-	-
	PM0002N	H6	12 Months (15,000 km) 9,000 miles	0.9	0.9	0.9	-	-	-	0.9	-	1.0
	PM0002N	DE	12 Months (15,000 km) 9,000 miles	-	1.1	1.1	-	-	1.1	-	-	-
	PM0002N	H4-FB	12 Months (15,000 km) 9,000 miles	-	-	-	-	-	1.0	-	-	-
3*	PM0003N		24 Months (30,000 km) 19,000 miles	2.8	2.8	2.8	2.8	2.8	2.8	-	2.8	-
	PM0003N	DO TC	24 Months (30,000 km) 19,000 miles	-	2.8	2.8	2.8	2.8	2.8	-	-	-
	PM0003N	H6	24 Months (30,000 km) 19,000 miles	2.7	2.7	2.7	-	-	-	2.7	-	2.8
	PM0003N	DE	24 Months (30,000 km) 19,000 miles	-	2.4	2.4	-	-	2.4	-	-	-
	PM0003N	H4-FB	24 Months (30,000 km) 19,000 miles	-	-	-	-	-	2.8	-	-	-
4*	PM0004N		36 Months (45,000 km) 28,000 miles	1.0	1.0	1.0	1.0	1.0	1.0	-	1.0	-
	PM0004N	DO TC	36 Months (45,000 km) 28,000 miles	-	1.0	1.0	1.0	1.0	1.0	-	-	-
	PM0004N	H6	36 Months (45,000 km) 28,000 miles	0.9	0.9	0.9	-	-	-	0.9	-	1.0
	PM0004N	DE	36 Months (45,000 km) 28,000 miles	-	1.2	1.2	-	-	1.2	-	-	-
	PM0004N	H4-FB	36 Months (45,000 km) 28,000 miles	-	-	-	-	-	1.0	-	-	-
5*	PM0005N		48 Months (60,000 km) 38,000 miles	3.3	3.3	2.9	3.3	3.3	2.9	-	2.9	-
	PM0005N	DO TC	48 Months (60,000 km) 38,000 miles	-	3.3	2.9	3.3	3.3	2.9	-	-	-
	PM0005N	H6	48 Months (60,000 km) 38,000 miles	3.2	3.2	2.8	-	-	-	3.2	-	-
	PM0005N	DE	48 Months (60,000 km) 38,000 miles	-	2.8	2.8	-	-	2.8	-	-	-
	PM0005N	H4-FB	48 Months (60,000 km) 38,000 miles	-	-	-	-	-	2.9	-	-	-
6*	PM0007N		60 Months (75,000 km) 47,000 miles	1.0	1.0	1.0	1.0	1.0	1.0	-	1.0	-
	PM0007N	DO TC	60 Months (75,000 km) 47,000 miles	-	1.0	1.0	1.0	1.0	1.0	-	-	-
	PM0007N	H6	60 Months (75,000 km) 47,000 miles	0.9	0.9	0.9	-	-	-	0.9	-	-
	PM0007N	DE	60 Months (75,000 km) 47,000 miles	-	1.2	1.2	-	-	1.2	-	-	-
	PM0007N	H4-FB	60 Months (75,000 km) 47,000 miles	-	-	-	-	-	1.0	-	-	-
7*	PM0008N		72 Months (90,000 km) 56,000 miles	2.8	2.8	2.8	2.8	2.8	2.8	-	2.8	-
	PM0008N	DO TC	72 Months (90,000 km) 56,000 miles	-	2.8	2.8	2.8	2.8	2.8	-	-	-
	PM0008N	H6	72 Months (90,000 km) 56,000 miles	2.7	2.7	2.7	-	-	-	2.7	-	-
	PM0008N	DE	72 Months (90,000 km) 56,000 miles	-	2.5	2.5	-	-	2.5	-	-	-
	PM0008N	H4-FB	72 Months (90,000 km) 56,000 miles	-	-	-	-	-	2.8	-	-	-
8*	PM0009N		84 Months (105,000 km) 66,000 miles	2.7	2.7	1.7	2.7	2.7	1.7	-	1.7	-
	PM0009N	DO TC	84 Months (105,000 km) 66,000 miles	-	2.9	1.8	2.9	2.9	1.8	-	-	-
	PM0009N	H6	84 Months (105,000 km) 66,000 miles	1.6	1.6	2.0	-	-	-	1.6	-	-
	PM0009N	DE	84 Months (105,000 km) 66,000 miles	-	1.2	1.2	-	-	1.2	-	-	-
	PM0009N	H4-FB	84 Months (105,000 km) 66,000 miles	-	-	-	-	-	1.7	-	-	-

PM

No.	Work No.	Vehicle Information	Work Description	TIME (HOURS)									
				Justy			TRE ZIA	IMPREZA				LEGACY	
				1	2	3		1	2	3	4	1	2
9*	PM0010N		96 Months (120,000 km) 75,000 miles	3.0	3.0	-	1.1	3.1	3.1	3.1	-	3.1	3.1
	PM0010N	DO TC	96 Months (120,000 km) 75,000 miles	-	-	-	-	3.1	3.1	3.1	-	3.1	-
	PM0010N	H6	96 Months (120,000 km) 75,000 miles	-	-	-	-	-	-	-	-	-	-
	PM0010N	DE	96 Months (120,000 km) 75,000 miles	-	-	-	1.6	-	-	2.8	2.8	-	-
	PM0010N	H4-FB	96 Months (120,000 km) 75,000 miles	-	-	-	-	-	-	-	3.1	-	-

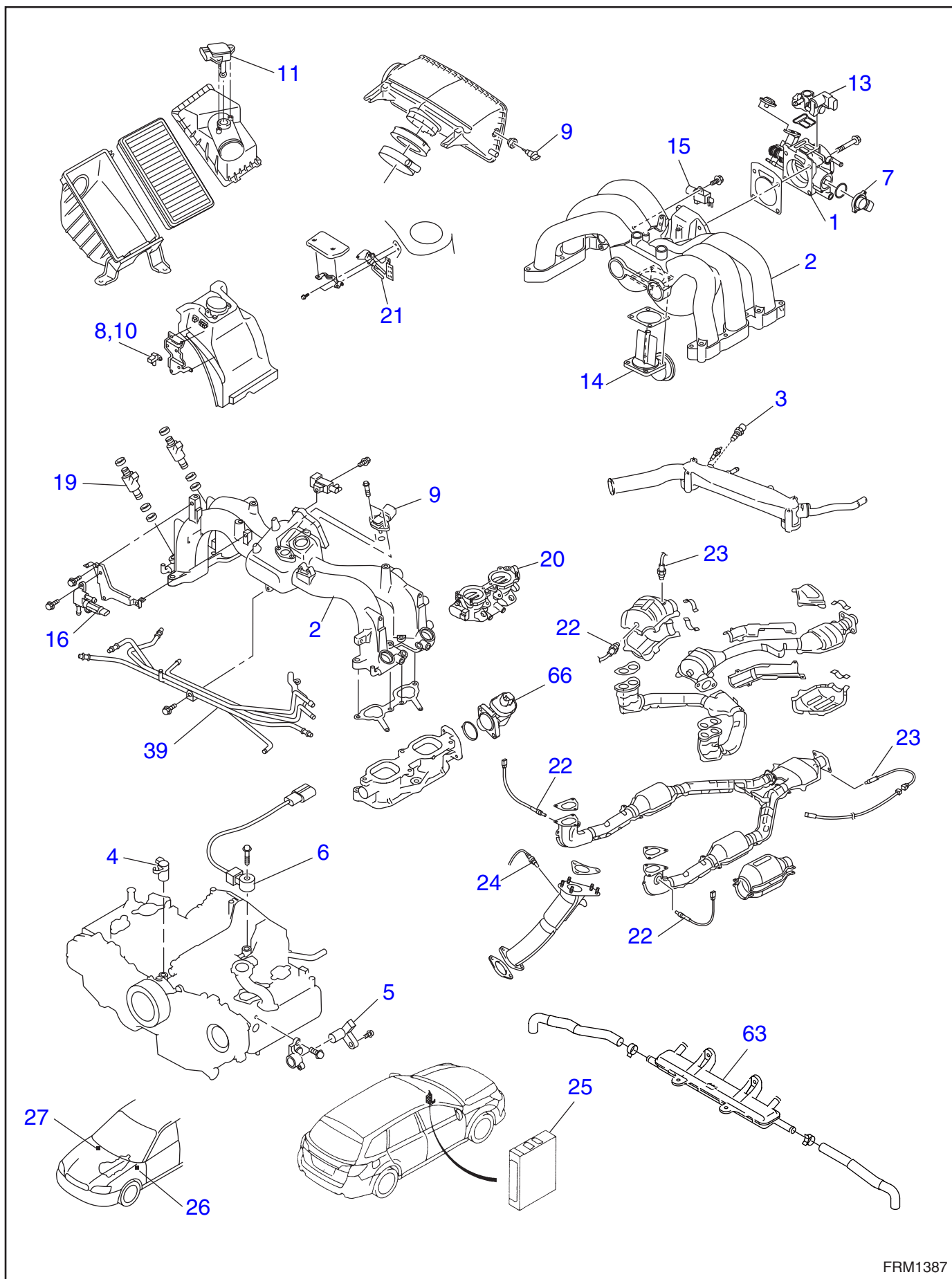
PM

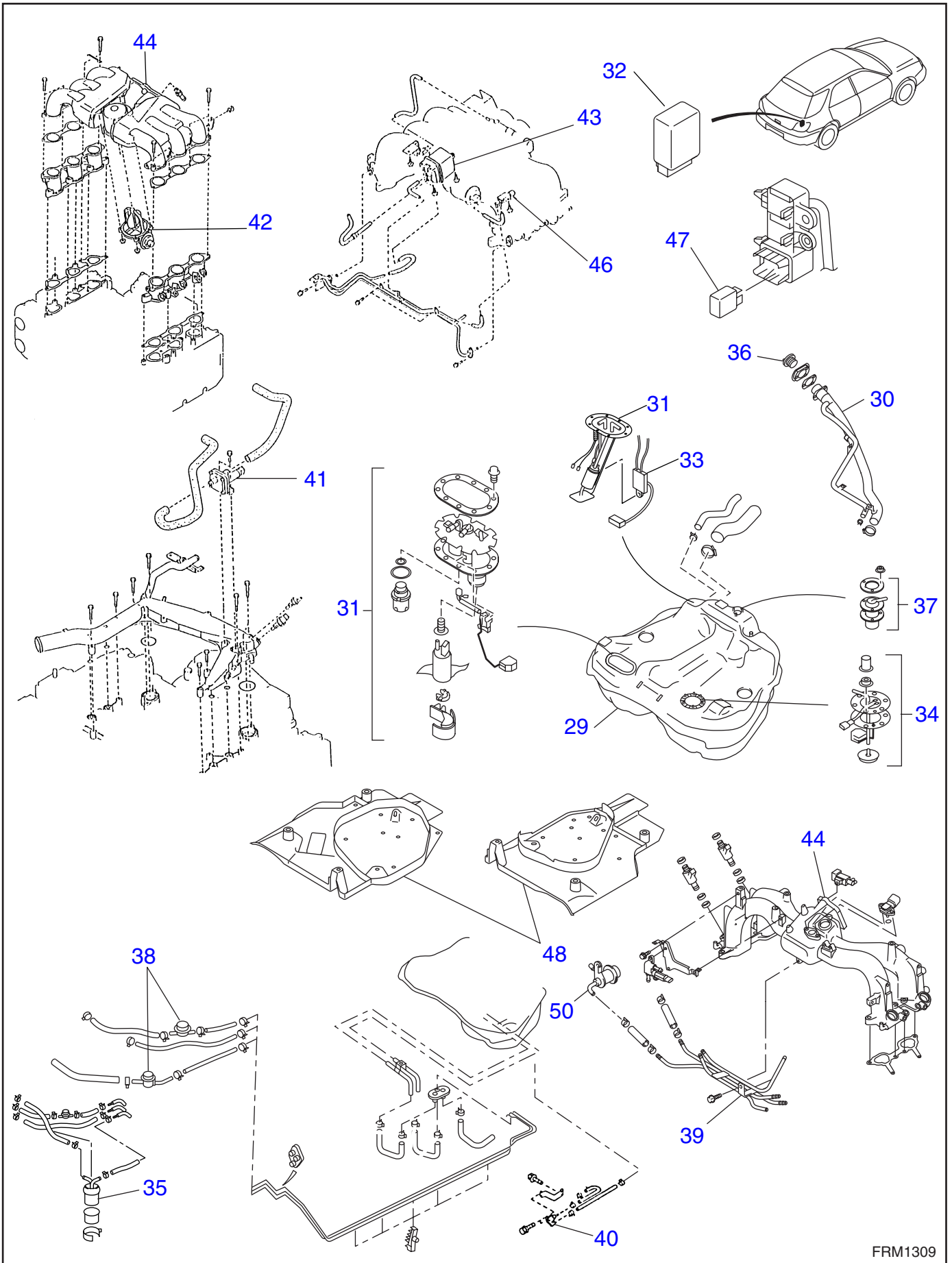
No.	Work No.	Vehicle Information	Work Description	TIME (HOURS)								
				LEGACY			FORESTER			TRIB ECA	EXI GA	SVX
				3	4	5	1	2	3			
9*	PM0010N		96 Months (120,000 km) 75,000 miles	3.1	3.1	3.1	3.1	3.1	3.1	-	3.1	-
	PM0010N	DO TC	96 Months (120,000 km) 75,000 miles	-	3.1	3.1	3.1	3.1	3.1	-	-	-
	PM0010N	H6	96 Months (120,000 km) 75,000 miles	3.0	3.0	3.0	-	-	-	3.0	-	-
	PM0010N	DE	96 Months (120,000 km) 75,000 miles	-	2.8	2.8	-	-	2.8	-	-	-
	PM0010N	H4-FB	96 Months (120,000 km) 75,000 miles	-	-	-	-	-	3.1	-	-	-

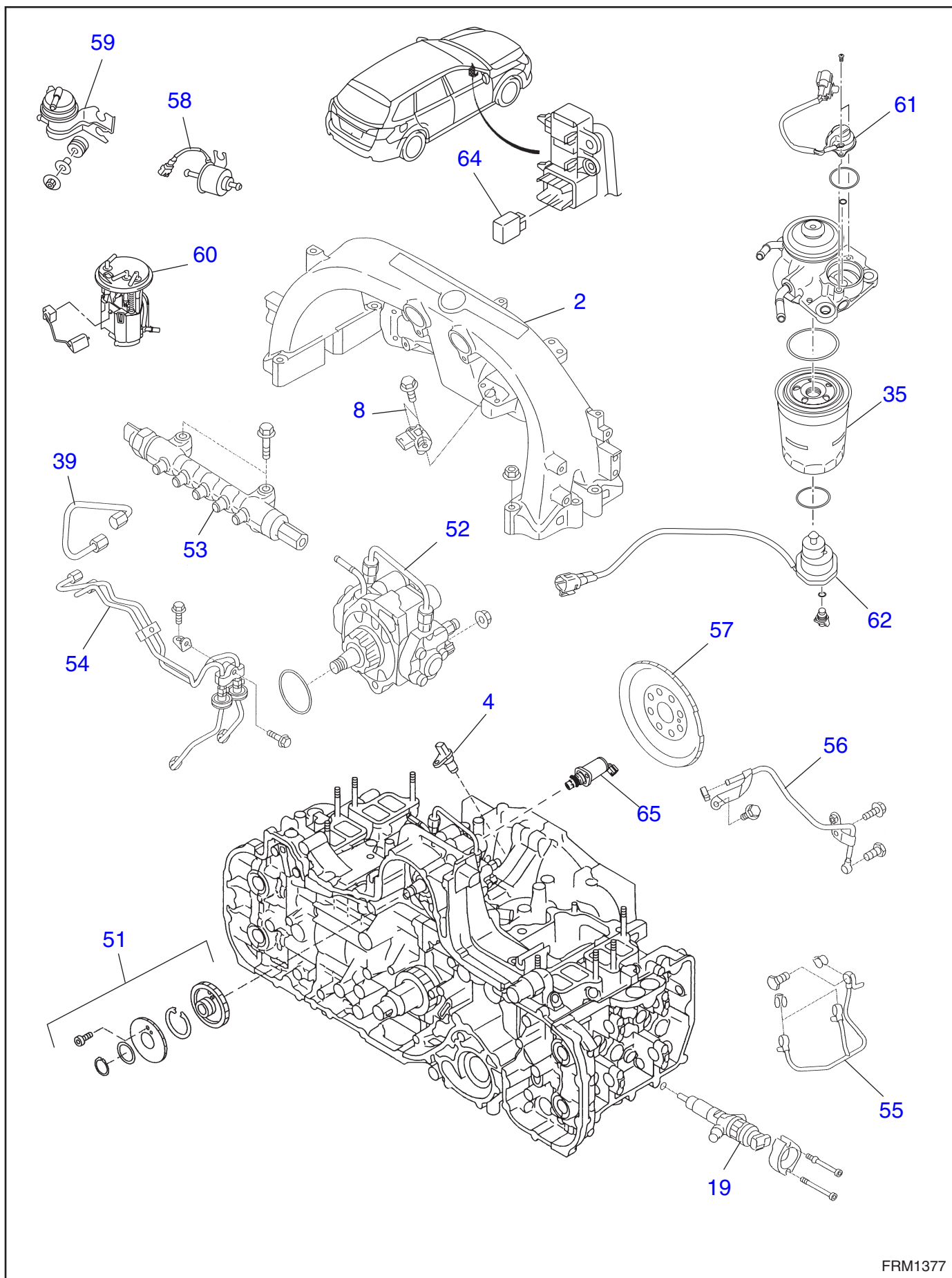
FU



FUEL INJECTION (FUEL SYSTEMS)







FU

No.	Work No.	Vehicle Information	Work Description	TIME (HOURS)									
				Justy			TRE ZIA	IMPREZA				LEGACY	
				1	2	3		1	2	3	4	1	2
1	FU0001R		Throttle body	0.7	0.8	0.4	1.0	0.4	0.4	0.4	0.4	0.4	0.4
	FU0001R	DO TC	Throttle body	-	-	-	-	0.5	0.5	1.0	-	0.5	-
	FU0001R	DE	Throttle body	-	-	-	1.5	-	-	0.3	0.3	-	-
2	FU0002R		Intake manifold	2.1	2.6	1.3	1.3	1.5	1.4	1.0	-	1.5	1.6
	FU0002R	DO TC	Intake manifold	-	-	-	-	1.6	2.4	1.8	-	1.6	-
	FU0002R	H6	Intake manifold	-	-	-	-	-	-	-	-	-	1.1
	FU0002R	DE	Intake manifold	-	-	-	-	-	-	1.2	1.2	-	-
	FU0002R	H4-FB	Intake manifold	-	-	-	-	-	-	-	1.1	-	-
3	FU0003R		Engine coolant temperature sensor	0.3	0.5	0.3	-	0.2	0.2	0.4	-	0.2	0.2
	FU0003R	H4-FB	Engine coolant temperature sensor	-	-	-	-	-	-	-	0.5	-	-
4	FU0004R		Crankshaft position sensor	0.3	0.7	-	-	0.6	0.4	0.2	-	0.6	0.6
	FU0004R	H6	Crankshaft position sensor	-	-	-	-	-	-	-	-	-	-
	FU0004R	DE	Crankshaft position sensor	-	-	-	-	-	-	1.2	1.2	-	-
	FU0004R	H4-FB	Crankshaft position sensor	-	-	-	-	-	-	-	0.3	-	-
5	FU0005R		Camshaft position sensor	0.3	0.3	0.4	-	0.1	0.1	0.2	-	0.1	0.1
	FU0005R	H6	Camshaft position sensor	-	-	-	-	-	-	-	-	-	-
	FU0005R	DE	Camshaft position sensor	-	-	-	-	-	-	0.2	0.2	-	-
6	FU0006R		Knock sensor	-	0.5	-	1.4	0.3	0.3	0.3	0.3	0.3	0.3
	FU0006R	H6	Knock sensor	-	-	-	-	-	-	-	-	-	-
7	FU0007A		Throttle position sensor	-	-	-	-	-	0.2	-	-	-	-
	FU0007R		Throttle position sensor	0.5	0.9	0.3	-	0.2	0.2	-	-	0.2	0.2
	FU0007R	H6	Throttle position sensor	-	-	-	-	-	-	-	-	-	-
8	FU0008R		Pressure sensor	0.2	0.4	0.4	-	0.1	0.1	0.1	0.1	0.1	0.2
	FU0008R	DE	Pressure sensor	-	-	-	-	-	-	0.1	0.1	-	-
9	FU0009R		Intake air temperature and pressure sensor	-	0.3	-	-	-	0.1	0.1	0.1	-	-
10	FU0010R		Atmospheric pressure sensor	-	-	-	-	-	0.1	-	-	-	-
11	FU0011R		Mass air flow sensor	0.5	-	-	0.5	0.2	0.2	0.1	0.1	0.2	0.2
12*	FU0012R		Mass air flow and intake air temperature sensor	-	-	-	-	-	0.2	0.1	-	-	-
13	FU0013R		Idle air control valve (ISC solenoid valve)	0.4	0.9	1.1	-	0.2	0.2	-	-	0.3	0.2
14	FU0014R		Induction valve	-	-	-	-	-	-	-	-	-	-
15	FU0015R		Induction valve control solenoid	-	-	-	-	-	-	-	-	-	-
16	FU0016R		Air assist injector solenoid	-	-	-	-	-	0.2	-	-	-	-
17*	FU0017M		Fuel pressure	0.4	0.4	-	-	0.4	0.4	0.4	0.4	0.4	0.4

FU

No.	Work No.	Vehicle Information	Work Description	TIME (HOURS)									
				LEGACY			FORESTER			TRIB ECA	EXI GA	SVX	
				3	4	5	1	2	3				
1	FU0001R		Throttle body	0.4	0.4	0.4	0.4	0.4	0.4	0.4	0.4	0.4	1.1
	FU0001R	DO TC	Throttle body	-	1.0	1.0	0.5	0.5	1.0	-	-	-	-
	FU0001R	DE	Throttle body	-	0.3	0.3	-	-	0.3	-	-	-	-
2	FU0002R		Intake manifold	1.4	1.0	1.5	1.5	1.4	1.0	-	1.0	-	-
	FU0002R	DO TC	Intake manifold	-	1.8	3.0	1.6	1.8	1.8	-	-	-	-
	FU0002R	H6	Intake manifold	1.6	1.1	1.6	-	-	-	1.1	-	2.1	-
	FU0002R	DE	Intake manifold	-	1.2	1.2	-	-	1.2	-	-	-	-
	FU0002R	H4-FB	Intake manifold	-	-	-	-	-	1.1	-	-	-	-
3	FU0003R		Engine coolant temperature sensor	0.2	0.4	0.4	0.2	0.2	0.4	0.2	0.4	0.3	-
	FU0003R	H4-FB	Engine coolant temperature sensor	-	-	-	-	-	0.5	-	-	-	-
4	FU0004R		Crankshaft position sensor	0.4	0.2	0.2	0.6	0.4	0.2	-	0.2	-	-
	FU0004R	H6	Crankshaft position sensor	0.3	0.3	0.4	-	-	-	0.3	-	0.4	-
	FU0004R	DE	Crankshaft position sensor	-	1.2	1.2	-	-	1.2	-	-	-	-
	FU0004R	H4-FB	Crankshaft position sensor	-	-	-	-	-	0.3	-	-	-	-
5	FU0005R		Camshaft position sensor	0.1	0.2	0.2	0.1	0.1	0.2	-	0.2	-	-
	FU0005R	H6	Camshaft position sensor	0.4	0.4	0.2	-	-	-	0.4	-	0.2	-
	FU0005R	DE	Camshaft position sensor	-	0.2	0.2	-	-	0.2	-	-	-	-
6	FU0006R		Knock sensor	0.3	0.3	0.3	0.3	0.3	0.3	-	0.3	-	-
	FU0006R	H6	Knock sensor	1.2	0.8	0.3	-	-	-	1.1	-	1.9	-
7	FU0007A		Throttle position sensor	0.2	-	-	-	0.2	-	-	-	-	-
	FU0007R		Throttle position sensor	0.2	-	-	0.2	0.2	-	-	-	-	-
	FU0007R	H6	Throttle position sensor	0.1	-	-	-	-	-	-	-	0.2	-
8	FU0008R		Pressure sensor	0.2	0.2	0.1	0.1	0.1	0.1	0.2	0.1	-	-
	FU0008R	DE	Pressure sensor	-	0.1	0.1	-	-	0.1	-	-	-	-
9	FU0009R		Intake air temperature and pressure sensor	0.1	0.1	0.1	-	0.1	0.1	0.1	0.1	-	-
10	FU0010R		Atmospheric pressure sensor	0.1	-	-	-	0.1	-	-	-	-	-
11	FU0011R		Mass air flow sensor	0.2	0.1	0.1	0.2	0.2	0.1	0.1	0.1	0.1	0.1
12*	FU0012R		Mass air flow and intake air temperature sensor	-	0.1	0.1	-	0.2	0.1	0.2	0.1	-	-
13	FU0013R		Idle air control valve (ISC solenoid valve)	0.2	-	-	0.2	0.2	-	-	-	-	1.1
14	FU0014R		Induction valve	1.6	-	-	-	-	-	-	-	-	-
15	FU0015R		Induction valve control solenoid	1.6	-	-	-	-	-	-	-	-	-
16	FU0016R		Air assist injector solenoid	0.2	-	-	-	0.2	-	-	-	-	-
17*	FU0017M		Fuel pressure	0.4	0.4	0.4	0.4	0.4	0.4	0.4	0.4	0.4	0.4

FU

No.	Work No.	Vehicle Information	Work Description	TIME (HOURS)									
				Justy			TRE ZIA	IMPREZA				LEGACY	
				1	2	3		1	2	3	4	1	2
19	FU0019R		Fuel injector / One side	-	-	-	0.7	-	0.6	0.4	0.4	-	-
	FU00196		Fuel injector / Both side	1.3	0.6	0.5	-	0.5	0.8	0.6	0.7	0.3	0.6
	FU0019R	DO TC	Fuel injector / One side	-	-	-	-	1.2	1.2	0.6	-	-	-
	FU00196	DO TC	Fuel injector / Both side	-	-	-	-	1.8	1.8	1.0	-	0.8	-
	FU0019R	H6	Fuel injector / One side	-	-	-	-	-	-	-	-	-	-
	FU00196	H6	Fuel injector / Both side	-	-	-	-	-	-	-	-	-	-
	FU0019R	DE	Fuel injector and gasket / One side	-	-	-	2.1	-	-	6.0	6.0	-	-
	FU00196	DE	Fuel injector and gasket / Both side	-	-	-	-	-	-	6.7	6.7	-	-
20	FU0020R		Tumble generator valve / One side	-	-	-	-	-	1.7	1.7	-	-	-
	FU00205		Tumble generator valve / Opposite side	-	-	-	-	-	0.2	0.2	-	-	-
	FU0020R	DO TC	Tumble generator valve / One side	-	-	-	-	-	2.6	2.6	-	-	-
	FU00205	DO TC	Tumble generator valve / Opposite side	-	-	-	-	-	0.2	0.2	-	-	-
	FU0020R	H4-FB	Tumble generator valve / One side	-	-	-	-	-	-	-	1.3	-	-
	FU00205	H4-FB	Tumble generator valve / Opposite side	-	-	-	-	-	-	-	0.2	-	-
21	FU0021R	DO TC	Wastegate control solenoid	-	-	-	-	0.2	0.2	0.2	-	0.2	-
22	FU0022R		A/F sensor (O ₂ sensor)	0.5	0.7	0.3	0.8	0.2	0.3	0.6	0.6	0.2	0.2
23	FU0023R		Rear O ₂ sensor	-	-	-	0.7	0.3	0.3	0.2	0.2	0.3	0.3
24	FU0024R		Exhaust temperature sensor	-	-	-	-	-	1.0	0.6	-	-	-
25	FU0025R		Engine CM	-	0.5	0.4	0.9	0.3	0.3	0.5	0.4	0.3	0.3
	FU0025R	DO TC	Engine CM	-	-	-	-	0.3	0.3	0.5	-	0.3	-
	FU0025R	H6	Engine CM	-	-	-	-	-	-	-	-	-	-
	FU0025R	DE	Engine CM (Not include DPF exchange work)	-	-	-	0.8	-	-	0.6	0.4	-	-
	FU0025Z		CM Reprogramming (Include Transmission control unit)	-	-	-	-	-	0.4	0.4	0.4	-	-
	FU00251		CM Reprogramming (Both of Engine CM and Transmission control unit at the same time)	-	-	-	-	-	0.6	0.6	0.6	-	-
26	FU0026R		Main relay	-	-	0.2	0.2	0.2	0.2	0.2	0.2	0.4	0.2
27	FU0027R		Fuel pump relay	0.3	0.2	-	-	0.2	0.2	0.3	0.3	0.3	0.2
28*	FU0028R		Fuel drain (with drain plug)	-	-	-	-	-	0.3	-	-	-	-
	FU0028Z	SDN	Fuel drain (without drain plug)	-	-	-	-	-	0.7	1.4	0.8	-	-
	FU0028Z	WGN	Fuel drain (without drain plug)	-	-	-	-	-	0.7	0.8	0.8	-	-
29	FU0029R	FWD	Fuel tank	2.6	1.0	1.3	2.0	2.2	2.0	2.1	1.2	2.2	2.3
	FU0029R	AWD	Fuel tank	2.6	1.0	1.3	-	2.9	2.7	2.4	1.7	2.9	3.0
30	FU0030R		Fuel filler pipe	0.9	0.3	-	-	0.3	0.3	1.4	1.4	0.3	0.3
31	FU0031R		Fuel pump Assy	2.6	1.0	0.6	1.3	0.3	0.4	0.7	0.7	0.3	0.4
32	FU0032R		Fuel pump controller	-	-	-	-	-	0.3	-	-	-	-
33	FU0033R		Fuel meter unit	2.6	1.0	0.5	1.2	0.3	0.4	0.8	0.8	0.3	0.4
34	FU0034R		Sub fuel meter unit	-	-	-	-	0.3	0.4	0.8	0.8	0.3	0.4
35	FU0035R		Fuel filter	0.6	1.0	-	1.3	0.3	0.4	0.9	0.9	0.3	0.4
	FU0035R	DE	Fuel filter	-	-	-	1.0	-	-	0.5	0.5	-	-

FU

No.	Work No.	Vehicle Information	Work Description	TIME (HOURS)								
				LEGACY			FORESTER			TRIB ECA	EXI GA	SVX
				3	4	5	1	2	3			
19	FU0019R		Fuel injector / One side	0.6	0.4	1.3	-	0.6	0.4	-	0.4	-
	FU00196		Fuel injector / Both side	0.8	0.6	1.5	0.5	0.8	0.7	-	0.6	-
	FU0019R	DO TC	Fuel injector / One side	-	-	2.3	-	1.6	0.6	-	-	-
	FU00196	DO TC	Fuel injector / Both side	-	0.8	2.5	1.8	2.2	1.0	-	-	-
	FU0019R	H6	Fuel injector / One side	0.6	0.6	0.6	-	-	-	0.6	-	-
	FU00196	H6	Fuel injector / Both side	1.0	0.9	0.9	-	-	-	0.9	-	1.0
	FU0019R	DE	Fuel injector and gasket / One side	-	6.0	6.4	-	-	6.0	-	-	-
	FU00196	DE	Fuel injector and gasket / Both side	-	6.7	7.1	-	-	6.7	-	-	-
20	FU0020R		Tumble generator valve / One side	-	1.7	1.7	-	1.7	1.7	-	1.7	-
	FU00205		Tumble generator valve / Opposite side	-	0.2	0.2	-	0.2	0.2	-	0.2	-
	FU0020R	DO TC	Tumble generator valve / One side	-	2.6	2.3	-	2.6	2.6	-	-	-
	FU00205	DO TC	Tumble generator valve / Opposite side	-	0.2	0.2	-	0.2	0.2	-	-	-
	FU0020R	H4-FB	Tumble generator valve / One side	-	-	-	-	-	1.3	-	-	-
	FU00205	H4-FB	Tumble generator valve / Opposite side	-	-	-	-	-	0.2	-	-	-
21	FU0021R	DO TC	Wastegate control solenoid	-	0.2	0.2	0.2	0.2	0.2	-	-	-
22	FU0022R		A/F sensor (O ₂ sensor)	0.3	0.7	0.6	0.2	0.3	0.6	0.5	0.6	0.3
23	FU0023R		Rear O ₂ sensor	0.3	0.3	0.2	0.3	0.3	0.2	0.3	0.2	-
24	FU0024R		Exhaust temperature sensor	-	-	-	-	1.0	0.6	-	0.6	-
25	FU0025R		Engine CM	0.3	0.5	0.6	0.3	0.3	0.5	0.5	0.6	0.5
	FU0025R	DO TC	Engine CM	-	0.5	0.6	0.3	0.3	0.5	-	-	-
	FU0025R	H6	Engine CM	0.3	0.5	0.6	-	-	-	0.5	-	0.5
	FU0025R	DE	Engine CM (Not include DPF exchange work)	-	0.5	0.3	-	-	0.6	-	-	-
	FU0025Z		CM Reprogramming (Include Transmission control unit)	0.4	0.4	0.4	0.4	0.4	0.4	0.4	0.4	-
	FU00251		CM Reprogramming (Both of Engine CM and Transmission control unit at the same time)	0.6	0.6	0.6	0.6	0.6	0.6	0.6	0.6	-
26	FU0026R		Main relay	0.2	0.2	0.2	0.2	0.2	0.2	0.3	0.2	-
27	FU0027R		Fuel pump relay	0.2	0.2	0.3	0.2	0.2	0.3	0.3	0.3	-
28*	FU0028R		Fuel drain (with drain plug)	0.3	0.4	-	-	0.6	-	0.4	-	-
	FU0028Z	SDN	Fuel drain (without drain plug)	-	0.9	0.8	-	0.6	-	0.9	-	-
	FU0028Z	WGN	Fuel drain (without drain plug)	-	0.9	0.8	-	0.6	0.8	0.9	0.8	-
29	FU0029R	FWD	Fuel tank	-	-	-	-	-	-	-	-	-
	FU0029R	AWD	Fuel tank	3.0	4.1	2.4	2.9	3.0	2.4	3.6	2.4	3.8
30	FU0030R		Fuel filler pipe	0.3	0.3	1.4	0.3	0.3	1.4	0.6	1.4	0.8
31	FU0031R		Fuel pump Assy	0.4	0.4	0.5	0.3	0.4	0.7	0.5	0.5	0.7
32	FU0032R		Fuel pump controller	-	0.6	-	-	0.3	-	0.4	-	-
33	FU0033R		Fuel meter unit	0.4	0.4	0.6	0.3	0.4	0.8	0.5	0.6	0.7
34	FU0034R		Sub fuel meter unit	0.4	0.4	0.6	0.3	0.4	0.8	0.5	0.6	0.7
35	FU0035R		Fuel filter	0.4	0.7	0.7	0.3	0.4	0.9	0.5	0.7	0.3
	FU0035R	DE	Fuel filter	-	0.5	0.5	-	-	0.5	-	-	-

FU

No.	Work No.	Vehicle Information	Work Description	TIME (HOURS)									
				Justy			TRE ZIA	IMPREZA				LEGACY	
				1	2	3		1	2	3	4	1	2
36	FU0036R		Fuel cap	0.1	0.1	0.2	0.1	0.1	0.1	0.1	0.1	0.1	0.1
37	FU0037R		Fuel cut valve	-	-	-	-	3.2	2.9	2.5	-	3.2	3.2
38	FU0038R		Fuel damper valve	-	-	-	-	-	0.2	0.3	-	-	0.2
39	FU0039R		Fuel delivery pipe Assy	-	-	-	-	1.8	1.9	2.0	-	1.8	1.9
	FU0039R	DE	Fuel delivery pipe Assy	-	-	-	-	-	-	1.2	1.6	-	-
	FU0039R	H4-FB	Fuel delivery pipe Assy	-	-	-	-	-	-	-	1.6	-	-
40	FU0040R		Roll over valve	-	-	-	-	0.2	-	-	-	-	0.2
41	FU0041R		Auxiliary air valve	-	-	-	-	-	-	-	-	-	-
42	FU0042R		Induction control valve Assy	-	-	-	-	-	-	-	-	-	-
43	FU0043R		Surge tank	-	-	-	-	-	-	-	-	-	-
44	FU0044R		Collector	-	-	-	-	-	-	-	-	-	-
46	FU0046R		Induction control valve	-	-	-	-	-	-	-	-	-	-
47	FU0047R		Throttle control relay	-	-	-	-	-	-	-	-	-	-
48	FU0048R		Fuel tank protector / One part	-	-	-	-	-	-	0.1	0.2	-	-
49*	FU00495		Fuel tank protector / All	-	-	-	-	-	-	0.1	0.3	-	-
50	FU0050R		Pressure regulator	-	-	-	1.4	-	0.3	1.1	-	-	-
	FU0050R	DO TC	Pressure regulator	-	-	-	-	-	0.3	1.8	-	-	-
51	FU0051R	DE	Fuel pump main gear and sub gear	-	-	-	-	-	-	3.7	3.7	-	-
52	FU0052R	DE	Fuel high pressure pump Assy and gasket	-	-	-	1.6	-	-	4.9	4.9	-	-
53	FU0053R	DE	Fuel common rail	-	-	-	-	-	-	7.7	7.7	-	-
54	FU0054R	DE	Fuel delivery pipe Assy (inside of rocker cover) / One side	-	-	-	0.5	-	-	6.5	6.5	-	-
	FU00545	DE	Fuel delivery pipe Assy (inside of rocker cover) / Opposite side	-	-	-	-	-	-	1.2	1.2	-	-
55	FU0055R	DE	Fuel return pipe (inside of rocker cover) / One side	-	-	-	-	-	-	6.5	6.5	-	-
56	FU0056R	DE	Fuel return pipe	-	-	-	-	-	-	1.3	1.3	-	-
57	FU0057R	DE	Crankshaft position sensor plate	-	-	-	-	-	-	4.9	4.9	-	-
58	FU0058R	DE	Sub fuel pump Assy (fuel tank side)	-	-	-	-	-	-	0.3	0.3	-	-
59	FU0059R	DE	Fuel pulsation damper	-	-	-	-	-	-	0.3	0.3	-	-
60	FU0060R	DE	Fuel level sensor	-	-	-	-	-	-	0.4	0.4	-	-
61	FU0061R	DE	Fuel heater	-	-	-	5.5	-	-	0.5	0.5	-	-
62	FU0062R	DE	Sediment level switch	-	-	-	-	-	-	0.5	0.5	-	-
63	FU0063R		PCV pipe Assy	-	-	-	-	-	-	-	-	-	-
64	FU0064R	DE	Fuel heater relay	-	-	-	-	-	-	0.2	0.3	-	-
65	FU0065R	DE	Fuel suction control valve	-	-	-	-	-	-	1.3	1.3	-	-
66	FU0066R	H4-FB	Tumble generator valve actuator	-	-	-	-	-	-	-	-	-	-
	FU0999Z		Other	**	**	**	**	**	**	**	**	**	**

FU

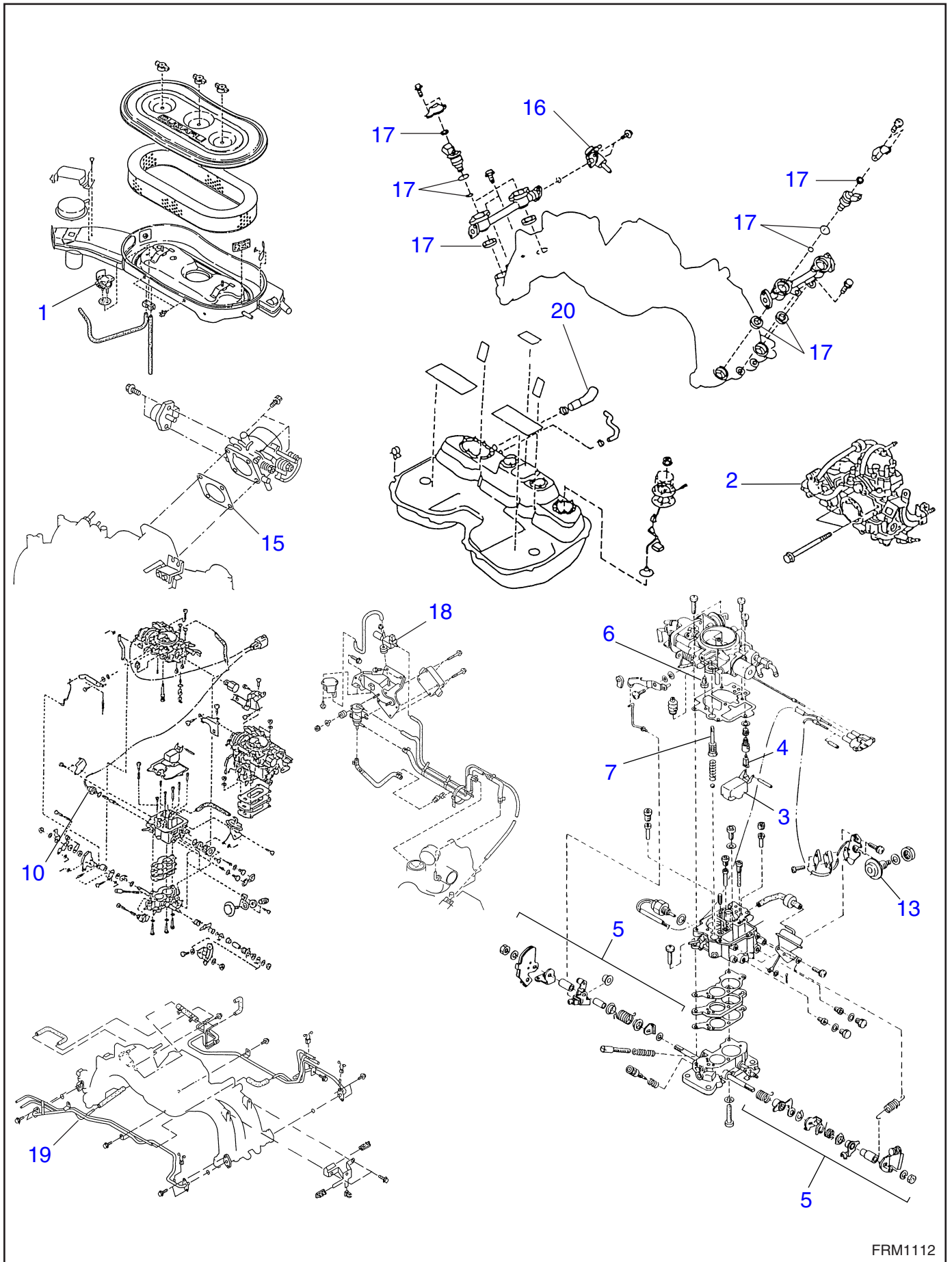
No.	Work No.	Vehicle Information	Work Description	TIME (HOURS)										
				LEGACY			FORESTER			TRIB ECA	EXI GA	SVX		
				3	4	5	1	2	3					
36	FU0036R		Fuel cap	0.1	0.1	0.1	0.1	0.1	0.1	0.1	0.1	0.1	0.1	0.2
37	FU0037R		Fuel cut valve	3.2	4.2	-	3.2	3.2	-	-	-	-	-	0.5
38	FU0038R		Fuel damper valve	0.2	0.3	0.3	-	0.2	0.3	-	0.3	-	0.3	-
39	FU0039R		Fuel delivery pipe Assy	1.9	1.9	2.0	1.8	1.9	2.0	1.9	2.0	1.9	2.0	2.2
	FU0039R	DE	Fuel delivery pipe Assy	-	1.2	1.2	-	-	1.2	-	-	-	-	-
	FU0039R	H4-FB	Fuel delivery pipe Assy	-	-	-	-	-	1.0	-	-	-	-	-
40	FU0040R		Roll over valve	-	-	-	0.2	-	-	-	-	-	-	-
41	FU0041R		Auxiliary air valve	-	-	-	-	-	-	-	-	-	-	2.1
42	FU0042R		Induction control valve Assy	-	-	-	-	-	-	-	-	-	-	1.9
43	FU0043R		Surge tank	-	-	-	-	-	-	-	-	-	-	1.9
44	FU0044R		Collector	-	-	-	-	-	-	-	-	-	-	1.9
46	FU0046R		Induction control valve	-	-	-	-	-	-	-	-	-	-	1.9
47	FU0047R		Throttle control relay	-	0.1	0.2	-	-	0.2	0.3	0.2	-	-	-
48	FU0048R		Fuel tank protector / One part	-	0.1	0.1	-	-	0.1	0.2	0.1	-	-	-
49*	FU00495		Fuel tank protector / All	-	0.1	0.3	-	-	0.3	0.3	0.1	-	-	-
50	FU0050R		Pressure regulator	0.3	1.1	1.1	-	0.3	1.1	-	1.1	-	1.1	-
	FU0050R	DO TC	Pressure regulator	0.3	1.8	1.8	-	0.3	1.8	-	-	-	-	-
51	FU0051R	DE	Fuel pump main gear and sub gear	-	3.7	4.3	-	-	3.7	-	-	-	-	-
52	FU0052R	DE	Fuel high pressure pump Assy and gasket	-	4.9	5.5	-	-	4.9	-	-	-	-	-
53	FU0053R	DE	Fuel common rail	-	7.7	8.1	-	-	7.7	-	-	-	-	-
54	FU0054R	DE	Fuel delivery pipe Assy (inside of rocker cover) / One side	-	6.5	6.9	-	-	6.5	-	-	-	-	-
	FU00545	DE	Fuel delivery pipe Assy (inside of rocker cover) / Opposite side	-	1.2	1.2	-	-	1.2	-	-	-	-	-
55	FU0055R	DE	Fuel return pipe (inside of rocker cover) / One side	-	6.5	6.9	-	-	6.5	-	-	-	-	-
56	FU0056R	DE	Fuel return pipe	-	1.3	1.3	-	-	1.3	-	-	-	-	-
57	FU0057R	DE	Crankshaft position sensor plate	-	4.9	5.3	-	-	4.9	-	-	-	-	-
58	FU0058R	DE	Sub fuel pump Assy (fuel tank side)	-	0.3	0.3	-	-	0.3	-	-	-	-	-
59	FU0059R	DE	Fuel pulsation damper	-	0.3	0.3	-	-	0.3	-	-	-	-	-
60	FU0060R	DE	Fuel level sensor	-	0.4	0.4	-	-	0.4	-	-	-	-	-
61	FU0061R	DE	Fuel heater	-	0.5	0.5	-	-	0.5	-	-	-	-	-
62	FU0062R	DE	Sediment level switch	-	0.5	0.5	-	-	0.5	-	-	-	-	-
63	FU0063R		PCV pipe Assy	-	-	1.3	-	-	-	-	-	-	-	-
64	FU0064R	DE	Fuel heater relay	-	0.2	0.2	-	-	0.2	-	-	-	-	-
65	FU0065R	DE	Fuel suction control valve	-	1.3	1.3	-	-	1.3	-	-	-	-	-
66	FU0066R	H4-FB	Tumble generator valve actuator	-	-	-	-	-	0.2	-	-	-	-	-
	FU0999Z		Other	**	**	**	**	**	**	**	**	**	**	**

CAB



CARBURETOR

CAB



FRM1112

CAB

No.	Work No.	Vehicle Information	Work Description	TIME (HOURS)										
				Justy			TRE ZIA	IMPREZA				LEGACY		
				1	2	3		1	2	3	4	1	2	
1	CAB001R		Temperature sensor	-	-	-	-	-	-	-	-	-	0.3	-
2	CAB002R		Carburetor Assy	1.0	-	-	-	-	-	-	-	-	1.0	-
3	CAB003R		Float	-	-	-	-	-	-	-	-	-	0.5	-
4	CAB004R		Needle valve	-	-	-	-	-	-	-	-	-	0.5	-
5	CAB005R		Linkage	-	-	-	-	-	-	-	-	-	0.2	-
6	CAB006R		Jet or air bleeds	-	-	-	-	-	-	-	-	-	1.0	-
7	CAB007R		Accelerating pump piston	-	-	-	-	-	-	-	-	-	1.0	-
10	CAB010R		Slow cut solenoid valve	-	-	-	-	-	-	-	-	-	0.3	-
13	CAB013R		Dash pot	-	-	-	-	-	-	-	-	-	0.3	-
14*	CAB014R		Intake manifold vacuum or idling vacuum	-	-	-	-	-	-	-	-	-	0.2	-
15	CAB015R		Throttle gasket	-	-	-	-	-	-	-	-	-	0.2	-
16	CAB016R		Pressure regulator	-	-	-	-	-	-	-	-	-	0.2	-
17	CAB017R		Injector O-Ring, insulator, seal and spacer	-	-	-	-	-	-	-	-	-	0.3	-
18	CAB018R		Pressure source switching solenoid valve	-	-	-	-	-	-	-	-	-	1.8	-
19	CAB019R		Fuel return pipe Assy	-	-	-	-	-	-	-	-	-	1.0	-
20	CAB020R		Fuel filler hose	-	-	-	-	-	-	-	-	-	1.0	-
	CAB999Z		Other	**	**	**	**	**	**	**	**	**	**	**

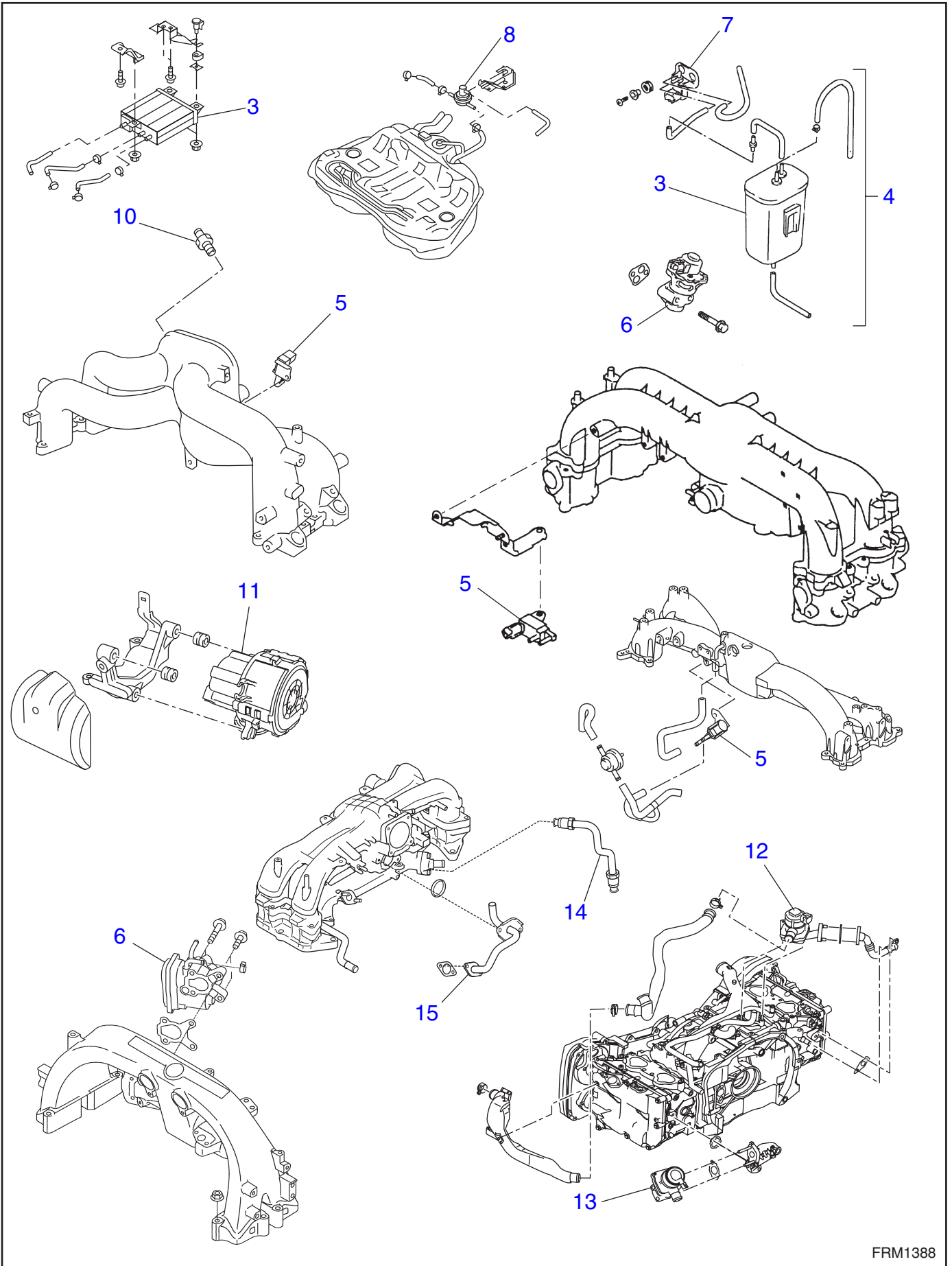
CAB

No.	Work No.	Vehicle Information	Work Description	TIME (HOURS)									
				LEGACY			FORESTER			TRIB ECA	EXI GA	SVX	
				3	4	5	1	2	3				
1	CAB001R		Temperature sensor	-	-	-	-	-	-	-	-	-	-
2	CAB002R		Carburetor Assy	-	-	-	-	-	-	-	-	-	-
3	CAB003R		Float	-	-	-	-	-	-	-	-	-	-
4	CAB004R		Needle valve	-	-	-	-	-	-	-	-	-	-
5	CAB005R		Linkage	-	-	-	-	-	-	-	-	-	-
6	CAB006R		Jet or air bleeds	-	-	-	-	-	-	-	-	-	-
7	CAB007R		Accelerating pump piston	-	-	-	-	-	-	-	-	-	-
10	CAB010R		Slow cut solenoid valve	-	-	-	-	-	-	-	-	-	-
13	CAB013R		Dash pot	-	-	-	-	-	-	-	-	-	-
14*	CAB014R		Intake manifold vacuum or idling vacuum	-	-	-	-	-	-	-	-	-	-
15	CAB015R		Throttle gasket	-	-	-	-	-	-	-	-	-	-
16	CAB016R		Pressure regulator	-	-	-	-	-	-	-	-	-	-
17	CAB017R		Injector O-Ring, insulator, seal and spacer	-	-	-	-	-	-	-	-	-	-
18	CAB018R		Pressure source switching solenoid valve	-	-	-	-	-	-	-	-	-	-
19	CAB019R		Fuel return pipe Assy	-	-	-	-	-	-	-	-	-	-
20	CAB020R		Fuel filler hose	-	-	-	-	-	-	-	-	-	-
	CAB999Z		Other	**	**	**	**	**	**	**	**	**	**

EC



**EMISSION CONTROL
(AUX. EMISSION CONTROL
DEVICES)**



EC

No.	Work No.	Vehicle Information	Work Description	TIME (HOURS)									
				Justy			TRE ZIA	IMPREZA				LEGACY	
				1	2	3		1	2	3	4	1	2
3	EC0003R	FWD	Canister	0.3	0.2	0.3	-	0.2	0.3	0.2	0.4	0.2	0.4
	EC0003R	AWD	Canister	0.3	0.2	0.3	-	0.2	0.3	0.2	0.8	0.2	0.4
4	EC0004R		Canister Assy	0.3	-	-	-	0.2	0.4	-	-	0.2	0.3
5	EC0005R		Purge control solenoid valve	0.4	0.3	0.4	-	0.3	0.3	0.3	0.1	0.3	0.3
	EC0005R	DO TC	Purge control solenoid valve	-	-	-	-	0.3	0.3	0.3	-	0.5	-
6	EC0006R		EGR control valve and gasket	0.3	0.3	1.3	1.5	-	-	0.4	-	-	-
	EC0006R	H6	EGR control valve and gasket	-	-	-	-	-	-	-	-	-	-
	EC0006R	DE	EGR control valve and gasket	-	-	-	1.2	-	-	0.6	-	-	-
	EC0006R	H4-FB	EGR control valve and gasket	-	-	-	-	-	-	-	0.2	-	-
7	EC0007R		EGR solenoid valve	0.4	-	-	-	-	-	-	-	-	-
8	EC0008R		2-Way valve	2.4	-	-	-	0.2	0.3	0.2	0.5	0.2	0.2
10	EC0010R		PCV valve	-	-	-	0.2	-	0.3	0.2	-	-	-
	EC0010R	DO TC	PCV valve	-	-	-	-	-	0.5	1.9	-	-	-
	EC0010R	H4-FB	PCV valve	-	-	-	-	-	-	-	0.3	-	-
11	EC0011R		Secondary air pump Assy	-	-	-	-	-	0.3	0.3	-	-	-
12	EC0012R		Secondary air combination valve RH	-	-	-	-	-	0.3	0.3	-	-	-
	EC0012R	DO TC	Secondary air combination valve RH	-	-	-	-	-	2.0	2.0	-	-	-
13	EC0013R		Secondary air combination valve LH	-	-	-	-	-	0.3	0.3	-	-	-
	EC0013R	DO TC	Secondary air combination valve LH	-	-	-	-	-	0.5	0.5	-	-	-
14	EC0014R	H4-FB	EGR pipe Assy	-	-	-	-	-	-	-	0.4	-	-
15	EC0015R		EGR pipe Compl	-	-	-	1.1	-	-	-	1.1	-	-
	EC0999Z		Other	**	**	**	**	**	**	**	**	**	**

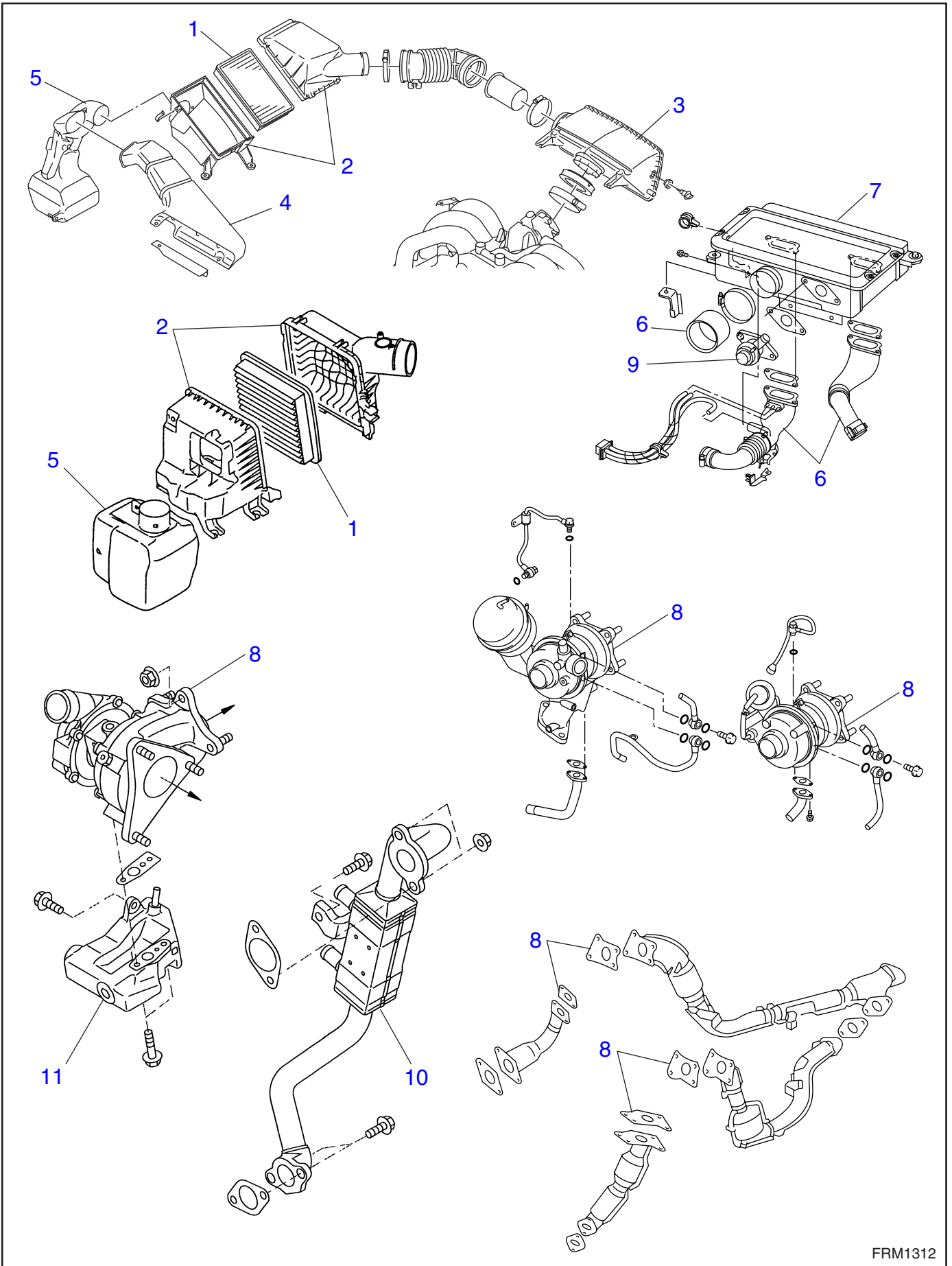
EC

No.	Work No.	Vehicle Information	Work Description	TIME (HOURS)									
				LEGACY			FORESTER			TRIB ECA	EXI GA	SVX	
				3	4	5	1	2	3				
3	EC0003R	FWD	Canister	-	-	-	-	-	-	-	-	-	-
	EC0003R	AWD	Canister	0.3	0.3	0.3	0.2	0.3	0.2	2.4	0.3	0.2	
4	EC0004R		Canister Assy	0.4	-	-	0.2	0.4	-	-	-	0.2	
5	EC0005R		Purge control solenoid valve	0.3	0.3	0.3	0.3	0.3	0.3	0.3	0.3	1.9	
	EC0005R	DO TC	Purge control solenoid valve	-	0.3	0.3	0.3	0.3	0.3	-	-	-	
6	EC0006R		EGR control valve and gasket	0.3	0.3	1.2	-	-	0.4	-	0.4	0.8	
	EC0006R	H6	EGR control valve and gasket	0.5	0.5	0.5	-	-	-	0.5	-	-	
	EC0006R	DE	EGR control valve and gasket	-	0.6	0.6	-	-	0.6	-	-	-	
	EC0006R	H4-FB	EGR control valve and gasket	-	-	-	-	-	0.2	-	-	-	
7	EC0007R		EGR solenoid valve	-	-	-	-	-	-	0.8	-	1.9	
8	EC0008R		2-Way valve	0.3	0.3	0.2	0.2	0.3	0.2	-	0.2	-	
10	EC0010R		PCV valve	0.3	0.3	0.3	0.3	0.3	0.2	0.2	0.2	-	
	EC0010R	DO TC	PCV valve	-	0.5	0.5	0.5	0.5	1.9	-	-	-	
	EC0010R	H4-FB	PCV valve	-	-	-	-	-	0.3	-	-	-	
11	EC0011R		Secondary air pump Assy	-	0.3	0.3	-	0.3	0.3	-	-	-	
12	EC0012R		Secondary air combination valve RH	-	0.3	0.3	-	0.3	0.3	-	-	-	
	EC0012R	DO TC	Secondary air combination valve RH	-	2.0	2.0	-	2.0	2.0	-	-	-	
13	EC0013R		Secondary air combination valve LH	-	0.3	0.3	-	0.3	0.3	-	-	-	
	EC0013R	DO TC	Secondary air combination valve LH	-	0.5	0.5	-	0.5	0.5	-	-	-	
14	EC0014R	H4-FB	EGR pipe Assy	-	-	-	-	-	0.4	-	-	-	
15	EC0015R		EGR pipe Compl	-	-	-	-	-	1.1	-	-	-	
	EC0999Z		Other	**	**	**	**	**	**	**	**	**	

IN



INTAKE (INDUCTION)



IN

No.	Work No.	Vehicle Information	Work Description	TIME (HOURS)									
				Justy			TRE ZIA	IMPREZA				LEGACY	
				1	2	3		1	2	3	4	1	2
1	IN0001R		Air cleaner element	0.2	0.2	0.2	0.1	0.1	0.1	0.1	0.1	0.1	0.1
2	IN0002R		Air cleaner case	0.3	0.3	0.3	0.3	0.2	0.2	0.2	0.2	0.2	0.2
3	IN0003R		Air intake chamber	-	-	-	-	0.2	0.2	0.2	0.3	0.2	0.2
4	IN0004R		Air intake duct	-	-	-	-	0.2	0.2	0.1	0.1	0.1	0.2
5	IN0005R		Resonator chamber	-	-	-	-	0.4	0.4	-	-	0.4	0.4
6	IN0006R	DO TC	Inlet duct and outlet duct	-	-	-	-	0.2	0.2	0.5	-	0.2	-
	IN0006R	DE	Inlet duct and outlet duct	-	-	-	-	-	-	0.2	0.2	-	-
7	IN0007R	DO TC	Intercooler Assy	-	-	-	-	0.6	0.4	0.3	-	0.2	-
	IN0007R	DE	Intercooler Assy	-	-	-	-	-	-	0.2	0.2	-	-
8	IN0008R	DO TC	Turbo charger Assy and gasket	-	-	-	-	2.1	2.1	2.1	-	2.1	-
	IN0008R	DE	Turbo charger Assy and gasket	-	-	-	4.0	-	-	2.0	2.0	-	-
9	IN0009R		Air by-pass valve	-	-	-	-	-	0.2	-	-	-	-
	IN0009R	DE	Air by-pass valve	-	-	-	-	-	-	0.3	0.3	-	-
10	IN0010R	DE	EGR cooler and gasket	-	-	-	-	-	-	1.0	1.0	-	-
11	IN0011R	DOTC	OIL catch tank (turbo)	-	-	-	-	-	-	-	-	-	-
	IN0011R	DE	OIL catch tank (turbo)	-	-	-	-	-	-	0.2	0.2	-	-
	IN0999Z		Other	**	**	**	**	**	**	**	**	**	**

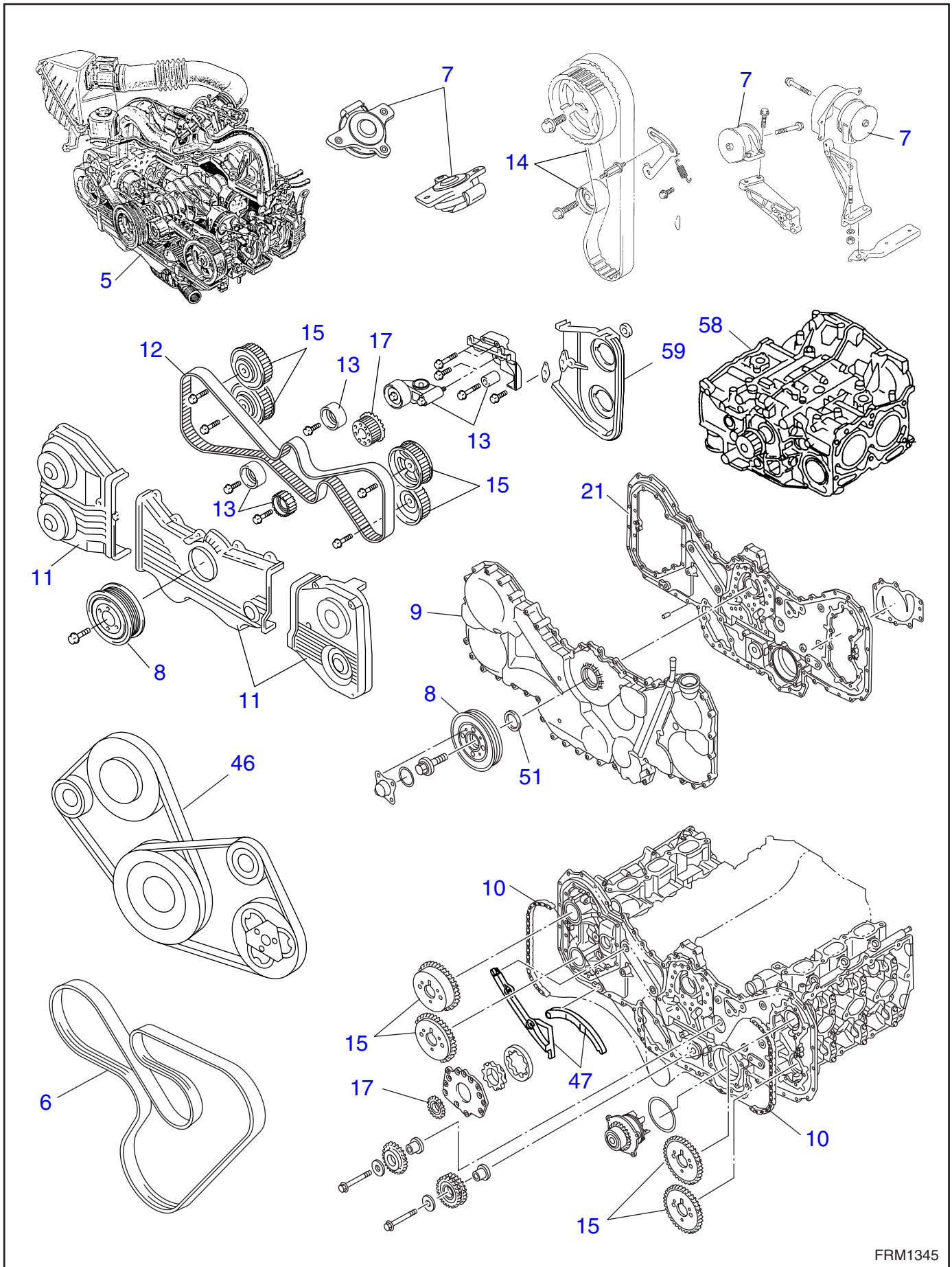
IN

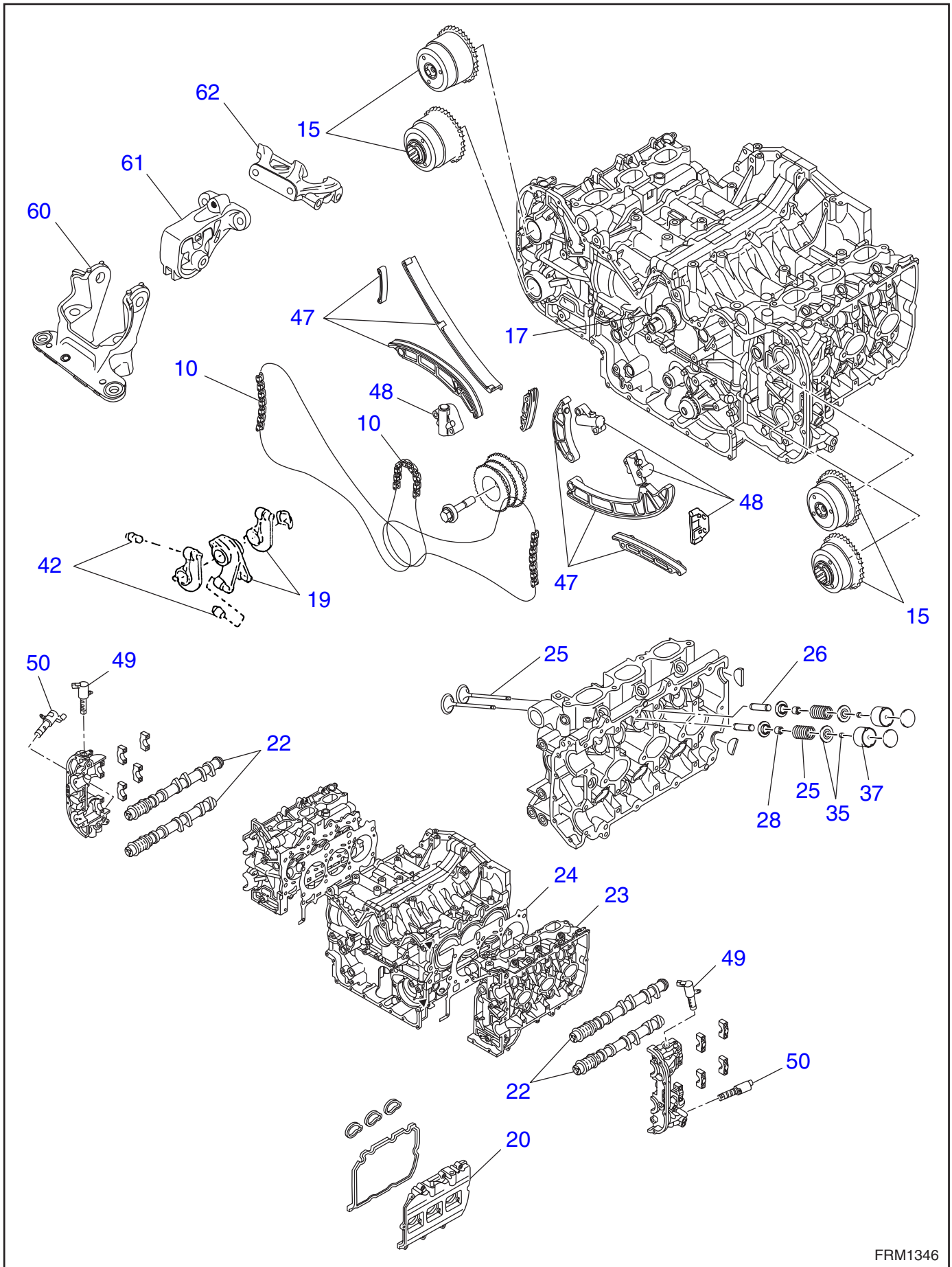
No.	Work No.	Vehicle Information	Work Description	TIME (HOURS)									
				LEGACY			FORESTER			TRIB ECA	EXI GA	SVX	
				3	4	5	1	2	3				
1	IN0001R		Air cleaner element	0.1	0.1	0.1	0.1	0.1	0.1	0.1	0.1	0.1	0.1
2	IN0002R		Air cleaner case	0.2	0.2	0.2	0.2	0.2	0.2	0.2	0.2	0.2	0.3
3	IN0003R		Air intake chamber	0.2	0.2	0.2	0.2	0.2	0.2	0.2	0.2	0.2	-
4	IN0004R		Air intake duct	0.2	0.2	0.1	0.1	0.2	0.1	0.2	0.1	0.2	0.1
5	IN0005R		Resonator chamber	0.4	-	0.3	0.4	0.4	-	0.4	0.3	0.3	0.7
6	IN0006R	DO TC	Inlet duct and outlet duct	-	0.2	0.4	0.2	0.2	0.5	-	-	-	-
	IN0006R	DE	Inlet duct and outlet duct	-	0.2	0.4	-	-	0.2	-	-	-	-
7	IN0007R	DO TC	Intercooler Assy	-	0.3	0.3	0.4	0.4	0.3	-	-	-	-
	IN0007R	DE	Intercooler Assy	-	0.2	0.2	-	-	0.2	-	-	-	-
8	IN0008R	DO TC	Turbo charger Assy and gasket	-	2.1	1.8	2.1	2.1	2.1	-	-	-	-
	IN0008R	DE	Turbo charger Assy and gasket	-	2.0	2.6	-	-	2.0	-	-	-	-
9	IN0009R		Air by-pass valve	-	-	-	-	0.2	-	-	-	-	-
	IN0009R	DE	Air by-pass valve	-	0.3	0.3	-	-	0.3	-	-	-	-
10	IN0010R	DE	EGR cooler and gasket	-	0.8	1.8	-	-	1.0	-	-	-	-
11	IN0011R	DOTC	OIL catch tank (turbo)	-	-	0.2	-	-	-	-	-	-	-
	IN0011R	DE	OIL catch tank (turbo)	-	0.2	0.2	-	-	0.2	-	-	-	-
	IN0999Z		Other	**	**	**	**	**	**	**	**	**	**

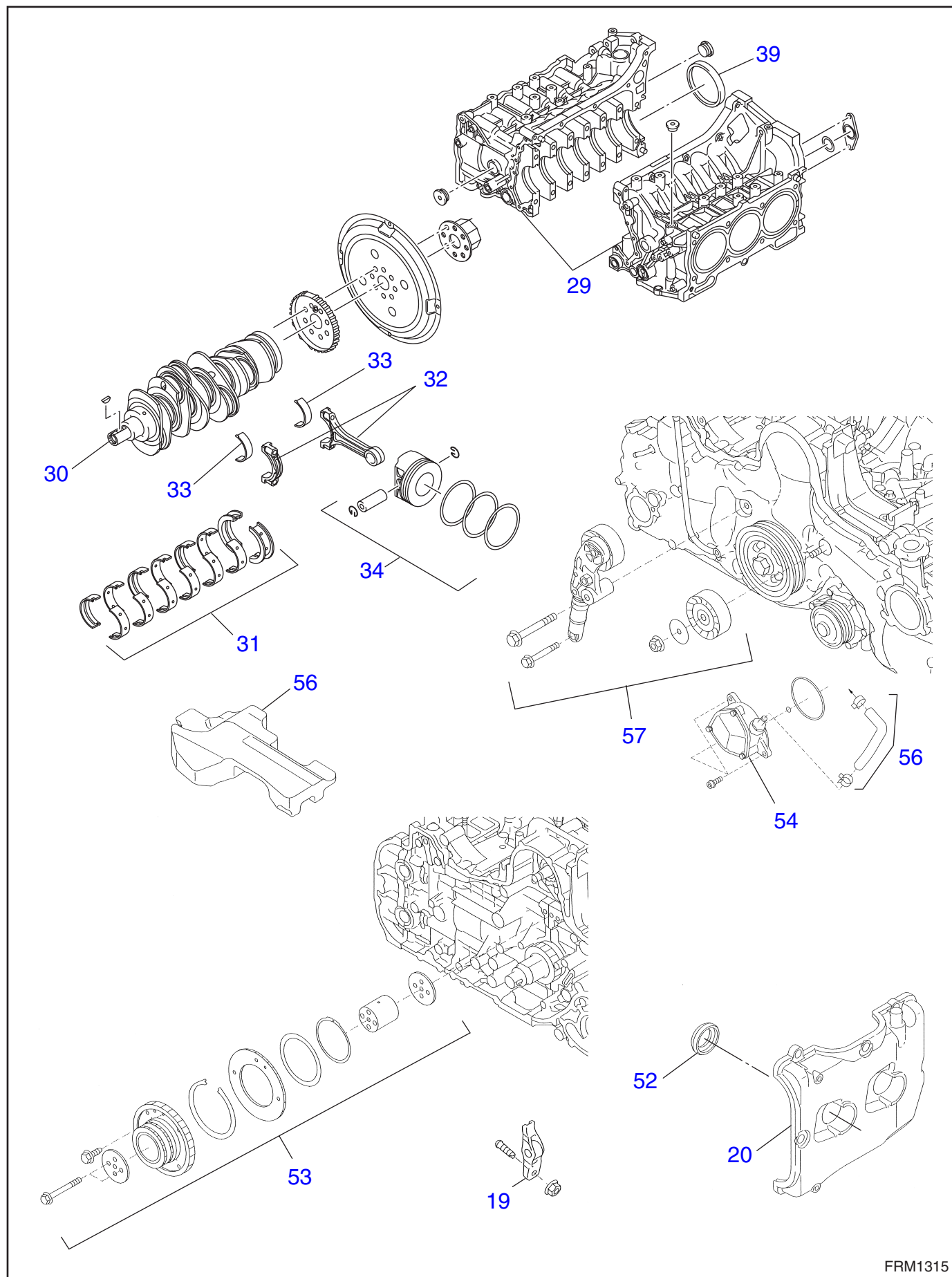
ME



MECHANICAL







ME

No.	Work No.	Vehicle Information	Work Description	TIME (HOURS)									
				Justy			TRE ZIA	IMPREZA				LEGACY	
				1	2	3		1	2	3	4	1	2
1*	ME0001M		Engine compression	-	-	-	-	1.0	1.0	1.3	1.3	0.7	1.0
	ME0001M	DO TC	Engine compression	-	-	-	-	1.4	1.4	1.5	-	1.1	-
	ME0001M	DE	Engine compression	-	-	-	-	-	-	1.4	1.4	-	-
2*	ME0002A		Engine idle speed	-	-	-	-	0.2	0.2	0.2	0.2	0.2	0.2
3*	ME0003A		Ignition timing	-	-	-	-	0.2	0.2	0.2	0.2	0.2	0.2
4*	ME0004N		Valve clearance / One side	-	-	-	-	0.8	0.8	0.8	-	0.4	0.8
	ME00043		Valve clearance / Opposite side	-	-	-	-	0.3	0.3	0.3	-	0.4	0.3
	ME0004N	DO TC	Valve clearance / One side	-	-	-	-	0.8	0.8	1.5	-	1.0	-
	ME00043	DO TC	Valve clearance / Opposite side	-	-	-	-	0.3	0.3	0.4	-	0.5	-
	ME0004N	H6	Valve clearance / One side	-	-	-	-	-	-	-	-	-	-
	ME00043	H6	Valve clearance / Opposite side	-	-	-	-	-	-	-	-	-	-
	ME0004N	DE	Valve clearance / One side	-	-	-	-	-	-	4.2	4.2	-	-
	ME00043	DE	Valve clearance / Opposite side	-	-	-	-	-	-	1.1	1.1	-	-
	ME0004N	H4-FB	Valve clearance / One side	-	-	-	-	-	-	-	1.5	-	-
	ME00043	H4-FB	Valve clearance / Opposite side	-	-	-	-	-	-	-	1.2	-	-
	ME0004A		Valve clearance / One side	-	-	-	-	1.0	6.1	6.1	-	0.6	1.0
	ME00041		Valve clearance / Opposite side	-	-	-	-	0.5	0.5	0.5	-	0.6	0.5
	ME0004A	DO TC	Valve clearance / One side	-	-	-	-	7.3	7.3	7.8	-	7.3	-
	ME00041	DO TC	Valve clearance / Opposite side	-	-	-	-	0.6	0.6	1.0	-	0.6	-
	ME0004A	H6	Valve clearance / One side	-	-	-	-	-	-	-	-	-	-
	ME00041	H6	Valve clearance / Opposite side	-	-	-	-	-	-	-	-	-	-
	ME0004A	DE	Valve clearance / One side	-	-	-	1.8	-	-	5.1	5.1	-	-
	ME00041	DE	Valve clearance / Opposite side	-	-	-	-	-	-	1.3	1.3	-	-
	ME0004A	H4-FB	Valve clearance / One side	-	-	-	-	-	-	-	6.8	-	-
	ME00041	H4-FB	Valve clearance / Opposite side	-	-	-	-	-	-	-	1.7	-	-
5	ME0005R		Engine Assy	4.8	4.3	6.2	6.8	4.3	4.3	4.0	4.0	4.3	4.3
	ME0005R	DO TC	Engine Assy	-	-	-	-	4.8	4.8	5.0	-	4.8	-
	ME0005R	H6	Engine Assy	-	-	-	-	-	-	-	-	-	-
	ME0005R	DE	Engine Assy	-	-	-	9.1	-	-	4.2	4.2	-	-
6	ME0006R		V belt	1.0	0.6	0.4	0.4	0.4	0.4	0.3	-	0.4	0.4
	ME0006R	H6	V belt	-	-	-	-	-	-	-	-	-	-
	ME0006R	DE	V belt	-	-	-	0.4	-	-	-	0.2	-	-
	ME0006R	H4-FB	V belt	-	-	-	-	-	-	-	0.1	-	-
7	ME0007R		Engine mount / All	2.4	1.6	0.7	-	2.5	2.5	2.5	2.5	-	2.5
	ME0007R	DO TC	Engine mount / All	-	-	-	-	2.9	2.9	2.9	-	-	-
	ME0007R	DE	Engine mount / All	-	-	-	-	-	-	4.2	4.2	-	-
8	ME0008R		Crankshaft pulley	0.6	0.9	0.7	0.6	0.7	0.7	0.6	-	0.7	0.7
	ME0008R	DE	Crankshaft pulley	-	-	-	1.0	-	-	0.6	0.6	-	-
	ME0008R	H4-FB	Crankshaft pulley	-	-	-	-	-	-	-	0.3	-	-

ME

No.	Work No.	Vehicle Information	Work Description	TIME (HOURS)								
				LEGACY			FORESTER			TRIB ECA	EXI GA	SVX
				3	4	5	1	2	3			
1*	ME0001M		Engine compression	1.0	1.0	1.3	1.0	1.0	1.3	1.0	1.3	1.5
	ME0001M	DO TC	Engine compression	-	1.4	1.5	1.4	1.4	1.5	-	-	-
	ME0001M	DE	Engine compression	-	1.4	1.4	-	-	1.4	-	-	-
2*	ME0002A		Engine idle speed	0.2	0.2	0.2	0.2	0.2	0.2	0.2	0.2	0.2
3*	ME0003A		Ignition timing	0.2	0.2	0.2	0.2	0.2	0.2	0.2	0.2	0.6
4*	ME0004N		Valve clearance / One side	0.8	0.8	0.8	0.8	0.8	0.8	-	0.8	-
	ME00043		Valve clearance / Opposite side	0.3	0.3	0.3	0.3	0.3	0.3	-	0.3	-
	ME0004N	DO TC	Valve clearance / One side	-	1.5	1.5	0.8	0.8	1.5	-	-	-
	ME00043	DO TC	Valve clearance / Opposite side	-	0.4	0.4	0.3	0.3	0.4	-	-	-
	ME0004N	H6	Valve clearance / One side	1.1	1.9	1.9	-	-	-	1.8	-	-
	ME00043	H6	Valve clearance / Opposite side	0.5	0.7	0.7	-	-	-	0.6	-	-
	ME0004N	DE	Valve clearance / One side	-	4.2	4.6	-	-	4.2	-	-	-
	ME00043	DE	Valve clearance / Opposite side	-	1.1	1.0	-	-	1.1	-	-	-
	ME0004N	H4-FB	Valve clearance / One side	-	-	-	-	-	1.5	-	-	-
	ME00043	H4-FB	Valve clearance / Opposite side	-	-	-	-	-	1.2	-	-	-
	ME0004A		Valve clearance / One side	6.1	6.1	5.9	1.0	6.1	6.1	-	6.1	-
	ME00041		Valve clearance / Opposite side	0.5	0.5	0.5	0.5	0.5	0.5	-	0.5	-
	ME0004A	DO TC	Valve clearance / One side	-	7.3	7.0	7.3	7.3	7.8	-	-	-
	ME00041	DO TC	Valve clearance / Opposite side	-	0.6	0.6	0.6	0.6	1.0	-	-	-
	ME0004A	H6	Valve clearance / One side	1.5	7.8	7.2	-	-	-	6.8	-	-
	ME00041	H6	Valve clearance / Opposite side	1.1	0.8	0.8	-	-	-	0.8	-	-
	ME0004A	DE	Valve clearance / One side	-	5.1	5.5	-	-	5.1	-	-	-
	ME00041	DE	Valve clearance / Opposite side	-	1.3	1.2	-	-	1.3	-	-	-
ME0004A	H4-FB	Valve clearance / One side	-	-	-	-	-	6.8	-	-	-	
ME00041	H4-FB	Valve clearance / Opposite side	-	-	-	-	-	1.7	-	-	-	
5	ME0005R		Engine Assy	4.3	4.0	3.6	4.3	4.3	4.0	-	4.2	-
	ME0005R	DO TC	Engine Assy	-	4.7	4.7	4.8	4.8	5.0	-	-	-
	ME0005R	H6	Engine Assy	4.5	4.5	4.0	-	-	-	3.5	-	4.8
	ME0005R	DE	Engine Assy	-	4.2	4.6	-	-	4.2	-	-	-
6	ME0006R		V belt	0.4	0.4	0.4	0.4	0.4	0.3	-	0.3	-
	ME0006R	H6	V belt	0.2	0.1	0.1	-	-	-	0.1	-	0.4
	ME0006R	DE	V belt	-	0.2	0.2	-	-	0.2	-	-	-
	ME0006R	H4-FB	V belt	-	-	-	-	-	0.1	-	-	-
7	ME0007R		Engine mount / All	2.5	2.5	-	2.5	2.5	2.5	2.5	2.6	2.5
	ME0007R	DO TC	Engine mount / All	-	2.9	-	-	-	2.9	-	-	-
	ME0007R	DE	Engine mount / All	-	4.2	-	-	-	4.2	-	-	-
8	ME0008R		Crankshaft pulley	0.7	0.7	0.7	0.7	0.7	0.6	0.6	0.6	0.7
	ME0008R	DE	Crankshaft pulley	-	0.7	0.7	-	-	0.6	-	-	-
	ME0008R	H4-FB	Crankshaft pulley	-	-	-	-	-	0.3	-	-	-

ME

No.	Work No.	Vehicle Information	Work Description	TIME (HOURS)									
				Justy			TRE ZIA	IMPREZA				LEGACY	
				1	2	3		1	2	3	4	1	2
9	ME0009R		Front chain cover	-	-	6.9	-	-	-	-	-	-	-
	ME0009R	DE	Front chain cover	-	-	-	-	-	3.6	3.6	-	-	-
	ME0009R	H4-FB	Front chain cover	-	-	-	-	-	-	3.8	-	-	-
10	ME0010R		Front chain Assy	-	5.0	7.0	9.4	-	-	-	-	-	-
	ME0010R	DE	Front chain Assy	-	-	-	11.1	-	-	4.1	4.1	-	-
	ME0010R	H4-FB	Front chain Assy	-	-	-	-	-	-	4.2	-	-	-
11	ME0011R		Front timing belt cover	-	-	-	-	0.6	0.6	0.6	-	0.6	0.6
12	ME0012R		Timing belt / On car service	1.9	-	-	-	1.6	1.7	1.6	-	1.6	1.6
	ME0012R	DO TC	Timing belt / On car service	-	-	-	-	2.1	1.9	1.7	-	2.1	-
13	ME0013R		Belt idler and automatic belt tension adjuster	-	-	7.0	-	1.7	1.8	1.7	-	2.0	2.0
	ME0013R	DO TC	Belt idler and automatic belt tension adjuster	-	-	-	-	2.1	2.0	1.8	-	2.5	-
14	ME0014R		Timing belt and tensioner	1.9	-	-	-	-	-	-	-	-	-
15	ME0015R		Camshaft sprocket / On car service	1.9	-	1.8	9.4	1.7	1.8	1.8	-	1.4	1.6
	ME0015R	DO TC	Camshaft sprocket / On car service	-	-	-	-	2.1	2.0	2.0	-	1.4	-
	ME0015R	H6	Camshaft sprocket / On car service	-	-	-	-	-	-	-	-	-	-
	ME0015R	DE	Camshaft sprocket / On car service	-	-	-	11.2	-	-	4.1	4.1	-	-
	ME0015R	H4-FB	Camshaft sprocket / On car service	-	-	-	-	-	-	-	4.3	-	-
16*	ME0016R		Camshaft sprocket	-	-	-	-	-	-	-	-	5.4	-
	ME0016R	DO TC	Camshaft sprocket	-	-	-	-	-	-	-	-	5.4	-
17	ME0017R		Crankshaft sprocket / On car service	1.9	-	4.5	-	1.7	1.8	1.5	-	1.5	2.0
	ME0017R	DO TC	Crankshaft sprocket / On car service	-	-	-	-	2.1	2.0	1.6	-	1.5	-
	ME0017R	H6	Crankshaft sprocket / On car service	-	-	-	-	-	-	-	-	-	-
	ME0017R	DE	Crankshaft sprocket / On car service	-	-	-	-	-	-	7.2	7.2	-	-
	ME0017R	H4-FB	Crankshaft sprocket / On car service	-	-	-	-	-	-	-	4.2	-	-
19	ME0019R		Valve rocker Assy / One side	2.6	-	-	9.4	1.5	1.5	1.5	-	1.5	1.5
	ME0019S		Valve rocker Assy / Opposite side	-	-	-	-	1.3	1.3	1.3	-	1.3	1.3
	ME0019R	DE	Valve rocker Assy / One side	-	-	-	11.5	-	-	8.7	8.7	-	-
	ME0019S	DE	Valve rocker Assy / Opposite side	-	-	-	-	-	-	1.8	1.8	-	-
20	ME0020R		Valve rocker cover / One side	0.4	0.6	0.5	1.0	0.3	0.3	0.7	-	0.3	0.3
	ME0020R	DO TC	Valve rocker cover / One side	-	-	-	-	-	0.5	0.9	-	0.5	-
	ME0020R	H6	Valve rocker cover / One side	-	-	-	-	-	-	-	-	-	-
	ME0020R	DE	Valve rocker cover / One side	-	-	-	0.9	-	-	4.1	4.1	-	-
	ME0020R	H4-FB	Valve rocker cover / One side	-	-	-	-	-	-	-	1.3	-	-
21	ME0021R		Rear chain cover	-	-	-	9.7	-	-	-	-	-	-
22	ME0022R		Camshaft / One side	3.3	-	2.5	9.9	5.2	5.2	5.2	-	5.2	5.2
	ME0022R	DO TC	Camshaft / One side	-	-	-	-	6.7	6.7	6.7	-	6.7	-
	ME0022R	H6	Camshaft / One side	-	-	-	-	-	-	-	-	-	-
	ME0022R	DE	Camshaft / One side	-	-	-	11.3	-	-	9.8	9.8	-	-
	ME0022R	H4-FB	Camshaft / One side	-	-	-	-	-	-	-	6.8	-	-

ME

No.	Work No.	Vehicle Information	Work Description	TIME (HOURS)								
				LEGACY			FORESTER			TRIB ECA	EXI GA	SVX
				3	4	5	1	2	3			
9	ME0009R		Front chain cover	1.5	1.5	1.7	-	-	-	1.5	-	-
	ME0009R	DE	Front chain cover	-	3.6	4.2	-	-	3.6	-	-	-
	ME0009R	H4-FB	Front chain cover	-	-	-	-	-	3.8	-	-	-
10	ME0010R		Front chain Assy	2.0	2.0	2.7	-	-	-	2.2	-	-
	ME0010R	DE	Front chain Assy	-	4.1	4.7	-	-	4.1	-	-	-
	ME0010R	H4-FB	Front chain Assy	-	-	-	-	-	4.2	-	-	-
11	ME0011R		Front timing belt cover	0.6	0.6	0.6	0.6	0.6	0.6	-	1.0	1.3
12	ME0012R		Timing belt / On car service	1.7	1.4	1.6	1.6	1.7	1.6	-	1.6	-
	ME0012R	DO TC	Timing belt / On car service	-	1.7	1.7	2.1	1.9	1.7	-	-	-
13	ME0013R		Belt idler and automatic belt tension adjuster	2.0	1.6	1.7	1.7	1.8	1.7	-	1.7	-
	ME0013R	DO TC	Belt idler and automatic belt tension adjuster	-	1.6	1.8	2.1	1.9	1.8	-	-	-
14	ME0014R		Timing belt and tensioner	-	-	-	-	-	-	-	-	1.7
15	ME0015R		Camshaft sprocket / On car service	1.6	1.6	1.6	1.7	1.8	1.8	-	1.8	-
	ME0015R	DO TC	Camshaft sprocket / On car service	-	1.6	2.0	2.1	1.9	2.0	-	-	-
	ME0015R	H6	Camshaft sprocket / On car service	2.1	2.1	2.3	-	-	-	2.3	-	2.5
	ME0015R	DE	Camshaft sprocket / On car service	-	4.1	4.7	-	-	4.1	-	-	-
	ME0015R	H4-FB	Camshaft sprocket / On car service	-	-	-	-	-	4.3	-	-	-
16*	ME0016R		Camshaft sprocket	-	-	-	-	-	-	-	-	-
	ME0016R	DO TC	Camshaft sprocket	-	-	-	-	-	-	-	-	-
17	ME0017R		Crankshaft sprocket / On car service	2.0	1.6	1.6	1.7	1.8	1.5	-	1.5	-
	ME0017R	DO TC	Crankshaft sprocket / On car service	-	1.6	1.6	2.1	1.9	1.6	-	-	-
	ME0017R	H6	Crankshaft sprocket / On car service	2.1	2.1	2.1	-	-	-	2.3	-	2.1
	ME0017R	DE	Crankshaft sprocket / On car service	-	7.2	7.6	-	-	7.2	-	-	-
	ME0017R	H4-FB	Crankshaft sprocket / On car service	-	-	-	-	-	4.2	-	-	-
19	ME0019R		Valve rocker Assy / One side	1.5	1.5	1.5	1.5	1.5	1.5	-	1.5	5.6
	ME0019S		Valve rocker Assy / Opposite side	1.3	1.3	1.3	1.3	1.3	1.3	-	1.3	-
	ME0019R	DE	Valve rocker Assy / One side	-	8.7	9.2	-	-	8.7	-	-	-
	ME0019S	DE	Valve rocker Assy / Opposite side	-	1.8	1.8	-	-	1.8	-	-	-
20	ME0020R		Valve rocker cover / One side	0.5	0.4	0.5	0.3	0.3	0.7	-	0.7	0.3
	ME0020R	DO TC	Valve rocker cover / One side	-	0.9	0.9	0.5	0.5	0.9	-	-	-
	ME0020R	H6	Valve rocker cover / One side	1.2	1.2	1.2	-	-	-	1.2	-	-
	ME0020R	DE	Valve rocker cover / One side	-	4.1	4.5	-	-	4.1	-	-	-
	ME0020R	H4-FB	Valve rocker cover / One side	-	-	-	-	-	1.3	-	-	-
21	ME0021R		Rear chain cover	3.1	3.1	-	-	-	-	3.1	-	-
22	ME0022R		Camshaft / One side	5.4	5.1	4.9	5.2	5.2	5.2	-	5.2	-
	ME0022R	DO TC	Camshaft / One side	-	6.6	6.6	6.7	6.7	6.7	-	-	-
	ME0022R	H6	Camshaft / One side	8.7	8.7	8.2	-	-	-	8.7	-	8.7
	ME0022R	DE	Camshaft / One side	-	9.8	10.2	-	-	9.8	-	-	-
	ME0022R	H4-FB	Camshaft / One side	-	-	-	-	-	6.8	-	-	-

ME

No.	Work No.	Vehicle Information	Work Description	TIME (HOURS)									
				Justy			TRE ZIA	IMPREZA				LEGACY	
				1	2	3		1	2	3	4	1	2
23	ME0023R		Cylinder head Assy / One side	5.4	6.1	10.1	14.3	6.6	6.6	6.8	-	6.6	6.6
	ME00235		Cylinder head Assy / Opposite side	-	-	-	-	1.0	1.0	1.0	-	1.0	1.0
	ME0023R	DO TC	Cylinder head Assy / One side	-	-	-	-	9.8	9.8	9.6	-	9.8	-
	ME00235	DO TC	Cylinder head Assy / Opposite side	-	-	-	-	1.3	1.3	1.3	-	1.3	-
	ME0023R	H6	Cylinder head Assy / One side	-	-	-	-	-	-	-	-	-	-
	ME00235	H6	Cylinder head Assy / Opposite side	-	-	-	-	-	-	-	-	-	-
	ME0023R	DE	Cylinder head Assy / One side	-	-	-	15.1	-	-	11.4	11.4	-	-
	ME00235	DE	Cylinder head Assy / Opposite side	-	-	-	-	-	-	2.0	2.0	-	-
	ME0023R	H4-FB	Cylinder head Assy / One side	-	-	-	-	-	-	-	7.5	-	-
	ME00235	H4-FB	Cylinder head Assy / Opposite side	-	-	-	-	-	-	-	2.0	-	-
24	ME0024R		Cylinder head gasket	3.1	-	9.2	11.2	5.1	5.1	5.2	-	5.1	5.1
	ME0024R	DO TC	Cylinder head gasket	-	-	-	-	8.6	8.6	8.1	-	8.6	-
	ME0024R	H6	Cylinder head gasket	-	-	-	-	-	-	-	-	-	-
	ME0024R	DE	Cylinder head gasket	-	-	-	13.0	-	-	11.9	11.9	-	-
	ME0024R	H4-FB	Cylinder head gasket	-	-	-	-	-	-	-	7.5	-	-
25	ME0025R		Valve and valve spring / One side	7.0	-	-	13.0	7.4	7.4	7.6	-	7.4	7.4
	ME00255		Valve and valve spring / Opposite side	-	-	-	-	2.7	2.7	2.8	-	2.7	2.7
	ME0025R	DO TC	Valve and valve spring / One side	-	-	-	-	10.6	10.6	10.3	-	10.6	-
	ME00255	DO TC	Valve and valve spring / Opposite side	-	-	-	-	3.6	3.6	3.3	-	3.6	-
	ME0025R	H6	Valve and valve spring / One side	-	-	-	-	-	-	-	-	-	-
	ME00255	H6	Valve and valve spring / Opposite side	-	-	-	-	-	-	-	-	-	-
	ME0025R	DE	Valve and valve spring / One side	-	-	-	14.0	-	-	12.1	12.1	-	-
	ME00255	DE	Valve and valve spring / Opposite side	-	-	-	-	-	-	2.8	2.8	-	-
	ME0025R	H4-FB	Valve and valve spring / One side	-	-	-	-	-	-	-	8.0	-	-
	ME00255	H4-FB	Valve and valve spring / Opposite side	-	-	-	-	-	-	-	1.8	-	-
26	ME0026R		Valve guide / One side	6.4	7.9	-	18.0	9.0	9.0	9.0	-	9.0	9.0
	ME0026R	DO TC	Valve guide / One side	-	-	-	-	12.2	12.2	11.0	-	12.2	-
	ME0026R	H6	Valve guide / One side	-	-	-	-	-	-	-	-	-	-
	ME0026R	DE	Valve guide / One side	-	-	-	16.3	-	-	13.0	13.0	-	-
	ME0026R	H4-FB	Valve guide / One side	-	-	-	-	-	-	-	9.5	-	-
27*	ME0027R		Valve seat / One side	-	-	-	-	9.0	9.0	9.0	-	9.0	9.0
	ME0027R	DO TC	Valve seat / One side	-	-	-	-	12.2	12.2	11.0	-	12.2	-
	ME0027R	H6	Valve seat / One side	-	-	-	-	-	-	-	-	-	-
28	ME0028R		Valve oil seal / One side	7.2	7.9	-	-	7.4	7.4	7.6	-	7.4	7.4
	ME0028R	DO TC	Valve oil seal / One side	-	-	-	-	10.6	10.6	10.3	-	10.6	-
	ME0028R	H6	Valve oil seal / One side	-	-	-	-	-	-	-	-	-	-
	ME0028R	DE	Valve oil seal / One side	-	-	-	-	-	-	12.2	12.2	-	-
	ME0028R	H4-FB	Valve oil seal / One side	-	-	-	-	-	-	-	8.0	-	-

ME

No.	Work No.	Vehicle Information	Work Description	TIME (HOURS)								
				LEGACY			FORESTER			TRIB ECA	EXI GA	SVX
				3	4	5	1	2	3			
23	ME0023R		Cylinder head Assy / One side	6.6	6.6	6.4	6.6	6.6	6.8	-	6.8	-
	ME00235		Cylinder head Assy / Opposite side	1.0	1.0	1.0	1.0	1.0	1.0	-	1.0	-
	ME0023R	DO TC	Cylinder head Assy / One side	-	9.4	9.4	9.8	9.8	9.6	-	-	-
	ME00235	DO TC	Cylinder head Assy / Opposite side	-	1.0	1.0	1.3	1.3	1.3	-	-	-
	ME0023R	H6	Cylinder head Assy / One side	9.8	9.8	9.7	-	-	-	9.8	-	9.8
	ME00235	H6	Cylinder head Assy / Opposite side	1.5	1.5	2.0	-	-	-	1.5	-	1.3
	ME0023R	DE	Cylinder head Assy / One side	-	11.4	11.8	-	-	11.4	-	-	-
	ME00235	DE	Cylinder head Assy / Opposite side	-	2.0	2.0	-	-	2.0	-	-	-
	ME0023R	H4-FB	Cylinder head Assy / One side	-	-	-	-	-	7.5	-	-	-
	ME00235	H4-FB	Cylinder head Assy / Opposite side	-	-	-	-	-	2.0	-	-	-
24	ME0024R		Cylinder head gasket	5.3	5.0	4.8	5.1	5.1	5.2	-	5.2	-
	ME0024R	DO TC	Cylinder head gasket	-	7.8	7.8	8.6	8.6	8.1	-	-	-
	ME0024R	H6	Cylinder head gasket	9.8	9.8	9.5	-	-	-	9.8	-	9.8
	ME0024R	DE	Cylinder head gasket	-	11.9	12.3	-	-	11.9	-	-	-
	ME0024R	H4-FB	Cylinder head gasket	-	-	-	-	-	7.5	-	-	-
25	ME0025R		Valve and valve spring / One side	7.4	7.4	7.2	7.4	7.4	7.6	-	7.6	-
	ME00255		Valve and valve spring / Opposite side	2.2	2.2	2.2	2.7	2.7	2.8	-	2.8	-
	ME0025R	DO TC	Valve and valve spring / One side	-	8.9	8.7	10.6	10.6	10.3	-	-	-
	ME00255	DO TC	Valve and valve spring / Opposite side	-	3.0	3.0	3.6	3.6	3.3	-	-	-
	ME0025R	H6	Valve and valve spring / One side	11.8	11.8	11.4	-	-	-	11.8	-	14.6
	ME00255	H6	Valve and valve spring / Opposite side	1.8	1.8	1.8	-	-	-	1.8	-	1.8
	ME0025R	DE	Valve and valve spring / One side	-	12.1	12.5	-	-	12.1	-	-	-
	ME00255	DE	Valve and valve spring / Opposite side	-	2.8	2.8	-	-	2.8	-	-	-
	ME0025R	H4-FB	Valve and valve spring / One side	-	-	-	-	-	8.0	-	-	-
	ME00255	H4-FB	Valve and valve spring / Opposite side	-	-	-	-	-	1.8	-	-	-
26	ME0026R		Valve guide / One side	9.0	9.0	8.8	9.0	9.0	9.0	-	9.0	-
	ME0026R	DO TC	Valve guide / One side	-	10.5	10.4	12.2	12.2	11.0	-	-	-
	ME0026R	H6	Valve guide / One side	13.4	13.4	13.0	-	-	-	13.4	-	18.8
	ME0026R	DE	Valve guide / One side	-	13.0	13.4	-	-	13.0	-	-	-
	ME0026R	H4-FB	Valve guide / One side	-	-	-	-	-	9.5	-	-	-
27*	ME0027R		Valve seat / One side	9.0	9.0	9.0	9.0	9.0	9.0	-	9.0	-
	ME0027R	DO TC	Valve seat / One side	-	10.5	10.7	12.2	12.2	11.0	-	-	-
	ME0027R	H6	Valve seat / One side	13.4	13.4	13.0	-	-	-	13.4	-	11.8
28	ME0028R		Valve oil seal / One side	7.4	7.4	8.8	7.4	7.4	7.6	-	7.6	-
	ME0028R	DO TC	Valve oil seal / One side	-	8.9	10.4	10.6	10.6	10.3	-	-	-
	ME0028R	H6	Valve oil seal / One side	11.8	11.8	13.0	-	-	-	11.8	-	14.6
	ME0028R	DE	Valve oil seal / One side	-	12.2	12.6	-	-	12.2	-	-	-
	ME0028R	H4-FB	Valve oil seal / One side	-	-	-	-	-	8.0	-	-	-

ME

No.	Work No.	Vehicle Information	Work Description	TIME (HOURS)									
				Justy			TRE ZIA	IMPREZA				LEGACY	
				1	2	3		1	2	3	4	1	2
29	ME0029R		Cylinder block	9.3	8.6	10.9	-	9.8	9.8	9.8	-	9.8	9.8
	ME0029R	DO TC	Cylinder block	-	-	-	-	13.3	13.3	13.3	-	13.3	-
	ME0029R	H6	Cylinder block	-	-	-	-	-	-	-	-	-	-
	ME0029R	DE	Cylinder block	-	-	-	-	-	-	18.5	18.5	-	-
	ME0029R	H4-FB	Cylinder block	-	-	-	-	-	-	-	13.6	-	-
30	ME0030R		Crankshaft	9.3	8.1	-	14.1	10.2	10.2	10.2	-	10.2	10.2
	ME0030R	DO TC	Crankshaft	-	-	-	-	13.7	13.7	13.7	-	13.7	-
	ME0030R	H6	Crankshaft	-	-	-	-	-	-	-	-	-	-
	ME0030R	DE	Crankshaft	-	-	-	16.6	-	-	19.0	19.0	-	-
	ME0030R	H4-FB	Crankshaft	-	-	-	-	-	-	-	13.9	-	-
31	ME0031R		Crankshaft bearing	8.7	7.5	-	-	10.0	10.0	10.0	-	10.0	10.0
	ME0031R	DO TC	Crankshaft bearing	-	-	-	-	13.5	13.5	13.5	-	13.5	-
	ME0031R	H6	Crankshaft bearing	-	-	-	-	-	-	-	-	-	-
	ME0031R	DE	Crankshaft bearing	-	-	-	-	-	-	19.0	19.0	-	-
	ME0031R	H4-FB	Crankshaft bearing	-	-	-	-	-	-	-	14.1	-	-
32	ME0032R		Connecting rod	4.9	6.9	10.5	13.6	10.2	10.2	10.2	-	10.2	10.2
	ME0032R	DO TC	Connecting rod	-	-	-	-	13.7	13.7	13.7	-	13.7	-
	ME0032R	H6	Connecting rod	-	-	-	-	-	-	-	-	-	-
	ME0032R	DE	Connecting rod	-	-	-	15.9	-	-	19.0	19.0	-	-
	ME0032R	H4-FB	Connecting rod	-	-	-	-	-	-	-	13.9	-	-
33	ME0033R		Connecting rod bearing	2.1	1.9	10.5	13.1	10.2	10.2	10.2	-	10.2	10.2
	ME0033R	DO TC	Connecting rod bearing	-	-	-	-	13.7	13.7	13.7	-	13.7	-
	ME0033R	H6	Connecting rod bearing	-	-	-	-	-	-	-	-	-	-
	ME0033R	DE	Connecting rod bearing	-	-	-	16.0	-	-	19.0	19.0	-	-
	ME0033R	H4-FB	Connecting rod bearing	-	-	-	-	-	-	-	14.1	-	-
34	ME0034R		Piston & piston ring	4.9	6.9	-	14.0	8.8	8.8	8.9	-	8.8	8.8
	ME0034R	DO TC	Piston & piston ring	-	-	-	-	12.3	12.3	12.1	-	12.3	-
	ME0034R	H6	Piston & piston ring	-	-	-	-	-	-	-	-	-	-
	ME0034R	DE	Piston & piston ring	-	-	-	16.1	-	-	17.5	17.5	-	-
	ME0034R	H4-FB	Piston & piston ring	-	-	-	-	-	-	-	13.2	-	-
35	ME0035R		Retainer and retainer key / One side	-	-	-	-	7.4	7.4	7.5	-	7.4	7.4
	ME0035R	DO TC	Retainer and retainer key / One side	-	-	-	-	10.6	10.6	10.4	-	10.6	-
	ME0035R	H6	Retainer and retainer key / One side	-	-	-	-	-	-	-	-	-	-
	ME0035R	DE	Retainer and retainer key / One side	-	-	-	-	-	-	12.1	12.1	-	-
	ME0035R	H4-FB	Retainer and retainer key / One side	-	-	-	-	-	-	-	8.0	-	-
37	ME0037R		Valve lifter / One side	-	-	-	-	7.3	7.3	7.4	-	7.3	7.3
	ME0037R	DO TC	Valve lifter / One side	-	-	-	-	10.6	10.6	10.3	-	10.6	-
	ME0037R	H6	Valve lifter / One side	-	-	-	-	-	-	-	-	-	-

ME

No.	Work No.	Vehicle Information	Work Description	TIME (HOURS)								
				LEGACY			FORESTER			TRIB ECA	EXI GA	SVX
				3	4	5	1	2	3			
29	ME0029R		Cylinder block	9.8	10.0	9.8	9.8	9.8	9.8	-	9.8	-
	ME0029R	DO TC	Cylinder block	-	13.3	13.1	13.3	13.3	13.3	-	-	-
	ME0029R	H6	Cylinder block	14.1	14.4	14.0	-	-	-	14.4	-	13.9
	ME0029R	DE	Cylinder block	-	18.5	18.9	-	-	18.5	-	-	-
	ME0029R	H4-FB	Cylinder block	-	-	-	-	-	13.6	-	-	-
30	ME0030R		Crankshaft	10.2	10.2	10.0	10.2	10.2	10.2	-	10.2	-
	ME0030R	DO TC	Crankshaft	-	13.7	13.6	13.7	13.7	13.7	-	-	-
	ME0030R	H6	Crankshaft	15.2	16.1	15.6	-	-	-	16.1	-	14.5
	ME0030R	DE	Crankshaft	-	19.0	19.4	-	-	19.0	-	-	-
	ME0030R	H4-FB	Crankshaft	-	-	-	-	-	13.9	-	-	-
31	ME0031R		Crankshaft bearing	10.0	10.0	9.8	10.0	10.0	10.0	-	10.0	-
	ME0031R	DO TC	Crankshaft bearing	-	13.5	13.2	13.5	13.5	13.5	-	10.0	-
	ME0031R	H6	Crankshaft bearing	15.2	16.1	14.8	-	-	-	-	-	14.3
	ME0031R	DE	Crankshaft bearing	-	19.0	19.4	-	-	19.0	-	-	-
	ME0031R	H4-FB	Crankshaft bearing	-	-	-	-	-	14.1	-	-	-
32	ME0032R		Connecting rod	10.2	10.2	10.0	10.2	10.2	10.2	-	10.2	-
	ME0032R	DO TC	Connecting rod	-	13.7	13.6	13.7	13.7	13.7	-	-	-
	ME0032R	H6	Connecting rod	15.2	16.1	14.2	-	-	-	16.1	-	14.5
	ME0032R	DE	Connecting rod	-	19.0	19.4	-	-	19.0	-	-	-
	ME0032R	H4-FB	Connecting rod	-	-	-	-	-	13.9	-	-	-
33	ME0033R		Connecting rod bearing	10.2	10.2	10.0	10.2	10.2	10.2	-	10.2	-
	ME0033R	DO TC	Connecting rod bearing	-	13.7	13.6	13.7	13.7	13.7	-	-	-
	ME0033R	H6	Connecting rod bearing	15.2	16.1	13.8	-	-	-	16.1	-	14.5
	ME0033R	DE	Connecting rod bearing	-	19.0	19.4	-	-	19.0	-	-	-
	ME0033R	H4-FB	Connecting rod bearing	-	-	-	-	-	14.1	-	-	-
34	ME0034R		Piston & piston ring	8.8	8.8	8.6	8.8	8.8	8.8	-	8.8	-
	ME0034R	DO TC	Piston & piston ring	-	12.3	12.2	12.3	12.3	12.3	-	-	-
	ME0034R	H6	Piston & piston ring	13.1	13.4	13.0	-	-	-	13.4	-	12.9
	ME0034R	DE	Piston & piston ring	-	17.5	17.9	-	-	17.5	-	-	-
	ME0034R	H4-FB	Piston & piston ring	-	-	-	-	-	13.2	-	-	-
35	ME0035R		Retainer and retainer key / One side	7.4	7.4	7.2	7.4	7.4	7.5	-	7.5	-
	ME0035R	DO TC	Retainer and retainer key / One side	-	10.6	10.6	10.6	10.6	10.6	-	-	-
	ME0035R	H6	Retainer and retainer key / One side	11.8	11.8	11.4	-	-	-	11.8	-	14.6
	ME0035R	DE	Retainer and retainer key / One side	-	12.1	12.5	-	-	12.1	-	-	-
	ME0035R	H4-FB	Retainer and retainer key / One side	-	-	-	-	-	8.0	-	-	-
37	ME0037R		Valve lifter / One side	7.3	7.3	7.1	7.3	7.3	7.4	-	7.4	-
	ME0037R	DO TC	Valve lifter / One side	-	10.6	10.4	10.6	10.6	10.3	-	-	-
	ME0037R	H6	Valve lifter / One side	11.8	11.8	11.5	-	-	-	11.8	-	14.6

ME

No.	Work No.	Vehicle Information	Work Description	TIME (HOURS)									
				Justy			TRE ZIA	IMPREZA				LEGACY	
				1	2	3		1	2	3	4	1	2
39	ME0039R	AT	Rear oil seal	-	-	-	-	7.0	7.0	6.8	-	7.0	7.0
	ME0039R	MT	Rear oil seal	5.9	4.4	3.5	4.4	5.2	5.2	5.2	7.1	5.2	5.2
	ME0039R	T85	Rear oil seal	-	-	-	-	-	6.8	7.0	-	-	-
	ME0039R	CVT	Rear oil seal	-	-	-	-	-	-	-	5.1	-	-
42	ME0042R		Hydraulic lash adjuster	-	-	-	-	3.4	-	-	-	-	-
46	ME0046R		Water pump belt	-	0.8	-	-	-	-	-	-	-	-
47	ME0047R		Chain guide and tensioner lever	-	-	-	9.1	-	-	-	-	-	-
	ME0047R	DE	Chain guide and tensioner lever	-	-	-	11.0	-	-	3.8	-	-	-
	ME0047R	H4-FB	Chain guide and tensioner lever	-	-	-	-	-	-	-	3.9	-	-
48	ME0048R	H6	Chain tensioner	-	-	-	-	-	-	-	-	-	-
	ME0048R	DE	Chain tensioner	-	-	-	-	-	-	3.8	3.8	-	-
	ME0048R	H4-FB	Chain tensioner	-	-	-	-	-	-	-	3.9	-	-
49	ME0049R		Intake oil flow control solenoid valve	-	-	-	-	-	0.3	0.3	-	-	-
	ME0049R	DO TC	Intake oil flow control solenoid valve	-	-	-	-	-	0.1	0.3	-	-	-
	ME0049R	H6	Intake oil flow control solenoid valve	-	-	-	-	-	-	-	-	-	-
	ME0049R	H4-FB	Intake oil flow control solenoid valve	-	-	-	-	-	-	-	-	0.2	-
50	ME0050R		Exhaust oil flow control solenoid valve	-	-	-	-	-	0.4	0.4	-	-	-
	ME0050R	DO TC	Exhaust oil flow control solenoid valve	-	-	-	-	-	0.4	0.4	-	-	-
	ME0050R	H6	Exhaust oil flow control solenoid valve	-	-	-	-	-	-	-	-	-	-
	ME0050R	H4-FB	Exhaust oil flow control solenoid valve	-	-	-	-	-	-	-	-	0.2	-
51	ME0051R		Chain cover oil seal	-	-	-	1.0	-	-	-	-	-	-
	ME0051R	H6	Chain cover oil seal	-	-	-	-	-	-	0.8	-	-	-
	ME0051R	DE	Chain cover oil seal	-	-	-	1.4	-	-	2.6	2.6	-	-
	ME0051R	H4-FB	Chain cover oil seal	-	-	-	-	-	-	-	0.6	-	-
52	ME0052R	DE	Rocker cover gasket (injector) / One side	-	-	-	-	-	-	4.1	4.1	-	-
	ME00525	DE	Rocker cover gasket (injector) / Opposite side	-	-	-	-	-	-	1.1	1.1	-	-
53	ME0053R	DE	Reduction sprocket and sub gear	-	-	-	-	-	-	4.5	4.5	-	-
54	ME0054R	DE	Vacuum pump Assy and gasket	-	-	-	-	-	-	0.2	0.2	-	-
55	ME0055R	DE	Master vacuum hose	-	-	-	-	-	-	0.1	0.1	-	-
56	ME0056R	DE	Noise cushion	-	-	-	-	-	-	6.7	6.7	-	-
57	ME0057R	H6	V belt idler and automatic belt tension adjuster	-	-	-	-	-	-	-	-	-	-
	ME0057R	DE	V belt idler and automatic belt tension adjuster	-	-	-	-	-	-	0.2	0.2	-	-
	ME0057R	H4-FB	V belt idler and automatic belt tension adjuster	-	-	-	-	-	-	-	-	-	-

ME

No.	Work No.	Vehicle Information	Work Description	TIME (HOURS)								
				LEGACY			FORESTER			TRIB ECA	EXI GA	SVX
				3	4	5	1	2	3			
39	ME0039R	AT	Rear oil seal	7.0	7.0	7.0	7.0	7.0	6.8	7.0	-	7.3
	ME0039R	MT	Rear oil seal	5.2	5.2	5.9	5.2	5.2	5.2	-	-	7.7
	ME0039R	T85	Rear oil seal	-	7.0	-	-	-	-	-	-	-
	ME0039R	CVT	Rear oil seal	-	-	5.8	-	-	-	-	5.6	-
42	ME0042R		Hydraulic lash adjuster	-	-	-	-	-	-	-	-	8.3
46	ME0046R		Water pump belt	-	-	-	-	-	-	-	-	-
47	ME0047R		Chain guide and tensioner lever	2.8	2.8	3.2	-	-	-	3.0	-	-
	ME0047R	DE	Chain guide and tensioner lever	-	3.8	3.9	-	-	3.8	-	-	-
	ME0047R	H4-FB	Chain guide and tensioner lever	-	-	-	-	-	3.9	-	-	-
48	ME0048R	H6	Chain tensioner	2.8	2.8	3.2	-	-	-	3.0	-	-
	ME0048R	DE	Chain tensioner	-	3.8	3.9	-	-	2.8	-	-	-
	ME0048R	H4-FB	Chain tensioner	-	-	-	-	-	3.9	-	-	-
49	ME0049R		Intake oil flow control solenoid valve	0.3	0.3	0.3	-	0.3	0.3	-	-	-
	ME0049R	DO TC	Intake oil flow control solenoid valve	-	0.3	-	-	0.1	0.3	-	-	-
	ME0049R	H6	Intake oil flow control solenoid valve	-	0.1	0.1	-	-	-	0.1	-	-
	ME0049R	H4-FB	Intake oil flow control solenoid valve	-	-	-	-	-	0.2	-	-	-
50	ME0050R		Exhaust oil flow control solenoid valve	-	0.4	0.4	-	-	0.4	-	-	-
	ME0050R	DO TC	Exhaust oil flow control solenoid valve	-	0.4	0.4	-	0.4	0.4	-	-	-
	ME0050R	H6	Exhaust oil flow control solenoid valve	-	-	0.3	-	-	-	0.3	-	-
	ME0050R	H4-FB	Exhaust oil flow control solenoid valve	-	-	-	-	-	0.2	-	-	-
51	ME0051R		Chain cover oil seal	-	-	-	-	-	-	-	-	-
	ME0051R	H6	Chain cover oil seal	-	0.8	1.2	-	-	0.8	1.0	-	-
	ME0051R	DE	Chain cover oil seal	-	2.6	3.2	-	-	2.6	-	-	-
	ME0051R	H4-FB	Chain cover oil seal	-	-	-	-	-	0.6	-	-	-
52	ME0052R	DE	Rocker cover gasket (injector) / One side	-	4.1	5.5	-	-	4.1	-	-	-
	ME00525	DE	Rocker cover gasket (injector) / Opposite side	-	1.1	5.9	-	-	1.1	-	-	-
53	ME0053R	DE	Reduction sprocket and sub gear	-	4.5	5.1	-	-	4.5	-	-	-
54	ME0054R	DE	Vacuum pump Assy and gasket	-	0.2	0.2	-	-	0.2	-	-	-
55	ME0055R	DE	Master vacuum hose	-	0.1	0.1	-	-	0.1	-	-	-
56	ME0056R	DE	Noise cushion	-	6.7	7.1	-	-	6.7	-	-	-
57	ME0057R	H6	V belt idler and automatic belt tension adjuster	0.2	0.2	0.2	-	-	-	0.2	-	-
	ME0057R	DE	V belt idler and automatic belt tension adjuster	-	0.2	0.2	-	-	0.2	-	-	-
	ME0057R	H4-FB	V belt idler and automatic belt tension adjuster	-	-	-	-	-	0.2	-	-	-

ME

No.	Work No.	Vehicle Information	Work Description	TIME (HOURS)									
				Justy			TRE ZIA	IMPREZA				LEGACY	
				1	2	3		1	2	3	4	1	2
58	ME0058R		Short block engine Assy	-	-	-	12.7	8.2	8.2	8.2	-	-	8.2
	ME0058R	DO TC	Short block engine Assy	-	-	-	-	11.6	11.6	11.6	-	-	11.6
	ME0058R	H6	Short block engine Assy	-	-	-	-	-	-	-	-	-	12.6
	ME0058R	DE	Short block engine Assy	-	-	-	15.1	-	-	16.3	-	-	-
	ME0058R	H4-FB	Short block engine Assy	-	-	-	-	-	-	-	12.1	-	-
59	ME0059R		Rear timing belt cover	-	-	-	8.6	1.7	1.8	1.8	-	1.4	1.6
	ME0059R	DO TC	Rear timing belt cover	-	-	-	-	2.1	2.0	2.0	-	1.4	-
60	ME0060R		Front mounting bracket	-	-	-	-	-	-	-	-	-	-
61	ME0061R		Engine cushion rubber	-	-	-	-	-	-	-	-	-	-
62	ME0062R		Engine mount bracket	-	-	-	-	-	-	-	-	-	-
	ME0999Z		Other	**	**	**	**	**	**	**	**	**	**

ME

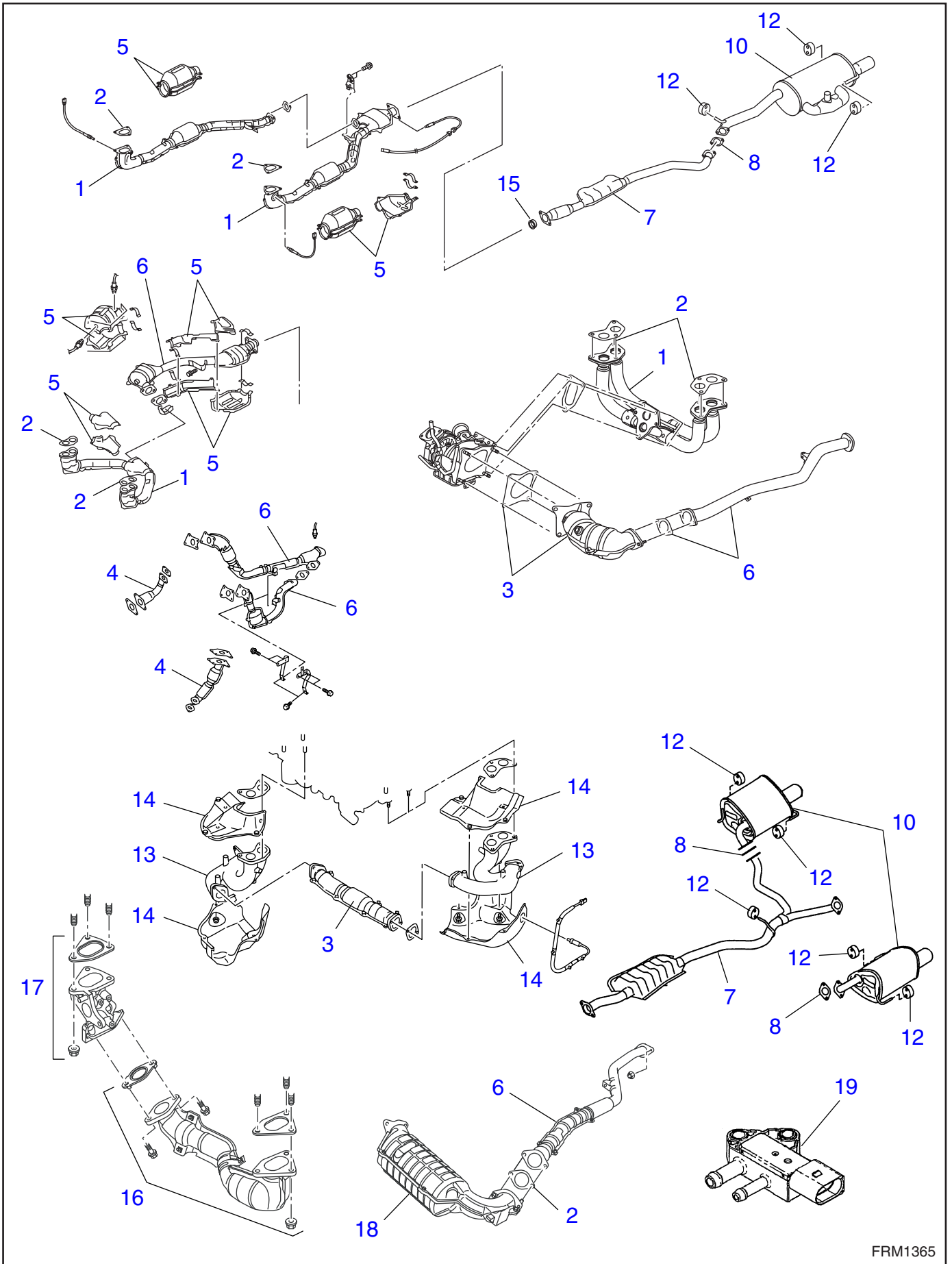
No.	Work No.	Vehicle Information	Work Description	TIME (HOURS)								
				LEGACY			FORESTER			TRIB ECA	EXI GA	SVX
				3	4	5	1	2	3			
58	ME0058R		Short block engine Assy	8.2	8.2	8.0	8.2	8.2	8.2	-	8.2	-
	ME0058R	DO TC	Short block engine Assy	11.6	11.6	11.5	11.6	11.6	11.6	-	-	-
	ME0058R	H6	Short block engine Assy	12.6	12.6	12.2	-	-	-	12.6	-	-
	ME0058R	DE	Short block engine Assy	-	16.3	16.7	-	-	16.3	-	-	-
	ME0058R	H4-FB	Short block engine Assy	-	-	-	-	-	12.1	-	-	-
59	ME0059R		Rear timing belt cover	1.6	1.6	1.6	1.7	1.8	1.8	-	1.8	-
	ME0059R	DO TC	Rear timing belt cover	-	1.6	2.2	2.1	1.9	2.0	-	-	-
60	ME0060R		Front mounting bracket	-	-	0.8	-	-	-	-	-	-
61	ME0061R		Engine cushion rubber	-	-	0.6	-	-	-	-	-	-
62	ME0062R		Engine mount bracket	-	-	0.8	-	-	-	-	-	-
	ME0999Z		Other	**	**	**	**	**	**	**	**	**

EX



EXHAUST

EX



FRM1365

EX

No.	Work No.	Vehicle Information	Work Description	TIME (HOURS)									
				Justy			TRE ZIA	IMPREZA				LEGACY	
				1	2	3		1	2	3	4	1	2
1	EX0001R		Front exhaust pipe / All	0.4	0.5	0.5	0.6	0.7	0.7	0.7	0.7	0.4	0.7
2	EX0002R		Front exhaust pipe gasket	0.3	0.3	0.5	0.4	0.3	0.3	0.7	0.7	0.3	0.3
	EX0002R	DE	Front exhaust pipe gasket	-	-	-	0.4	-	-	0.3	0.3	-	-
3	EX0003R	DO TC	Front joint pipe	-	-	-	-	0.5	0.5	-	-	0.5	-
4	EX0004R	DO TC	Turbocharger joint pipe	-	-	-	-	1.0	1.0	1.0	-	1.0	-
5	EX0005R		Exhaust pipe cover / All	-	-	-	-	1.0	1.0	0.8	0.8	1.0	1.0
	EX0005R	DO TC	Exhaust pipe cover / All	-	-	-	-	1.2	1.2	1.0	-	1.2	-
6	EX0006R		Center exhaust pipe	-	0.4	-	-	0.4	0.4	-	-	0.4	0.4
	EX0006R	DO TC	Center exhaust pipe	-	-	-	-	1.0	1.0	1.4	-	1.0	-
7	EX0007R		Rear exhaust pipe	-	-	-	-	0.3	0.3	0.2	0.2	0.2	0.3
8	EX0008R		Rear exhaust pipe gasket	-	-	-	-	0.2	0.2	0.2	0.2	0.2	0.2
10	EX0010R		Muffler Assy / One side	0.5	0.4	-	-	0.2	0.2	0.3	0.3	0.2	0.2
	EX00105		Muffler Assy / Opposite side	-	-	-	-	-	-	0.2	0.2	-	-
12	EX0012R		Muffler cushion rubber	0.5	0.3	0.4	-	0.1	0.1	0.1	0.1	0.1	0.1
13	EX0013R		Exhaust manifold	1.0	1.1	1.1	1.3	1.0	1.3	-	-	1.3	1.3
14	EX0014R		Exhaust manifold cover / All	-	-	0.8	0.5	0.3	0.3	-	-	0.3	0.3
15	EX0015R		Gasket	-	1.1	-	1.3	0.3	0.3	0.3	0.3	0.3	0.3
16	EX0016R	DE	Exhaust manifold LH and gasket	-	-	-	-	-	-	0.3	0.3	-	-
17	EX0017R	DE	Exhaust manifold RH and gasket	-	-	-	4.3	-	-	2.0	2.0	-	-
18	EX0018R	DE	Catalytic converter and DPF	-	-	-	3.5	-	-	0.6	0.6	-	-
19	EX0019R	DE	Differential pressure sensor	-	-	-	-	-	-	0.1	0.1	-	-
	EX0999Z		Other	**	**	**	**	**	**	**	**	**	**

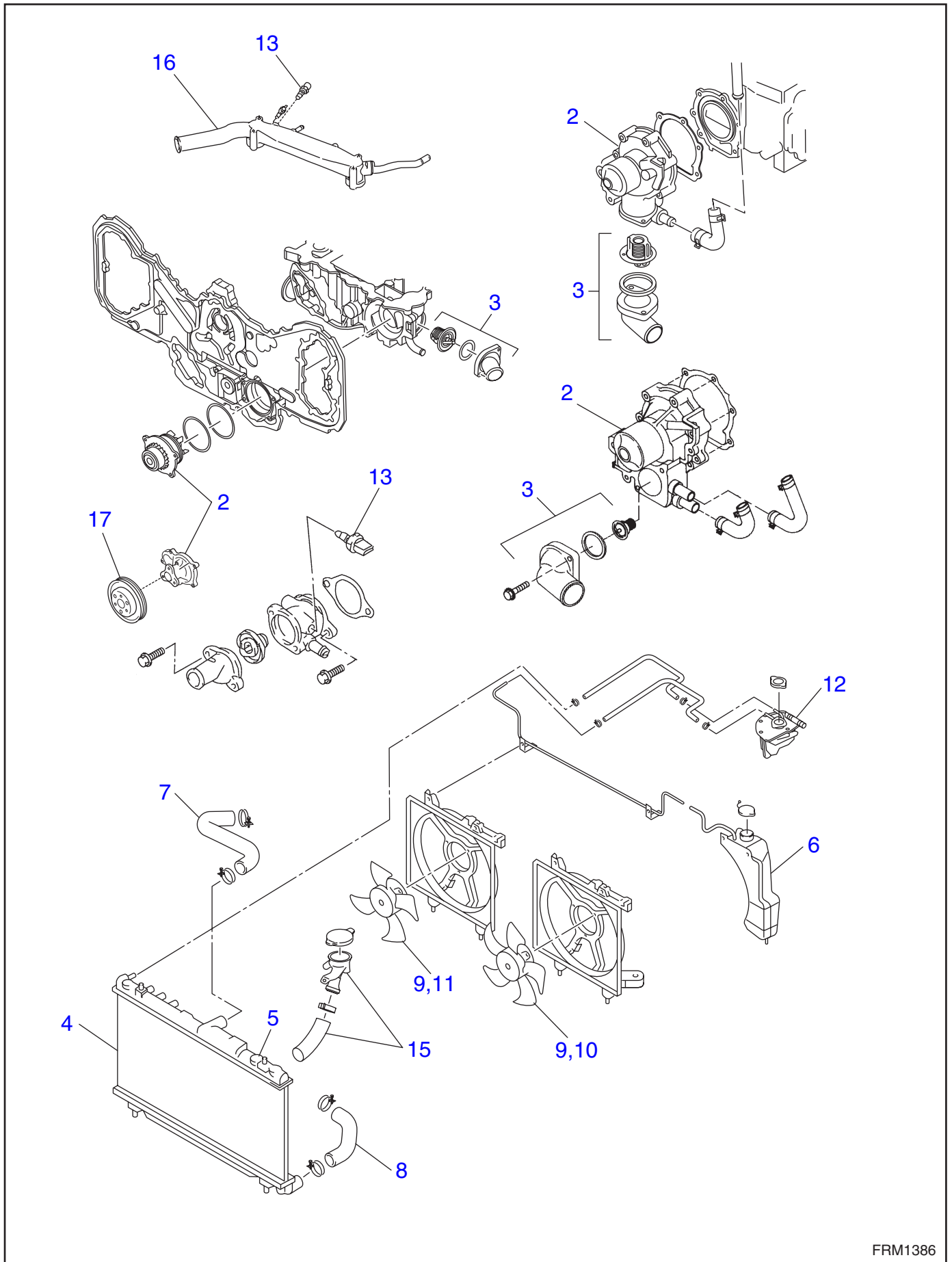
EX

No.	Work No.	Vehicle Information	Work Description	TIME (HOURS)									
				LEGACY			FORESTER			TRIB ECA	EXI GA	SVX	
				3	4	5	1	2	3				
1	EX0001R		Front exhaust pipe / All	0.7	0.7	0.7	0.7	0.7	0.7	0.7	0.7	0.7	0.8
2	EX0002R		Front exhaust pipe gasket	0.3	0.7	0.7	0.3	0.3	0.7	0.7	0.7	0.7	0.8
	EX0002R	DE	Front exhaust pipe gasket	-	0.3	0.3	-	-	0.3	-	-	-	-
3	EX0003R	DO TC	Front joint pipe	-	0.5	1.5	0.5	0.5	-	-	-	-	-
4	EX0004R	DO TC	Turbocharger joint pipe	-	1.0	-	1.0	1.0	1.0	-	-	-	-
5	EX0005R		Exhaust pipe cover / All	1.0	1.0	1.0	1.0	1.0	0.8	1.0	0.8	1.6	
	EX0005R	DO TC	Exhaust pipe cover / All	-	1.2	1.0	1.2	1.2	1.0	-	-	-	
6	EX0006R		Center exhaust pipe	0.4	0.4	0.4	0.4	0.4	-	0.4	-	0.4	
	EX0006R	DO TC	Center exhaust pipe	-	1.0	1.0	1.0	1.0	1.4	-	-	-	
7	EX0007R		Rear exhaust pipe	0.3	0.4	0.2	0.3	0.3	0.2	0.4	0.2	0.3	
8	EX0008R		Rear exhaust pipe gasket	0.2	0.4	0.2	0.2	0.2	0.2	0.4	0.2	0.2	
10	EX0010R		Muffler Assy / One side	0.2	0.2	0.3	0.2	0.2	0.3	0.2	0.2	0.4	
	EX00105		Muffler Assy / Opposite side	0.2	0.2	0.2	-	-	0.2	0.2	0.2	-	
12	EX0012R		Muffler cushion rubber	0.1	0.1	0.1	0.1	0.1	0.1	0.1	0.1	0.1	
13	EX0013R		Exhaust manifold	1.3	-	-	1.0	1.0	-	-	-	1.7	
14	EX0014R		Exhaust manifold cover / All	0.3	-	-	0.3	0.3	-	-	-	0.6	
15	EX0015R		Gasket	0.3	0.3	0.3	0.3	0.3	0.3	0.3	0.3	0.5	
16	EX0016R	DE	Exhaust manifold LH and gasket	-	0.3	0.3	-	-	0.3	-	-	-	
17	EX0017R	DE	Exhaust manifold RH and gasket	-	2.0	2.0	-	-	2.0	-	-	-	
18	EX0018R	DE	Catalytic converter and DPF	-	0.4	1.2	-	-	0.6	-	-	-	
19	EX0019R	DE	Differential pressure sensor	-	-	0.1	-	-	0.1	-	-	-	
	EX0999Z		Other	**	**	**	**	**	**	**	**	**	

CO

COOLING





CO

No.	Work No.	Vehicle Information	Work Description	TIME (HOURS)									
				Justy			TRE ZIA	IMPREZA				LEGACY	
				1	2	3		1	2	3	4	1	2
1*	CO0001R		Engine coolant	0.5	0.5	0.5	0.6	0.5	0.5	0.5	0.5	1.0	0.5
2	CO0002R		Water pump Assy and gasket	2.2	1.8	0.8	1.2	2.4	2.4	2.5	-	2.4	2.4
	CO0002R	DO TC	Water pump Assy and gasket	-	-	-	-	3.2	3.2	3.2	-	3.2	-
	CO0002R	H6	Water pump Assy and gasket	-	-	-	-	-	-	-	-	-	-
	CO0002R	DE	Water pump Assy and gasket	-	-	-	1.4	-	-	0.4	0.4	-	-
	CO0002R	H4-FB	Water pump Assy	-	-	-	-	-	-	-	0.8	-	-
3	CO0003R		Thermostat, case and gasket	0.6	1.4	0.8	1.1	0.4	0.4	0.4	-	0.4	0.4
	CO0003R	H6	Thermostat, case and gasket	-	-	-	-	-	-	-	-	-	-
	CO0003R	DE	Thermostat, case and gasket	-	-	-	1.2	-	-	0.3	0.3	-	-
4	CO0004R		Radiator	0.8	0.8	1.3	1.9	1.1	1.1	1.2	1.2	1.1	1.1
	CO0004R	DE	Radiator	-	-	-	2.9	-	-	-	1.2	-	-
5	CO0005R		Radiator cap	0.1	0.1	-	-	0.1	0.1	0.1	0.1	0.1	0.1
6	CO0006R		Reservoir tank	0.1	0.3	0.3	0.3	0.2	0.2	0.2	0.2	0.2	0.2
7	CO0007R		Radiator inlet hose	0.4	0.5	0.7	0.8	0.6	0.6	0.6	0.6	0.6	0.6
8	CO0008R		Radiator outlet hose	0.9	0.9	1.0	0.8	0.9	0.9	1.0	1.0	0.9	0.9
9	CO0009R		Fan and motor Assy	0.6	0.8	0.9	0.8	0.3	0.4	-	-	0.4	0.4
	CO0009R	DE	Fan and motor Assy	-	-	-	2.9	-	-	-	2.9	-	-
10	CO0010R		Fan and motor Assy / Main	-	-	-	-	0.3	0.3	0.2	0.2	0.3	0.3
11	CO0011R		Fan and motor Assy / Sub	-	-	-	-	0.3	0.3	0.2	0.2	0.3	0.3
12	CO0012R		Coolant filler tank	-	-	-	-	0.2	0.2	-	-	0.2	-
13	CO0013R		Thermo switch (Sensor)	0.3	0.3	-	-	-	-	-	-	-	-
14*	CO0014R		Water temperature switch 2 (Sensor)	0.4	0.3	-	0.9	-	-	-	-	-	-
15	CO0015R		Radiator filler neck and hose	-	-	-	-	-	-	-	-	-	-
16	CO0016R		Water pipe	-	-	-	-	2.2	2.2	1.5	-	-	-
	CO0016R	DO TC	Water pipe	-	-	-	-	2.5	2.5	2.2	-	-	-
	CO0016R	H4-FB	Water pipe	-	-	-	-	-	-	-	1.6	-	-
17	CO0017R	H4-FB	Water pump pulley	-	-	-	-	-	-	-	0.3	-	-
	CO0999Z		Other	**	**	**	**	**	**	**	**	**	**

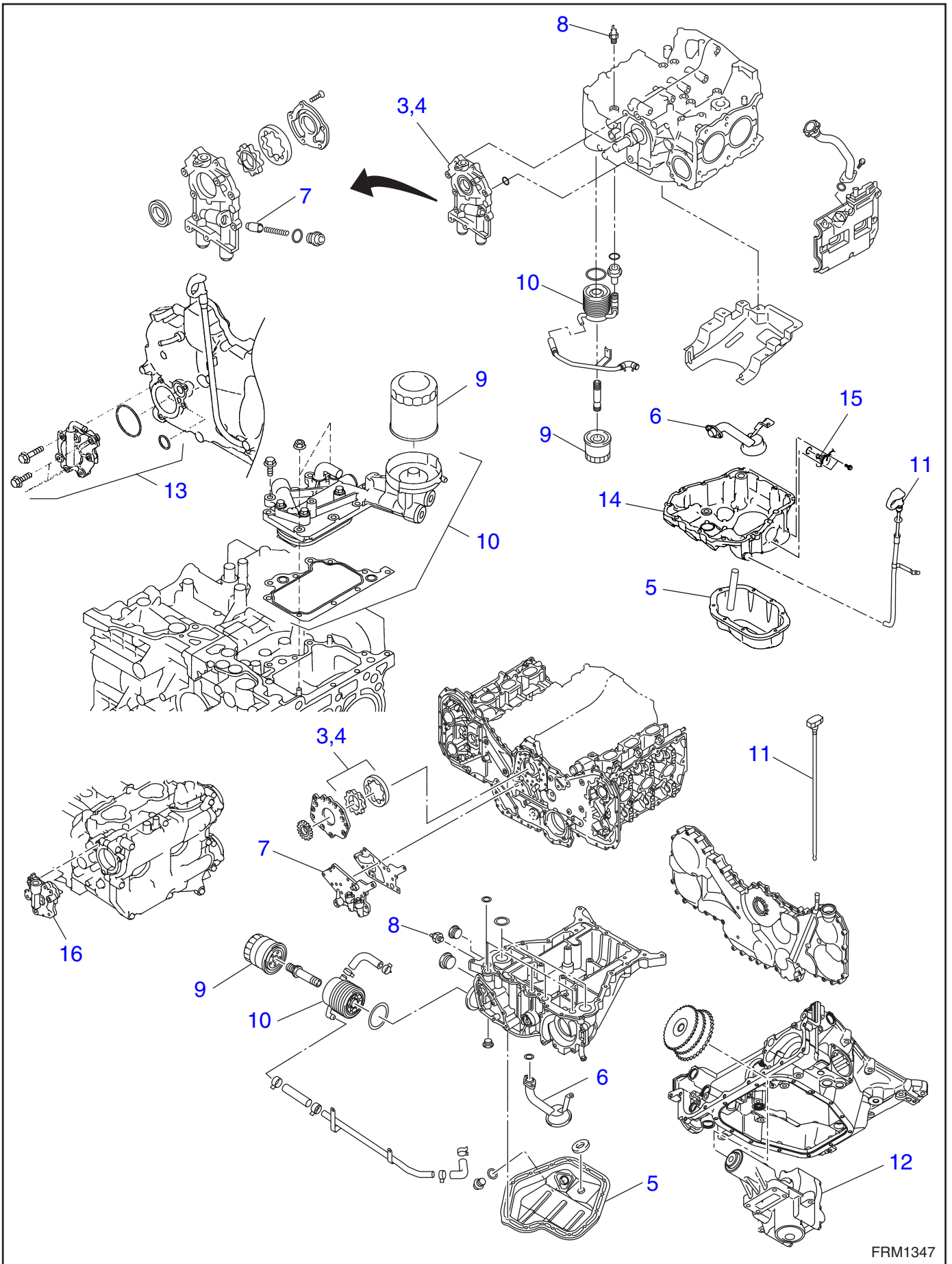
CO

No.	Work No.	Vehicle Information	Work Description	TIME (HOURS)									
				LEGACY			FORESTER			TRIB ECA	EXI GA	SVX	
				3	4	5	1	2	3				
1*	CO0001R		Engine coolant	0.5	0.5	0.5	0.5	0.5	0.5	0.5	0.5	0.5	0.5
2	CO0002R		Water pump Assy and gasket	2.4	2.0	2.0	2.4	2.4	2.5	-	2.5	-	-
	CO0002R	DO TC	Water pump Assy and gasket	-	2.1	2.2	3.2	3.2	3.2	-	-	-	-
	CO0002R	H6	Water pump Assy and gasket	2.7	2.7	2.8	-	-	-	2.7	-	-	2.6
	CO0002R	DE	Water pump Assy and gasket	-	0.4	0.4	-	-	0.4	-	-	-	-
	CO0002R	H4-FB	Water pump Assy	-	-	-	-	-	0.8	-	-	-	-
3	CO0003R		Thermostat, case and gasket	0.4	0.4	0.4	0.4	0.4	0.4	-	0.4	0.8	-
	CO0003R	H6	Thermostat, case and gasket	0.9	0.9	0.9	-	-	-	0.9	-	-	-
	CO0003R	DE	Thermostat, case and gasket	-	0.3	0.3	-	-	0.3	-	-	-	-
4	CO0004R		Radiator	1.1	1.1	1.1	1.1	1.1	1.2	1.2	1.1	1.1	-
	CO0004R	DE	Radiator	-	1.1	1.1	-	-	1.2	-	-	-	-
5	CO0005R		Radiator cap	0.1	0.1	0.1	0.1	0.1	0.1	0.1	0.1	0.1	0.1
6	CO0006R		Reservoir tank	0.2	0.2	0.2	0.2	0.2	0.2	0.2	0.2	0.2	0.4
7	CO0007R		Radiator inlet hose	0.6	0.6	0.6	0.6	0.6	0.6	0.6	0.6	0.6	0.6
8	CO0008R		Radiator outlet hose	0.9	0.9	0.9	0.9	0.9	1.0	1.0	0.9	0.8	-
9	CO0009R		Fan and motor Assy	0.4	0.4	0.4	0.4	0.4	-	0.4	-	0.4	-
	CO0009R	DE	Fan and motor Assy	-	0.4	0.4	-	-	0.4	-	-	-	-
10	CO0010R		Fan and motor Assy / Main	0.3	0.3	0.3	0.3	0.3	0.2	0.3	0.2	0.4	-
11	CO0011R		Fan and motor Assy / Sub	0.3	0.3	0.3	0.3	0.3	0.2	0.3	0.2	0.3	-
12	CO0012R		Coolant filler tank	-	0.2	-	0.2	0.2	-	-	-	0.2	-
13	CO0013R		Thermo switch (Sensor)	-	-	-	-	-	-	-	-	-	-
14*	CO0014R		Water temperature switch 2 (Sensor)	-	-	-	-	-	-	-	-	-	-
15	CO0015R		Radiator filler neck and hose	-	-	-	-	-	-	0.2	-	-	-
16	CO0016R		Water pipe	2.2	1.5	1.6	-	2.2	1.5	-	1.5	-	-
	CO0016R	DO TC	Water pipe	-	2.2	2.3	2.5	2.5	2.2	-	-	-	-
	CO0016R	H4-FB	Water pipe	-	-	-	-	-	1.6	-	-	-	-
17	CO0017R	H4-FB	Water pump pulley	-	-	-	-	-	0.3	-	-	-	-
	CO0999Z		Other	**	**	**	**	**	**	**	**	**	**

LU

LUBRICATION





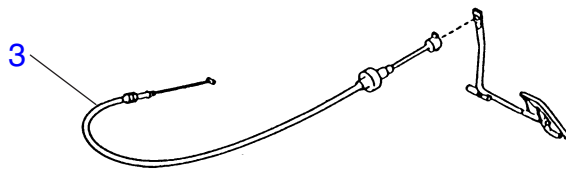
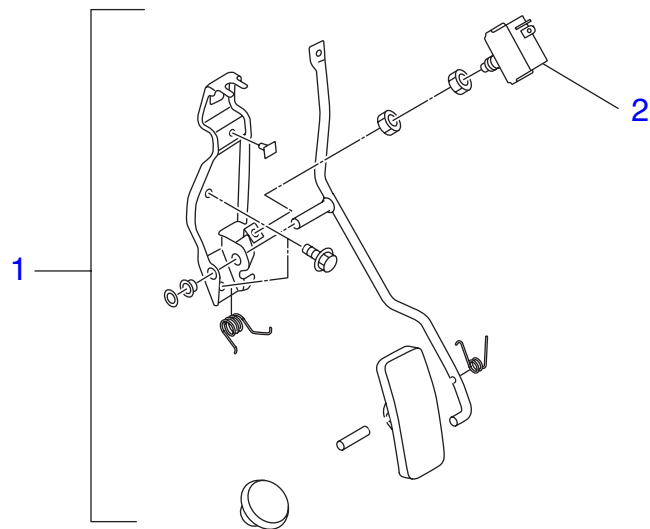
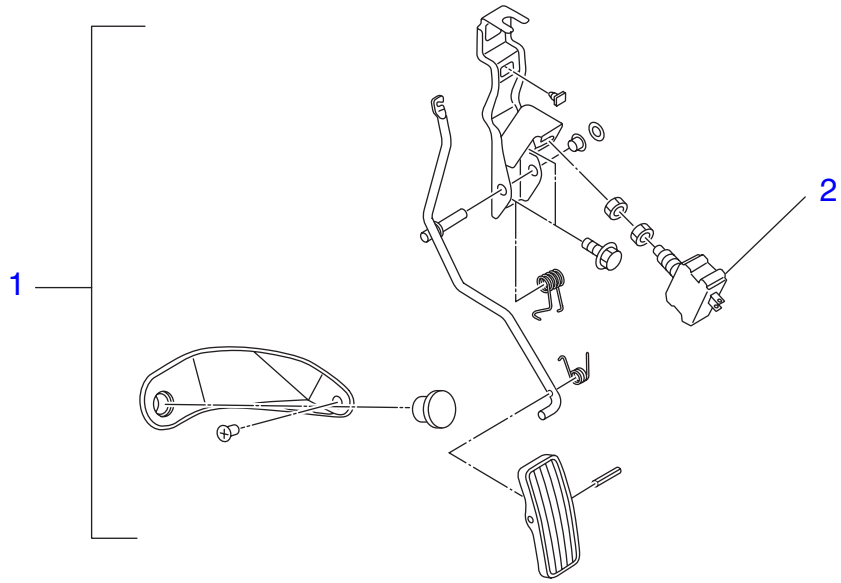
No.	Work No.	Vehicle Information	Work Description	TIME (HOURS)									
				Justy			TRE ZIA	IMPREZA				LEGACY	
				1	2	3		1	2	3	4	1	2
1*	LU0001M		Engine oil pressure	0.3	0.3	0.3	-	0.3	0.3	0.3	0.3	0.3	0.3
2*	LU0002R		Engine oil	0.3	0.3	0.3	0.5	0.3	0.3	0.3	0.3	0.3	0.3
	LU0002R	DE	Engine oil	-	-	-	0.5	-	-	0.5	0.5	-	-
3	LU0003R		Oil pump Assy / On car service	-	-	-	-	1.9	1.9	1.9	-	1.9	1.9
	LU0003R	DO TC	Oil pump Assy / On car service	-	-	-	-	2.0	2.0	2.0	-	2.0	-
	LU0003R	H6	Oil pump Assy (3.0 and 3.3 liter model) / On car service	-	-	-	-	-	-	-	-	-	-
	LU0003R	DE	Oil pump Assy	-	-	-	11.2	-	-	8.2	8.2	-	-
4	LU0004R		Oil pump Assy	3.7	3.2	6.9	-	-	-	-	-	-	-
5	LU0005R		Oil pan and / or oil pan plate	1.2	2.5	1.2	9.6	1.2	1.8	1.4	1.4	1.8	1.2
	LU0005R	DO TC	Oil pan and / or oil pan plate	-	-	-	-	1.2	1.8	1.8	-	1.8	-
	LU0005R	DE	Oil pan and / or oil pan plate	-	-	-	13.2	-	-	6.0	6.0	-	-
6	LU0006R		Oil strainer	1.3	1.2	-	-	1.3	1.9	1.4	1.4	1.9	1.3
	LU0006R	DO TC	Oil strainer	-	-	-	-	1.3	1.9	1.9	-	1.9	-
	LU0006R	DE	Oil strainer	-	-	-	-	-	-	5.1	5.1	-	-
7	LU0007R		Oil pump relief valve / On car service	-	-	-	-	1.9	1.9	1.9	-	1.9	1.9
	LU0007R	DO TC	Oil pump relief valve / On car service	-	-	-	-	2.0	2.0	2.0	-	2.0	-
	LU0007R	H6	Oil pump relief valve / On car service	-	-	-	-	-	-	-	-	-	-
8	LU0008R		Oil pressure switch	0.5	0.4	0.4	0.3	0.3	0.3	0.3	0.3	0.3	0.3
9	LU0009R		Oil filter	0.4	0.4	0.5	0.6	0.3	0.3	0.3	-	0.3	0.3
	LU0009R	H4-FB	Oil filter	-	-	-	-	-	-	-	0.2	-	-
10	LU0010R		Oil cooler	-	-	-	-	1.1	1.1	0.8	-	1.1	1.1
	LU0010R	DE	Oil cooler Assy and gasket	-	-	-	2.3	-	-	6.5	6.5	-	-
11	LU0011R		Oil level gauge	0.1	0.1	0.2	0.1	0.1	0.1	0.1	0.1	0.1	0.1
12	LU0012R	H6	Oil pump Assy (3.6 little model) / On car service	-	-	-	-	-	-	-	-	-	-
13	LU0013R	DE	Scavenge pump Assy and gasket	-	-	-	-	-	-	0.4	0.4	-	-
14	LU0014R		Oil pan upper	-	-	-	-	-	-	-	-	-	-
	LU0014R	H6	Oil pan upper	-	-	-	-	-	-	-	-	-	-
	LU0014R	DE	Oil pan upper	-	-	-	-	-	-	5.6	-	-	-
	LU0014R	H4-FB	Oil pan upper	-	-	-	-	-	-	-	6.9	-	-
15	LU0015R		Oil level switch	-	-	-	-	-	-	-	0.7	-	-
	LU0015R	DE	Oil level switch	-	-	-	-	-	-	-	3.2	-	-
16	LU0016R		Scavenger pump	-	-	-	-	-	-	-	-	-	-
	LU0999Z		Other	**	**	**	**	**	**	**	**	**	**

No.	Work No.	Vehicle Information	Work Description	TIME (HOURS)								
				LEGACY			FORESTER			TRIB ECA	EXI GA	SVX
				3	4	5	1	2	3			
1*	LU0001M		Engine oil pressure	0.3	0.3	0.2	0.3	0.3	0.3	0.3	0.3	0.3
2*	LU0002R		Engine oil	0.3	0.3	0.3	0.3	0.3	0.3	0.3	0.3	0.3
	LU0002R	DE	Engine oil	-	0.5	0.5	-	-	0.5	-	-	-
3	LU0003R		Oil pump Assy / On car service	1.9	1.6	1.6	1.9	1.9	1.9	-	1.9	-
	LU0003R	DO TC	Oil pump Assy / On car service	-	1.6	1.8	2.0	2.0	2.0	-	-	-
	LU0003R	H6	Oil pump Assy (3.0 and 3.3 liter model) / On car service	2.2	2.9	-	-	-	-	2.9	-	2.7
	LU0003R	DE	Oil pump Assy	-	8.2	8.6	-	-	8.2	-	-	-
4	LU0004R		Oil pump Assy	-	-	-	-	-	-	-	-	-
5	LU0005R		Oil pan and / or oil pan plate	1.2	1.4	1.4	1.2	1.5	1.4	1.4	1.4	2.1
	LU0005R	DO TC	Oil pan and / or oil pan plate	-	1.4	2.5	1.2	1.2	1.8	-	-	-
	LU0005R	DE	Oil pan and / or oil pan plate	-	6.0	0.8	-	-	6.0	-	-	-
6	LU0006R		Oil strainer	1.3	1.5	1.5	1.3	1.6	1.5	1.6	1.5	-
	LU0006R	DO TC	Oil strainer	-	1.5	2.6	1.3	1.3	1.9	-	-	-
	LU0006R	DE	Oil strainer	-	5.1	0.9	-	-	5.1	-	-	-
7	LU0007R		Oil pump relief valve / On car service	1.9	1.6	-	1.9	1.9	1.9	-	1.9	-
	LU0007R	DO TC	Oil pump relief valve / On car service	-	-	-	2.0	2.0	2.0	-	-	-
	LU0007R	H6	Oil pump relief valve / On car service	2.2	2.2	-	-	-	-	2.2	-	2.2
8	LU0008R		Oil pressure switch	0.3	0.3	0.3	0.3	0.3	0.3	0.3	0.3	0.4
9	LU0009R		Oil filter	0.3	0.3	0.3	0.3	0.3	0.3	0.3	0.3	0.4
	LU0009R	H4-FB	Oil filter	-	-	-	-	-	0.2	-	-	-
10	LU0010R		Oil cooler	1.1	1.1	1.1	1.1	1.1	0.8	1.1	0.8	1.2
	LU0010R	DE	Oil cooler Assy and gasket	-	6.5	6.9	-	-	6.5	-	-	-
11	LU0011R		Oil level gauge	0.1	0.1	0.1	0.1	0.1	0.1	0.1	0.1	0.1
12	LU0012R	H6	Oil pump Assy (3.6 little model) / On car service	-	-	4.0	-	-	-	4.0	-	2.7
13	LU0013R	DE	Scavenge pump Assy and gasket	-	0.4	0.4	-	-	0.4	-	-	-
14	LU0014R		Oil pan upper	-	-	2.2	-	-	-	-	-	-
	LU0014R	H6	Oil pan upper	-	-	4.8	-	-	-	4.8	-	-
	LU0014R	DE	Oil pan upper	-	5.6	6.0	-	-	5.6	-	-	-
	LU0014R	H4-FB	Oil pan upper	-	-	-	-	-	6.9	-	-	-
15	LU0015R		Oil level switch	-	-	0.4	-	-	-	-	-	-
	LU0015R	DE	Oil level switch	-	-	4.9	-	-	-	-	-	-
16	LU0016R		Scavenger pump	-	-	0.4	-	-	-	-	-	-
	LU0999Z		Other	**	**	**	**	**	**	**	**	**

SP

SPEED CONTROL SYSTEMS





SP

No.	Work No.	Vehicle Information	Work Description	TIME (HOURS)									
				Justy			TRE ZIA	IMPREZA				LEGACY	
				1	2	3		1	2	3	4	1	2
1	SP0001R		Accelerator pedal Assy	0.4	0.3	0.4	0.2	0.4	0.4	0.2	0.2	0.4	0.4
2	SP0002R		Kick down switch	-	-	-	-	0.2	0.2	-	-	0.2	0.2
3	SP0003R		Accelerator cable	0.6	0.3	0.5	-	0.2	0.2	-	-	0.2	0.2
	SP0999Z		Other	**	**	**	**	**	**	**	**	**	**

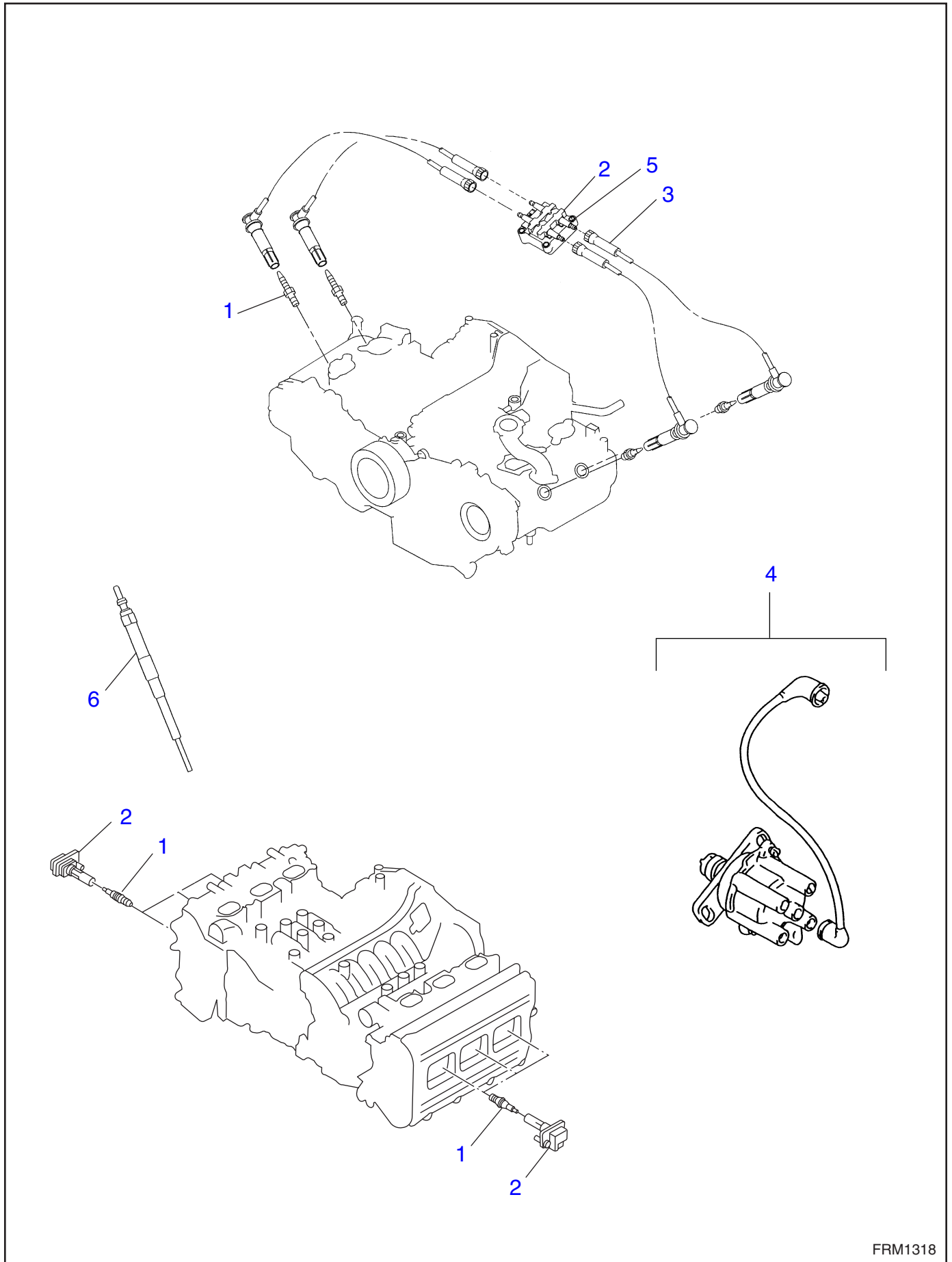
SP

No.	Work No.	Vehicle Information	Work Description	TIME (HOURS)								
				LEGACY			FORESTER			TRIB ECA	EXI GA	SVX
				3	4	5	1	2	3			
1	SP0001R		Accelerator pedal Assy	0.4	0.2	0.2	0.4	0.4	0.2	0.4	-	0.5
2	SP0002R		Kick down switch	0.2	-	-	0.2	0.2	-	-	-	0.3
3	SP0003R		Accelerator cable	0.2	-	-	0.2	0.2	-	-	-	0.5
	SP0999Z		Other	**	**	**	**	**	**	**	**	**

IG

IGNITION





IG

No.	Work No.	Vehicle Information	Work Description	TIME (HOURS)									
				Justy			TRE ZIA	IMPREZA				LEGACY	
				1	2	3		1	2	3	4	1	2
1	IG0001R		Spark plug / All	0.4	0.6	0.4	0.4	0.4	0.4	0.6	-	0.4	0.4
	IG0001R	DO TC	Spark plug / All	-	-	-	-	0.6	0.6	0.8	-	0.6	-
	IG0001R	H6	Spark plug / All	-	-	-	-	-	-	-	-	-	-
	IG0001R	H4-FB	Spark plug / All	-	-	-	-	-	-	-	0.8	-	-
2	IG0002R		Ignition coil and Ignitor Assy	0.3	0.5	0.5	0.4	0.2	0.2	0.4	0.4	0.2	0.2
	IG0002R	DO TC	Ignition coil and Ignitor Assy	-	-	-	-	0.3	0.3	0.5	-	0.3	-
	IG0002R	H6	Ignition coil and Ignitor Assy	-	-	-	-	-	-	-	-	-	-
3	IG0003R		Spark plug code / All	0.3	0.5	-	-	0.2	0.2	-	-	0.2	0.2
4	IG0004R		Distributor Assy	0.4	-	-	-	-	-	-	-	-	-
5	IG0005R		Ignition coil CP	0.3	0.3	0.4	-	-	-	-	-	0.2	-
6	IG0006R	DE	Glow plug / One side	-	-	-	0.7	-	-	0.3	0.3	-	-
	IG0999Z		Other	**	**	**	**	**	**	**	**	**	**

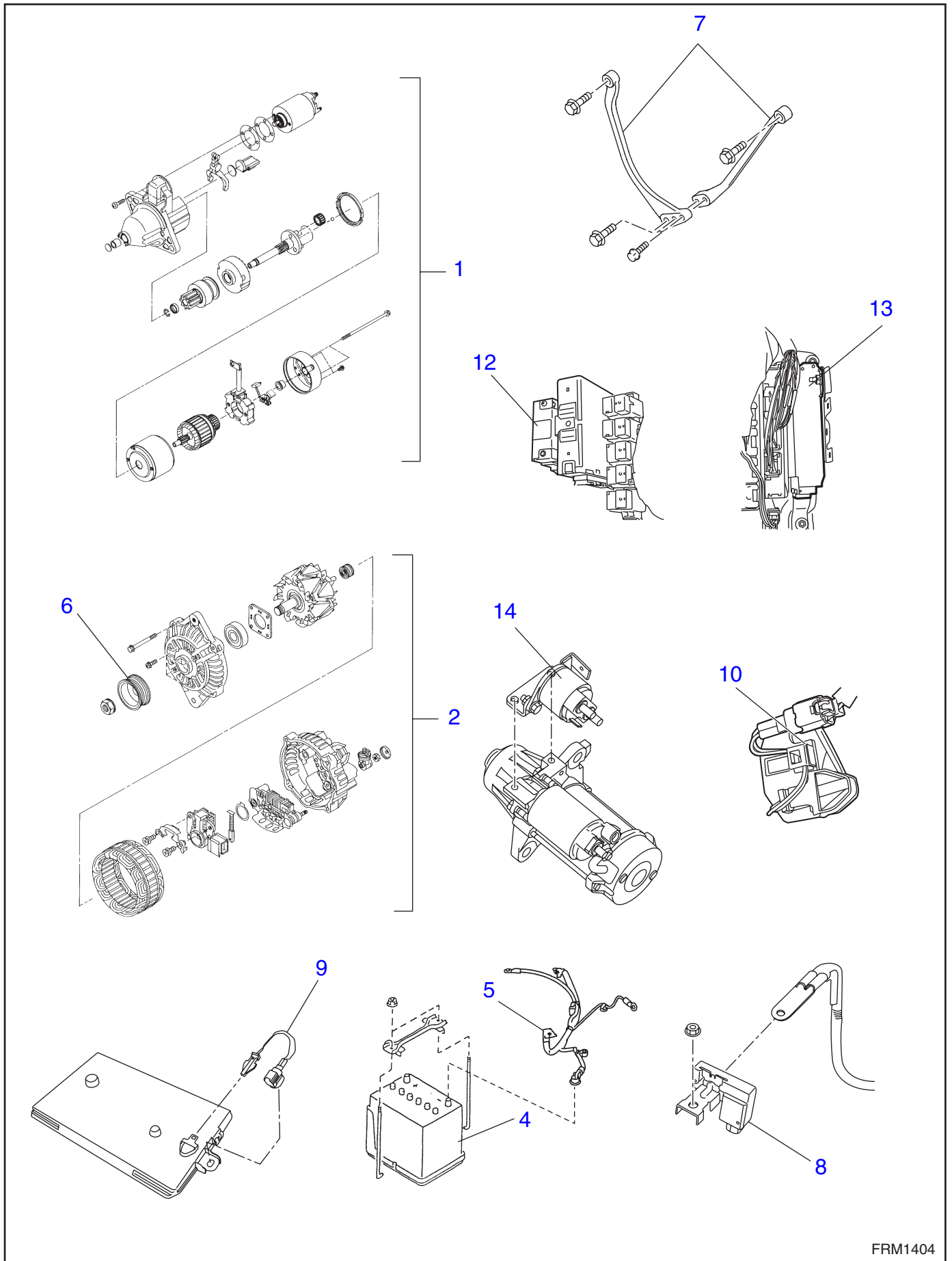
IG

No.	Work No.	Vehicle Information	Work Description	TIME (HOURS)								
				LEGACY			FORESTER			TRIB ECA	EXI GA	SVX
				3	4	5	1	2	3			
1	IG0001R		Spark plug / All	0.4	0.4	0.6	0.4	0.4	0.6	-	0.6	-
	IG0001R	DO TC	Spark plug / All	-	0.6	1.0	0.6	0.6	0.8	-	-	-
	IG0001R	H6	Spark plug / All	1.0	0.9	1.1	-	-	-	0.7	-	0.6
	IG0001R	H4-FB	Spark plug / All	-	-	-	-	-	0.8	-	-	-
2	IG0002R		Ignition coil and Ignitor Assy	0.2	0.4	0.4	0.2	0.2	0.4	-	0.4	-
	IG0002R	DO TC	Ignition coil and Ignitor Assy	-	0.4	0.4	0.3	0.3	0.5	-	-	-
	IG0002R	H6	Ignition coil and Ignitor Assy	0.3	0.5	0.6	-	-	-	0.5	-	0.3
3	IG0003R		Spark plug code / All	0.2	-	-	0.2	0.2	-	-	-	0.2
4	IG0004R		Distributor Assy	-	-	-	-	-	-	-	-	-
5	IG0005R		Ignition coil CP	-	-	-	-	-	-	-	-	0.5
6	IG0006R	DE	Glow plug / One side	-	0.3	0.3	-	-	0.3	-	-	-
	IG0999Z		Other	**	**	**	**	**	**	**	**	**

SC

STARTING / CHARGING SYSTEMS





SC

No.	Work No.	Vehicle Information	Work Description	TIME (HOURS)									
				Justy			TRE ZIA	IMPREZA				LEGACY	
				1	2	3		1	2	3	4	1	2
1	SC0001R		Starter Assy	0.5	0.6	0.5	0.5	0.3	0.3	0.4	0.4	0.3	0.3
2	SC0002R		Generator Assy / On car	0.8	0.6	0.8	0.5	0.2	0.2	0.3	-	0.2	0.2
	SC0002R	H4-FB	Generator Assy / On car	-	-	-	-	-	-	-	0.4	-	-
4	SC0004R		Battery	0.3	0.3	0.3	0.3	0.3	0.3	0.3	0.3	0.3	0.3
5	SC0005R		Battery cable	0.3	0.2	-	-	0.3	0.3	0.3	0.3	0.3	0.3
6	SC0006R	DE	Generator pulley / On car	-	-	-	-	-	-	0.2	0.2	-	-
7	SC0007R		Stopper rod	-	-	-	-	-	-	-	-	-	-
8	SC0008R		Battery temperature sensor	-	-	-	-	-	-	-	0.1	-	-
9	SC0009R		Battery current & temperature sensor	-	-	-	-	-	-	-	-	-	-
10	SC0010R		Battery current sensor	-	-	-	-	-	-	-	0.4	-	-
11*	SC0011R		Auto start stop main relay	-	-	-	-	-	-	-	0.1	-	-
12	SC0012R		Auto start stop ECM	-	-	-	-	-	-	-	0.4	-	-
13	SC0013R		Auto start stop DC-DC converter	-	-	-	-	-	-	-	0.6	-	-
14	SC0014R		Auto start stop relay (ICR)	-	-	-	-	-	-	-	0.4	-	-
	SC0999Z		Other	**	**	**	**	**	**	**	**	**	**

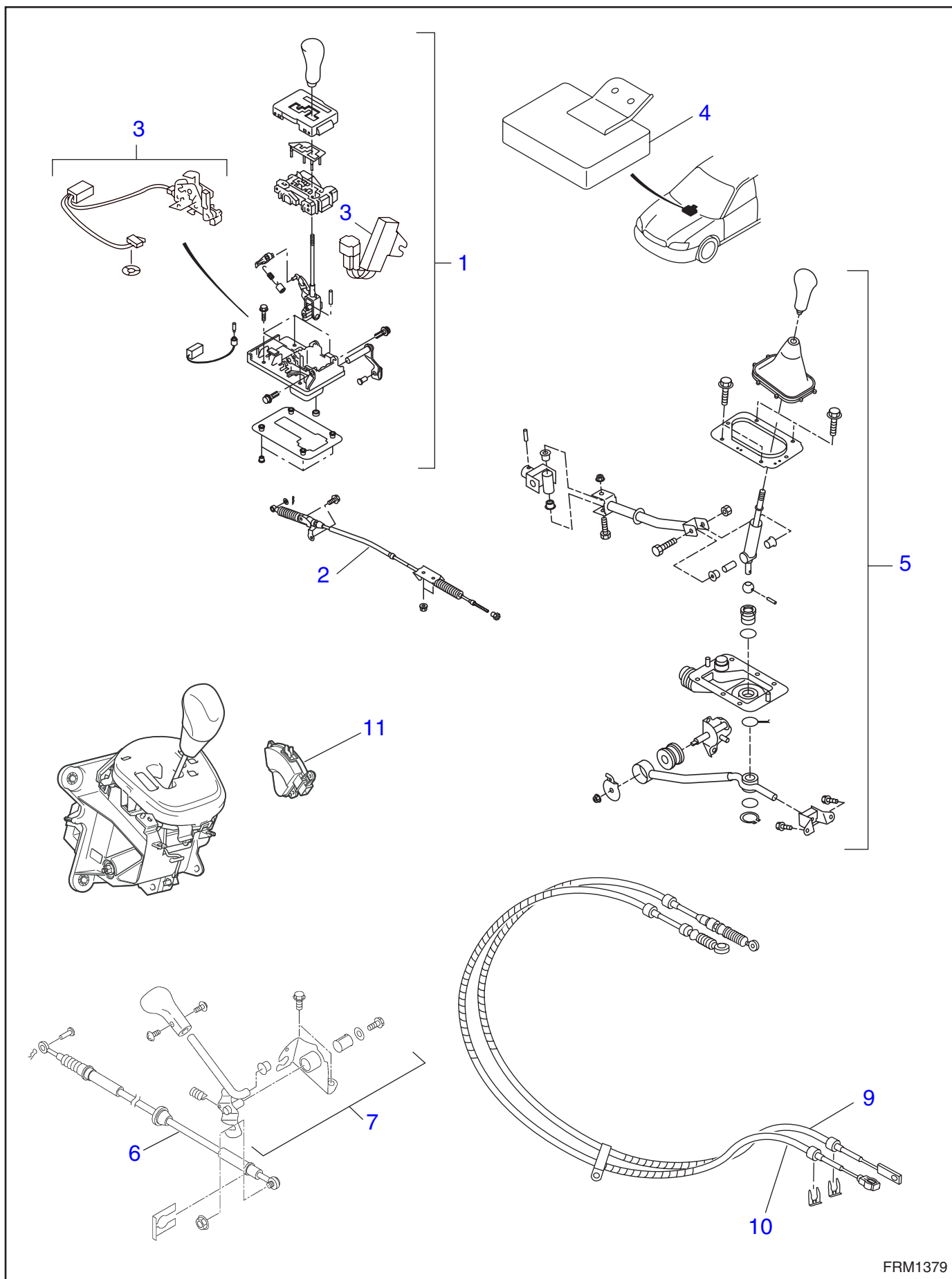
SC

No.	Work No.	Vehicle Information	Work Description	TIME (HOURS)								
				LEGACY			FORESTER			TRIB ECA	EXI GA	SVX
				3	4	5	1	2	3			
1	SC0001R		Starter Assy	0.3	0.3	0.4	0.3	0.3	0.4	0.3	0.4	0.5
2	SC0002R		Generator Assy / On car	0.2	0.3	0.3	0.2	0.2	0.3	0.3	0.3	0.3
	SC0002R	H4-FB	Generator Assy / On car	-	-	-	-	-	0.4	-	-	-
4	SC0004R		Battery	0.3	0.3	0.3	0.3	0.3	0.3	0.3	0.3	0.3
5	SC0005R		Battery cable	0.3	0.3	0.3	0.3	0.3	0.3	0.3	0.3	0.3
6	SC0006R	DE	Generator pulley / On car	-	0.2	0.2	-	-	0.2	-	-	-
7	SC0007R		Stopper rod	-	-	0.2	-	-	-	-	-	-
8	SC0008R	DE	Battery temperature sensor	-	-	0.3	-	-	-	-	-	-
9	SC0009R		Battery current & temperature sensor	-	-	0.2	-	-	-	-	-	-
10	SC0010R		Battery current sensor	-	-	-	-	-	-	-	-	-
11*	SC0011R		Auto start stop main relay	-	-	-	-	-	-	-	-	-
12	SC0012R		Auto start stop ECM	-	-	-	-	-	-	-	-	-
13	SC0013R		Auto start stop DC-DC converter	-	-	-	-	-	-	-	-	-
14	SC0014R		Auto start stop relay (ICR)	-	-	-	-	-	-	-	-	-
	SC0999Z		Other	**	**	**	**	**	**	**	**	**

CS

CONTROL SYSTEM





CS

No.	Work No.	Vehicle Information	Work Description	TIME (HOURS)									
				Justy			TRE ZIA	IMPREZA				LEGACY	
				1	2	3		1	2	3	4	1	2
1	CS0001R		Selector lever Assy	-	-	-	-	0.7	0.7	0.9	0.9	0.7	0.7
2	CS0002A		Shift cable Assy (AT,CVT)	-	-	-	-	0.5	0.5	0.3	0.3	0.5	0.5
	CS0002R		Shift cable Assy (AT,CVT)	-	-	-	-	0.5	0.5	0.8	0.8	0.5	0.5
3	CS0003R		AT shift lock solenoid and P position switch	-	-	-	-	-	0.3	0.7	-	-	-
4	CS0004R		AT shift lock control module	-	-	-	0.8	-	0.3	-	-	-	-
5	CS0005R		Gear shift Assy	0.8	0.8	1.2	1.0	1.7	1.7	1.4	1.4	1.7	1.7
6	CS0006A		Drive select cable Assy	-	-	-	-	0.3	0.3	0.3	0.3	0.3	0.3
	CS0006R		Drive select cable Assy	-	-	-	-	0.8	0.8	0.8	0.8	0.8	0.8
7	CS0007R		Drive select lever	-	-	-	-	0.4	0.4	0.4	0.4	0.4	0.4
9	CS0009R		Shift cable Assy (6MT)	0.7	0.7	-	1.4	-	-	0.9	0.9	-	-
10	CS0010A		Select cable Assy (6MT)	-	-	-	-	-	-	0.2	0.2	-	-
	CS0010R		Select cable Assy (6MT)	-	-	-	1.4	-	-	1.3	1.3	-	-
11	CS0011R		Shift lever position sensor	-	-	-	0.8	-	-	-	-	-	-
	CS0999Z		Other	**	**	**	**	**	**	**	**	**	**

CS

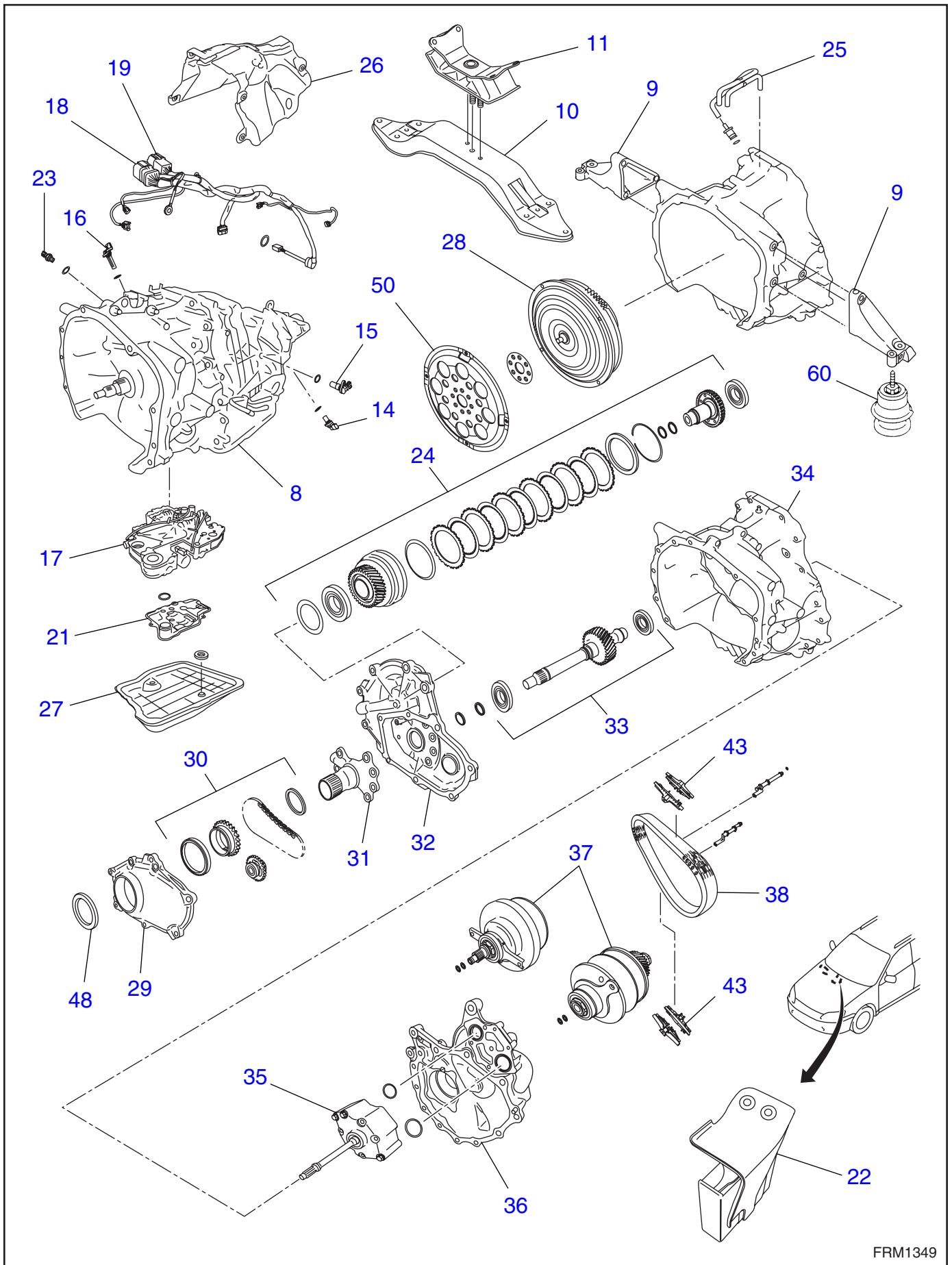
No.	Work No.	Vehicle Information	Work Description	TIME (HOURS)								
				LEGACY			FORESTER			TRIB ECA	EXI GA	SVX
				3	4	5	1	2	3			
1	CS0001R		Selector lever Assy	0.7	0.9	1.3	0.7	0.7	0.9	0.9	0.9	0.7
2	CS0002A		Shift cable Assy (AT,CVT)	0.5	0.5	0.5	0.5	0.5	0.3	0.3	0.5	0.5
	CS0002R		Shift cable Assy (AT,CVT)	0.5	0.7	0.6	0.5	0.5	0.8	0.5	1.3	0.5
3	CS0003R		AT shift lock solenoid and P position switch	0.7	0.7	1.0	-	0.5	0.7	0.7	1.0	0.5
4	CS0004R		AT shift lock control module	0.3	-	-	-	0.3	-	-	-	0.5
5	CS0005R		Gear shift Assy	1.7	1.7	1.7	1.7	1.7	1.4	1.7	-	-
6	CS0006A		Drive select cable Assy	0.3	0.3	-	0.3	0.3	0.3	-	-	-
	CS0006R		Drive select cable Assy	0.8	0.8	-	0.5	0.5	0.8	-	-	-
7	CS0007R		Drive select lever	0.4	0.6	-	0.4	0.4	0.4	-	-	-
9	CS0009R		Shift cable Assy (6MT)	-	-	2.5	-	-	0.9	-	-	-
10	CS0010A		Select cable Assy (6MT)	-	-	0.2	-	-	0.2	-	-	-
	CS0010R		Select cable Assy (6MT)	-	-	2.8	-	-	1.3	-	-	-
11	CS0011R		Shift lever position sensor	-	-	-	-	-	-	-	-	-
	CS0999Z		Other	**	**	**	**	**	**	**	**	**

CVT

**CONTINUOUSLY VARIABLE
TRANSMISSION**

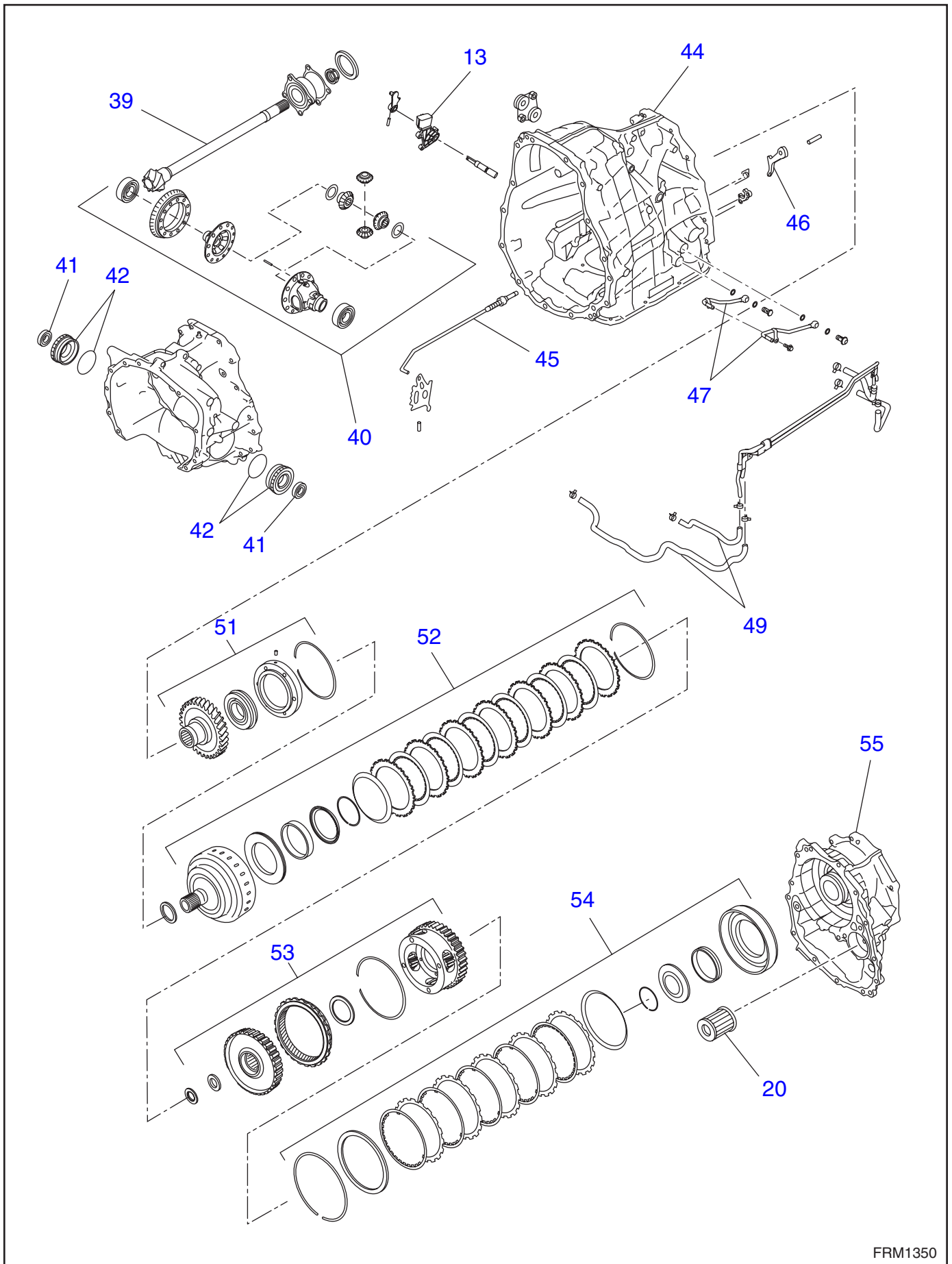


CVT



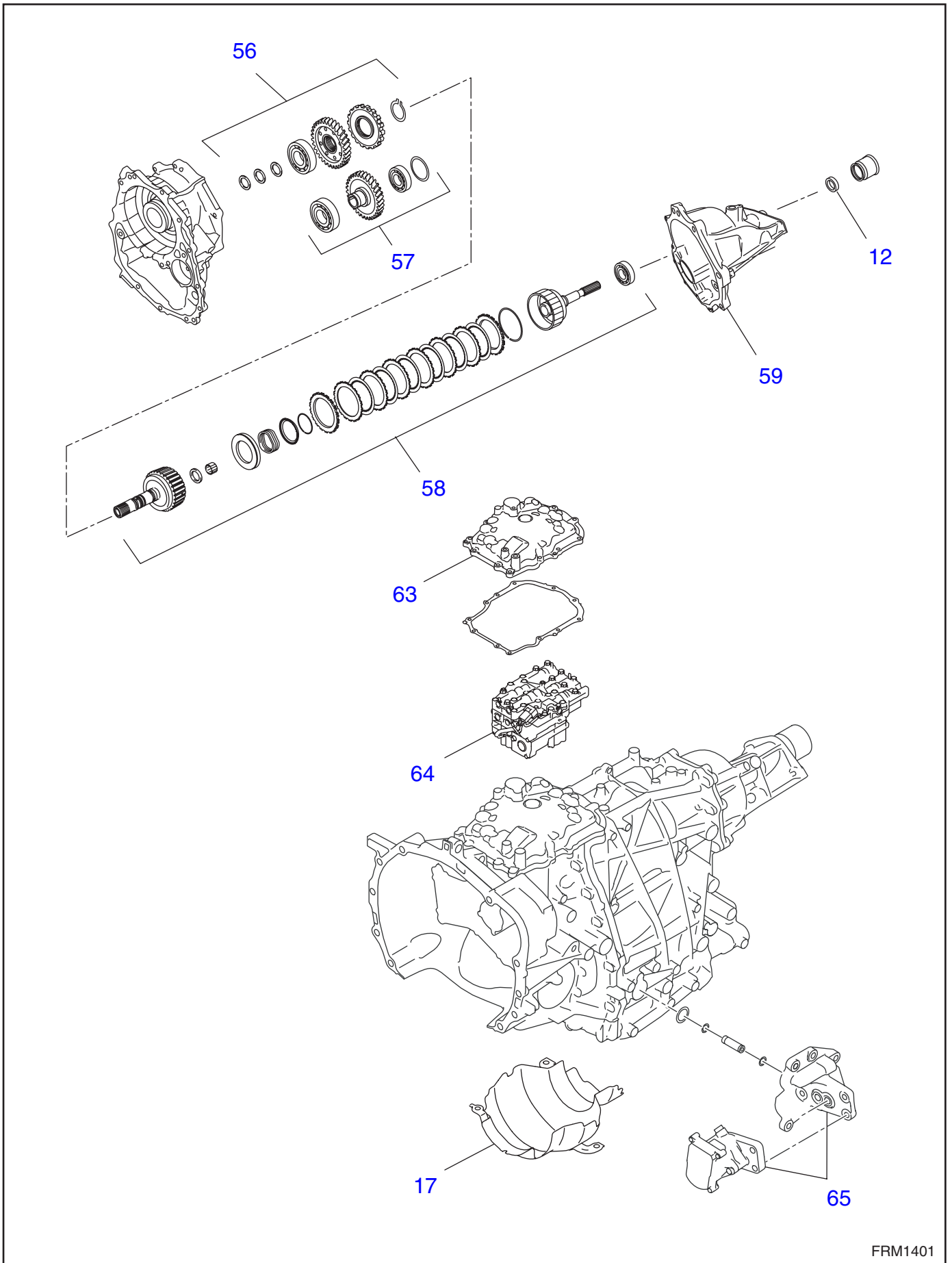
FRM1349

CVT



FRM1350

CVT



FRM1401

CVT

No.	Work No.	Vehicle Information	Work Description	TIME (HOURS)									
				Justy			TRE ZIA	IMPREZA				LEGACY	
				1	2	3		1	2	3	4	1	2
1*	CVT001N		CVTF	-	-	-	-	-	-	-	0.4	-	-
2*	CVT002N		Front differential gear oil	-	-	-	-	-	-	-	0.2	-	-
3*	CVT003M		Road test	-	-	-	-	-	-	-	0.8	-	-
4*	CVT004M		Stall test	-	-	-	-	-	-	-	0.5	-	-
5*	CVT005M		Time lag test	-	-	-	-	-	-	-	0.7	-	-
6*	CVT006M		Line pressure test	-	-	-	-	-	-	-	1.0	-	-
7*	CVT007M		Transfer clutch pressure test	-	-	-	-	-	-	-	1.1	-	-
8	CVT008R		CVT Assy	-	-	-	-	-	-	-	4.2	-	-
	CVT008D		CVT Assy OH	-	-	-	-	-	-	-	14.0	-	-
9	CVT009R		Transmission main mounting bracket	-	-	-	-	-	-	-	-	-	-
10	CVT010R		Center crossmember	-	-	-	-	-	-	-	0.8	-	-
11	CVT011R		Rear cushion rubber	-	-	-	-	-	-	-	0.8	-	-
12	CVT012R		Extension case oil seal	-	-	-	-	-	-	-	1.1	-	-
13	CVT013R		Inhibitor switch	-	-	-	-	-	-	-	0.7	-	-
14	CVT014R		Front vehicle speed sensor	-	-	-	-	-	-	-	-	-	-
15	CVT015R		Secondary pulley speed sensor	-	-	-	-	-	-	-	0.3	-	-
16	CVT016R		Primary pulley speed sensor	-	-	-	-	-	-	-	4.3	-	-
17	CVT017R		Control valve body Assy	-	-	-	-	-	-	-	1.4	-	-
18	CVT018R		Transmission harness	-	-	-	-	-	-	-	4.3	-	-
19	CVT019R		Inhibitor switch harness	-	-	-	-	-	-	-	4.1	-	-
20	CVT020R		CVTF filter	-	-	-	-	-	-	-	6.9	-	-
21	CVT021R		Oil strainer	-	-	-	-	-	-	-	0.7	-	-
22	CVT022R		Transmission control unit	-	-	-	-	-	-	-	0.2	-	-
23	CVT023R		Line pressure sensor	-	-	-	-	-	-	-	0.3	-	-
24	CVT024R		Input clutch Assy	-	-	-	-	-	-	-	-	-	-
25	CVT025R		Transmission case cover (noise cushion)	-	-	-	-	-	-	-	4.1	-	-
26	CVT026R		Air breather hose	-	-	-	-	-	-	-	0.3	-	-
27	CVT027R		Oil pan	-	-	-	-	-	-	-	0.6	-	-
28	CVT028R		Torque converter	-	-	-	-	-	-	-	4.4	-	-
29	CVT029R		Oil pump chain cover	-	-	-	-	-	-	-	4.5	-	-
30	CVT030R		Oil pump driving device	-	-	-	-	-	-	-	4.7	-	-
31	CVT031R		Center support	-	-	-	-	-	-	-	-	-	-
32	CVT032R		Converter case cover	-	-	-	-	-	-	-	-	-	-
33	CVT033R		Front reduction drive gear	-	-	-	-	-	-	-	-	-	-
34	CVT034R		Converter case	-	-	-	-	-	-	-	12.0	-	-
35	CVT035R		Oil pump Assy	-	-	-	-	-	-	-	4.9	-	-
36	CVT036R		Drive pinion retainer	-	-	-	-	-	-	-	12.7	-	-
37	CVT037R		Pulley Assy set	-	-	-	-	-	-	-	7.1	-	-
38	CVT038R		Variator chain	-	-	-	-	-	-	-	6.9	-	-
39	CVT039R		Drive pinion shaft	-	-	-	-	-	-	-	12.7	-	-

CVT

No.	Work No.	Vehicle Information	Work Description	TIME (HOURS)								
				LEGACY			FORESTER			TRIB ECA	EXI GA	SVX
				3	4	5	1	2	3			
1*	CVT001N		CVTF	-	-	0.4	-	-	-	-	0.4	-
2*	CVT002N		Front differential gear oil	-	-	0.2	-	-	-	-	0.2	-
3*	CVT003M		Road test	-	-	0.8	-	-	-	-	0.8	-
4*	CVT004M		Stall test	-	-	0.5	-	-	-	-	0.5	-
5*	CVT005M		Time lag test	-	-	0.7	-	-	-	-	0.7	-
6*	CVT006M		Line pressure test	-	-	1.0	-	-	-	-	1.0	-
7*	CVT007M		Transfer clutch pressure test	-	-	1.1	-	-	-	-	-	-
8	CVT008R		CVT Assy	-	-	4.9	-	-	-	-	4.7	-
	CVT008D		CVT Assy OH	-	-	11.1	-	-	-	-	10.9	-
9	CVT009R		Transmission main mounting bracket	-	-	0.5	-	-	-	-	-	-
10	CVT010R		Center crossmember	-	-	0.8	-	-	-	-	0.8	-
11	CVT011R		Rear cushion rubber	-	-	0.8	-	-	-	-	0.8	-
12	CVT012R		Extension case oil seal	-	-	1.1	-	-	-	-	1.1	-
13	CVT013R		Inhibitor switch	-	-	0.7	-	-	-	-	0.7	-
14	CVT014R		Front vehicle speed sensor	-	-	5.0	-	-	-	-	4.8	-
15	CVT015R		Secondary pulley speed sensor	-	-	5.0	-	-	-	-	4.8	-
16	CVT016R		Primary pulley speed sensor	-	-	0.3	-	-	-	-	0.3	-
17	CVT017R		Control valve body Assy	-	-	1.2	-	-	-	-	1.2	-
18	CVT018R		Transmission harness	-	-	5.4	-	-	-	-	5.2	-
19	CVT019R		Inhibitor switch harness	-	-	5.2	-	-	-	-	5.0	-
20	CVT020R		CVTF filter	-	-	5.7	-	-	-	-	5.5	-
21	CVT021R		Oil strainer	-	-	0.7	-	-	-	-	0.7	-
22	CVT022R		Transmission control unit	-	-	0.8	-	-	-	-	0.8	-
23	CVT023R		Line pressure sensor	-	-	0.3	-	-	-	-	0.3	-
24	CVT024R		Input clutch Assy	-	-	9.0	-	-	-	-	8.8	-
25	CVT025R		Transmission case cover (noise cushion)	-	-	5.0	-	-	-	-	4.8	-
26	CVT026R		Air breather hose	-	-	0.3	-	-	-	-	0.3	-
27	CVT027R		Oil pan	-	-	0.6	-	-	-	-	0.6	-
28	CVT028R		Torque converter	-	-	5.1	-	-	-	-	4.9	-
29	CVT029R		Oil pump chain cover	-	-	5.2	-	-	-	-	5.0	-
30	CVT030R		Oil pump driving device	-	-	5.5	-	-	-	-	5.3	-
31	CVT031R		Center support	-	-	5.3	-	-	-	-	5.1	-
32	CVT032R		Converter case cover	-	-	6.0	-	-	-	-	5.8	-
33	CVT033R		Front reduction drive gear	-	-	6.2	-	-	-	-	6.0	-
34	CVT034R		Converter case	-	-	10.2	-	-	-	-	10.0	-
35	CVT035R		Oil pump Assy	-	-	9.8	-	-	-	-	9.6	-
36	CVT036R		Drive pinion retainer	-	-	10.2	-	-	-	-	10.0	-
37	CVT037R		Pulley Assy set	-	-	8.8	-	-	-	-	8.6	-
38	CVT038R		Variator chain	-	-	8.8	-	-	-	-	8.6	-
39	CVT039R		Drive pinion shaft	-	-	10.2	-	-	-	-	10.0	-

CVT

No.	Work No.	Vehicle Information	Work Description	TIME (HOURS)										
				Justy			TRE ZIA	IMPREZA				LEGACY		
				1	2	3		1	2	3	4	1	2	
40	CVT040R		Front differential Assy	-	-	-	-	-	-	-	-	8.9	-	-
41	CVT0416		Differential side retainer oil seal / Both side	-	-	-	-	-	-	-	-	0.7	-	-
42	CVT042R		Differential side retainer / One side	-	-	-	-	-	-	-	-	0.5	-	-
	CVT0425		Differential side retainer / Opposite side	-	-	-	-	-	-	-	-	0.3	-	-
43	CVT043R		Chain guide	-	-	-	-	-	-	-	-	6.7	-	-
44	CVT044R		Transmission case	-	-	-	-	-	-	-	-	7.3	-	-
45	CVT045R		Parking pawl	-	-	-	-	-	-	-	-	5.1	-	-
46	CVT046R		Parking rod	-	-	-	-	-	-	-	-	1.0	-	-
47	CVT047R		CVTF cooler pipe	-	-	-	-	-	-	-	-	0.5	-	-
48	CVT048R		Oil pump chain cover oil seal	-	-	-	-	-	-	-	-	4.9	-	-
49	CVT049R		CVTF cooler hose	-	-	-	-	-	-	-	-	0.5	-	-
50	CVT050R		Drive plate CVT	-	-	-	-	-	-	-	-	4.5	-	-
51	CVT051R		Reduction drive gear	-	-	-	-	-	-	-	-	5.3	-	-
52	CVT052R		Forward clutch	-	-	-	-	-	-	-	-	7.7	-	-
53	CVT053R		Planetary gear	-	-	-	-	-	-	-	-	7.6	-	-
54	CVT054R		Reverse brake	-	-	-	-	-	-	-	-	7.6	-	-
55	CVT055R		Intermediate case	-	-	-	-	-	-	-	-	-	-	-
56	CVT056R		Transfer drive gear	-	-	-	-	-	-	-	-	5.3	-	-
57	CVT057R		Transfer driven gear	-	-	-	-	-	-	-	-	5.2	-	-
58	CVT058R		Transfer clutch	-	-	-	-	-	-	-	-	5.6	-	-
59	CVT059R		Extension Assy	-	-	-	-	-	-	-	-	5.6	-	-
60	CVT060R		Transmission main mounting / One side	-	-	-	-	-	-	-	-	0.4	-	-
	CVT0605		Transmission main mounting / Opposite side	-	-	-	-	-	-	-	-	0.1	-	-
62*	CVT062R		Rear vehicle speed sensor	-	-	-	-	-	-	-	-	-	-	-
63	CVT063R		Control valve cover	-	-	-	-	-	-	-	-	4.7	-	-
64	CVT064R		Oil baffle plate	-	-	-	-	-	-	-	-	6.7	-	-
65	CVT065R		Electric oil pump Assy	-	-	-	-	-	-	-	-	0.6	-	-
	CVT999Z		Other	**	**	**	**	**	**	**	**	**	**	**

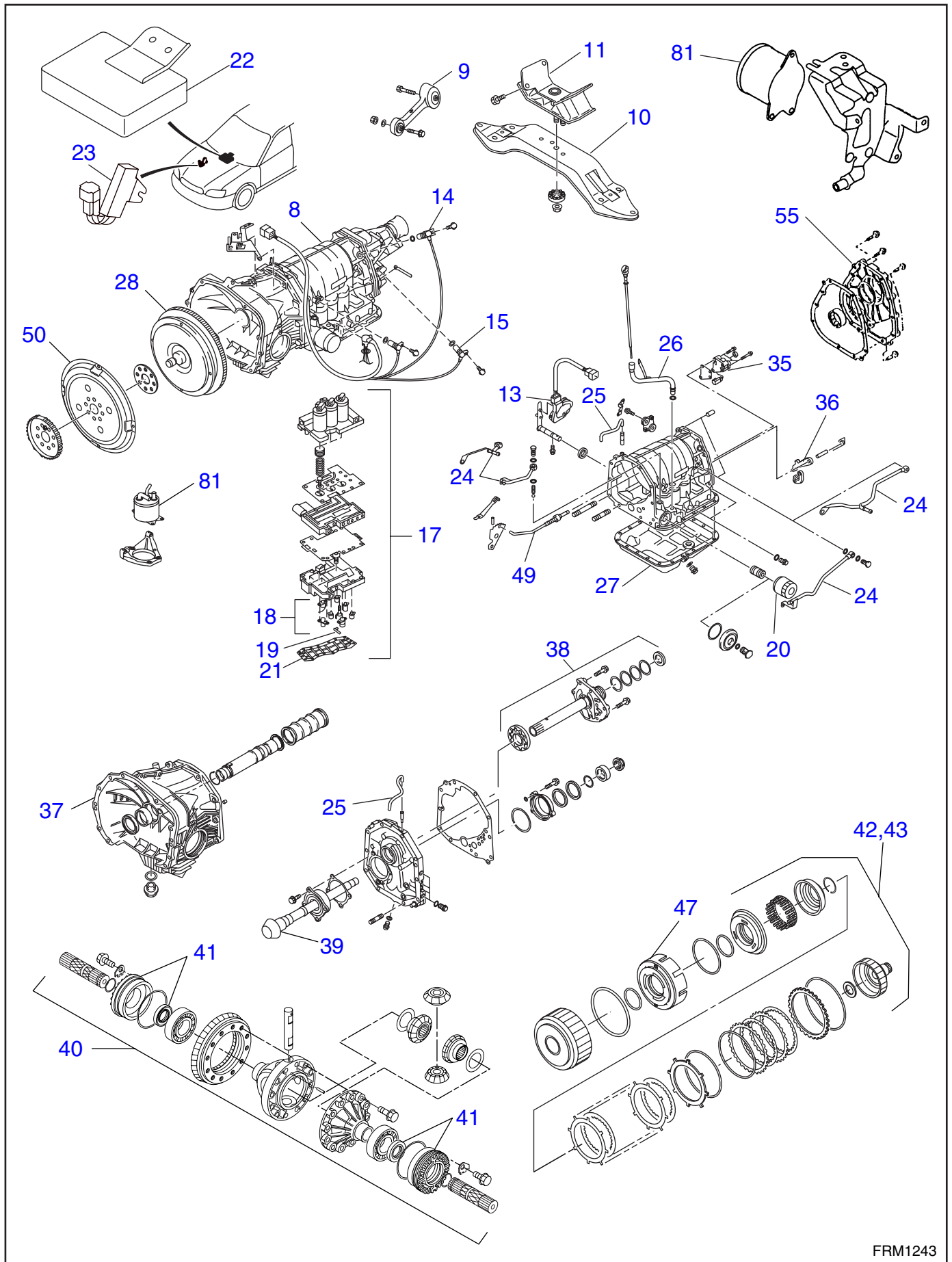
CVT

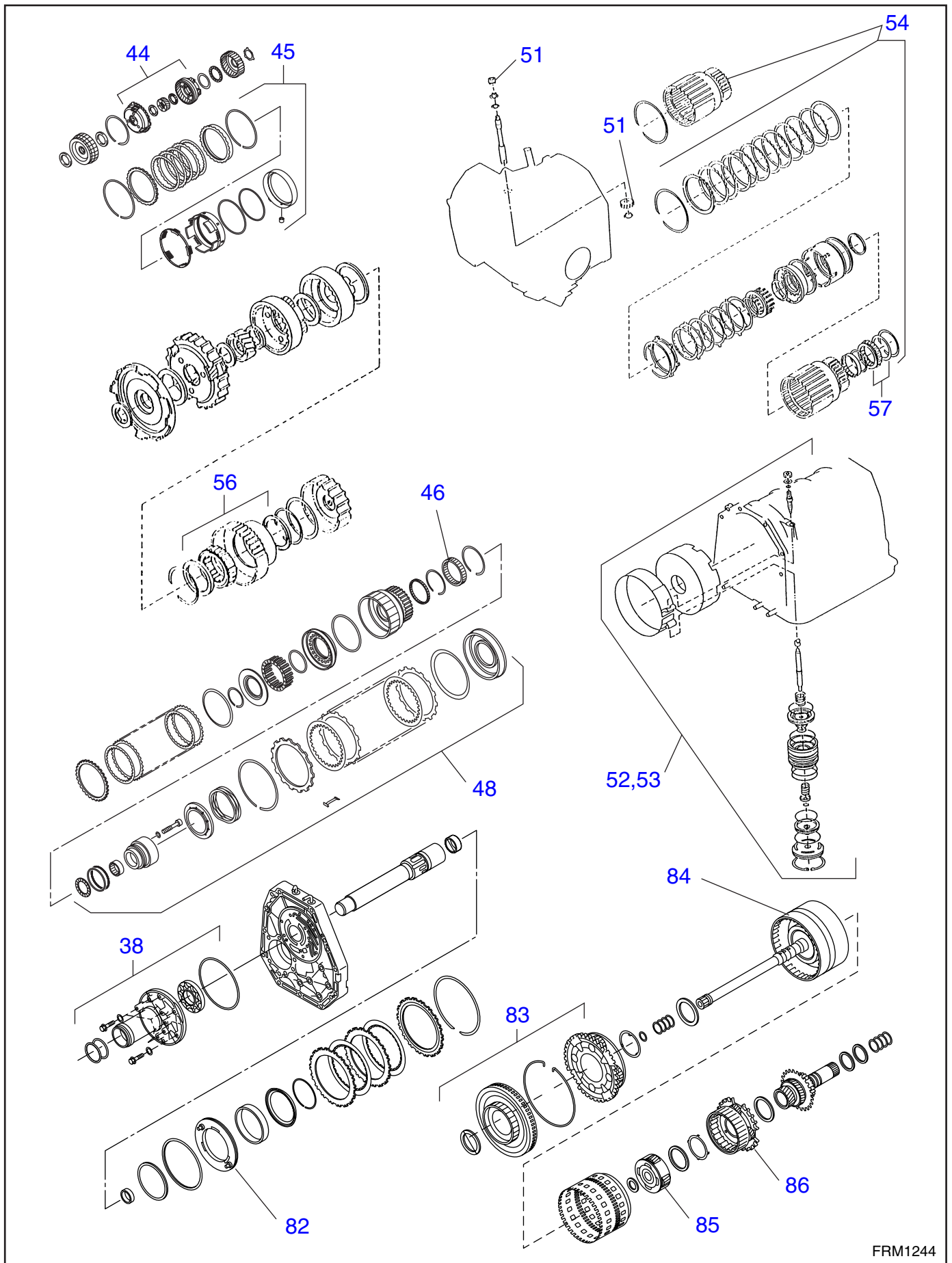
No.	Work No.	Vehicle Information	Work Description	TIME (HOURS)								
				LEGACY			FORESTER			TRIB ECA	EXI GA	SVX
				3	4	5	1	2	3			
40	CVT040R		Front differential Assy	-	-	9.4	-	-	-	-	9.2	-
41	CVT0416		Differential side retainer oil seal / Both side	-	-	0.7	-	-	-	-	0.7	-
42	CVT042R		Differential side retainer / One side	-	-	0.5	-	-	-	-	0.5	-
	CVT0425		Differential side retainer / Opposite side	-	-	0.3	-	-	-	-	0.3	-
43	CVT043R		Chain guide	-	-	8.2	-	-	-	-	8.0	-
44	CVT044R		Transmission case	-	-	8.5	-	-	-	-	8.3	-
45	CVT045R		Parking pawl	-	-	6.5	-	-	-	-	6.3	-
46	CVT046R		Parking rod	-	-	2.0	-	-	-	-	2.0	-
47	CVT047R		CVTF cooler pipe	-	-	5.1	-	-	-	-	4.9	-
48	CVT048R		Oil pump chain cover oil seal	-	-	5.3	-	-	-	-	5.1	-
49	CVT049R		CVTF cooler hose	-	-	0.5	-	-	-	-	0.5	-
50	CVT050R		Drive plate CVT	-	-	5.3	-	-	-	-	5.1	-
51	CVT051R		Reduction drive gear	-	-	6.8	-	-	-	-	6.6	-
52	CVT052R		Forward clutch	-	-	7.0	-	-	-	-	6.8	-
53	CVT053R		Planetary gear	-	-	7.2	-	-	-	-	7.0	-
54	CVT054R		Reverse brake	-	-	6.9	-	-	-	-	6.7	-
55	CVT055R		Intermediate case	-	-	7.0	-	-	-	-	6.8	-
56	CVT056R		Transfer drive gear	-	-	6.2	-	-	-	-	6.0	-
57	CVT057R		Transfer driven gear	-	-	6.2	-	-	-	-	6.0	-
58	CVT058R		Transfer clutch	-	-	6.2	-	-	-	-	6.0	-
59	CVT059R		Extension Assy	-	-	6.2	-	-	-	-	6.0	-
60	CVT060R		Transmission main mounting / One side	-	-	3.4	-	-	-	-	0.4	-
	CVT0605		Transmission main mounting / Opposite side	-	-	0.2	-	-	-	-	0.1	-
62*	CVT062R		Rear vehicle speed sensor	-	-	-	-	-	-	-	1.0	-
63	CVT063R		Control valve cover	-	-	-	-	-	-	-	-	-
64	CVT064R		Oil baffle plate	-	-	-	-	-	-	-	-	-
65	CVT065R		Electric oil pump Assy	-	-	-	-	-	-	-	-	-
	CVT999Z		Other	**	**	**	**	**	**	**	**	**

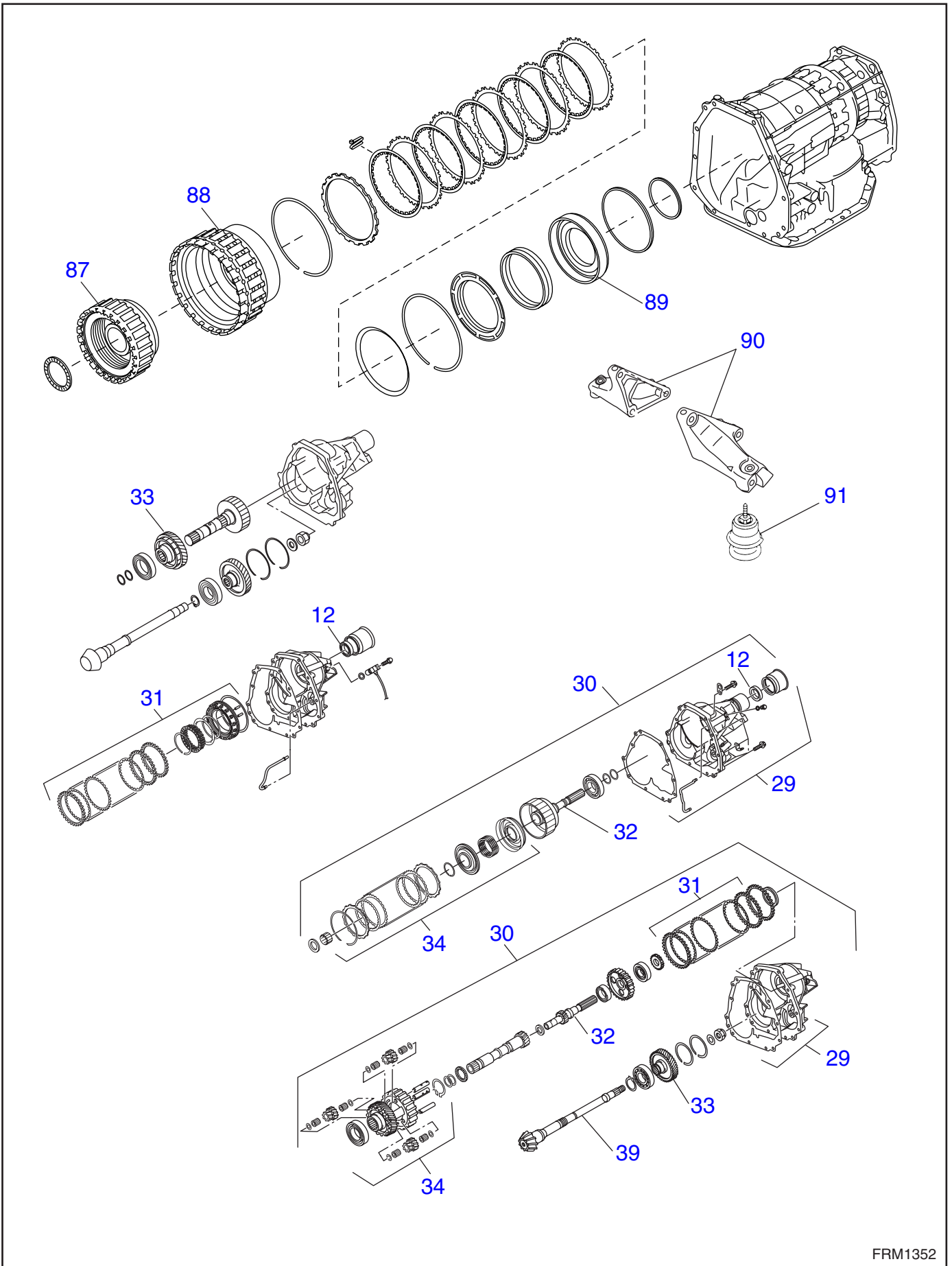
AT

AUTOMATIC TRANSMISSION









AT

No.	Work No.	Vehicle Information	Work Description	TIME (HOURS)									
				Justy			TRE ZIA	IMPREZA				LEGACY	
				1	2	3		1	2	3	4	1	2
1*	AT0001N		ATF	-	-	-	-	0.4	0.4	0.4	-	0.4	0.4
	AT0001N	5AT	ATF (LHD model only)	-	-	-	-	-	-	0.6	-	-	-
	AT0001N	5AT	ATF (RHD model only)	-	-	-	-	-	-	0.4	-	-	-
2*	AT0002N		Front differential gear oil	-	-	-	-	0.1	0.1	0.1	-	0.1	0.1
3*	AT0003M		Road test	-	-	-	-	0.8	0.8	0.8	-	0.8	0.8
4*	AT0004M		Stall test	-	-	-	-	0.5	0.5	0.5	-	0.5	0.5
5*	AT0005M		Time lag test	-	-	-	-	0.7	0.7	0.7	-	0.7	0.7
6*	AT0006M		Line pressure test	-	-	-	-	1.0	1.0	1.0	-	1.0	1.0
7*	AT0007M		Transfer clutch pressure test	-	-	-	-	1.1	1.1	1.1	-	1.1	1.1
8	AT0008R		Automatic transmission Assy	-	-	-	-	6.1	6.1	5.9	-	6.1	6.1
	AT0008R	DO TC	Automatic transmission Assy	-	-	-	-	-	-	6.3	-	6.5	-
	AT0008D		Automatic transmission Assy OH	-	-	-	-	11.1	11.1	10.9	-	11.1	11.1
	AT0008D	DO TC	Automatic transmission Assy OH	-	-	-	-	-	-	11.3	-	11.5	-
	AT0008D	5AT	Automatic transmission Assy OH	-	-	-	-	-	-	12.5	-	-	-
9	AT0009R		Pitching stopper rod Assy	-	-	-	-	0.2	0.2	0.2	-	0.2	0.2
	AT0009R	DO TC	Pitching stopper rod Assy	-	-	-	-	-	-	0.6	-	-	-
10	AT0010R		Center crossmember	-	-	-	-	1.0	1.0	0.8	-	1.0	1.0
11	AT0011R		Rear cushion rubber	-	-	-	-	0.9	0.9	0.8	-	0.9	0.9
12	AT0012R		Extension case oil seal	-	-	-	-	1.1	1.1	1.1	-	1.1	1.1
13	AT0013R		Inhibitor switch	-	-	-	-	0.5	0.5	0.5	-	0.5	0.5
14	AT0014R		Front vehicle speed sensor	-	-	-	-	1.4	1.4	-	-	1.4	1.4
15	AT0015R	5AT	Rear vehicle speed sensor	-	-	-	-	-	-	1.0	-	-	-
16*	AT0016R	5AT	Torque converter turbine speed sensor	-	-	-	-	-	-	1.0	-	-	-
17	AT0017R		Control valve body Assy	-	-	-	-	2.5	2.5	2.0	-	2.5	2.5
18	AT0018R		Shift solenoid, duty solenoid and ATF temperature sensor	-	-	-	-	2.6	2.6	-	-	2.6	2.6
19	AT0019R		ATF temperature sensor	-	-	-	-	0.6	0.6	-	-	0.6	0.6
20	AT0020R		ATF filter	-	-	-	-	0.1	0.1	-	-	0.1	0.1
	AT0020R	DO TC	ATF filter	-	-	-	-	-	-	-	-	-	-
	AT0020R	5AT	ATF filter	-	-	-	-	-	-	0.5	-	-	-
21	AT0021R		Oil strainer	-	-	-	-	0.7	0.7	0.7	-	0.7	0.7
22	AT0022R		Transmission control unit	-	-	-	-	0.1	0.1	0.5	-	0.1	0.1
23	AT0023R		Dropping resistor	-	-	-	-	-	0.1	-	-	0.1	-
24	AT0024R		ATF cooler pipe and hose	-	-	-	-	2.0	2.0	2.0	-	2.0	2.0
	AT0024R	DO TC	ATF cooler pipe and hose	-	-	-	-	-	-	2.4	-	-	-
	AT0024R	5AT	ATF cooler pipe and hose	-	-	-	-	-	-	1.0	-	-	-
25	AT0025R		Air breather hose	-	-	-	-	0.3	0.3	0.3	-	0.3	0.3
26	AT0026R		Oil charger pipe	-	-	-	-	0.1	0.1	0.1	-	0.1	0.1
27	AT0027R		Oil pan	-	-	-	-	0.6	0.6	0.6	-	0.6	0.6

AT

No.	Work No.	Vehicle Information	Work Description	TIME (HOURS)								
				LEGACY			FORESTER			TRIB ECA	EXI GA	SVX
				3	4	5	1	2	3			
1*	AT0001N		ATF	0.4	0.4	-	0.4	0.4	0.4	-	-	0.4
	AT0001N	5AT	ATF (LHD model only)	-	0.4	0.4	-	-	0.4	0.4	-	-
	AT0001N	5AT	ATF (RHD model only)	-	0.4	0.4	-	-	0.4	0.4	-	-
2*	AT0002N		Front differential gear oil	0.1	0.1	0.1	0.1	0.1	0.1	0.1	-	0.1
3*	AT0003M		Road test	0.8	0.8	0.8	0.8	0.8	0.8	0.8	-	0.8
4*	AT0004M		Stall test	0.5	0.5	0.5	0.5	0.5	0.5	0.5	-	0.5
5*	AT0005M		Time lag test	0.7	0.7	0.7	0.7	0.7	0.7	0.7	-	0.7
6*	AT0006M		Line pressure test	1.0	1.0	1.0	1.0	1.0	1.0	1.0	-	1.0
7*	AT0007M		Transfer clutch pressure test	1.1	1.1	1.1	1.1	1.1	1.1	1.1	-	-
8	AT0008R		Automatic transmission Assy	6.1	6.1	6.1	6.1	6.1	5.9	6.1	-	6.1
	AT0008R	DO TC	Automatic transmission Assy	-	6.5	6.5	-	6.5	6.3	-	-	-
	AT0008D		Automatic transmission Assy OH	11.1	11.1	-	11.1	11.1	10.9	-	-	11.1
	AT0008D	DO TC	Automatic transmission Assy OH	-	11.5	-	-	11.5	11.3	-	-	-
	AT0008D	5AT	Automatic transmission Assy OH	-	12.5	12.5	-	-	12.5	12.5	-	-
9	AT0009R		Pitching stopper rod Assy	0.2	0.2	-	0.2	0.2	0.2	0.2	-	0.3
	AT0009R	DO TC	Pitching stopper rod Assy	-	0.6	-	-	1.0	0.6	-	-	-
10	AT0010R		Center crossmember	1.0	1.0	1.0	1.0	1.0	0.8	1.0	-	1.0
11	AT0011R		Rear cushion rubber	0.9	0.9	0.9	0.9	0.9	0.8	0.9	-	1.8
12	AT0012R		Extension case oil seal	1.1	1.1	1.1	1.1	1.1	1.1	1.1	-	1.1
13	AT0013R		Inhibitor switch	0.5	0.5	-	0.5	0.5	0.5	0.5	-	0.5
14	AT0014R		Front vehicle speed sensor	1.4	1.4	6.2	1.4	1.4	-	-	-	-
15	AT0015R	5AT	Rear vehicle speed sensor	-	1.4	1.0	-	-	1.0	1.4	-	-
16*	AT0016R	5AT	Torque converter turbine speed sensor	-	0.2	0.2	-	-	1.0	0.2	-	-
17	AT0017R		Control valve body Assy	2.5	2.0	2.0	2.5	2.5	2.0	2.5	-	2.5
18	AT0018R		Shift solenoid, duty solenoid and ATF temperature sensor	2.6	-	-	2.6	2.6	-	-	-	2.9
19	AT0019R		ATF temperature sensor	0.6	-	-	0.6	0.6	-	-	-	0.8
20	AT0020R		ATF filter	0.1	0.1	-	0.1	0.1	-	-	-	-
	AT0020R	DO TC	ATF filter	0.2	-	-	-	-	-	-	-	-
	AT0020R	5AT	ATF filter	-	0.5	-	-	-	0.5	0.5	-	-
21	AT0021R		Oil strainer	0.7	0.7	0.7	0.7	0.7	0.7	0.7	-	0.8
22	AT0022R		Transmission control unit	0.1	0.2	0.8	0.1	0.1	0.5	0.2	-	0.6
23	AT0023R		Dropping resistor	0.1	-	-	-	0.1	-	-	-	-
24	AT0024R		ATF cooler pipe and hose	2.0	2.0	-	2.0	2.0	2.0	-	-	-
	AT0024R	DO TC	ATF cooler pipe and hose	2.4	-	-	-	-	2.4	-	-	2.4
	AT0024R	5AT	ATF cooler pipe and hose	-	1.0	1.0	-	-	1.0	1.0	-	-
25	AT0025R		Air breather hose	0.3	0.3	0.3	0.3	0.3	0.3	0.3	-	0.3
26	AT0026R		Oil charger pipe	0.1	0.1	0.1	0.1	0.1	0.1	0.1	-	0.1
27	AT0027R		Oil pan	0.6	0.6	0.6	0.6	0.6	0.6	0.6	-	0.6

AT

No.	Work No.	Vehicle Information	Work Description	TIME (HOURS)									
				Justy			TRE ZIA	IMPREZA				LEGACY	
				1	2	3		1	2	3	4	1	2
28	AT0028R		Torque converter	-	-	-	-	6.4	6.4	6.0	-	6.4	6.4
	AT0028R	DO TC	Torque converter	-	-	-	-	-	-	6.4	-	-	-
29	AT0029R		Extension Assy	-	-	-	-	6.9	6.9	6.5	-	6.9	6.9
	AT0029R	DO TC	Extension Assy	-	-	-	-	-	-	6.9	-	7.3	-
30	AT0030R		Transfer	-	-	-	-	6.9	6.9	6.5	-	6.9	6.9
	AT0030R	DO TC	Transfer	-	-	-	-	-	-	6.9	-	7.3	-
31	AT0031R		Multi plate clutch	-	-	-	-	6.9	6.9	6.5	-	6.9	6.9
	AT0031R	DO TC	Multi plate clutch	-	-	-	-	-	-	6.9	-	7.3	-
32	AT0032R		Rear drive shaft	-	-	-	-	6.8	6.8	6.4	-	6.8	6.8
	AT0032R	DO TC	Rear drive shaft	-	-	-	-	-	-	6.8	-	7.2	-
33	AT0033R		Reduction drive gear	-	-	-	-	6.8	6.8	6.4	-	6.8	6.8
	AT0033R	DO TC	Reduction drive gear	-	-	-	-	-	-	6.8	-	7.2	-
34	AT0034R		Center differential carrier	-	-	-	-	6.7	6.7	-	-	6.7	6.7
	AT0034R	DO TC	Center differential carrier	-	-	-	-	-	-	-	-	7.1	-
35	AT0035R		Transfer duty solenoid and valve body	-	-	-	-	0.5	0.5	-	-	0.5	0.5
36	AT0036R		Parking pawl	-	-	-	-	2.5	2.5	2.8	-	2.5	2.5
	AT0036R	DO TC	Parking pawl	-	-	-	-	-	-	3.3	-	3.0	-
37	AT0037R		Converter housing	-	-	-	-	8.0	8.0	7.8	-	8.0	8.0
	AT0037R	DO TC	Converter housing	-	-	-	-	-	-	8.2	-	8.4	-
38	AT0038R		Oil pump Assy	-	-	-	-	6.6	6.6	7.8	-	6.6	6.6
	AT0038R	DO TC	Oil pump Assy	-	-	-	-	-	-	8.2	-	7.0	-
	AT0038R	5AT	Oil pump Assy	-	-	-	-	-	-	8.8	-	-	-
39	AT0039R		Drive pinion shaft	-	-	-	-	7.5	7.5	7.5	-	7.5	7.5
	AT0039R	DO TC	Drive pinion shaft	-	-	-	-	-	-	7.9	-	7.9	-
	AT0039R	5AT	Drive pinion shaft	-	-	-	-	-	-	9.0	-	-	-
40	AT0040R		Front differential Assy	-	-	-	-	7.7	7.7	7.6	-	7.7	7.7
	AT0040R	DO TC	Front differential Assy	-	-	-	-	-	-	8.0	-	8.1	-
	AT0040R	5AT	Front differential Assy	-	-	-	-	-	-	8.2	-	-	-
41	AT0041R		Differential side retainer or oil seal / One side	-	-	-	-	6.7	6.9	0.4	-	6.1	5.4
	AT00415		Differential side retainer or oil seal / Opposite side	-	-	-	-	1.0	1.2	0.3	-	1.1	1.0
	AT0041R	DO TC	Differential side retainer or oil seal / One side	-	-	-	-	-	-	0.4	-	7.3	-
	AT00415	DO TC	Differential side retainer or oil seal / Opposite side	-	-	-	-	-	-	0.3	-	1.0	-
42	AT0042R		High clutch Assy	-	-	-	-	7.3	7.3	7.3	-	7.3	7.3
	AT0042R	DO TC	High clutch Assy	-	-	-	-	-	-	7.7	-	7.7	-
43	AT0043R		Reverse clutch	-	-	-	-	7.3	7.3	7.3	-	7.3	7.3
	AT0043R	DO TC	Reverse clutch	-	-	-	-	-	-	7.7	-	7.7	-
44	AT0044R		Planetary gear	-	-	-	-	7.8	7.8	7.8	-	7.8	7.8
	AT0044R	DO TC	Planetary gear	-	-	-	-	-	-	8.2	-	8.2	-

No.	Work No.	Vehicle Information	Work Description	TIME (HOURS)								
				LEGACY			FORESTER			TRIB ECA	EXI GA	SVX
				3	4	5	1	2	3			
28	AT0028R		Torque converter	6.4	6.4	6.4	6.4	6.4	6.0	6.4	-	6.4
	AT0028R	DO TC	Torque converter	-	6.8	6.8	-	6.8	6.4	-	-	-
29	AT0029R		Extension Assy	6.9	6.9	6.9	6.9	6.9	6.5	6.9	-	6.9
	AT0029R	DO TC	Extension Assy	-	7.3	7.3	-	7.3	6.9	-	-	-
30	AT0030R		Transfer	6.9	6.9	6.9	6.9	6.9	6.5	6.9	-	6.9
	AT0030R	DO TC	Transfer	-	7.3	7.3	-	7.3	6.9	-	-	-
31	AT0031R		Multi plate clutch	6.9	6.9	6.9	6.9	6.9	6.5	6.9	-	6.9
	AT0031R	DO TC	Multi plate clutch	-	7.3	7.3	-	7.3	6.9	-	-	-
32	AT0032R		Rear drive shaft	6.8	6.8	6.8	6.8	6.8	6.4	6.8	-	6.8
	AT0032R	DO TC	Rear drive shaft	-	7.2	7.2	-	7.2	6.8	-	-	-
33	AT0033R		Reduction drive gear	6.8	6.8	6.8	6.8	6.8	6.4	6.8	-	6.8
	AT0033R	DO TC	Reduction drive gear	-	7.2	7.2	-	7.2	6.8	-	-	-
34	AT0034R		Center differential carrier	6.7	6.7	6.7	6.7	6.7	-	6.7	-	6.7
	AT0034R	DO TC	Center differential carrier	-	7.1	7.1	-	7.1	-	-	-	-
35	AT0035R		Transfer duty solenoid and valve body	0.5	-	-	0.5	0.5	-	-	-	0.5
36	AT0036R		Parking pawl	2.5	2.5	2.5	2.5	2.5	2.8	2.5	-	2.5
	AT0036R	DO TC	Parking pawl	-	3.0	3.0	-	3.0	3.3	-	-	-
37	AT0037R		Converter housing	8.0	8.0	8.0	8.0	8.0	7.8	8.0	-	8.0
	AT0037R	DO TC	Converter housing	-	8.4	8.4	-	8.4	8.2	-	-	-
38	AT0038R		Oil pump Assy	6.6	6.6	-	6.6	6.6	7.8	-	-	6.6
	AT0038R	DO TC	Oil pump Assy	-	-	-	-	7.0	8.2	-	-	-
	AT0038R	5AT	Oil pump Assy	-	8.8	8.8	-	-	8.8	8.8	-	-
39	AT0039R		Drive pinion shaft	7.5	7.7	-	7.5	7.5	7.5	-	-	7.5
	AT0039R	DO TC	Drive pinion shaft	-	-	-	-	7.9	7.9	-	-	-
	AT0039R	5AT	Drive pinion shaft	-	9.0	9.0	-	-	9.0	9.0	-	-
40	AT0040R		Front differential Assy	7.7	7.7	-	7.7	7.7	7.6	-	-	7.7
	AT0040R	DO TC	Front differential Assy	-	-	-	-	9.0	8.0	-	-	-
	AT0040R	5AT	Front differential Assy	-	8.2	8.2	-	-	8.2	8.2	-	-
41	AT0041R		Differential side retainer or oil seal / One side	6.9	0.4	0.4	6.7	0.4	0.4	0.4	-	6.1
	AT00415		Differential side retainer or oil seal / Opposite side	1.0	0.3	0.3	1.0	0.3	0.3	0.3	-	1.1
	AT0041R	DO TC	Differential side retainer or oil seal / One side	-	0.4	0.4	-	0.4	0.4	-	-	-
	AT00415	DO TC	Differential side retainer or oil seal / Opposite side	-	0.3	0.3	-	0.3	0.3	-	-	-
42	AT0042R		High clutch Assy	7.3	7.3	-	7.3	7.3	7.3	-	-	7.3
	AT0042R	DO TC	High clutch Assy	-	-	-	-	7.7	7.7	-	-	-
43	AT0043R		Reverse clutch	7.3	7.3	-	7.3	7.3	7.3	-	-	8.1
	AT0043R	DO TC	Reverse clutch	-	-	-	-	7.7	7.7	-	-	-
44	AT0044R		Planetary gear	7.8	7.8	-	7.8	7.8	7.8	-	-	7.8
	AT0044R	DO TC	Planetary gear	-	-	-	-	8.2	8.2	-	-	-

AT

No.	Work No.	Vehicle Information	Work Description	TIME (HOURS)									
				Justy			TRE ZIA	IMPREZA				LEGACY	
				1	2	3		1	2	3	4	1	2
45	AT0045R		2-4 Brake	-	-	-	-	8.4	8.4	8.4	-	-	8.4
	AT0045R	DO TC	2-4 Brake	-	-	-	-	-	-	8.8	-	-	-
46	AT0046R		One way clutch (1-2 speed)	-	-	-	-	8.7	8.7	-	-	-	8.7
	AT0046R	DO TC	One way clutch (1-2 speed)	-	-	-	-	-	-	-	-	-	-
47	AT0047R		Low and reverse piston	-	-	-	-	8.8	8.8	8.8	-	8.8	8.8
	AT0047R	DO TC	Low and reverse piston	-	-	-	-	-	-	9.2	-	9.2	-
48	AT0048R		Low & reverse brake	-	-	-	-	8.9	8.9	8.9	-	8.9	8.9
	AT0048R	DO TC	Low & reverse brake	-	-	-	-	-	-	9.3	-	9.3	-
49	AT0049R		Parking rod	-	-	-	-	6.1	4.0	4.0	-	6.1	4.0
	AT0049R	DO TC	Parking rod	-	-	-	-	-	-	4.4	-	6.5	-
50	AT0050R		Drive plate AT	-	-	-	-	6.4	6.4	6.0	-	6.4	6.4
	AT0050R	DO TC	Drive plate AT	-	-	-	-	-	-	6.4	-	6.8	-
51	AT0051R		Speedometer driven gear or oil seal	-	-	-	-	5.2	-	-	-	5.2	5.2
52	AT0052A		Brake band Assy	-	-	-	-	1.1	-	-	-	1.1	-
53	AT0053R		Brake band Assy & Servopiston CP	-	-	-	-	6.1	-	-	-	6.1	-
54	AT0054R		Forward clutch	-	-	-	-	7.3	-	-	-	7.1	-
55	AT0055R		Transmission cover CP	-	-	-	-	4.6	-	-	-	4.6	-
56	AT0056R		One way clutch (3-4 speed)	-	-	-	-	5.9	-	-	-	5.9	5.9
57	AT0057R		One way clutch (1-2 speed)	-	-	-	-	6.6	-	-	-	6.0	7.2
81	AT0081R		ATF cooler	-	-	-	-	-	-	1.5	-	-	-
82	AT0082R	5AT	Front brake piston	-	-	-	-	-	-	8.0	-	-	-
83	AT0083R	5AT	Front planetary gear	-	-	-	-	-	-	8.2	-	-	-
84	AT0084R	5AT	Input clutch Assy	-	-	-	-	-	-	8.2	-	-	-
85	AT0085R	5AT	Middle planetary gear	-	-	-	-	-	-	8.5	-	-	-
86	AT0086R	5AT	Rear planetary gear	-	-	-	-	-	-	8.5	-	-	-
87	AT0087R	5AT	High & low reverse clutch Assy	-	-	-	-	-	-	8.8	-	-	-
88	AT0088R	5AT	Direct clutch Assy	-	-	-	-	-	-	8.8	-	-	-
89	AT0089R	5AT	Reverse brake piston	-	-	-	-	-	-	9.0	-	-	-
90	AT0090R		Transmission main mounting bracket	-	-	-	-	-	-	-	-	-	-
91	AT0091R		Transmission main mounting / One side	-	-	-	-	-	-	-	-	-	-
	AT00915		Transmission main mounting / Opposite side	-	-	-	-	-	-	-	-	-	-
	AT0999Z		Other	**	**	**	**	**	**	**	**	**	**

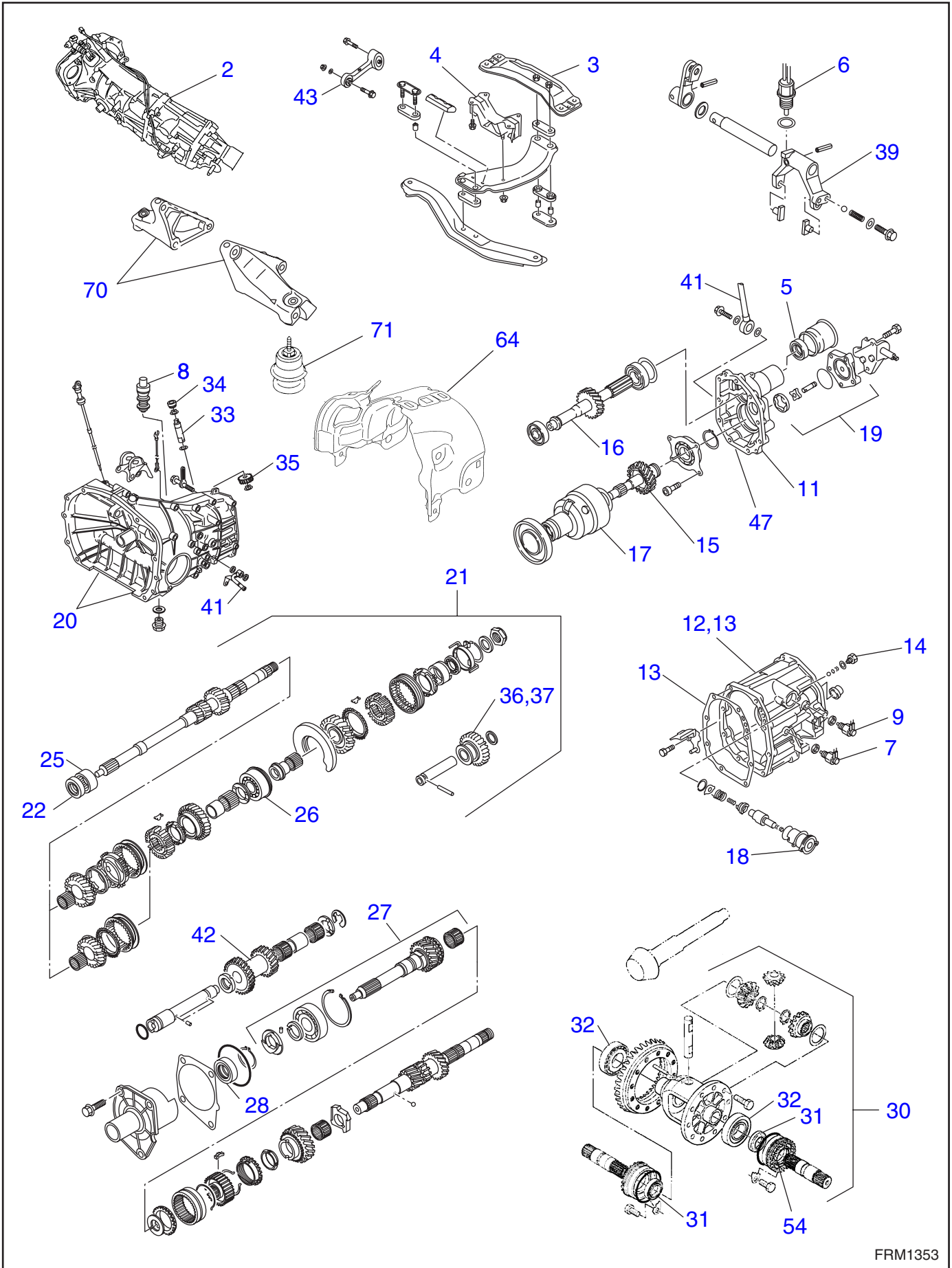
AT

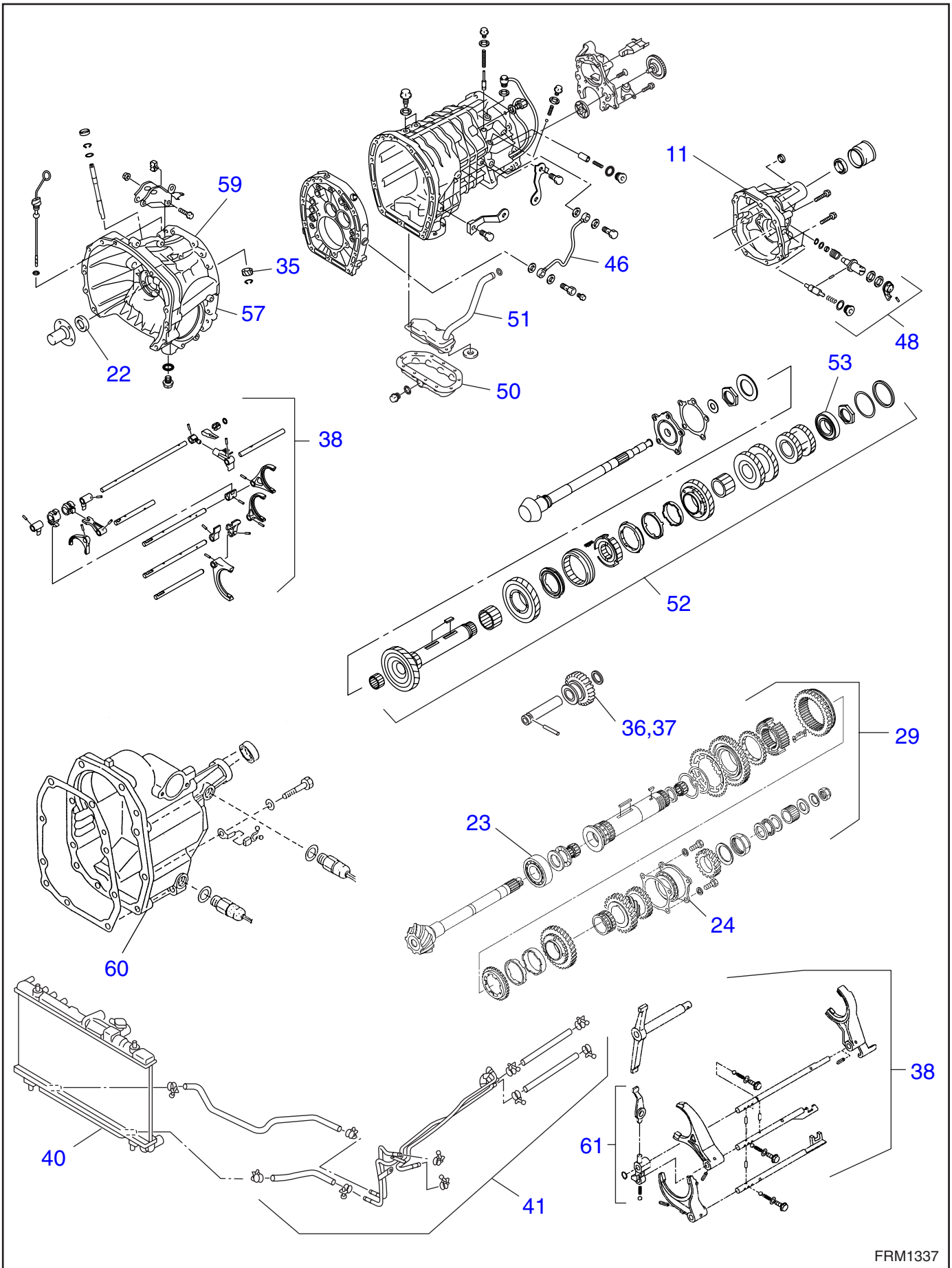
No.	Work No.	Vehicle Information	Work Description	TIME (HOURS)								
				LEGACY			FORESTER			TRIB ECA	EXI GA	SVX
				3	4	5	1	2	3			
45	AT0045R		2-4 Brake	8.4	8.4	-	8.4	8.4	8.4	-	-	8.4
	AT0045R	DO TC	2-4 Brake	-	-	-	-	8.8	8.8	-	-	-
46	AT0046R		One way clutch (1-2 speed)	8.7	8.7	-	8.7	8.7	-	-	-	8.7
	AT0046R	DO TC	One way clutch (1-2 speed)	-	-	-	-	9.1	-	-	-	-
47	AT0047R		Low and reverse piston	8.8	8.8	-	8.8	8.8	8.8	-	-	8.8
	AT0047R	DO TC	Low and reverse piston	-	-	-	-	9.2	9.2	-	-	-
48	AT0048R		Low & reverse brake	8.9	8.9	-	8.9	8.9	8.9	-	-	8.9
	AT0048R	DO TC	Low & reverse brake	-	-	-	-	9.3	9.3	-	-	-
49	AT0049R		Parking rod	4.0	4.0	-	6.1	4.0	4.0	4.0	-	6.1
	AT0049R	DO TC	Parking rod	-	4.4	-	-	4.4	4.4	-	-	-
50	AT0050R		Drive plate AT	6.4	6.0	-	6.4	6.4	6.0	6.4	-	6.4
	AT0050R	DO TC	Drive plate AT	-	6.8	-	-	6.8	6.4	-	-	-
51	AT0051R		Speedometer driven gear or oil seal	-	-	-	5.2	-	-	-	-	5.2
52	AT0052A		Brake band Assy	-	-	-	1.1	-	-	-	-	1.6
53	AT0053R		Brake band Assy & Servopiston CP	-	-	-	6.1	-	-	-	-	8.1
54	AT0054R		Forward clutch	-	-	-	7.3	-	-	-	-	8.7
55	AT0055R		Transmission cover CP	-	-	-	4.6	-	-	-	-	4.6
56	AT0056R		One way clutch (3-4 speed)	-	-	-	5.9	-	-	-	-	7.6
57	AT0057R		One way clutch (1-2 speed)	-	-	-	6.6	-	-	-	-	7.4
81	AT0081R		ATF cooler	-	1.5	1.5	-	-	1.5	1.5	-	-
82	AT0082R	5AT	Front brake piston	-	8.0	8.0	-	-	8.0	8.0	-	-
83	AT0083R	5AT	Front planetary gear	-	8.2	8.2	-	-	8.2	8.2	-	-
84	AT0084R	5AT	Input clutch Assy	-	8.2	8.2	-	-	8.2	8.2	-	-
85	AT0085R	5AT	Middle planetary gear	-	8.5	8.5	-	-	8.5	8.5	-	-
86	AT0086R	5AT	Rear planetary gear	-	8.5	8.5	-	-	8.5	8.5	-	-
87	AT0087R	5AT	High & low reverse clutch Assy	-	8.8	8.8	-	-	8.8	8.8	-	-
88	AT0088R	5AT	Direct clutch Assy	-	8.8	8.8	-	-	8.8	8.8	-	-
89	AT0089R	5AT	Reverse brake piston	-	9.0	9.0	-	-	9.0	9.0	-	-
90	AT0090R		Transmission main mounting bracket	-	-	0.5	-	-	-	-	-	-
91	AT0091R		Transmission main mounting / One side	-	-	3.4	-	-	-	-	-	-
	AT00915		Transmission main mounting / Opposite side	-	-	0.2	-	-	-	-	-	-
	AT0999Z		Other	**	**	**	**	**	**	**	**	**

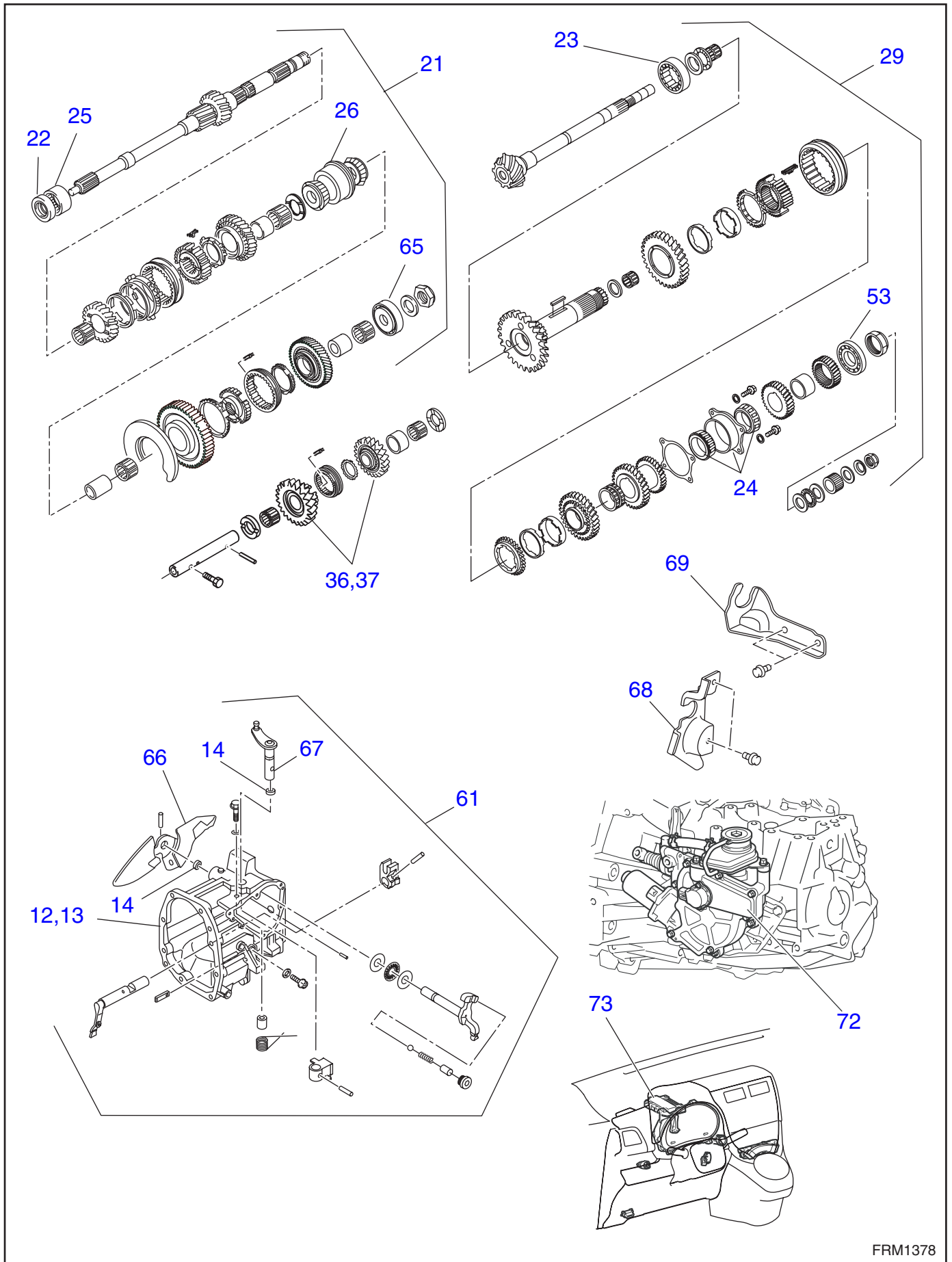
MT

**MANUAL TRANSMISSION AND
DIFFERENTIAL**









MT

No.	Work No.	Vehicle Information	Work Description	TIME (HOURS)									
				Justy			TRE ZIA	IMPREZA				LEGACY	
				1	2	3		1	2	3	4	1	2
1*	MT0001R		MT gear oil	0.3	0.3	0.3	0.4	0.3	0.3	0.3	0.3	0.3	0.3
2	MT0002R		Transmission & differential Assy	4.4	2.8	6.0	4.2	4.0	4.0	4.0	4.0	4.0	4.0
	MT0002R	DO TC	Transmission & differential Assy	-	-	-	-	5.6	5.6	5.4	-	5.6	-
	MT0002R	T85	Transmission & differential Assy	-	-	-	-	-	5.6	5.8	-	-	-
	MT0002D		Transmission & differential Assy / OH	7.4	6.2	7.8	11.0	10.6	10.6	9.8	9.8	10.6	10.6
	MT0002D	DO TC	Transmission & differential Assy / OH	-	-	-	-	11.4	11.4	11.2	-	11.9	-
	MT0002D	T85	Transmission & differential Assy / OH	-	-	-	-	-	11.6	11.6	-	-	-
3	MT0003R		Rear crossmember	-	-	-	-	1.0	1.0	1.0	1.0	1.0	1.0
4	MT0004R		Transmission mounting cushion rubber	-	-	-	-	3.8	0.8	0.8	0.8	3.8	3.8
	MT0004R	DO TC	Transmission mounting cushion rubber	-	-	-	-	5.1	1.0	1.0	-	5.1	-
5	MT0005R		Extension oil seal	1.0	1.0	-	-	1.1	1.1	1.1	1.1	1.1	1.1
6	MT0006R		Low switch	0.3	0.3	-	-	0.2	0.2	0.2	0.2	0.2	0.2
7	MT0007R		Back up light switch	-	0.3	0.4	0.3	0.2	0.2	0.2	0.2	0.2	0.2
	MT0007R	T85	Back up light switch	-	-	-	-	-	5.6	5.8	-	-	-
8	MT0008R		Vehicle speed sensor	-	0.4	-	-	0.1	0.1	-	0.1	0.1	0.1
	MT0008R	T85	Vehicle speed sensor	-	-	-	-	-	0.2	0.2	-	-	-
9	MT0009R		Neutral position switch	-	-	0.5	-	0.2	0.2	0.2	0.2	0.2	0.2
	MT0009R	T85	Neutral position switch	-	-	-	-	-	0.3	0.3	-	-	-
10*	MT0010R		Pipe and Hose	-	-	-	-	-	-	-	-	-	-
11	MT0011R		Extension case	-	-	-	-	6.7	6.7	6.0	6.0	6.7	6.7
	MT0011R	DO TC	Extension case	-	-	-	-	8.3	8.3	7.4	-	8.3	-
	MT0011R	T85	Extension case	-	-	-	-	-	9.0	7.8	-	-	-
12	MT0012R		Transfer case	7.5	3.5	-	-	6.6	6.6	6.6	6.6	6.6	6.6
	MT0012R	DO TC	Transfer case	-	-	-	-	8.2	8.2	8.0	-	8.2	-
13	MT0013R		Transfer case cover & gasket	-	-	-	-	5.9	5.9	5.9	5.9	5.9	5.9
	MT0013R	DO TC	Transfer case cover & gasket	-	-	-	-	7.5	7.5	7.4	-	7.5	-
	MT0013R	T85	Transfer case cover & gasket	-	-	-	-	-	7.8	7.8	-	-	-
14	MT0014R		Shift rod oil seal	2.0	-	-	-	6.0	6.0	6.0	6.0	6.0	6.0
	MT0014R	DO TC	Shift rod oil seal	-	-	-	-	7.6	7.6	7.4	-	7.6	-
15	MT0015R		Transfer drive gear	-	-	-	-	6.3	6.3	6.3	6.3	6.3	6.3
	MT0015R	DO TC	Transfer drive gear	-	-	-	-	7.9	7.9	7.7	-	7.9	-
	MT0015R	T85	Transfer drive gear	-	-	-	-	-	7.5	8.1	-	-	-
16	MT0016R		Transfer shaft Assy	-	-	-	-	6.7	6.7	6.7	6.7	6.7	6.7
	MT0016R	DO TC	Transfer shaft Assy	-	-	-	-	8.3	8.3	8.1	-	8.3	-
	MT0016R	T85	Transfer shaft Assy	-	-	-	-	-	8.4	8.4	-	-	-
17	MT0017R		Center differential	-	-	-	-	6.2	6.2	6.2	6.2	6.2	6.2
	MT0017R	DO TC	Center differential	-	-	-	-	7.8	7.8	7.6	-	7.8	-
	MT0017R	T85	Center differential	-	-	-	-	-	7.5	8.0	-	-	-
18	MT0018R		Reverse check sleeve	-	-	-	-	6.1	6.1	6.1	6.1	6.1	6.1

MT

No.	Work No.	Vehicle Information	Work Description	TIME (HOURS)								
				LEGACY			FORESTER			TRIB ECA	EXI GA	SVX
				3	4	5	1	2	3			
1*	MT0001R		MT gear oil	0.3	0.3	0.3	0.3	0.3	0.3	-	-	-
2	MT0002R		Transmission & differential Assy	4.0	4.0	4.7	4.0	4.0	4.0	-	-	-
	MT0002R	DO TC	Transmission & differential Assy	-	5.6	5.4	5.6	5.6	5.4	-	-	-
	MT0002R	T85	Transmission & differential Assy	-	5.8	-	-	-	-	-	-	-
	MT0002D		Transmission & differential Assy / OH	10.6	9.8	9.8	10.6	10.6	9.8	-	-	-
	MT0002D	DO TC	Transmission & differential Assy / OH	-	11.2	11.2	11.4	11.4	11.2	-	-	-
	MT0002D	T85	Transmission & differential Assy / OH	-	11.6	-	-	-	-	-	-	-
3	MT0003R		Rear crossmember	1.0	1.0	1.0	1.0	1.0	1.0	-	-	-
4	MT0004R		Transmission mounting cushion rubber	3.8	0.8	0.8	3.8	0.8	0.8	-	-	-
	MT0004R	DO TC	Transmission mounting cushion rubber	-	1.0	1.0	5.1	1.0	1.0	-	-	-
5	MT0005R		Extension oil seal	1.1	1.1	1.1	1.1	1.1	1.1	-	-	-
6	MT0006R		Low switch	0.2	0.2	-	0.2	0.2	0.2	-	-	-
7	MT0007R		Back up light switch	0.2	0.2	0.2	0.2	0.2	0.2	-	-	-
	MT0007R	T85	Back up light switch	-	5.6	-	-	-	-	-	-	-
8	MT0008R		Vehicle speed sensor	0.1	-	-	0.1	0.1	-	-	-	-
	MT0008R	T85	Vehicle speed sensor	-	0.2	-	-	-	-	-	-	-
9	MT0009R		Neutral position switch	0.2	0.2	0.2	0.2	0.2	0.2	-	-	-
	MT0009R	T85	Neutral position switch	-	0.3	-	-	-	-	-	-	-
10*	MT0010R		Pipe and Hose	-	-	-	-	2.0	-	-	-	-
11	MT0011R		Extension case	6.7	6.7	6.7	6.7	6.7	6.0	-	-	-
	MT0011R	DO TC	Extension case	-	7.4	7.4	8.3	8.3	7.4	-	-	-
	MT0011R	T85	Extension case	-	7.8	-	-	-	-	-	-	-
12	MT0012R		Transfer case	6.6	6.6	6.6	6.6	6.6	6.6	-	-	-
	MT0012R	DO TC	Transfer case	-	-	8.0	8.2	8.2	8.0	-	-	-
13	MT0013R		Transfer case cover & gasket	5.9	5.9	5.9	5.9	5.9	5.9	-	-	-
	MT0013R	DO TC	Transfer case cover & gasket	-	-	7.4	7.5	7.5	7.4	-	-	-
	MT0013R	T85	Transfer case cover & gasket	-	7.8	-	-	-	-	-	-	-
14	MT0014R		Shift rod oil seal	6.0	6.0	6.0	6.0	6.0	6.0	-	-	-
	MT0014R	DO TC	Shift rod oil seal	-	-	7.4	7.6	7.6	7.4	-	-	-
15	MT0015R		Transfer drive gear	6.3	6.3	6.3	6.3	6.3	6.3	-	-	-
	MT0015R	DO TC	Transfer drive gear	-	-	7.7	7.9	7.9	7.7	-	-	-
	MT0015R	T85	Transfer drive gear	-	8.1	-	-	-	-	-	-	-
16	MT0016R		Transfer shaft Assy	6.7	6.7	6.7	6.7	6.7	6.7	-	-	-
	MT0016R	DO TC	Transfer shaft Assy	-	-	8.1	8.3	8.3	8.1	-	-	-
	MT0016R	T85	Transfer shaft Assy	-	8.4	-	-	-	-	-	-	-
17	MT0017R		Center differential	6.2	6.2	6.2	6.2	6.2	6.2	-	-	-
	MT0017R	DO TC	Center differential	-	-	7.6	7.8	7.8	7.6	-	-	-
	MT0017R	T85	Center differential	-	8.0	-	-	-	-	-	-	-
18	MT0018R		Reverse check sleeve	6.1	6.1	6.1	6.1	6.1	6.1	-	-	-

No.	Work No.	Vehicle Information	Work Description	TIME (HOURS)									
				Justy			TRE ZIA	IMPREZA				LEGACY	
				1	2	3		1	2	3	4	1	2
19	MT0019R	DO TC	Oil pump	-	-	-	-	7.5	7.5	7.5	-	7.5	-
	MT0019R	T85	Oil pump	-	-	-	-	-	7.6	7.9	-	-	-
20	MT0020R		Transmission main case	6.9	4.9	-	-	7.5	7.5	7.5	7.5	7.5	7.5
	MT0020R	DO TC	Transmission main case	-	-	-	-	9.2	9.2	8.9	-	9.2	-
	MT0020R	T85	Transmission main case	-	-	-	-	-	8.7	8.7	-	-	-
21	MT0021R		Main shaft Assy	6.9	5.6	-	6.9	8.1	8.1	6.0	6.0	8.1	8.1
	MT0021R	DO TC	Main shaft Assy	-	-	-	-	9.7	9.7	6.4	-	9.7	-
	MT0021R	T85	Main shaft Assy	-	-	-	-	-	9.3	7.8	-	-	-
22	MT0022R		Main shaft oil seal	-	-	-	5.5	7.6	7.6	6.0	6.0	7.6	-
	MT0022R	DO TC	Main shaft oil seal	-	-	-	-	6.0	6.0	6.0	-	6.0	-
	MT0022R	T85	Main shaft oil seal	-	-	-	-	-	6.4	6.4	-	-	-
23	MT0023R		Drive pinion bearing	-	-	-	6.7	7.8	7.8	7.2	7.2	7.8	7.8
	MT0023R	DO TC	Drive pinion bearing	-	-	-	-	8.6	8.6	8.6	-	8.6	-
24	MT0024R		Drive pinion ball bearing	-	-	-	-	7.8	7.8	7.2	7.2	7.8	7.8
	MT0024R	DO TC	Drive pinion ball bearing	-	-	-	5.8	8.4	8.4	8.6	-	8.4	-
25	MT0025R		Main shaft clutch side bearing	-	3.0	6.0	6.9	7.8	7.8	7.0	7.0	7.8	7.8
	MT0025R	DO TC	Main shaft clutch side bearing	-	-	-	-	8.4	8.4	8.4	-	8.4	-
26	MT0026R		Main shaft ball bearing	-	-	-	-	6.2	6.2	7.2	7.2	6.2	6.2
	MT0026R	DO TC	Main shaft ball bearing	-	-	-	5.8	7.0	7.0	7.6	-	7.0	-
	MT0026R	T85	Main shaft ball bearing	-	-	-	-	-	8.7	8.2	-	-	-
27	MT0027R		Input shaft Assy	6.0	5.6	7.1	-	6.7	6.7	6.7	6.7	6.7	6.7
	MT0027R	DO TC	Input shaft Assy	-	-	-	-	7.5	7.5	7.3	-	7.5	-
28	MT0028R		Input shaft oil seal	5.5	5.1	6.9	-	7.0	7.0	6.2	6.2	7.0	7.0
	MT0028R	DO TC	Input shaft oil seal	-	-	-	-	-	7.8	7.6	-	-	-
29	MT0029R		Drive pinion shaft Assy	6.9	-	7.0	-	5.2	8.2	6.8	6.8	5.2	6.8
	MT0029R	DO TC	Drive pinion shaft Assy	-	-	-	-	-	9.8	7.4	-	-	-
	MT0029R	T85	Drive pinion shaft Assy	-	-	-	-	-	9.4	8.2	-	-	-
30	MT0030R		Transmission front differential	5.5	5.4	6.7	-	8.1	8.1	7.0	7.0	8.1	8.1
	MT0030R	DO TC	Transmission front differential	-	-	-	-	9.7	9.7	7.6	-	9.7	-
	MT0030R	T85	Transmission front differential	-	-	-	-	-	10.0	8.2	-	-	-
31	MT0031R		Differential oil seal / One side	1.2	1.8	1.0	-	8.1	8.1	0.4	0.4	8.1	8.1
	MT00315		Differential oil seal / Opposite side	0.5	0.5	0.5	-	1.0	1.2	0.3	0.3	1.1	1.0
	MT0031R	DO TC	Differential oil seal / One side	-	-	-	-	8.9	8.9	0.4	-	8.9	-
	MT00315	DO TC	Differential oil seal / Opposite side	-	-	-	-	1.0	1.2	0.3	-	1.1	-
32	MT0032R		Differential bearing	5.4	5.0	6.8	6.3	7.3	7.3	6.5	6.5	7.3	7.3
	MT0032R	DO TC	Differential bearing	-	-	-	-	8.9	8.9	7.9	-	8.9	-
	MT0032R	T85	Differential bearing	-	-	-	-	-	9.7	6.5	-	-	-
33	MT0033R		Speedometer shaft	-	-	-	-	7.9	7.9	-	-	7.9	7.9
	MT0033R	DO TC	Speedometer shaft	-	-	-	-	8.7	8.7	-	-	8.7	-

No.	Work No.	Vehicle Information	Work Description	TIME (HOURS)								
				LEGACY			FORESTER			TRIB ECA	EXI GA	SVX
				3	4	5	1	2	3			
19	MT0019R	DO TC	Oil pump	-	-	-	7.5	7.5	7.5	-	-	-
	MT0019R	T85	Oil pump	-	7.9	-	-	-	-	-	-	-
20	MT0020R		Transmission main case	7.5	7.5	7.5	5.7	7.5	7.5	-	-	-
	MT0020R	DO TC	Transmission main case	-	-	8.9	9.2	9.2	8.9	-	-	-
	MT0020R	T85	Transmission main case	-	8.7	-	-	-	-	-	-	-
21	MT0021R		Main shaft Assy	8.1	6.0	6.0	8.1	8.1	6.0	-	-	-
	MT0021R	DO TC	Main shaft Assy	-	-	6.4	9.7	9.7	6.4	-	-	-
	MT0021R	T85	Main shaft Assy	-	7.8	-	-	-	-	-	-	-
22	MT0022R		Main shaft oil seal	7.6	6.0	6.0	7.6	7.6	6.0	-	-	-
	MT0022R	DO TC	Main shaft oil seal	6.0	6.4	6.4	6.0	6.0	6.4	-	-	-
	MT0022R	T85	Main shaft oil seal	-	6.4	-	-	-	-	-	-	-
23	MT0023R		Drive pinion bearing	7.8	7.2	7.2	7.8	7.8	7.2	-	-	-
	MT0023R	DO TC	Drive pinion bearing	-	-	8.6	8.6	8.6	8.6	-	-	-
24	MT0024R		Drive pinion ball bearing	7.8	7.2	7.2	7.8	7.8	7.2	-	-	-
	MT0024R	DO TC	Drive pinion ball bearing	-	-	8.6	8.4	8.4	8.6	-	-	-
25	MT0025R		Main shaft clutch side bearing	7.8	7.0	7.0	7.8	7.8	7.0	-	-	-
	MT0025R	DO TC	Main shaft clutch side bearing	-	-	8.4	8.4	8.4	8.4	-	-	-
26	MT0026R		Main shaft ball bearing	6.2	7.0	7.2	6.2	6.2	7.2	-	-	-
	MT0026R	DO TC	Main shaft ball bearing	-	-	7.6	7.0	7.0	7.6	-	-	-
	MT0026R	T85	Main shaft ball bearing	-	8.2	-	-	-	-	-	-	-
27	MT0027R		Input shaft Assy	6.7	6.7	6.7	6.7	6.7	6.7	-	-	-
	MT0027R	DO TC	Input shaft Assy	-	-	7.3	7.5	7.5	7.3	-	-	-
28	MT0028R		Input shaft oil seal	7.0	6.2	6.2	7.0	7.0	6.2	-	-	-
	MT0028R	DO TC	Input shaft oil seal	-	-	7.6	-	7.8	7.6	-	-	-
29	MT0029R		Drive pinion shaft Assy	8.2	6.8	6.8	5.2	8.2	6.8	-	-	-
	MT0029R	DO TC	Drive pinion shaft Assy	-	-	7.4	-	9.8	7.4	-	-	-
	MT0029R	T85	Drive pinion shaft Assy	-	8.2	-	-	-	-	-	-	-
30	MT0030R		Transmission front differential	8.1	7.0	7.0	8.1	8.1	7.0	-	-	-
	MT0030R	DO TC	Transmission front differential	-	-	7.6	9.7	9.7	7.6	-	-	-
	MT0030R	T85	Transmission front differential	-	8.2	-	-	-	-	-	-	-
31	MT0031R		Differential oil seal / One side	8.1	0.4	0.4	8.1	0.4	0.4	-	-	-
	MT00315		Differential oil seal / Opposite side	1.0	0.3	0.3	1.0	0.3	0.3	-	-	-
	MT0031R	DO TC	Differential oil seal / One side	-	-	0.4	8.9	0.4	0.4	-	-	-
	MT00315	DO TC	Differential oil seal / Opposite side	-	-	0.3	1.0	0.3	0.3	-	-	-
32	MT0032R		Differential bearing	7.3	7.3	6.5	7.3	7.3	6.5	-	-	-
	MT0032R	DO TC	Differential bearing	-	-	7.9	8.9	8.9	7.9	-	-	-
	MT0032R	T85	Differential bearing	-	6.5	-	-	-	-	-	-	-
33	MT0033R		Speedometer shaft	7.9	-	-	7.9	7.9	-	-	-	-
	MT0033R	DO TC	Speedometer shaft	-	-	-	8.7	8.7	-	-	-	-

No.	Work No.	Vehicle Information	Work Description	TIME (HOURS)									
				Justy			TRE ZIA	IMPREZA				LEGACY	
				1	2	3		1	2	3	4	1	2
34	MT0034R		Speedometer shaft oil seal	-	-	-	-	7.9	7.9	-	-	7.9	7.9
	MT0034R	DO TC	Speedometer shaft oil seal	-	-	-	-	8.7	8.7	-	-	8.7	-
35	MT0035R		Speedometer driven gear	0.4	0.4	0.5	-	8.8	8.8	-	-	8.8	8.8
	MT0035R	DO TC	Speedometer driven gear	-	-	-	-	9.6	9.6	-	-	9.6	-
	MT0035R	T85	Speedometer driven gear	-	-	-	-	-	9.5	-	-	-	-
36	MT0036R		Reverse idler gear	5.0	4.6	-	-	8.2	8.2	6.8	6.8	8.2	8.2
37	MT0037R	DO TC	Reverse idler gear	-	-	-	-	9.0	9.0	7.4	-	9.0	-
	MT0037R	T85	Reverse idler gear	-	-	-	-	-	8.9	7.8	-	-	-
38	MT0038R		Shifter fork and fork rod	6.5	5.2	-	-	7.4	7.4	7.4	7.4	7.4	7.4
	MT0038R	DO TC	Shifter fork and fork rod	-	-	-	-	9.0	9.0	8.8	-	9.0	-
	MT0038R	T85	Shifter fork and fork rod	-	-	-	-	-	8.8	9.2	-	-	-
39	MT0039R		High low shifter fork	-	-	-	-	7.3	7.3	7.3	7.3	7.3	7.3
40	MT0040R		Oil cooler	-	-	-	-	-	-	-	-	-	-
41	MT0041R		Oil cooler pipe and hose	-	-	-	-	-	-	-	-	-	-
42	MT0042R		Counter gear	-	-	-	-	7.6	7.6	7.6	7.6	7.6	7.6
43	MT0043R		Pitching stopper rod	-	-	-	-	0.2	0.2	0.3	0.3	-	0.2
	MT0043R	DO TC	Pitching stopper rod	-	-	-	-	1.0	1.0	0.8	-	-	-
45*	MT0045R	T85	Air breather hose	-	-	-	-	-	0.2	0.2	-	-	-
46	MT0046R	T85	Oil pipe	-	-	-	-	-	0.2	0.2	-	-	-
47	MT0047R	T85	Extension case liquid gasket	-	-	-	-	-	7.2	7.2	-	-	-
48	MT0048R	T85	Reverse checking system	-	-	-	-	-	7.3	7.3	-	-	-
50	MT0050R	T85	Oil pan	-	-	-	-	-	0.3	0.3	-	-	-
51	MT0051R	T85	Oil strainer	-	-	-	-	-	0.4	0.4	-	-	-
52	MT0052R	T85	Driven gear Assy	-	-	-	-	-	7.9	7.9	-	-	-
53	MT0053R		Driven gear ball bearing	-	-	-	-	-	-	6.5	6.5	-	-
	MT0053R	T85	Driven gear ball bearing	-	-	-	-	-	9.0	9.0	-	-	-
54	MT0054R		Side retainer / One part	-	-	-	-	7.4	7.4	0.4	0.4	7.4	7.4
	MT00545		Side retainer / Opposite side	-	-	-	-	0.2	0.2	0.3	0.3	0.2	0.2
	MT0054R	DO TC	Side retainer / One part	-	-	-	-	9.0	9.0	0.4	-	-	-
	MT00545	DO TC	Side retainer / Opposite side	-	-	-	-	0.2	0.2	0.3	-	-	-
	MT0054R	T85	Side retainer / One part	-	-	-	-	-	9.4	6.6	-	-	-
	MT00545	T85	Side retainer / Opposite side	-	-	-	-	-	0.2	0.2	-	-	-
56*	MT0056R	T85	Selector arm oil seal	-	-	-	-	-	7.3	7.3	-	-	-
57	MT0057R	T85	Clutch housing	-	-	-	-	-	10.2	8.2	-	-	-
59	MT0059R	T85	Clutch housing liquid gasket	-	-	-	-	-	9.0	7.8	-	-	-
60	MT0060R		Rear case	-	-	-	-	3.6	3.6	3.6	3.6	3.6	3.6
61	MT0061R		Shifter arm Assy	-	-	-	-	5.1	5.1	5.1	5.1	5.1	5.1
	MT0061R	DO TC	Shifter arm Assy	-	-	-	-	6.5	-	6.5	-	-	-
64	MT0064R		Transmission case cover (noise cushion)	-	-	-	-	-	-	4.0	4.0	-	-
65	MT0065R		Main shaft end bearing	-	-	-	-	-	-	7.1	7.1	-	-

No.	Work No.	Vehicle Information	Work Description	TIME (HOURS)								
				LEGACY			FORESTER			TRIB ECA	EXI GA	SVX
				3	4	5	1	2	3			
34	MT0034R		Speedometer shaft oil seal	7.9	-	-	7.9	7.9	-	-	-	-
	MT0034R	DO TC	Speedometer shaft oil seal	-	-	-	8.7	8.7	-	-	-	-
35	MT0035R		Speedometer driven gear	8.8	-	-	8.8	8.8	-	-	-	-
	MT0035R	DO TC	Speedometer driven gear	-	-	-	9.6	9.6	-	-	-	-
	MT0035R	T85	Speedometer driven gear	-	9.5	-	-	-	-	-	-	-
36	MT0036R		Reverse idler gear	8.2	6.8	7.0	8.2	8.2	6.8	-	-	-
37	MT0037R	DO TC	Reverse idler gear	-	-	7.4	9.0	9.0	7.4	-	-	-
	MT0037R	T85	Reverse idler gear	-	7.8	-	-	-	-	-	-	-
38	MT0038R		Shifter fork and fork rod	7.4	7.4	7.4	7.4	7.4	7.4	-	-	-
	MT0038R	DO TC	Shifter fork and fork rod	-	-	8.8	9.0	9.0	8.8	-	-	-
	MT0038R	T85	Shifter fork and fork rod	-	9.2	-	-	-	-	-	-	-
39	MT0039R		High low shifter fork	7.3	7.3	-	-	7.3	7.3	-	-	-
40	MT0040R		Oil cooler	-	-	-	-	0.6	-	-	-	-
41	MT0041R		Oil cooler pipe and hose	-	-	-	-	2.0	-	-	-	-
42	MT0042R		Counter gear	7.6	7.6	7.6	7.6	7.6	7.6	-	-	-
43	MT0043R		Pitching stopper rod	0.2	0.3	-	0.2	0.2	0.3	-	-	-
	MT0043R	DO TC	Pitching stopper rod	-	0.8	-	1.0	1.0	0.8	-	-	-
45*	MT0045R	T85	Air breather hose	-	0.2	-	-	-	-	-	-	-
46	MT0046R	T85	Oil pipe	-	0.2	-	-	-	-	-	-	-
47	MT0047R	T85	Extension case liquid gasket	-	7.2	-	-	-	-	-	-	-
48	MT0048R	T85	Reverse checking system	-	7.3	-	-	-	-	-	-	-
50	MT0050R	T85	Oil pan	-	0.3	-	-	-	-	-	-	-
51	MT0051R	T85	Oil strainer	-	0.4	-	-	-	-	-	-	-
52	MT0052R	T85	Driven gear Assy	-	7.9	-	-	-	-	-	-	-
53	MT0053R		Driven gear ball bearing	-	-	6.5	-	-	6.5	-	-	-
	MT0053R	T85	Driven gear ball bearing	-	9.0	-	-	-	-	-	-	-
54	MT0054R		Side retainer / One part	7.4	0.4	0.4	7.4	0.4	0.4	-	-	-
	MT00545		Side retainer / Opposite side	0.2	0.3	0.3	0.2	0.3	0.3	-	-	-
	MT0054R	DO TC	Side retainer / One part	-	-	0.4	9.0	0.4	0.4	-	-	-
	MT00545	DO TC	Side retainer / Opposite side	-	-	0.3	0.2	0.3	0.3	-	-	-
	MT0054R	T85	Side retainer / One part	-	6.6	-	-	-	-	-	-	-
	MT00545	T85	Side retainer / Opposite side	-	0.2	-	-	-	-	-	-	-
56*	MT0056R	T85	Selector arm oil seal	-	7.3	-	-	-	-	-	-	-
57	MT0057R	T85	Clutch housing	-	8.2	-	-	-	-	-	-	-
59	MT0059R	T85	Clutch housing liquid gasket	-	7.8	-	-	-	-	-	-	-
60	MT0060R		Rear case	3.6	3.6	-	3.6	3.6	3.6	-	-	-
61	MT0061R		Shifter arm Assy	5.1	5.1	6.0	5.1	5.1	5.1	-	-	-
	MT0061R	DO TC	Shifter arm Assy	-	-	6.4	6.5	-	6.5	-	-	-
64	MT0064R		Transmission case cover (noise cushion)	-	4.0	-	-	-	4.0	-	-	-
65	MT0065R		Main shaft end bearing	-	-	7.1	-	-	7.1	-	-	-

MT

No.	Work No.	Vehicle Information	Work Description	TIME (HOURS)									
				Justy			TRE ZIA	IMPREZA				LEGACY	
				1	2	3		1	2	3	4	1	2
66	MT0066R		Selector lever	-	-	-	-	-	-	6.0	6.0	-	-
67	MT0067R		Shift lever	-	-	-	-	-	-	6.0	6.0	-	-
68	MT0068R		Shift cable bracket	-	-	-	-	-	-	0.9	0.9	-	-
69	MT0069R		Select cable bracket	-	-	-	-	-	-	1.3	1.3	-	-
70	MT0070R		Transmission main mounting bracket	-	-	-	-	-	-	-	-	-	-
71	MT0071R		Transmission main mounting / One side	-	-	-	-	-	-	-	-	-	-
	MT00715		Transmission main mounting / Opposite side	-	-	-	-	-	-	-	-	-	-
72	MT0072R		Clutch actuator Assy	-	-	-	0.8	-	-	-	-	-	-
73	MT0073R		Transmission control unit	-	-	-	0.9	-	-	-	-	-	-
	MT0999Z		Other	**	**	**	**	**	**	**	**	**	**

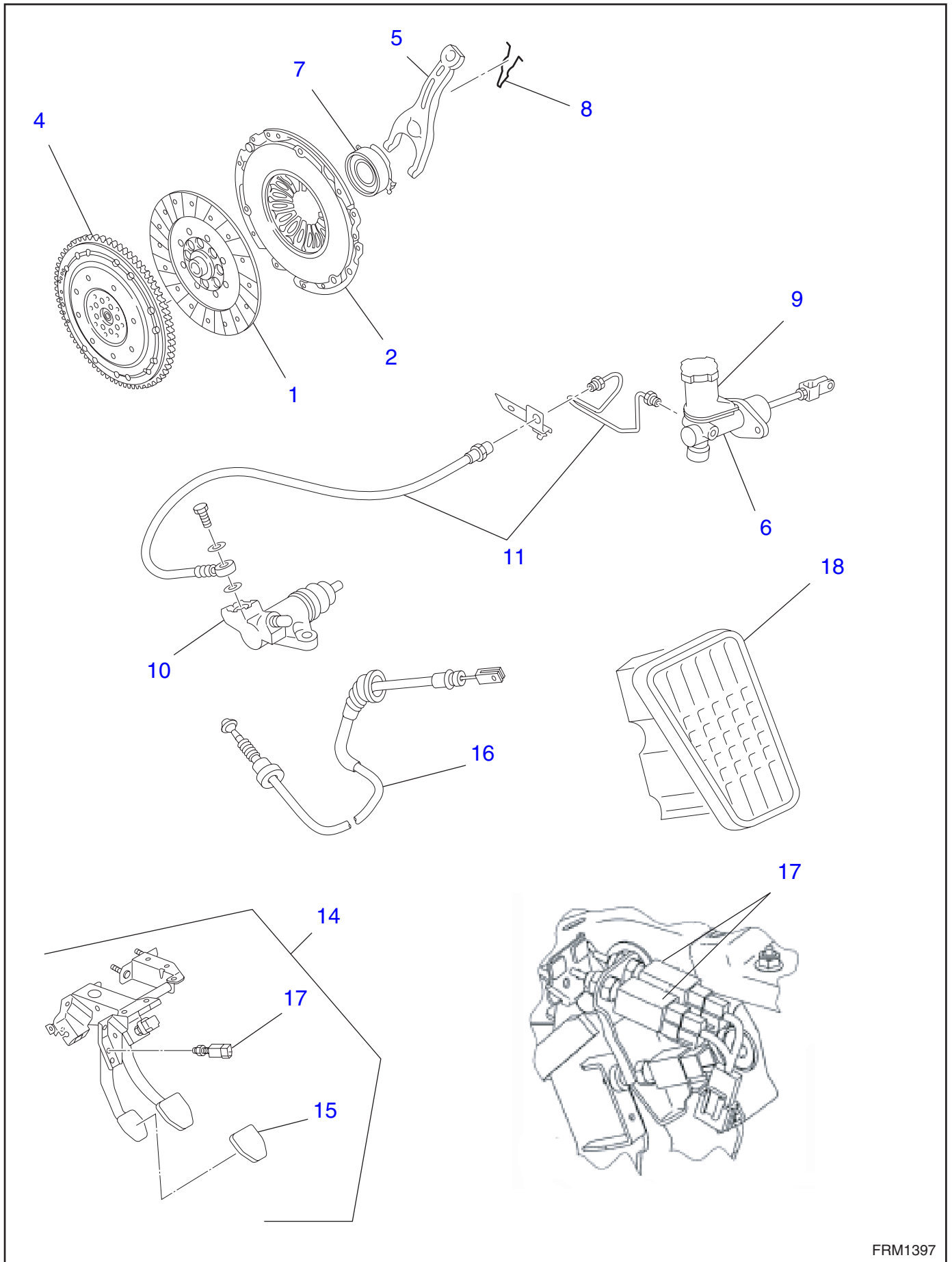
MT

No.	Work No.	Vehicle Information	Work Description	TIME (HOURS)								
				LEGACY			FORESTER			TRIB ECA	EXI GA	SVX
				3	4	5	1	2	3			
66	MT0066R		Selector lever	-	-	6.0	-	-	6.0	-	-	-
67	MT0067R		Shift lever	-	-	6.0	-	-	6.0	-	-	-
68	MT0068R		Shift cable bracket	-	-	0.9	-	-	0.9	-	-	-
69	MT0069R		Select cable bracket	-	-	1.3	-	-	1.3	-	-	-
70	MT0070R		Transmission main mounting bracket	-	-	0.5	-	-	-	-	-	-
71	MT0071R		Transmission main mounting / One side	-	-	3.4	-	-	-	-	-	-
	MT00715		Transmission main mounting / Opposite side	-	-	0.2	-	-	-	-	-	-
72	MT0072R		Clutch actuator Assy	-	-	-	-	-	-	-	-	-
73	MT0073R		Transmission control unit	-	-	-	-	-	-	-	-	-
	MT0999Z		Other	**	**	**	**	**	**	**	**	**

CL

CLUTCH SYSTEM





CL

No.	Work No.	Vehicle Information	Work Description	TIME (HOURS)									
				Justy			TRE ZIA	IMPREZA				LEGACY	
				1	2	3		1	2	3	4	1	2
1	CL0001R		Clutch disc	4.5	3.0	4.3	4.4	4.3	4.3	4.3	4.3	4.3	4.3
	CL0001R	DO TC	Clutch disc	-	-	-	-	5.6	5.6	5.6	-	5.6	-
2	CL0002R		Clutch cover	-	2.9	4.3	4.3	4.3	4.3	4.3	4.3	4.3	4.3
	CL0002R	DO TC	Clutch cover	-	-	-	-	5.6	5.6	5.6	-	5.6	-
4	CL0004R		Flywheel	3.7	3.0	3.5	4.2	4.9	4.9	4.9	4.9	4.9	4.9
	CL0004R	DO TC	Flywheel	-	-	-	-	6.2	6.2	6.2	-	6.2	-
5	CL0005R		Clutch release fork and lever	4.5	3.0	4.3	-	4.8	4.8	4.8	4.8	4.8	4.8
	CL0005R	DO TC	Clutch release fork and lever	-	-	-	-	6.1	6.1	6.1	-	6.1	-
6	CL0006R		Clutch master cylinder Assy / include air bleeding	-	-	-	2.5	0.9	0.9	0.9	0.9	0.9	0.9
7	CL0007R		Clutch release bearing	4.3	2.8	4.3	3.9	4.7	4.7	4.7	4.7	4.7	4.7
	CL0007R	DO TC	Clutch release bearing	-	-	-	-	6.0	6.0	6.0	-	6.0	-
8	CL0008R		Clutch release bearing spring	-	-	-	-	5.0	5.0	5.0	5.0	5.0	5.0
	CL0008R	DO TC	Clutch release bearing spring	-	-	-	-	6.3	6.3	6.3	-	6.3	-
9	CL0009R		Clutch fluid reservoir tank	-	-	-	-	0.5	0.5	0.5	-	0.5	0.5
10	CL0010R		Clutch operating cylinder / include air bleeding	-	-	-	-	0.8	0.8	0.8	0.8	0.8	0.8
11	CL0011R		Clutch pipe and hose / include air bleeding	-	-	-	-	1.2	1.2	1.2	1.2	1.2	1.2
12*	CL0012R		Clutch fluid / include air bleeding	-	-	-	-	0.7	0.7	0.7	0.7	0.7	0.7
13*	CL0013R		Clutch fluid air bleeding	-	-	-	-	0.2	0.2	0.2	0.2	0.2	0.2
14	CL0014R		Clutch pedal Assy	0.3	0.8	0.4	1.2	0.4	0.4	0.4	0.4	0.4	0.4
15	CL0015R		Clutch pedal pad	-	-	-	-	0.1	0.1	0.1	0.1	0.1	0.1
16	CL0016R		Clutch cable	0.5	0.3	0.8	-	0.2	0.2	-	-	0.2	0.2
17	CL0017A	LHD	Clutch switch	-	-	-	-	0.2	0.2	0.2	0.7	0.2	0.2
	CL0017A	RHD	Clutch switch	-	-	-	-	0.2	0.2	0.2	0.5	0.2	0.2
	CL0017R	LHD	Clutch switch (Single type)	-	-	-	-	0.2	0.2	0.2	0.7	0.2	0.2
	CL0017R	RHD	Clutch switch (Single type)	-	-	-	-	0.2	0.2	0.2	0.5	0.2	0.2
	CL0017R	LHD	Clutch switch (Double type)	-	-	-	-	-	-	-	0.8	-	-
	CL0017R	RHD	Clutch switch (Double type)	-	-	-	-	-	-	-	0.6	-	-
18	CL0018R		Footrest	-	-	-	-	0.1	0.1	0.1	0.1	0.1	0.1
19*	CL0019R		Cruise control switch	-	-	-	-	0.2	0.2	0.2	-	0.2	0.2
	CL0999Z		Other	**	**	**	**	**	**	**	**	**	**

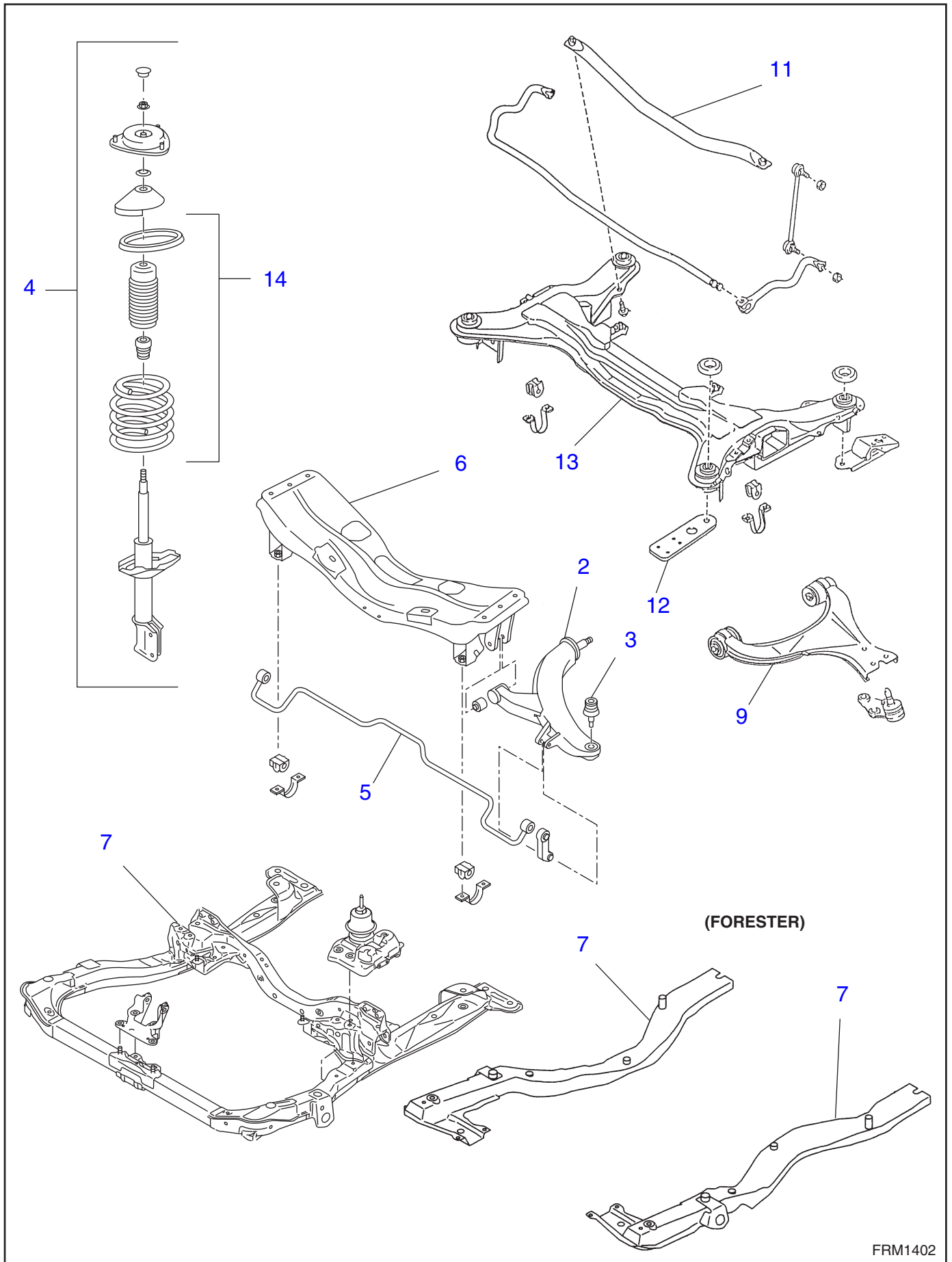
CL

No.	Work No.	Vehicle Information	Work Description	TIME (HOURS)								
				LEGACY			FORESTER			TRIB ECA	EXI GA	SVX
				3	4	5	1	2	3			
1	CL0001R		Clutch disc	4.3	4.3	4.9	4.3	4.3	4.3	-	-	-
	CL0001R	DO TC	Clutch disc	-	-	5.6	5.6	5.6	5.6	-	-	-
2	CL0002R		Clutch cover	4.3	4.3	4.9	4.3	4.3	4.3	-	-	-
	CL0002R	DO TC	Clutch cover	-	-	5.6	5.6	5.6	5.6	-	-	-
4	CL0004R		Flywheel	4.9	4.9	5.1	4.9	4.9	4.9	-	-	-
	CL0004R	DO TC	Flywheel	-	-	5.8	6.2	6.2	6.2	-	-	-
5	CL0005R		Clutch release fork and lever	4.8	4.8	4.8	4.8	4.8	4.8	-	-	-
	CL0005R	DO TC	Clutch release fork and lever	-	-	5.5	6.1	6.1	6.1	-	-	-
6	CL0006R		Clutch master cylinder Assy / include air bleeding	0.9	0.9	0.9	0.9	0.9	0.9	-	-	-
7	CL0007R		Clutch release bearing	4.7	4.7	4.8	4.7	4.7	4.7	-	-	-
	CL0007R	DO TC	Clutch release bearing	-	-	5.5	6.0	6.0	6.0	-	-	-
8	CL0008R		Clutch release bearing spring	5.0	5.0	5.0	5.0	5.0	5.0	-	-	-
	CL0008R	DO TC	Clutch release bearing spring	-	-	5.7	6.3	6.3	6.3	-	-	-
9	CL0009R		Clutch fluid reservoir tank	0.5	0.5	0.5	0.5	0.5	0.5	-	-	-
10	CL0010R		Clutch operating cylinder / include air bleeding	0.8	0.8	0.8	0.8	0.8	0.8	-	-	-
11	CL0011R		Clutch pipe and hose / include air bleeding	1.2	1.2	1.2	1.2	1.2	1.2	-	-	-
12*	CL0012R		Clutch fluid / include air bleeding	0.7	0.7	0.7	0.7	0.7	0.7	-	-	-
13*	CL0013R		Clutch fluid air bleeding	0.2	0.2	0.2	0.2	0.2	0.2	-	-	-
14	CL0014R		Clutch pedal Assy	0.4	0.6	0.6	0.4	0.4	0.4	-	-	-
15	CL0015R		Clutch pedal pad	0.1	0.1	0.1	0.1	0.1	0.1	-	-	-
16	CL0016R		Clutch cable	0.2	-	-	0.2	0.2	-	-	-	-
17	CL0017A	LHD	Clutch switch	0.2	0.2	0.2	0.2	0.2	0.2	-	-	-
	CL0017A	RHD	Clutch switch	0.2	0.2	0.2	0.2	0.2	0.2	-	-	-
	CL0017R	LHD	Clutch switch (Single type)	0.2	0.2	0.3	0.2	0.2	0.2	-	-	-
	CL0017R	RHD	Clutch switch (Single type)	0.2	0.2	0.3	0.2	0.2	0.2	-	-	-
	CL0017R	LHD	Clutch switch (Double type)	-	-	-	-	-	-	-	-	-
	CL0017R	RHD	Clutch switch (Double type)	-	-	-	-	-	-	-	-	-
18	CL0018R		Footrest	0.1	0.2	0.2	0.1	0.1	0.1	-	-	-
19*	CL0019R		Cruise control switch	0.2	0.2	0.2	0.2	0.2	-	-	-	-
	CL0999Z		Other	**	**	**	**	**	**	**	**	**

FS

FRONT SUSPENSION





FRM1402

FS

No.	Work No.	Vehicle Information	Work Description	TIME (HOURS)									
				Justy			TRE ZIA	IMPREZA				LEGACY	
				1	2	3		1	2	3	4	1	2
1*	FS0001A		Front wheel alignment	0.5	0.5	-	-	0.9	0.9	0.9	0.9	0.9	0.9
2	FS0002R		Transverse link Assy / One side	1.0	1.0	-	2.4	0.4	0.4	0.4	0.4	0.4	0.4
	FS00025		Transverse link Assy / Opposite side	0.4	0.4	-	0.1	0.3	0.3	0.3	0.3	0.3	0.3
3	FS0003R		Front ball joint	-	-	-	-	0.2	0.2	0.2	0.2	0.2	0.2
4	FS0004D		Front strut Assy OH / One side	-	0.8	1.0	-	1.0	1.0	1.0	1.0	1.0	1.0
	FS00042		Front strut Assy OH / Opposite side	-	0.4	0.5	-	0.8	0.8	0.8	1.0	0.8	0.8
	FS0004R		Front strut Assy / One side	0.9	0.8	-	1.5	-	-	-	-	-	-
	FS00045		Front strut Assy / Opposite side	0.4	0.4	-	0.4	-	-	-	-	-	-
5	FS0005R		Front stabilizer	0.5	0.6	0.6	2.1	0.3	0.3	0.6	0.6	0.3	0.3
6	FS0006R		Front crossmember	-	-	-	-	1.9	1.9	2.1	2.1	1.9	1.9
7	FS0007R		Sub frame (Cradle) / One side	-	-	-	-	-	0.5	-	-	-	-
	FS00075		Sub frame / Opposite side	-	-	-	-	-	-	-	-	-	-
9	FS0009R		Lower arm / One side	-	1.0	1.0	-	-	-	-	-	-	-
	FS00095		Lower arm / Opposite side	-	0.4	-	-	-	-	-	-	-	-
11	FS0011R		Performance rod	-	-	-	-	-	-	-	-	-	-
12	FS0012R		Front support arm	-	-	-	-	-	-	-	-	0.1	-
13	FS0013R		Sub frame	-	-	-	-	-	-	-	-	-	-
14	FS0014R		Front coil spring, rubber seat, Helper / One side	-	-	-	-	1.0	1.0	1.0	1.0	1.0	1.0
	FS00145		Front coil spring, rubber seat, Helper / Opsite side	-	-	-	-	0.8	0.8	0.8	0.8	0.8	0.8
	FS0999Z		Other	**	**	**	**	**	**	**	**	**	**

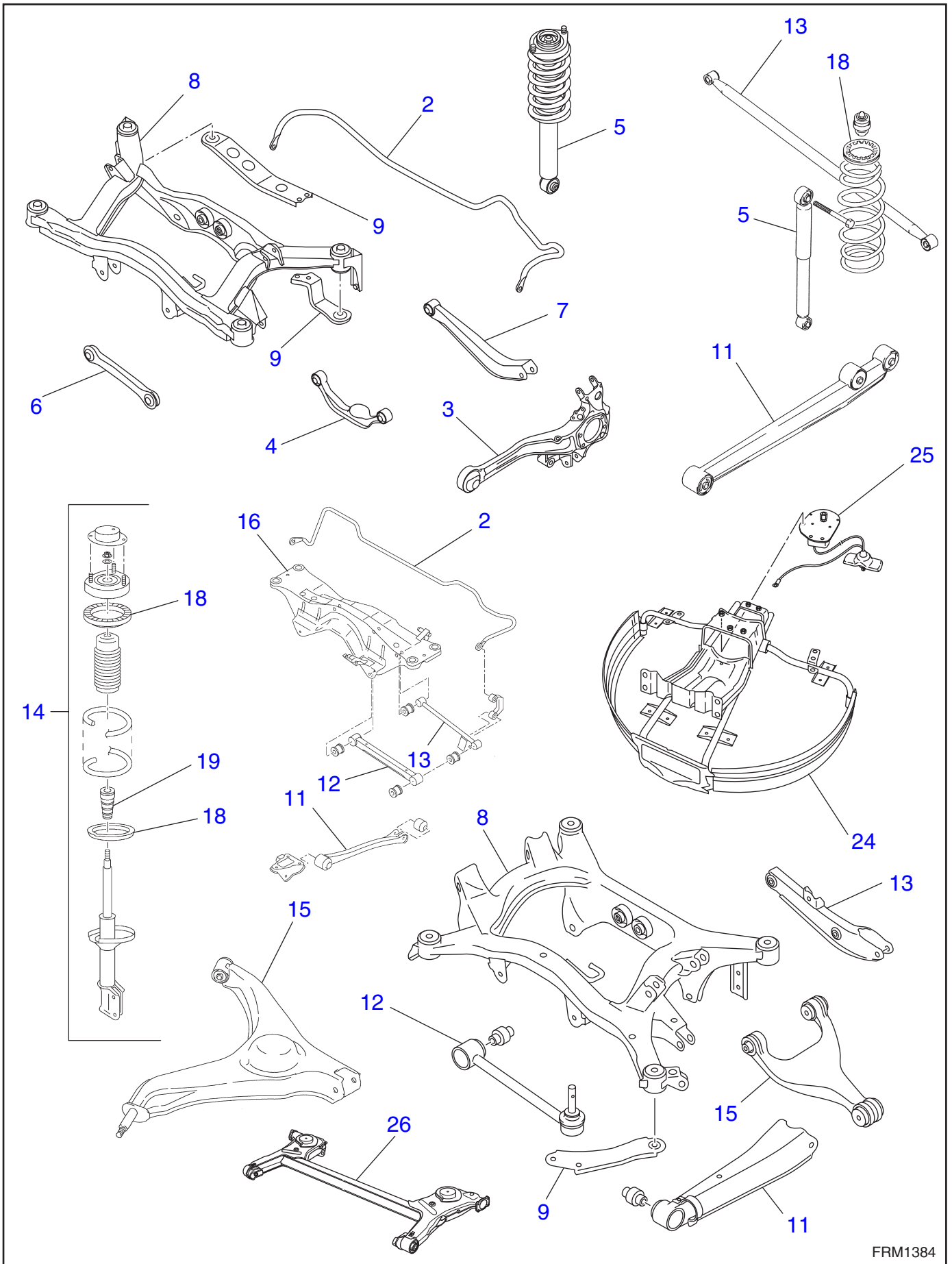
FS

No.	Work No.	Vehicle Information	Work Description	TIME (HOURS)									
				LEGACY			FORESTER			TRIB ECA	EXI GA	SVX	
				3	4	5	1	2	3				
1*	FS0001A		Front wheel alignment	0.9	0.9	0.9	0.9	0.9	0.9	0.9	0.9	0.9	0.9
2	FS0002R		Transverse link Assy / One side	0.4	0.4	0.4	0.4	0.4	0.4	0.4	0.4	0.4	0.4
	FS00025		Transverse link Assy / Opposite side	0.3	0.3	0.3	0.3	0.3	0.3	0.3	0.3	0.3	0.3
3	FS0003R		Front ball joint	0.2	0.2	0.2	0.2	0.2	0.2	0.2	0.2	0.2	0.3
4	FS0004D		Front strut Assy OH / One side	1.0	1.0	1.0	1.0	1.0	1.0	1.0	1.0	1.0	1.0
	FS00042		Front strut Assy OH / Opposite side	0.8	0.8	0.8	0.8	0.8	0.8	0.8	0.8	0.8	0.8
	FS0004R		Front strut Assy / One side	-	-	-	-	-	-	-	-	-	-
	FS00045		Front strut Assy / Opposite side	-	-	-	-	-	-	-	-	-	-
5	FS0005R		Front stabilizer	0.3	0.3	0.6	0.3	0.3	0.6	0.3	0.6	0.5	
6	FS0006R		Front crossmember	1.9	1.9	2.1	1.9	1.9	2.1	1.9	2.1	1.9	
7	FS0007R		Sub frame (Cradle) / One side	-	-	3.9	-	0.3	-	-	-	-	-
	FS00075		Sub frame / Opposite side	-	-	-	-	0.2	-	-	-	-	-
9	FS0009R		Lower arm / One side	-	-	-	-	-	-	-	-	-	0.5
	FS00095		Lower arm / Opposite side	-	-	-	-	-	-	-	-	-	0.3
11	FS0011R		Performance rod	-	-	-	-	-	-	-	-	-	0.2
12	FS0012R		Front support arm	-	-	-	-	-	-	-	-	-	0.3
13	FS0013R		Sub frame	-	-	-	-	-	-	-	-	-	4.8
14	FS0014R		Front coil spring, rubber seat, Helper / One side	1.0	1.0	1.0	1.0	1.0	1.0	1.0	1.0	1.0	1.0
	FS00145		Front coil spring, rubber seat, Helper / Opposite side	0.8	0.8	0.8	0.8	0.8	0.8	0.8	0.8	0.8	0.8
	FS0999Z		Other	**	**	**	**	**	**	**	**	**	**

RS

REAR SUSPENSION





RS

No.	Work No.	Vehicle Information	Work Description	TIME (HOURS)									
				Justy			TRE ZIA	IMPREZA				LEGACY	
				1	2	3		1	2	3	4	1	2
1*	RS0001A		Rear wheel alignment	-	-	-	-	0.5	0.5	0.5	0.5	0.5	0.5
2	RS0002R		Rear stabilizer	0.5	-	-	-	0.2	0.2	0.3	0.3	0.2	0.2
3	RS0003R		Rear arm Assy	-	-	-	-	-	-	-	-	-	-
4	RS0004R		Link Upper Assy	-	-	-	-	-	-	-	-	-	-
5	RS0005R		Rear shock absorber Assy / One side	-	0.5	0.5	0.9	-	-	-	-	-	-
	RS00055		Rear shock absorber Assy / Opposite side	-	0.2	0.3	0.2	-	-	-	-	-	-
6	RS0006R		Link front Assy	-	-	-	-	-	-	-	-	-	-
7	RS0007R		Link rear Assy	-	-	-	-	-	-	-	-	-	-
8	RS0008R		Rear sub frame	-	-	-	-	-	-	2.0	2.0	-	-
9	RS0009R		Rear (Front) support sub frame	-	-	-	-	-	-	0.2	0.2	-	-
11	RS0011R		Rear trailing link Assy / One side	-	0.5	-	-	0.4	0.4	0.4	0.4	0.4	0.4
	RS00115		Rear trailing link Assy / Opposite side	-	0.2	-	-	0.3	0.3	0.3	0.3	0.3	0.3
12	RS0012R		Front lateral link Assy	-	-	-	-	0.7	0.7	0.4	0.4	0.5	0.7
13	RS0013R		Rear lateral link Assy	0.7	0.4	-	-	0.5	0.5	0.4	0.4	0.5	0.5
14	RS0014D		Rear strut (Shock absorber) Assy OH / One side	-	-	-	-	1.0	1.0	1.0	1.0	1.0	1.0
	RS00142		Rear strut (Shock absorber) Assy OH / Opposite side	-	-	-	-	0.8	0.8	0.8	0.8	0.8	0.8
	RS0014R		Rear strut Assy / One side	0.8	-	-	-	-	-	-	-	-	-
	RS00145		Rear strut Assy / Opposite side	0.5	-	-	-	-	-	-	-	-	-
15	RS0015R		Lower (Upper) arm	0.8	-	-	-	-	-	1.5	1.5	-	-
16	RS0016R		Rear Suspension crossmember	-	-	-	-	2.2	2.2	-	-	2.2	2.2
17*	RS0017R		Rear trailing arm Assy / Both	0.8	-	-	-	-	-	-	-	-	-
18	RS0018R		Rear coil spring, Upper and Lower rubber seat / One side	0.6	0.5	0.5	1.7	1.0	1.0	1.0	1.0	1.0	1.0
	RS00185		Rear coil spring, Upper and Lower rubber seat / Opposite side	0.3	0.2	0.3	0.1	0.8	0.8	0.8	0.8	0.8	0.8
19	RS0019R		Rear helper	-	-	-	-	0.9	0.9	-	-	0.9	0.9
24	RS0024R		Spare tire guide	-	-	-	-	-	-	-	-	-	-
25	RS0025R		Spare tire hoist	-	-	-	-	-	-	-	-	-	-
26	RS0026R		Rear Suspension arm	-	-	3.8	-	-	-	-	-	-	-
	RS0999Z		Other	**	**	**	**	**	**	**	**	**	**

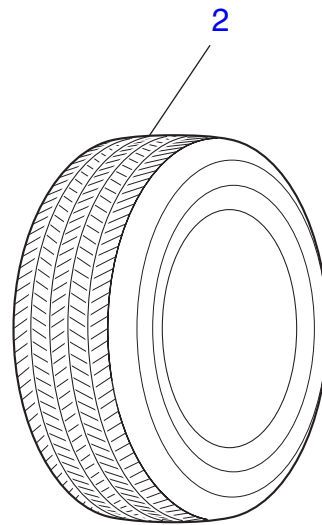
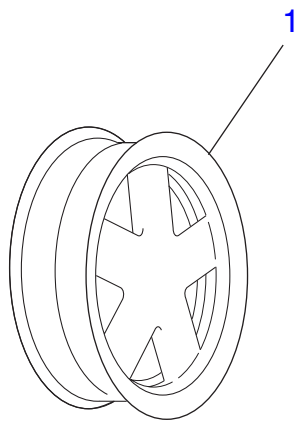
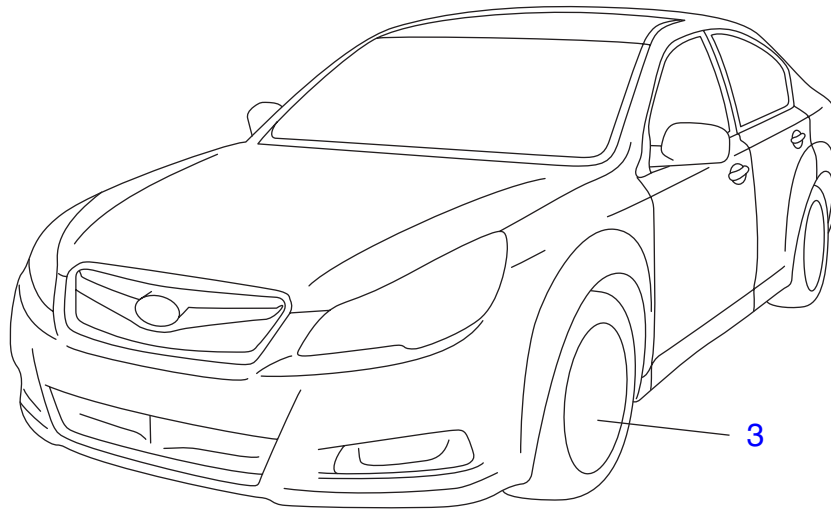
RS

No.	Work No.	Vehicle Information	Work Description	TIME (HOURS)								
				LEGACY			FORESTER			TRIB ECA	EXI GA	SVX
				3	4	5	1	2	3			
1*	RS0001A		Rear wheel alignment	0.5	0.5	0.5	0.5	0.5	0.5	0.5	0.5	0.5
2	RS0002R		Rear stabilizer	0.2	0.2	0.3	0.2	0.2	0.3	0.4	0.3	0.3
3	RS0003R		Rear arm Assy	1.1	1.1	-	-	-	-	-	-	-
4	RS0004R		Link Upper Assy	0.5	0.5	-	-	-	-	-	-	-
5	RS0005R		Rear shock absorber Assy / One side	-	-	-	-	-	-	-	-	-
	RS00055		Rear shock absorber Assy / Opposite side	-	-	-	-	-	-	-	-	-
6	RS0006R		Link front Assy	0.5	0.5	-	-	-	-	-	-	-
7	RS0007R		Link rear Assy	0.5	0.5	-	-	-	-	-	-	-
8	RS0008R		Rear sub frame	2.9	2.9	2.0	-	-	2.0	2.9	2.0	2.9
9	RS0009R		Rear (Front) support sub frame	0.2	0.2	0.2	-	-	0.2	0.2	0.2	-
11	RS0011R		Rear trailing link Assy / One side	-	-	0.4	0.4	0.4	0.4	0.4	0.4	0.4
	RS00115		Rear trailing link Assy / Opposite side	-	-	0.3	0.3	0.3	0.3	0.3	0.3	0.3
12	RS0012R		Front lateral link Assy	-	-	0.4	0.7	0.7	0.4	0.4	0.4	0.9
13	RS0013R		Rear lateral link Assy	-	-	0.4	0.5	0.5	0.4	0.4	0.4	0.7
14	RS0014D		Rear strut (Shock absorber) Assy OH / One side	1.0	1.0	1.0	1.0	1.0	1.0	1.0	1.0	1.0
	RS00142		Rear strut (Shock absorber) Assy OH / Opposite side	0.8	0.8	0.8	0.8	0.8	0.8	0.8	0.8	0.8
	RS0014R		Rear strut Assy / One side	-	-	-	-	-	-	-	-	-
	RS00145		Rear strut Assy / Opposite side	-	-	-	-	-	-	-	-	-
15	RS0015R		Lower (Upper) arm	-	-	1.5	-	-	1.5	1.5	1.5	-
16	RS0016R		Rear Suspension crossmember	-	-	-	2.2	2.2	-	-	-	2.2
17*	RS0017R		Rear trailing arm Assy / Both	-	-	-	-	-	-	-	-	-
18	RS0018R		Rear coil spring, Upper and Lower rubber seat / One side	-	-	1.0	1.0	1.0	1.0	1.0	1.0	1.0
	RS00185		Rear coil spring, Upper and Lower rubber seat / Opposite side	-	-	0.8	0.8	0.8	0.8	0.8	0.8	0.8
19	RS0019R		Rear helper	-	-	-	0.9	0.9	-	0.9	-	0.9
24	RS0024R		Spare tire guide	-	-	-	-	-	-	0.3	-	-
25	RS0025R		Spare tire hoist	-	-	-	-	-	-	0.2	-	-
26	RS0026R		Rear Suspension arm	-	-	-	-	-	-	-	-	-
	RS0999Z		Other	**	**	**	**	**	**	**	**	**

WT

WHEEL AND TIRE SYSTEM





WT

No.	Work No.	Vehicle Information	Work Description	TIME (HOURS)									
				Justy			TRE ZIA	IMPREZA				LEGACY	
				1	2	3		1	2	3	4	1	2
1	WT0001R		Wheel /1pcs.	-	-	-	0.3	0.3	0.3	0.4	0.4	0.3	0.3
2	WT0002R		Tire / 1pcs.	-	-	-	0.3	0.3	0.3	0.4	0.4	0.3	0.3
3	WT0003Z		Tire rotation	-	-	-	0.6	0.3	0.3	0.3	0.3	0.3	0.3
	WT0999Z		Other	**	**	**	**	**	**	**	**	**	**

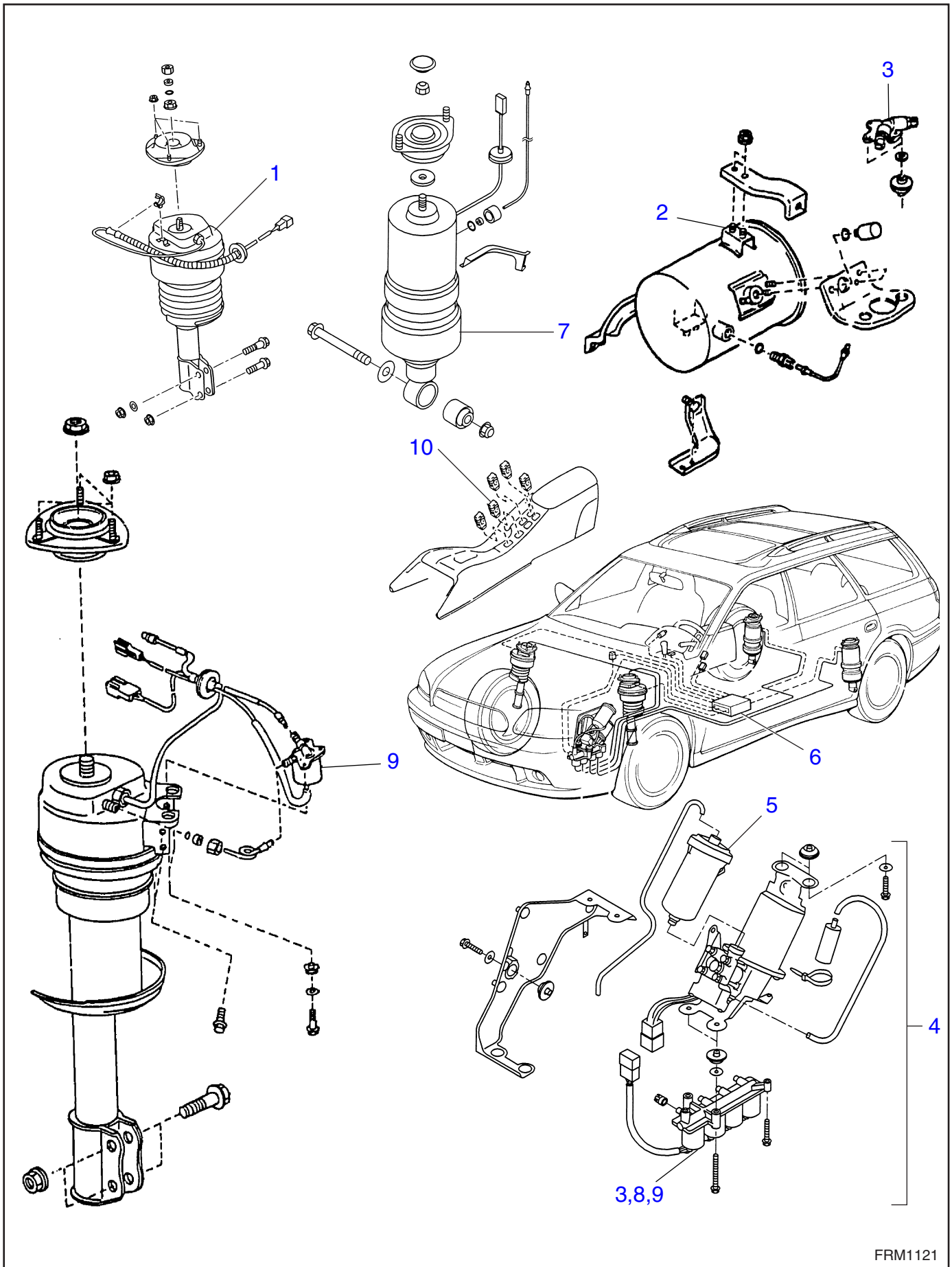
WT

No.	Work No.	Vehicle Information	Work Description	TIME (HOURS)								
				LEGACY			FORESTER			TRIB ECA	EXI GA	SVX
				3	4	5	1	2	3			
1	WT0001R		Wheel /1pcs.	0.3	0.4	0.4	0.3	0.3	0.4	0.4	0.4	0.3
2	WT0002R		Tire / 1pcs.	0.3	0.4	0.4	0.3	0.3	0.4	0.4	0.4	0.3
3	WT0003Z		Tire rotation	0.3	0.3	0.3	0.3	0.3	0.3	0.3	0.3	0.3
	WT0999Z		Other	**	**	**	**	**	**	**	**	**

AS

AIR SUSPENSION





AS

No.	Work No.	Vehicle Information	Work Description	TIME (HOURS)									
				Justy			TRE ZIA	IMPREZA				LEGACY	
				1	2	3		1	2	3	4	1	2
1	AS0001R		Front air suspension Assy / One side	-	-	-	-	-	-	-	-	1.3	1.3
	AS00015		Front air suspension Assy / Opposite side	-	-	-	-	-	-	-	-	0.4	0.4
2	AS0002R		Air tank CP	-	-	-	-	-	-	-	-	0.3	0.3
3	AS0003R		Solenoid valve Assy (air tank)	-	-	-	-	-	-	-	-	0.5	0.5
4	AS0004R		Compressor	-	-	-	-	-	-	-	-	0.5	0.5
5	AS0005R		Drier	-	-	-	-	-	-	-	-	0.5	0.5
6	AS0006R		Air suspension control module	-	-	-	-	-	-	-	-	0.3	0.3
7	AS0007R		Rear air suspension Assy / One side	-	-	-	-	-	-	-	-	0.5	0.5
	AS00075		Rear air suspension Assy / Opposite side	-	-	-	-	-	-	-	-	0.5	0.5
8	AS0008R		Front solenoid valve Assy / One side	-	-	-	-	-	-	-	-	0.1	0.1
	AS00085		Front solenoid valve Assy / Opposite side	-	-	-	-	-	-	-	-	0.1	0.1
9	AS0009R		Rear solenoid valve Assy / One side	-	-	-	-	-	-	-	-	0.5	0.5
	AS00095		Rear solenoid valve Assy / Opposite side	-	-	-	-	-	-	-	-	0.5	0.5
10	AS0010R		Height control switch	-	-	-	-	-	-	-	-	0.1	0.1
	AS0999Z		Other	**	**	**	**	**	**	**	**	**	**

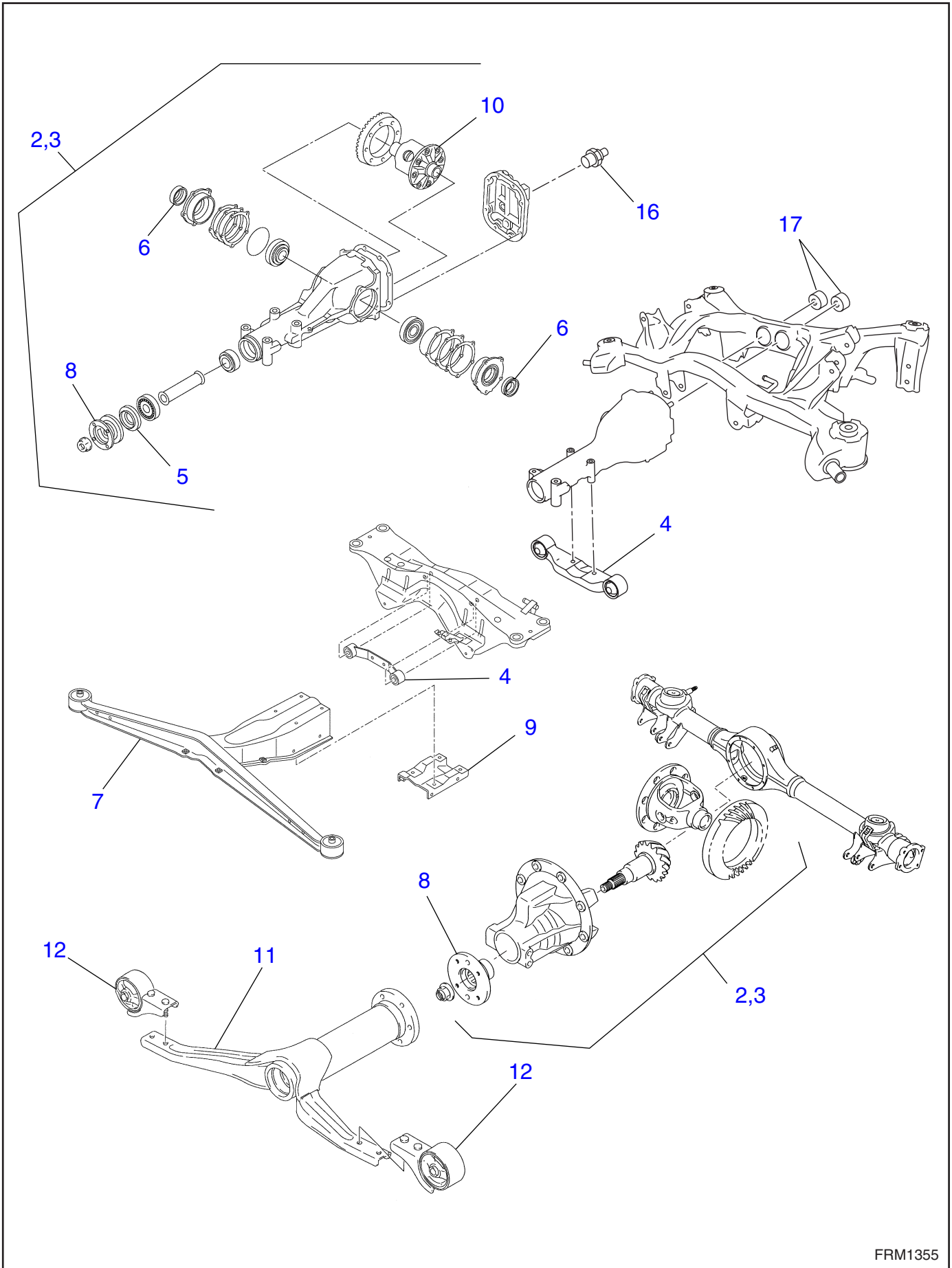
AS

No.	Work No.	Vehicle Information	Work Description	TIME (HOURS)								
				LEGACY			FORESTER			TRIB ECA	EXI GA	SVX
				3	4	5	1	2	3			
1	AS0001R		Front air suspension Assy / One side	1.3	-	-	-	-	-	-	-	-
	AS00015		Front air suspension Assy / Opposite side	0.4	-	-	-	-	-	-	-	-
2	AS0002R		Air tank CP	0.3	-	-	-	-	-	-	-	-
3	AS0003R		Solenoid valve Assy (air tank)	0.5	-	-	-	-	-	-	-	-
4	AS0004R		Compressor	0.5	-	-	-	-	-	-	-	-
5	AS0005R		Drier	0.5	-	-	-	-	-	-	-	-
6	AS0006R		Air suspension control module	0.3	-	-	-	-	-	-	-	-
7	AS0007R		Rear air suspension Assy / One side	0.5	-	-	-	-	-	-	-	-
	AS00075		Rear air suspension Assy / Opposite side	0.5	-	-	-	-	-	-	-	-
8	AS0008R		Front solenoid valve Assy / One side	0.1	-	-	-	-	-	-	-	-
	AS00085		Front solenoid valve Assy / Opposite side	0.1	-	-	-	-	-	-	-	-
9	AS0009R		Rear solenoid valve Assy / One side	0.5	-	-	-	-	-	-	-	-
	AS00095		Rear solenoid valve Assy / Opposite side	0.5	-	-	-	-	-	-	-	-
10	AS0010R		Height control switch	0.1	-	-	-	-	-	-	-	-
	AS0999Z		Other	**	**	**	**	**	**	**	**	**

DI

DIFFERENTIALS





DI

No.	Work No.	Vehicle Information	Work Description	TIME (HOURS)									
				Justy			TRE ZIA	IMPREZA				LEGACY	
				1	2	3		1	2	3	4	1	2
1*	DI0001R		Rear differential Oil	0.2	0.2	0.4	-	0.2	0.2	0.2	-	0.2	0.2
2	DI0002R		Rear (front) differential Assy	2.2	2.0	1.8	-	1.8	1.8	1.0	1.0	1.8	1.8
3	DI0003D		Rear differential Assy OH (VA-type)	4.2	3.6	4.0	-	4.2	4.2	3.4	3.4	4.2	4.2
4	DI0004R		Rear differential member	-	-	-	-	1.8	1.8	0.6	0.6	1.8	1.8
5	DI0005R		Rear differential front oil seal	-	1.0	1.2	-	0.8	1.3	1.3	1.3	0.9	1.3
6	DI0006R		Rear differential side oil seal	-	-	-	-	1.5	1.5	1.5	1.5	1.5	1.5
7	DI0007R		Rear differential front member Assy	1.4	-	-	-	1.8	1.8	-	-	1.8	0.3
8	DI0008R		Companion flange	-	0.6	-	-	0.6	0.6	0.6	0.6	0.6	0.6
9	DI0009R		Rear differential Lower cover Assy	-	-	-	-	0.1	0.1	-	-	0.1	-
10	DI0010R		Rear differential viscous LSD	-	-	-	-	3.3	3.3	-	-	-	-
11	DI0011R		Bracket Assy	0.6	-	-	-	-	-	-	-	-	-
12	DI0012R		Front differential mounting cushion rubber / Opposite side	0.6	-	-	-	-	-	-	-	-	-
16	DI0016R		Thermo switch Assy	-	-	-	-	-	0.2	0.2	-	-	-
17	DI00176		Rear differential mounting bush / Both side	-	-	-	-	-	2.1	2.1	2.1	-	-
	DI0999Z		Other	**	**	**	**	**	**	**	**	**	**

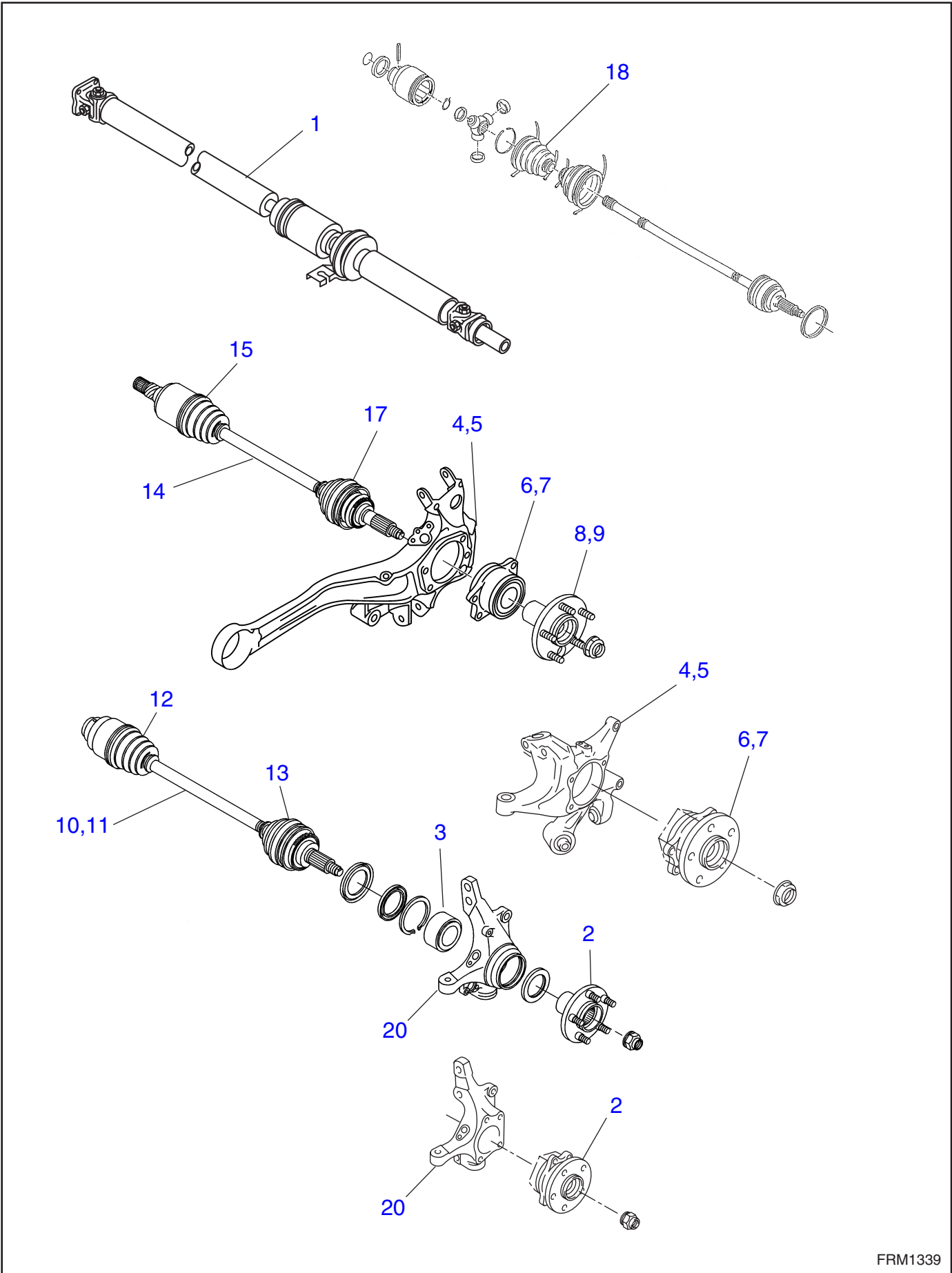
DI

No.	Work No.	Vehicle Information	Work Description	TIME (HOURS)								
				LEGACY			FORESTER			TRIB ECA	EXI GA	SVX
				3	4	5	1	2	3			
1*	DI0001R		Rear differential Oil	0.2	0.2	0.2	0.2	0.2	0.2	0.2	0.2	0.2
2	DI0002R		Rear (front) differential Assy	1.0	1.0	1.0	1.8	1.8	1.0	1.0	1.0	2.0
3	DI0003D		Rear differential Assy OH (VA-type)	3.4	3.4	3.4	4.2	4.2	3.4	3.4	3.4	-
4	DI0004R		Rear differential member	-	0.6	0.6	1.8	1.8	0.6	-	0.6	1.4
5	DI0005R		Rear differential front oil seal	1.3	1.3	1.3	0.9	1.3	1.3	1.3	1.3	1.0
6	DI0006R		Rear differential side oil seal	1.5	1.5	1.5	1.5	1.5	1.5	1.5	1.5	2.0
7	DI0007R		Rear differential front member Assy	0.5	-	-	1.8	1.8	-	0.5	-	1.8
8	DI0008R		Companion flange	0.6	0.6	0.6	0.6	0.6	0.6	0.6	0.6	1.0
9	DI0009R		Rear differential Lower cover Assy	-	-	-	0.1	0.1	-	-	-	-
10	DI0010R		Rear differential viscous LSD	-	-	-	-	-	-	-	-	3.3
11	DI0011R		Bracket Assy	-	-	-	-	-	-	-	-	-
12	DI0012R		Front differential mounting cushion rubber / Opposite side	-	-	-	-	-	-	-	-	-
16	DI0016R		Thermo switch Assy	-	-	-	-	0.2	0.2	0.6	-	-
17	DI00176		Rear differential mounting bush / Both side	1.2	1.4	1.4	-	2.7	2.1	1.4	2.1	-
	DI0999Z		Other	**	**	**	**	**	**	**	**	**

DS

DRIVE SHAFT SYSTEM





DS

No.	Work No.	Vehicle Information	Work Description	TIME (HOURS)									
				Justy			TRE ZIA	IMPREZA				LEGACY	
				1	2	3		1	2	3	4	1	2
1	DS0001R		Propeller shaft Assy	0.9	0.7	0.8	-	0.6	0.6	0.6	0.6	0.6	0.6
2	DS0002R		Front hub	1.0	1.1	1.0	1.6	1.0	1.0	-	-	1.0	1.0
3	DS0003R		Front housing bearing	1.5	1.2	1.1	1.6	1.0	1.0	1.1	1.1	1.0	1.0
4	DS0004R		Rear housing / Disc	-	-	-	-	1.5	1.5	1.5	1.5	1.5	1.5
5	DS0005R		Rear housing / Drum	-	1.5	-	-	1.7	1.7	1.7	-	1.7	1.7
6	DS0006R		Rear housing bearing / Disc	-	-	1.1	1.5	1.6	1.6	1.3	1.3	1.6	1.6
7	DS0007R		Rear housing bearing / Drum	1.2	1.5	1.4	1.5	1.7	1.7	1.7	-	1.7	1.7
8	DS0008R		Rear hub / Drum	0.8	-	-	1.5	0.9	0.9	-	-	0.9	1.2
9	DS0009R		Rear hub / Disc	0.5	-	-	1.5	0.8	0.8	-	-	0.8	1.2
10	DS0010R		Front drive shaft Assy / One side	0.9	0.9	1.2	1.6	0.7	0.7	0.7	0.7	0.7	0.7
	DS00105		Front drive shaft Assy / Opposite side	0.7	0.3	0.4	0.5	0.6	0.6	0.5	0.5	0.6	0.6
	DS0010R	DO TC	Front drive shaft Assy / One side	-	-	-	-	0.6	0.6	0.7	-	0.6	-
	DS00105	DO TC	Front drive shaft Assy / Opposite side	-	-	-	-	0.3	0.3	0.5	-	0.3	-
11	DS0011D		Front drive shaft Assy OH / One side	1.3	1.1	-	-	1.2	1.2	1.1	1.1	1.2	1.2
	DS00112		Front drive shaft Assy OH / Opposite side	1.0	0.8	-	-	1.0	1.0	0.9	0.9	1.0	1.0
	DS0011D	DO TC	Front drive shaft Assy OH / One side	-	-	-	-	1.2	1.2	1.1	-	1.2	-
	DS00112	DO TC	Front drive shaft Assy OH / Opposite side	-	-	-	-	1.0	1.0	0.9	-	1.0	-
12	DS0012R		Front inner boot / One side	1.3	1.3	1.4	1.8	0.7	0.7	1.0	1.0	0.7	0.7
	DS00125		Front inner boot / Opposite side	1.0	1.0	0.7	0.6	0.7	0.7	0.8	0.8	0.7	0.7
	DS0012R	DO TC	Front inner boot / One side	-	-	-	-	1.2	1.2	1.1	-	-	-
	DS00125	DO TC	Front inner boot / Opposite side	-	-	-	-	1.2	1.2	0.9	-	-	-
13	DS0013R		Front outer boot / One side	1.3	-	-	1.8	0.7	0.7	1.1	1.1	0.7	0.7
	DS00135		Front outer boot / Opposite side	1.0	-	-	0.6	0.7	0.7	0.9	0.9	0.7	0.7
14	DS0014D		Rear drive shaft Assy OH / One side	-	-	-	-	1.0	1.0	1.0	1.0	1.0	1.0
	DS00142		Rear drive shaft Assy OH / Opposite side	-	-	-	-	1.0	1.0	0.8	0.8	1.0	1.0
	DS0014R		Rear drive shaft Assy / One side	0.9	1.6	-	-	0.7	0.7	0.6	0.6	0.7	0.7
	DS00145		Rear drive shaft Assy / Opposite side	0.7	0.8	-	-	0.7	0.7	0.4	0.4	0.7	0.7
15	DS0015R		Rear inner boot / One side	1.3	-	-	-	0.8	0.8	0.8	0.8	0.8	0.8
	DS00155		Rear inner boot / Opposite side	1.0	-	-	-	0.6	0.6	0.6	0.6	0.6	0.6
17	DS0017R		Rear outer boot / One side	1.3	-	-	-	0.8	0.9	0.9	0.9	0.9	0.9
	DS00175		Rear outer boot / Opposite side	1.0	-	-	-	0.7	0.7	0.7	0.7	0.7	0.7
18	DS0018R		FTJ boot / One side	-	-	-	-	-	-	-	-	-	-
	DS00185		FTJ boot / Opposite side	-	-	-	-	-	-	-	-	-	-
20	DS0020R		Front housing	-	-	-	1.6	1.5	1.5	1.1	-	-	1.5
	DS0999Z		Other	**	**	**	**	**	**	**	**	**	**

DS

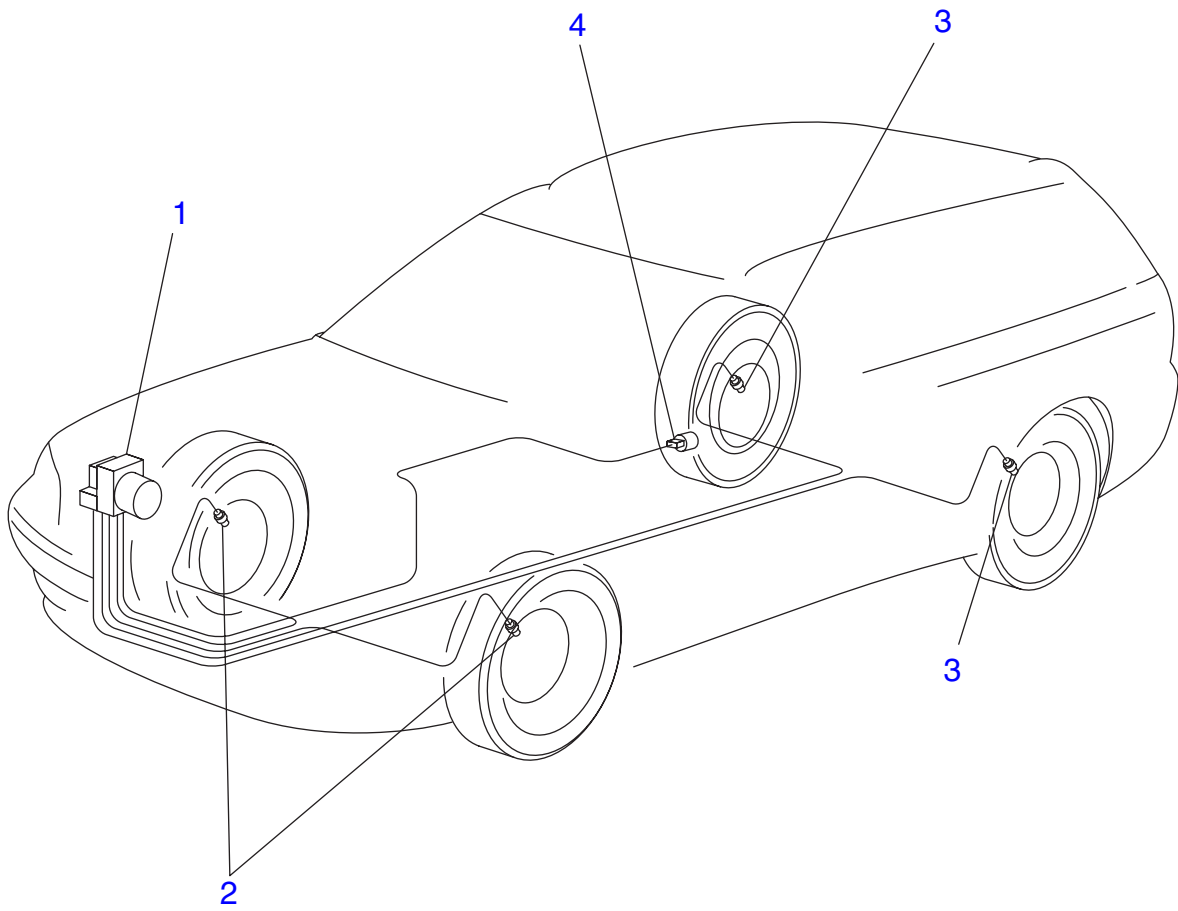
No.	Work No.	Vehicle Information	Work Description	TIME (HOURS)										
				LEGACY			FORESTER			TRIB ECA	EXI GA	SVX		
				3	4	5	1	2	3					
1	DS0001R		Propeller shaft Assy	0.6	0.6	0.6	0.6	0.6	0.6	0.6	0.6	0.6	0.6	0.8
2	DS0002R		Front hub	1.0	-	-	1.0	1.0	-	-	-	-	-	1.0
3	DS0003R		Front housing bearing	1.0	1.1	1.1	1.0	1.0	1.1	1.2	1.1	1.3		
4	DS0004R		Rear housing / Disc	1.5	-	-	1.5	1.5	1.5	1.5	1.5	1.4		
5	DS0005R		Rear housing / Drum	1.7	-	-	1.7	1.7	-	-	-	-		
6	DS0006R		Rear housing bearing / Disc	1.6	1.3	1.3	1.6	1.6	1.3	1.3	1.3	1.6		
7	DS0007R		Rear housing bearing / Drum	1.7	-	-	1.7	1.7	-	-	-	-		
8	DS0008R		Rear hub / Drum	1.2	-	-	0.9	0.9	-	-	-	-		
9	DS0009R		Rear hub / Disc	1.2	-	-	0.8	0.8	-	-	-	1.5		
10	DS0010R		Front drive shaft Assy / One side	0.7	0.7	0.7	0.7	0.7	0.7	0.7	0.7	0.9		
	DS00105		Front drive shaft Assy / Opposite side	0.6	0.5	0.5	0.6	0.6	0.5	0.5	0.5	0.8		
	DS0010R	DO TC	Front drive shaft Assy / One side	-	0.6	0.7	0.6	0.6	0.7	-	0.7	-		
	DS00105	DO TC	Front drive shaft Assy / Opposite side	-	0.3	0.5	0.3	0.3	0.5	-	0.5	-		
11	DS0011D		Front drive shaft Assy OH / One side	1.2	1.1	1.1	1.2	1.2	1.1	1.1	1.1	1.2		
	DS00112		Front drive shaft Assy OH / Opposite side	1.0	1.0	1.0	1.0	1.0	1.0	1.0	1.0	1.0		
	DS0011D	DO TC	Front drive shaft Assy OH / One side	-	1.2	1.1	1.2	1.2	1.1	-	1.1	-		
	DS00112	DO TC	Front drive shaft Assy OH / Opposite side	-	1.0	0.9	1.0	1.0	0.9	-	0.9	-		
12	DS0012R		Front inner boot / One side	0.7	1.0	1.0	-	0.7	1.0	1.0	1.0	1.0		
	DS00125		Front inner boot / Opposite side	0.7	0.8	0.8	-	0.7	0.8	0.8	0.8	0.8		
	DS0012R	DO TC	Front inner boot / One side	-	1.2	1.1	-	1.2	1.1	-	1.1	-		
	DS00125	DO TC	Front inner boot / Opposite side	-	1.2	0.9	-	1.2	0.9	-	0.9	-		
13	DS0013R		Front outer boot / One side	0.7	1.1	1.1	0.7	0.7	1.1	1.1	1.1	1.1		
	DS00135		Front outer boot / Opposite side	0.7	0.9	0.9	0.7	0.7	0.9	0.9	0.9	0.9		
14	DS0014D		Rear drive shaft Assy OH / One side	1.0	1.0	1.0	1.0	1.0	1.0	1.0	1.0	1.2		
	DS00142		Rear drive shaft Assy OH / Opposite side	1.0	0.8	0.8	1.0	1.0	0.8	0.8	0.8	0.8		
	DS0014R		Rear drive shaft Assy / One side	0.7	0.7	0.6	0.7	0.7	0.6	0.7	0.6	0.9		
	DS00145		Rear drive shaft Assy / Opposite side	0.7	0.5	0.4	0.7	0.7	0.4	0.5	0.4	0.8		
15	DS0015R		Rear inner boot / One side	0.8	0.8	0.8	0.8	0.8	0.8	0.9	0.8	1.0		
	DS00155		Rear inner boot / Opposite side	0.6	0.6	0.6	0.6	0.6	0.6	0.7	0.6	0.6		
17	DS0017R		Rear outer boot / One side	0.9	0.9	0.9	0.9	0.9	0.9	0.9	0.9	1.1		
	DS00175		Rear outer boot / Opposite side	0.7	0.7	0.7	0.7	0.7	0.7	0.7	0.7	0.7		
18	DS0018R		FTJ boot / One side	-	-	-	-	-	-	-	-	1.0		
	DS00185		FTJ boot / Opposite side	-	-	-	-	-	-	-	-	0.8		
20	DS0020R		Front housing	1.5	1.1	1.1	1.5	1.5	1.1	1.4	1.1	-		
	DS0999Z		Other	**	**	**	**	**	**	**	**	**		

ABS

ABS



ABS



ABS

No.	Work No.	Vehicle Information	Work Description	TIME (HOURS)									
				Justy			TRE ZIA	IMPREZA				LEGACY	
				1	2	3		1	2	3	4	1	2
1	ABS001R		ABS CM & HU / include air bleeding	1.5	1.0	1.5	1.4	0.9	0.9	1.1	1.1	0.9	0.9
2	ABS002R		Front ABS sensor / One side	0.5	0.5	0.5	0.6	0.2	0.2	0.2	0.2	0.2	0.2
	ABS0025		Front ABS sensor / Opposite side	0.3	0.1	0.2	0.3	0.2	0.2	0.2	0.2	0.2	0.2
3	ABS003R		Rear ABS sensor / One side	0.6	0.6	0.6	-	0.3	0.3	0.3	0.3	0.3	0.3
	ABS0035		Rear ABS sensor / Opposite side	0.3	0.2	0.2	-	0.2	0.2	0.2	0.2	0.2	0.2
4	ABS004R		G sensor Assy	-	0.3	-	-	0.2	0.2	0.2	-	0.2	0.2
	ABS999Z		Other	**	**	**	**	**	**	**	**	**	**

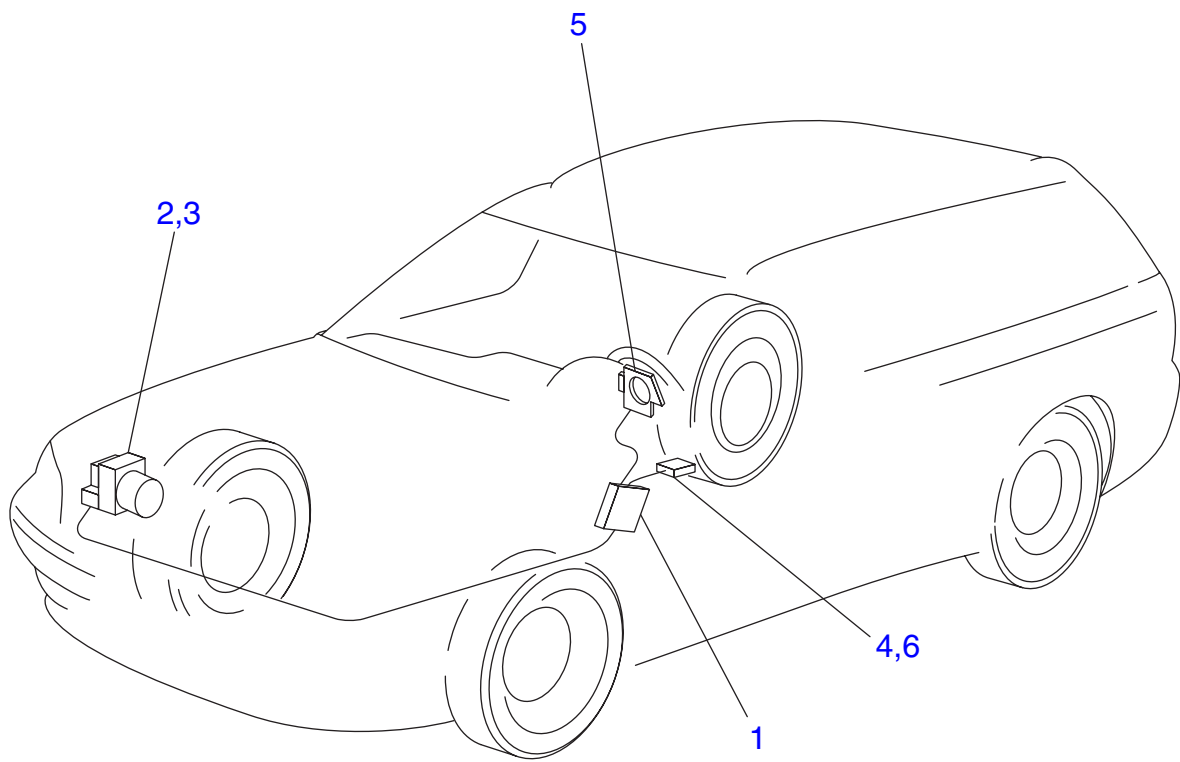
ABS

No.	Work No.	Vehicle Information	Work Description	TIME (HOURS)								
				LEGACY			FORESTER			TRIB ECA	EXI GA	SVX
				3	4	5	1	2	3			
1	ABS001R		ABS CM & HU / include air bleeding	0.9	1.1	1.1	0.9	0.9	1.1	-	1.1	0.9
2	ABS002R		Front ABS sensor / One side	0.2	0.2	0.2	0.2	0.2	0.2	0.3	0.2	0.2
	ABS0025		Front ABS sensor / Opposite side	0.2	0.2	0.2	0.2	0.2	0.2	0.2	0.2	0.2
3	ABS003R		Rear ABS sensor / One side	0.3	0.3	0.3	0.3	0.3	0.3	0.3	0.3	0.3
	ABS0035		Rear ABS sensor / Opposite side	0.2	0.2	0.2	0.2	0.2	0.2	0.2	0.2	0.2
4	ABS004R		G sensor Assy	0.2	0.2	0.2	0.2	0.2	0.2	0.2	0.2	-
	ABS999Z		Other	**	**	**	**	**	**	**	**	**

VDC

**VEHICLE DYNAMICS CONTROL
(VDC)**





VDC

No.	Work No.	Vehicle Information	Work Description	TIME (HOURS)										
				Justy			TRE ZIA	IMPREZA				LEGACY		
				1	2	3		1	2	3	4	1	2	
1	VDC001R		VDC CM	-	-	-	-	-	-	-	-	-	-	-
2	VDC002R		VDC HU Assy	-	-	-	-	-	-	-	-	-	-	-
3	VDC003R		VDC HU Relay	-	-	-	-	-	-	0.1	-	-	-	-
4	VDC004R		VDC yaw rate sensor and lateral G sensor	-	-	-	-	-	-	0.2	-	-	-	-
5	VDC005R		Steering angle sensor	-	-	-	-	-	0.5	0.5	0.2	-	-	-
6	VDC006R		VDC Lateral G sensor	-	-	-	-	-	-	0.2	-	-	-	-
	VDC999Z		Other	**	**	**	**	**	**	**	**	**	**	**

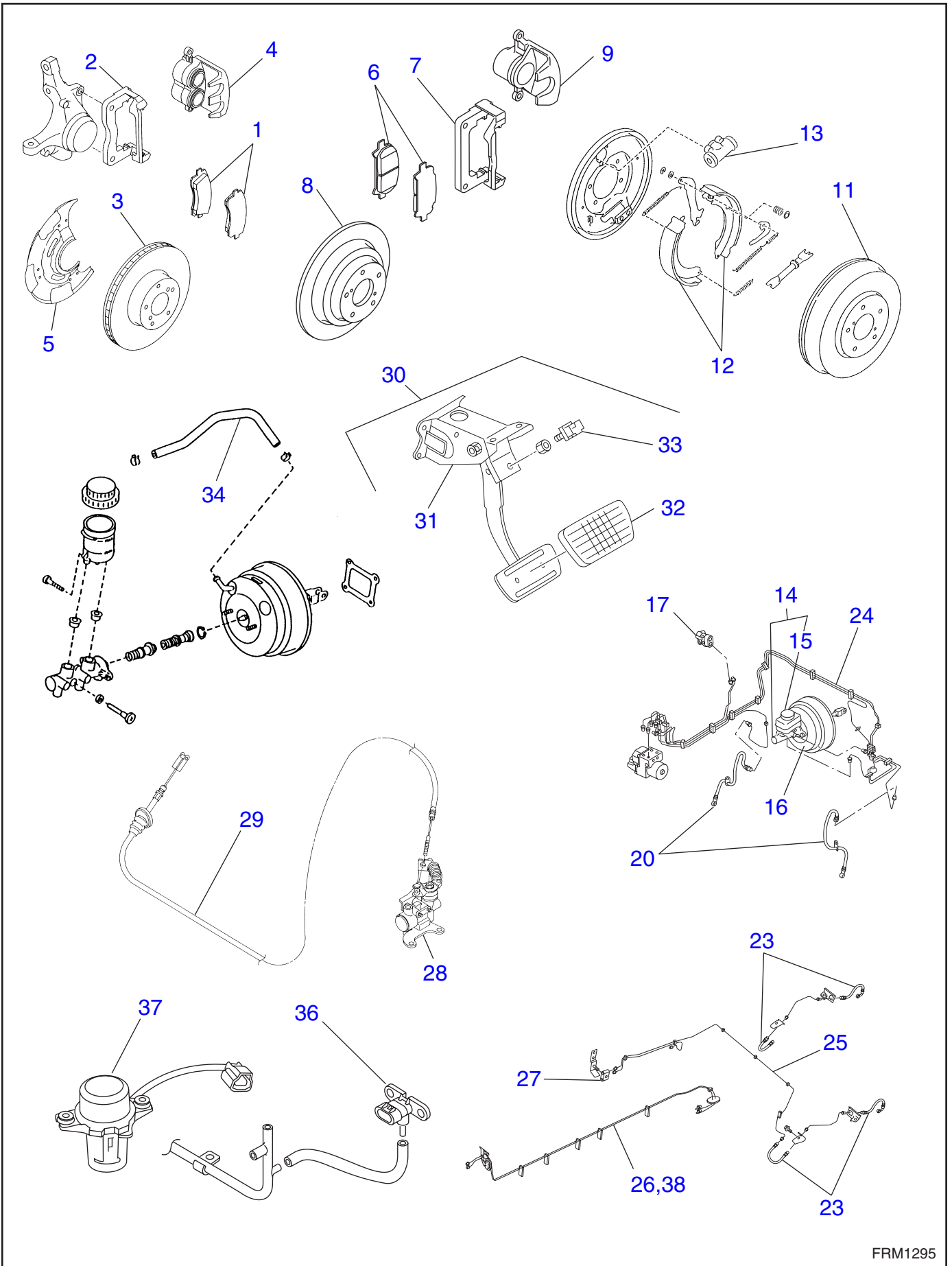
VDC

No.	Work No.	Vehicle Information	Work Description	TIME (HOURS)								
				LEGACY			FORESTER			TRIB ECA	EXI GA	SVX
				3	4	5	1	2	3			
1	VDC001R		VDC CM	0.4	0.4	-	-	0.4	-	-	-	-
2	VDC002R		VDC HU Assy	0.7	0.8	-	-	0.7	-	0.9	-	-
3	VDC003R		VDC HU Relay	0.1	0.1	0.1	-	0.1	0.1	0.1	0.1	-
4	VDC004R		VDC yaw rate sensor and lateral G sensor	0.4	0.4	0.2	-	0.4	0.2	0.4	0.2	-
5	VDC005R		Steering angle sensor	0.5	0.5	0.5	-	0.5	0.5	0.5	0.5	-
6	VDC006R		VDC Lateral G sensor	0.2	0.2	-	-	-	0.2	-	0.2	-
	VDC999Z		Other	**	**	**	**	**	**	**	**	**

BR

BRAKE





BR

No.	Work No.	Vehicle Information	Work Description	TIME (HOURS)									
				Justy			TRE ZIA	IMPREZA				LEGACY	
				1	2	3		1	2	3	4	1	2
1	BR0001R		Front disc brake pad / One side	0.5	0.5	0.4	0.5	0.3	0.3	0.3	0.3	0.3	0.3
	BR00015		Front disc brake pad / Opposite side	0.4	0.3	0.3	0.1	0.2	0.2	0.2	0.2	0.2	0.2
2	BR0002R		Front disc brake support / One side	-	-	-	-	0.4	0.4	0.4	0.4	0.4	0.4
	BR00025		Front disc brake support / Opposite side	-	-	-	-	0.3	0.3	0.3	0.3	0.3	0.3
3	BR0003A		Front disc rotor refacing / One side	-	-	-	1.2	0.5	0.5	0.5	0.5	0.5	0.5
	BR00031		Front disc rotor refacing / Opposite side	-	-	-	1.0	0.4	0.4	0.4	0.4	0.4	0.4
	BR0003R		Front disc rotor / One side	0.9	0.8	0.7	0.6	0.4	0.4	0.4	0.4	0.4	0.4
	BR00035		Front disc rotor / Opposite side	0.7	0.6	0.6	0.2	0.3	0.3	0.3	0.3	0.3	0.3
4	BR0004D		Front caliper body Assy / One side	1.1	0.7	0.9	1.1	0.4	0.4	0.4	0.4	0.4	0.4
	BR00042		Front caliper body Assy / Opposite side	0.5	0.2	0.5	0.2	0.3	0.3	0.3	0.3	0.3	0.3
5	BR0005R		Disc cover / One side	1.0	0.9	1.1	-	1.0	1.0	1.0	1.0	1.0	1.0
	BR00055		Disc cover / Opposite side	1.0	0.9	0.4	-	0.9	0.9	0.9	0.9	0.9	0.9
6	BR0006R		Rear disc brake pad / One side	-	-	-	0.8	0.4	0.4	0.4	0.4	0.4	0.4
	BR00065		Rear disc brake pad / Opposite side	-	-	-	0.2	0.3	0.3	0.3	0.3	0.3	0.3
7	BR0007R		Rear disc brake support / One side	-	-	-	-	0.4	0.4	0.4	0.4	0.4	0.4
	BR00075		Rear disc brake support / Opposite side	-	-	-	-	0.3	0.3	0.3	0.3	0.3	0.3
8	BR0008A		Rear brake rotor refacing / One side	-	-	-	1.7	0.4	0.4	0.4	0.4	0.4	0.4
	BR00081		Rear brake rotor refacing / Opposite side	-	-	-	1.0	0.4	0.4	0.4	0.4	0.4	0.4
	BR0008R		Rear disc rotor / One side	-	-	-	1.0	0.3	0.3	0.3	0.3	0.3	0.3
	BR00085		Rear brake rotor / Opposite side	-	-	-	0.2	0.3	0.3	0.3	0.3	0.3	0.3
9	BR0009D		Rear caliper body Assy / One side	-	-	-	1.6	0.6	0.6	0.6	0.6	0.6	0.6
	BR00092		Rear caliper body Assy / Opposite side	-	-	-	0.2	0.4	0.4	0.4	0.4	0.4	0.4
	BR0009R		Rear brake disc Assy / One side	-	-	-	1.5	0.4	0.4	0.4	0.4	0.4	0.4
	BR00095		Rear brake disc Assy / Opposite side	-	-	-	0.1	0.3	0.3	0.3	0.3	0.3	0.3
11	BR0011R		Brake drum / One side	0.8	0.6	0.6	0.9	0.2	0.2	0.2	-	0.2	0.2
	BR00115		Brake drum / Opposite side	0.2	0.2	0.2	0.1	0.1	0.1	0.1	-	0.1	0.1
12	BR0012R		Brake shoe / One side	1.1	1.2	0.9	1.1	0.3	0.3	0.3	-	0.3	0.3
	BR00125		Brake shoe / Opposite side	1.1	1.2	0.5	0.2	0.2	0.2	0.2	-	0.2	0.2
13	BR0013D		Wheel cylinder Assy OH / include air bleeding / One side	1.3	1.1	1.5	-	0.6	0.6	0.6	0.6	0.6	0.6
	BR00132		Wheel cylinder Assy OH / include air bleeding / Opposite side	0.5	0.5	0.4	-	0.4	0.4	0.4	0.4	0.4	0.4
	BR0013R		Wheel cylinder Assy / include air bleeding / One side	1.2	1.0	1.4	1.6	0.5	0.5	0.5	0.5	0.5	0.5
	BR00135		Wheel cylinder Assy / include air bleeding / Opposite side	0.4	0.4	0.4	0.2	0.4	0.4	0.4	0.4	0.4	0.4

BR

No.	Work No.	Vehicle Information	Work Description	TIME (HOURS)								
				LEGACY			FORESTER			TRIB ECA	EXI GA	SVX
				3	4	5	1	2	3			
1	BR0001R		Front disc brake pad / One side	0.3	0.3	0.3	0.3	0.3	0.3	0.3	0.3	0.3
	BR00015		Front disc brake pad / Opposite side	0.2	0.2	0.2	0.2	0.2	0.2	0.2	0.2	0.2
2	BR0002R		Front disc brake support / One side	0.4	0.4	0.6	0.4	0.4	0.4	0.6	0.4	0.4
	BR00025		Front disc brake support / Opposite side	0.3	0.3	0.3	0.3	0.3	0.3	0.3	0.3	0.3
3	BR0003A		Front disc rotor refacing / One side	0.5	0.5	0.5	0.5	0.5	0.5	0.5	0.5	0.5
	BR00031		Front disc rotor refacing / Opposite side	0.4	0.4	0.4	0.4	0.4	0.4	0.4	0.4	0.4
	BR0003R		Front disc rotor / One side	0.4	0.4	0.4	0.4	0.4	0.4	0.4	0.4	0.4
	BR00035		Front disc rotor / Opposite side	0.3	0.3	0.3	0.3	0.3	0.3	0.3	0.3	0.3
4	BR0004D		Front caliper body Assy / One side	0.4	0.4	0.4	0.4	0.4	0.4	0.4	0.4	0.6
	BR00042		Front caliper body Assy / Opposite side	0.3	0.3	0.3	0.3	0.3	0.3	0.3	0.3	0.5
5	BR0005R		Disc cover / One side	1.0	1.0	1.0	1.0	1.0	1.0	1.0	1.0	1.0
	BR00055		Disc cover / Opposite side	0.9	0.9	0.9	0.9	0.9	0.9	0.9	0.9	0.9
6	BR0006R		Rear disc brake pad / One side	0.4	0.4	0.4	0.4	0.4	0.4	0.4	0.4	0.4
	BR00065		Rear disc brake pad / Opposite side	0.3	0.3	0.3	0.3	0.3	0.3	0.3	0.3	0.3
7	BR0007R		Rear disc brake support / One side	0.4	0.4	0.4	0.4	0.4	0.4	0.4	0.4	0.4
	BR00075		Rear disc brake support / Opposite side	0.3	0.3	0.3	0.3	0.3	0.3	0.3	0.3	0.3
8	BR0008A		Rear brake rotor refacing / One side	0.4	0.4	0.4	0.4	0.4	0.4	0.4	0.4	0.4
	BR00081		Rear brake rotor refacing / Opposite side	0.4	0.4	0.4	0.4	0.4	0.4	0.4	0.4	0.4
	BR0008R		Rear disc rotor / One side	0.3	0.3	0.3	0.3	0.3	0.3	0.3	0.3	0.4
	BR00085		Rear brake rotor / Opposite side	0.3	0.3	0.3	0.3	0.3	0.3	0.3	0.3	0.3
9	BR0009D		Rear caliper body Assy / One side	0.6	0.6	0.6	0.6	0.6	0.6	0.6	0.6	0.6
	BR00092		Rear caliper body Assy / Opposite side	0.4	0.4	0.4	0.4	0.4	0.4	0.4	0.4	0.4
	BR0009R		Rear brake disc Assy / One side	0.4	0.4	0.4	0.4	0.4	0.4	0.4	0.4	0.5
	BR00095		Rear brake disc Assy / Opposite side	0.3	0.3	0.3	0.3	0.3	0.3	0.3	0.3	0.4
11	BR0011R		Brake drum / One side	0.2	-	-	0.2	0.2	0.2	-	0.2	-
	BR00115		Brake drum / Opposite side	0.1	-	-	0.1	0.1	0.1	-	0.1	-
12	BR0012R		Brake shoe / One side	0.3	-	-	0.3	0.3	0.3	-	0.3	0.3
	BR00125		Brake shoe / Opposite side	0.2	-	-	0.2	0.2	0.2	-	0.2	0.2
13	BR0013D		Wheel cylinder Assy OH / include air bleeding / One side	0.6	0.6	0.6	0.6	0.6	0.6	0.6	0.6	0.6
	BR00132		Wheel cylinder Assy OH / include air bleeding / Opposite side	0.4	0.4	0.4	0.4	0.4	0.4	0.4	0.4	0.4
	BR0013R		Wheel cylinder Assy / include air bleeding / One side	0.5	0.5	0.5	0.5	0.5	0.5	0.5	0.5	0.5
	BR00135		Wheel cylinder Assy / include air bleeding / Opposite side	0.4	0.4	0.4	0.4	0.4	0.4	0.4	0.4	0.4

No.	Work No.	Vehicle Information	Work Description	TIME (HOURS)									
				Justy			TRE ZIA	IMPREZA				LEGACY	
				1	2	3		1	2	3	4	1	2
14	BR0014R	Except MT	Master cylinder Assy / include air bleeding	0.9	0.9	1.6	1.3	0.8	0.8	0.8	0.8	0.8	0.8
	BR0014R	MT	Master cylinder Assy / include air bleeding	0.9	0.9	1.6	1.3	0.8	0.8	0.8	1.0	0.8	0.8
	BR0014R	DO TC (Include MT)	Master cylinder Assy / include air bleeding	-	-	-	-	1.0	1.0	1.0	-	1.0	-
	BR0014D	Except MT	Master cylinder Assy OH / include air bleeding	0.7	1.1	1.8	-	1.2	1.2	1.2	1.2	1.2	1.2
	BR0014D	MT	Master cylinder Assy OH / include air bleeding	0.7	1.1	1.8	-	1.2	1.2	1.2	1.4	1.2	1.2
	BR0014D	DO TC (Include MT)	Master cylinder Assy OH / include air bleeding	-	-	-	-	1.3	1.3	1.3	-	1.3	-
15	BR0015R		Master cylinder reservoir tank Assy / include air bleeding	0.7	0.9	0.4	1.3	0.7	0.7	0.7	0.7	0.7	0.7
	BR0015R	DO TC	Master cylinder reservoir tank Assy / include air bleeding	-	-	-	-	0.8	0.8	0.8	-	0.8	-
16	BR0016R	Except MT	Brake booster Assy / include air bleeding	1.0	1.2	2.0	2.2	1.3	1.3	1.2	1.2	1.3	1.3
	BR0016R	MT	Brake booster Assy / include air bleeding	1.0	1.2	2.0	2.2	1.3	1.3	1.2	1.4	1.3	1.3
	BR0016R	DO TC (Include MT)	Brake booster Assy / include air bleeding	-	-	-	-	1.4	1.4	1.4	-	1.4	-
	BR0016R	DE LHD	Brake booster Assy / include air bleeding	-	-	-	2.2	-	-	1.2	2.8	-	-
	BR0016R	DE RHD	Brake booster Assy / include air bleeding	-	-	-	2.2	-	-	1.2	1.4	-	-
17	BR0017R		Proportioning valve / include air bleeding	1.3	0.9	1.6	-	0.4	0.4	-	-	0.4	0.4
18*	BR0018R		Brake fluid replacement	0.4	0.4	-	0.8	0.4	0.4	0.4	0.4	0.4	0.4
19*	BR0019R		Brake system air bleeding	0.2	0.2	-	-	0.2	0.2	0.2	0.2	0.2	0.2
20	BR0020R		Front brake hose / include air bleeding / One side	0.8	0.8	0.7	1.0	0.3	0.3	0.3	0.3	0.3	0.3
	BR00205		Front brake hose / include air bleeding / Opposite side	0.5	0.5	0.7	1.0	0.2	0.2	0.2	0.2	0.2	0.2
23	BR0023R		Rear brake hose / include air bleeding / One side	0.8	0.8	-	1.0	0.3	0.3	0.3	0.3	0.3	0.3
	BR00235		Rear brake hose / include air bleeding / Opposite side	0.5	0.5	-	1.0	0.2	0.2	0.2	0.2	0.2	0.2
24	BR0024R		Front brake pipe Assy / include air bleeding	2.0	-	-	-	1.7	1.7	1.0	2.2	1.7	1.7
25	BR0025R		Rear brake pipe Assy (RH) / include air bleeding	2.0	-	-	-	1.2	1.2	0.7	1.6	1.2	1.2
26	BR0026R		Center brake pipe Assy / include air bleeding	2.0	1.0	-	-	1.5	1.5	-	-	1.5	1.5
27	BR0027R		Connector	-	-	-	-	0.3	0.2	0.2	0.2	0.3	0.2
28	BR0028R		Hill holder pressure hold valve	-	-	-	-	0.5	0.5	-	-	0.4	0.5
29	BR0029R		Hill holder pressure hold valve cable	-	-	-	-	0.3	0.3	-	-	0.3	0.3
30	BR0030R		Brake pedal Assy	0.3	0.8	0.7	0.9	0.3	0.3	0.3	0.3	0.2	0.3

BR

No.	Work No.	Vehicle Information	Work Description	TIME (HOURS)								
				LEGACY			FORESTER			TRIB ECA	EXI GA	SVX
				3	4	5	1	2	3			
14	BR0014R	Except MT	Master cylinder Assy / include air bleeding	0.8	0.8	0.8	0.8	0.8	0.8	0.8	0.8	0.8
	BR0014R	MT	Master cylinder Assy / include air bleeding	0.8	0.8	0.8	0.8	0.8	0.8	-	-	-
	BR0014R	DO TC (Include MT)	Master cylinder Assy / include air bleeding	-	1.0	-	1.0	1.0	1.0	-	-	-
	BR0014D	Except MT	Master cylinder Assy OH / include air bleeding	1.2	1.2	1.2	1.2	1.2	1.2	1.2	1.2	1.2
	BR0014D	MT	Master cylinder Assy OH / include air bleeding	1.2	1.2	1.2	1.2	1.2	1.2	-	-	-
	BR0014D	DO TC (Include MT)	Master cylinder Assy OH / include air bleeding	-	1.3	-	1.3	1.3	1.3	-	-	-
15	BR0015R		Master cylinder reservoir tank Assy / include air bleeding	0.7	0.7	0.7	0.7	0.7	0.7	0.7	0.7	0.7
	BR0015R	DO TC	Master cylinder reservoir tank Assy / include air bleeding	-	0.8	-	0.8	0.8	0.8	-	-	-
16	BR0016R	Except MT	Brake booster Assy / include air bleeding	1.3	1.2	1.3	1.3	1.3	1.2	1.3	1.2	1.4
	BR0016R	MT	Brake booster Assy / include air bleeding	1.3	1.2	1.3	1.3	1.3	1.2	-	-	-
	BR0016R	DO TC (Include MT)	Brake booster Assy / include air bleeding	-	1.4	-	1.4	1.4	1.4	-	-	-
	BR0016R	DE LHD	Brake booster Assy / include air bleeding	-	1.2	1.3	-	-	1.2	-	-	-
	BR0016R	DE RHD	Brake booster Assy / include air bleeding	-	1.2	1.3	-	-	1.2	-	-	-
17	BR0017R		Proportioning valve / include air bleeding	0.4	-	-	0.4	0.4	-	-	-	0.5
18*	BR0018R		Brake fluid replacement	0.4	0.4	0.4	0.4	0.4	0.4	0.4	0.4	0.4
19*	BR0019R		Brake system air bleeding	0.2	0.2	0.2	0.2	0.2	0.2	0.2	0.2	0.2
20	BR0020R		Front brake hose / include air bleeding / One side	0.3	0.3	0.3	0.3	0.3	0.3	0.3	0.3	0.3
	BR00205		Front brake hose / include air bleeding / Opposite side	0.2	0.2	0.2	0.2	0.2	0.2	0.2	0.2	0.2
23	BR0023R		Rear brake hose / include air bleeding / One side	0.3	0.3	0.3	0.3	0.3	0.3	0.3	0.3	0.3
	BR00235		Rear brake hose / include air bleeding / Opposite side	0.2	0.2	0.2	0.2	0.2	0.2	0.2	0.2	0.2
24	BR0024R		Front brake pipe Assy / include air bleeding	1.7	1.7	1.7	1.7	1.7	1.0	1.7	1.0	0.8
25	BR0025R		Rear brake pipe Assy (RH) / include air bleeding	1.2	1.2	1.2	1.2	1.2	0.7	1.2	0.7	3.3
26	BR0026R		Center brake pipe Assy / include air bleeding	1.5	1.5	1.5	1.5	1.5	-	1.5	-	1.5
27	BR0027R		Connector	0.2	0.2	0.2	0.3	0.2	0.2	0.2	0.2	0.3
28	BR0028R		Hill holder pressure hold valve	0.5	-	-	0.4	0.5	-	-	-	-
29	BR0029R		Hill holder pressure hold valve cable	0.3	-	-	0.3	0.3	-	-	-	-
30	BR0030R		Brake pedal Assy	0.3	0.3	0.6	0.2	0.3	0.3	0.6	0.3	-

BR

No.	Work No.	Vehicle Information	Work Description	TIME (HOURS)										
				Justy			TRE ZIA	IMPREZA				LEGACY		
				1	2	3		1	2	3	4	1	2	
31	BR0031R		Brake pedal bracket	-	-	-	-	0.3	0.4	0.4	0.4	0.4	0.4	0.4
32	BR0032R		Brake pedal pad	-	-	-	-	0.1	0.1	0.1	0.1	0.1	0.1	0.1
33	BR0033R		Stop light switch	0.3	0.3	0.4	0.4	0.2	0.2	0.1	0.1	0.2	0.2	0.2
34	BR0034R		Vacuum hose (booster)	0.1	0.3	0.4	0.6	0.1	0.1	0.3	0.3	0.1	0.1	0.1
36	BR0036R		Brake vacuum sensor	-	-	-	0.6	-	-	-	-	-	-	-
37	BR0037R		Brake vacuum pump	-	-	-	0.4	-	-	-	-	-	-	-
38	BR0038R		Rear brake pipe Assy LH / include air bleeding	2.0	-	-	-	1.2	1.2	2.5	2.0	1.2	1.2	1.2
	BR0999Z		Other	**	**	**	**	**	**	**	**	**	**	**

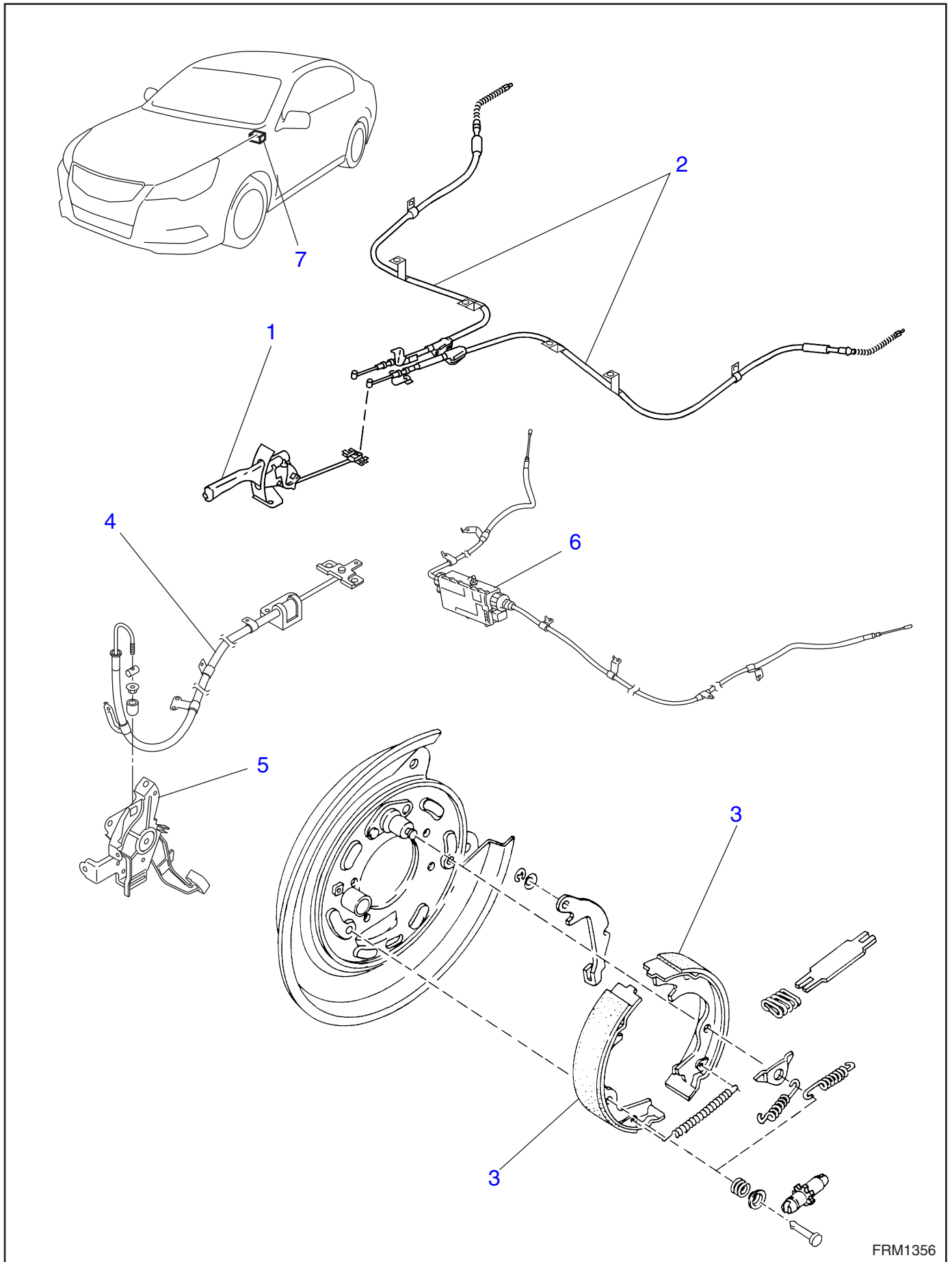
BR

No.	Work No.	Vehicle Information	Work Description	TIME (HOURS)								
				LEGACY			FORESTER			TRIB ECA	EXI GA	SVX
				3	4	5	1	2	3			
31	BR0031R		Brake pedal bracket	0.4	0.4	-	0.4	0.4	0.4	-	0.4	-
32	BR0032R		Brake pedal pad	0.1	0.1	0.1	0.1	0.1	0.1	0.1	0.1	0.2
33	BR0033R		Stop light switch	0.2	0.2	0.2	0.2	0.2	0.1	0.2	0.1	0.3
34	BR0034R		Vacuum hose (booster)	0.1	0.4	0.1	0.1	0.1	0.3	0.1	0.3	0.1
36	BR0036R		Brake vacuum sensor	-	-	0.3	-	-	-	0.3	-	-
37	BR0037R		Brake vacuum pump	-	-	0.3	-	-	-	0.3	-	-
38	BR0038R		Rear brake pipe Assy LH / include air bleeding	1.2	1.2	1.2	1.2	1.2	2.5	1.2	2.5	3.3
	BR0999Z		Other	**	**	**	**	**	**	**	**	**

PB

PARKING BRAKE





FRM1356

PB

No.	Work No.	Vehicle Information	Work Description	TIME (HOURS)									
				Justy			TRE ZIA	IMPREZA				LEGACY	
				1	2	3		1	2	3	4	1	2
1	PB0001A		Parking brake lever Assy	0.3	-	-	0.5	0.3	0.3	0.3	0.3	0.3	0.3
	PB0001R		Parking brake lever Assy	0.4	0.4	0.7	0.8	0.4	0.4	0.4	0.5	0.3	0.4
2	PB0002R		Parking brake cable Assy / One side	0.9	0.7	1.0	1.0	1.2	1.2	0.8	0.8	1.2	1.2
	PB00025		Parking brake cable Assy / Opposite side	0.4	0.3	0.5	0.4	0.4	0.4	0.4	0.4	0.4	0.4
3	PB0003R		Parking brake shoe / One side	-	-	-	-	0.4	0.4	0.4	0.4	0.4	0.4
	PB00035		Parking brake shoe / Opposite side	-	-	-	-	0.3	0.3	0.3	0.3	0.3	0.3
4	PB0004R		Front parking brake cable	-	-	-	-	-	-	-	-	-	-
5	PB0005R		Parking brake pedal	-	-	-	-	-	-	-	-	-	-
6	PB0006R		Electric parking brake actuator	-	-	-	-	-	-	-	-	-	-
	PB0006Z		Parking brake manual release	-	-	-	-	-	-	-	-	-	-
7	PB0007R		Parking brake switch	-	-	-	0.6	-	-	-	-	-	-
	PB0999Z		Other	**	**	**	**	**	**	**	**	**	**

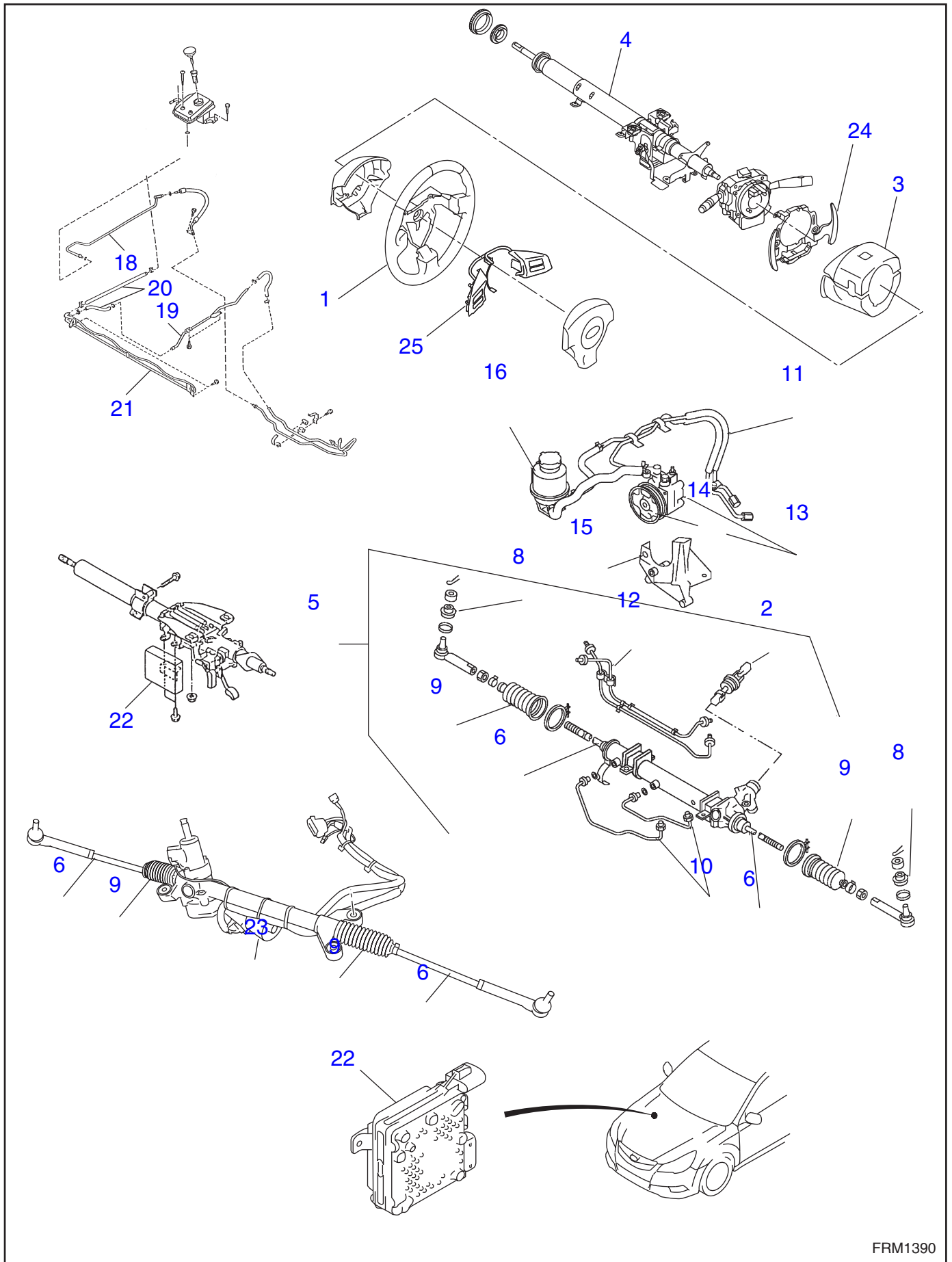
PB

No.	Work No.	Vehicle Information	Work Description	TIME (HOURS)								
				LEGACY			FORESTER			TRIB ECA	EXI GA	SVX
				3	4	5	1	2	3			
1	PB0001A		Parking brake lever Assy	0.3	0.3	0.3	0.3	0.3	0.3	-	-	0.3
	PB0001R		Parking brake lever Assy	0.4	0.5	-	0.3	0.4	0.4	-	-	0.3
2	PB0002R		Parking brake cable Assy / One side	1.2	1.2	-	1.2	1.2	0.8	1.2	0.8	1.2
	PB00025		Parking brake cable Assy / Opposite side	0.4	0.4	-	0.4	0.4	0.4	0.4	0.4	0.4
3	PB0003R		Parking brake shoe / One side	0.4	0.4	-	0.4	0.4	0.4	0.4	0.4	0.4
	PB00035		Parking brake shoe / Opposite side	0.3	0.3	-	0.3	0.3	0.3	0.3	0.3	0.3
4	PB0004R		Front parking brake cable	-	-	-	-	-	-	0.5	1.1	-
5	PB0005R		Parking brake pedal	-	-	-	-	-	-	0.9	0.7	-
6	PB0006R		Electric parking brake actuator	-	-	1.3	-	-	-	-	-	-
	PB0006Z		Parking brake manual release	-	-	0.6	-	-	-	-	-	-
7	PB0007R		Parking brake switch	-	-	0.3	-	-	-	-	-	-
	PB0999Z		Other	**	**	**	**	**	**	**	**	**

PS

**POWER ASSISTED SYSTEM
(POWER STEERING)**





PS

No.	Work No.	Vehicle Information	Work Description	TIME (HOURS)									
				Justy			TRE ZIA	IMPREZA				LEGACY	
				1	2	3		1	2	3	4	1	2
1	PS0001R		Steering wheel	0.2	-	0.4	-	0.2	-	-	-	0.2	0.2
	PS0001R	A/B	Steering wheel	0.4	0.4	-	0.6	0.4	0.4	0.4	0.4	0.4	0.4
2	PS0002R		Universal joint	0.8	-	-	-	0.2	0.2	0.2	0.2	0.2	0.2
3	PS0003R		Steering column cover	0.3	0.2	0.4	0.2	0.2	0.2	0.2	0.2	0.2	0.5
4	PS0004R		Steering column Assy	0.8	1.0	1.4	1.5	0.8	0.8	0.8	0.8	0.8	0.8
5	PS0005D		Steering gear box Assy OH	-	1.5	2.8	-	3.5	3.5	3.5	3.5	3.5	3.5
	PS0005R		Steering gear box Assy	3.3	1.2	1.9	-	1.7	1.7	1.7	1.7	1.7	1.7
6	PS0006R		Tie-rod / One side	3.1	0.8	0.6	0.9	0.8	0.8	0.8	0.8	0.8	0.8
	PS00065		Tie-rod / Opposite side	0.2	0.4	0.1	0.2	0.4	0.4	0.4	0.4	0.4	0.4
8	PS0008R		Tie-rod end dust boot	0.8	0.8	0.8	-	0.6	0.6	0.5	0.5	0.6	0.6
9	PS0009R		Gear box boot / One side	2.7	0.9	-	2.3	0.7	0.7	0.7	0.7	0.7	0.7
	PS00095		Gear box boot / Opposite side	-	-	-	-	0.2	0.2	0.4	0.4	0.2	0.2
10	PS0010R		Pipe A and / or B	0.6	-	-	-	1.7	1.7	0.6	0.6	1.7	1.7
11	PS0011R		Pipe C and / or D	-	-	-	-	0.5	0.5	0.7	0.7	0.5	0.5
12	PS0012R		Pipe E	-	-	-	-	1.7	1.7	0.8	0.8	1.7	1.7
13	PS0013D		P/S pump Assy OH	1.1	-	-	-	1.0	1.0	-	-	1.0	1.0
	PS0013R		P/S pump Assy	1.4	-	-	-	0.6	0.6	0.6	0.6	0.6	0.6
14	PS0014R		Drive pulley	1.1	-	-	-	0.3	0.3	-	-	0.3	0.3
15	PS0015R		Pump mount bracket	-	-	-	-	0.3	0.3	0.5	0.5	0.3	0.3
16	PS0016R		Power steering reservoir tank	-	-	-	-	0.3	0.3	0.3	0.3	0.3	0.3
18	PS0018R		Pressure pipe	-	-	-	-	-	-	-	-	-	-
19	PS0019R		Return pipe	-	-	-	-	-	-	-	-	-	-
20	PS0020R		Hose A and / or B	-	-	-	-	-	-	-	-	-	-
21	PS0021R		Cooler pipe Assy	-	-	-	-	-	-	-	-	-	-
22	PS0022R		Steering CM	-	0.4	-	0.9	-	-	-	-	-	-
	PS0022R	DE	Steering CM	-	-	-	0.9	-	-	0.5	0.5	-	-
23	PS0023R		Electric power steering Assy	-	-	-	2.2	-	-	-	-	-	-
	PS0023R	DE	Electric power steering Assy	-	-	-	2.2	-	-	1.5	1.5	-	-
24	PS0024R		Paddle shift switch	-	-	-	-	-	-	0.5	0.4	-	-
25	PS0025R		Steering wheel switch	-	-	-	-	-	0.5	0.5	0.5	-	-
	PS0999Z		Other	**	**	**	**	**	**	**	**	**	**

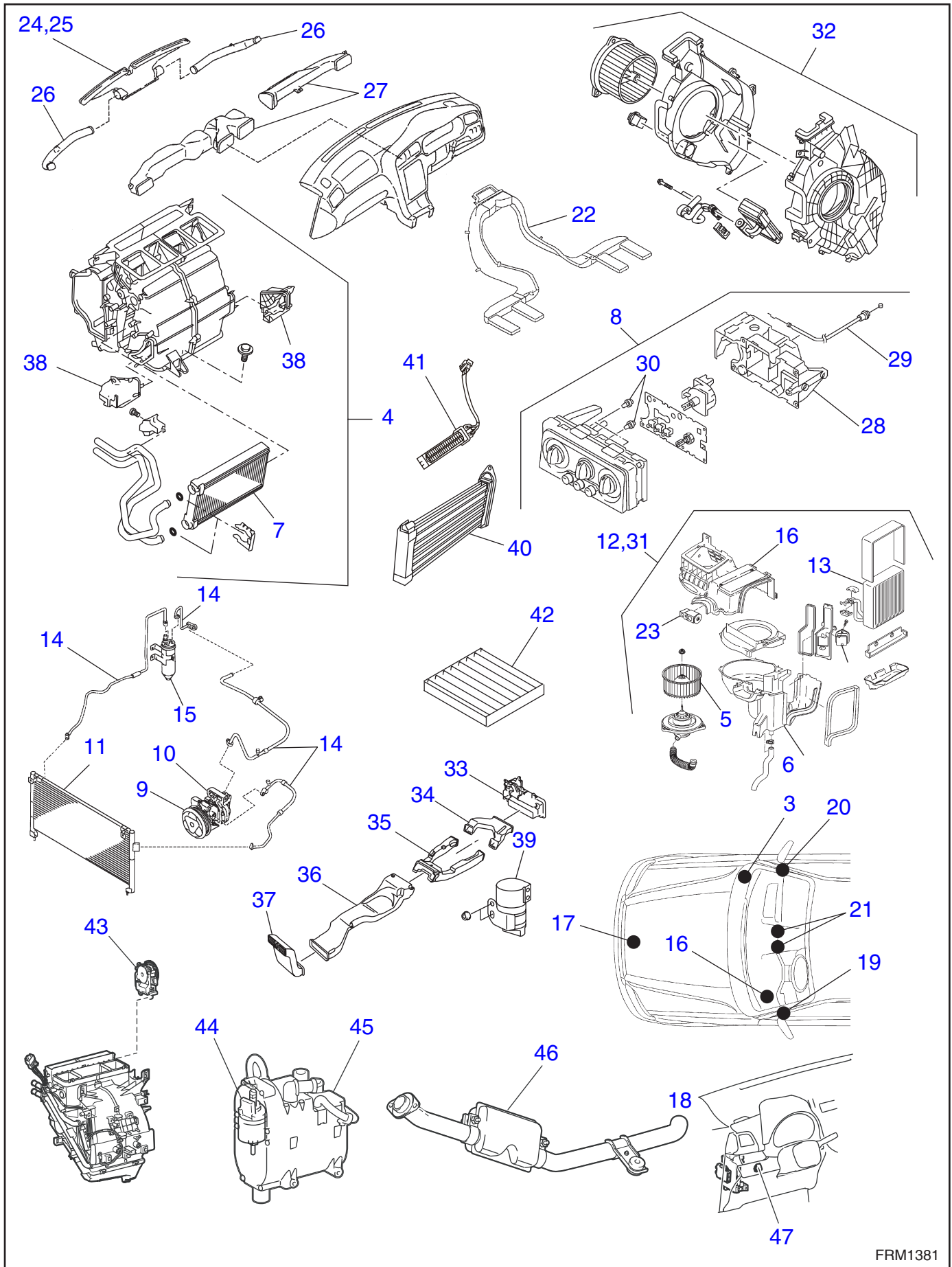
PS

No.	Work No.	Vehicle Information	Work Description	TIME (HOURS)									
				LEGACY			FORESTER			TRIB ECA	EXI GA	SVX	
				3	4	5	1	2	3				
1	PS0001R		Steering wheel	-	-	-	-	-	-	-	-	-	0.2
	PS0001R	A/B	Steering wheel	0.4	0.4	0.4	0.4	0.4	0.4	0.4	0.4	0.4	0.4
2	PS0002R		Universal joint	0.2	0.2	0.2	0.2	0.2	0.2	-	0.2	0.2	0.2
3	PS0003R		Steering column cover	0.2	0.2	0.2	0.2	0.2	0.2	0.3	0.2	0.5	0.5
4	PS0004R		Steering column Assy	0.8	0.8	0.8	0.8	0.8	0.8	1.0	0.8	1.0	1.0
5	PS0005D		Steering gear box Assy OH	3.5	3.5	5.4	3.5	3.5	3.5	3.5	-	3.1	3.1
	PS0005R		Steering gear box Assy	1.7	1.7	3.6	1.7	1.7	1.7	1.7	-	2.0	2.0
6	PS0006R		Tie-rod / One side	0.8	0.8	3.8	0.8	0.8	0.8	0.8	0.8	1.0	1.0
	PS00065		Tie-rod / Opposite side	0.4	0.4	0.3	0.4	0.4	0.4	0.4	0.4	0.4	0.4
8	PS0008R		Tie-rod end dust boot	0.6	0.6	0.5	0.6	0.6	0.5	0.6	0.5	0.6	0.6
9	PS0009R		Gear box boot / One side	0.7	0.7	3.8	0.7	0.7	0.7	0.7	0.7	0.7	0.7
	PS00095		Gear box boot / Opposite side	0.2	0.2	0.2	0.2	0.2	0.4	0.2	0.4	0.6	0.6
10	PS0010R		Pipe A and / or B	1.7	1.7	3.7	1.7	1.7	0.6	1.7	-	1.7	1.7
11	PS0011R		Pipe C and / or D	0.5	0.6	0.6	0.5	0.5	0.7	0.5	-	0.7	0.7
12	PS0012R		Pipe E	1.7	1.7	3.7	1.7	1.7	0.8	1.7	-	1.7	1.7
13	PS0013D		P/S pump Assy OH	1.0	-	1.0	1.0	1.0	-	1.2	-	1.0	1.0
	PS0013R		P/S pump Assy	0.6	0.6	0.6	0.6	0.6	0.6	0.6	-	0.7	0.7
14	PS0014R		Drive pulley	0.3	0.3	0.3	0.3	0.3	-	1.2	-	0.3	0.3
15	PS0015R		Pump mount bracket	0.3	0.3	0.3	0.3	0.3	0.5	0.3	-	0.5	0.5
16	PS0016R		Power steering reservoir tank	0.3	0.3	0.3	0.3	0.3	0.3	0.3	-	0.5	0.5
18	PS0018R		Pressure pipe	-	-	-	-	-	-	-	-	0.5	0.5
19	PS0019R		Return pipe	-	-	-	-	-	-	-	-	0.5	0.5
20	PS0020R		Hose A and / or B	-	-	-	-	-	-	-	-	0.3	0.3
21	PS0021R		Cooler pipe Assy	-	-	-	-	-	-	-	-	0.9	0.9
22	PS0022R		Steering CM	-	-	0.4	-	-	0.2	-	0.2	0.5	0.5
	PS0022R	DE	Steering CM	-	0.5	0.5	-	-	0.5	-	-	-	-
23	PS0023R		Electric power steering Assy	-	-	3.4	-	-	1.3	-	1.3	-	-
	PS0023R	DE	Electric power steering Assy	-	1.5	3.6	-	-	1.5	-	-	-	-
24	PS0024R		Paddle shift switch	-	0.5	0.5	-	-	0.5	-	-	-	-
25	PS0025R		Steering wheel switch	0.5	0.5	0.5	-	0.5	0.5	0.5	0.5	-	-
	PS0999Z		Other	**	**	**	**	**	**	**	**	**	**

AC

**HVAC SYSTEM
(HEATER, VENTILATOR AND A/C)**





AC

No.	Work No.	Vehicle Information	Work Description	TIME (HOURS)									
				Justy			TRE ZIA	IMPREZA				LEGACY	
				1	2	3		1	2	3	4	1	2
1*	AC0001R		Refrigerant recovery procedure	0.4	-	0.9	-	0.4	0.4	0.4	0.4	0.4	0.4
2*	AC0002R		Refrigerant charging procedure	0.4	-	-	0.7	0.4	0.4	0.4	0.4	0.4	0.4
3	AC0003R		Blower fan relay	-	-	-	-	0.4	0.4	0.1	0.1	0.1	0.4
4	AC0004R	Non A/C	Heater unit Assy / Front	1.8	1.6	3.5	-	3.5	3.5	-	-	3.5	3.5
5	AC0005R		Blower motor and fan Assy	1.9	0.3	0.5	0.3	0.3	0.3	0.3	0.3	0.3	0.3
6	AC0006R		Heater blower resistor (Power transistor)	0.4	0.2	0.3	0.2	0.2	0.2	0.4	0.5	0.2	0.2
7	AC0007R		Heater core	1.9	1.7	3.7	4.9	2.3	2.6	2.3	3.2	2.3	2.3
8	AC0008R		Heater control unit Assy	1.4	-	0.5	0.3	0.3	0.5	0.3	0.3	0.3	0.3
9	AC0009R		Compressor clutch	2.4	1.9	1.6	-	0.5	0.5	-	-	0.5	0.5
10	AC0010R		Compressor	2.2	2.0	1.6	1.6	1.0	1.0	1.0	1.0	1.0	1.0
11	AC0011R		Condenser	2.5	1.7	1.4	2.4	0.8	0.8	1.0	1.0	0.8	0.8
12	AC0012R		Heater and cooling unit	-	-	-	4.9	2.9	2.9	2.4	2.9	2.9	2.9
13	AC0013R		Evaporator	2.5	1.4	3.7	5.1	1.6	1.6	1.4	1.4	1.6	1.6
14	AC0014R		Hose and tube	-	1.6	1.4	-	0.7	0.7	0.7	0.7	0.7	0.7
15	AC0015R		Receiver drier	2.2	-	-	2.4	0.2	0.2	-	-	0.2	0.2
16	AC0016R		Intake unit Assy	-	-	-	-	1.9	1.9	-	-	1.9	1.9
17	AC0017R		Ambient sensor	-	-	-	-	0.1	0.1	0.4	0.1	0.1	0.1
18	AC0018R		Sunload sensor	-	-	-	-	0.2	0.2	0.1	0.1	2.0	0.1
19	AC0019R		Air vent grill driver side	-	-	-	0.2	0.4	0.4	0.2	0.2	0.4	0.4
20	AC0020R		Air vent grill passenger side	-	-	-	0.3	0.1	0.1	0.1	0.1	0.1	0.1
21	AC0021R		Air vent grill center	-	-	-	0.3	0.2	0.2	0.2	0.2	0.2	0.2
22	AC0022R		Rear heater duct	-	-	-	-	2.6	2.6	2.4	-	2.6	2.6
23	AC0023R		Expansion valve	2.6	1.4	-	1.4	0.8	1.3	0.3	0.4	1.3	0.8
24	AC00246		Front defroster nozzle / Both side	1.7	1.3	-	-	-	-	-	-	-	-
25	AC00256		Front defroster duct / Both side	-	-	-	-	1.0	1.0	1.5	2.7	1.0	1.0
26	AC00266		Side defroster duct / Both side	0.7	-	-	0.8	0.9	0.9	0.5	-	0.9	0.9
27	AC0027R	Driver side	Side ventilation duct	0.7	1.3	-	-	0.9	0.9	0.9	-	0.9	0.9
28	AC0028R		Heater control lever Assy	1.4	0.5	-	-	-	-	-	-	-	-
29	AC0029R		Heater control cable	1.4	0.5	-	-	0.2	0.2	0.3	0.3	0.2	0.2
30	AC0030R		Heater control lever Illumination bulb	-	-	-	0.3	0.5	0.5	0.5	-	0.5	0.5
31	AC0031R		Intake unit with evaporator	-	-	-	-	1.9	1.9	-	-	1.9	1.9
32	AC0032R		Cooling unit Assy / Rear	-	-	-	-	-	-	-	-	-	-
33	AC0033R		Rear duct actuator (Rear seat A/C)	-	-	-	-	-	-	-	-	-	-
34	AC0034R		Console front duct (Rear seat A/C)	-	-	-	-	-	-	-	-	-	-
35	AC0035R		Console center duct (Rear seat A/C)	-	-	-	-	-	-	-	-	-	-
36	AC0036R		Console rear duct (Rear seat A/C)	-	-	-	-	-	-	-	-	-	-
37	AC0037R		Rear ventilation grill Assy (Rear seat A/C)	-	-	-	-	-	-	-	-	-	-
38	AC0038R		Foot duct	-	-	-	-	-	-	0.1	0.1	-	-
39	AC0039R		Liquid tank Assy (Hot gas)	-	-	-	-	-	-	-	-	-	-

AC

No.	Work No.	Vehicle Information	Work Description	TIME (HOURS)								
				LEGACY			FORESTER			TRIB ECA	EXI GA	SVX
				3	4	5	1	2	3			
1*	AC0001R		Refrigerant recovery procedure	0.4	0.4	0.4	0.4	0.4	0.4	0.4	0.4	0.4
2*	AC0002R		Refrigerant charging procedure	0.4	0.4	0.4	0.4	0.4	0.4	0.4	0.4	0.4
3	AC0003R		Blower fan relay	0.4	0.4	0.1	0.4	0.4	0.1	-	0.1	0.4
4	AC0004R	Non A/C	Heater unit Assy / Front	3.5	-	-	3.5	3.5	-	-	-	3.5
5	AC0005R		Blower motor and fan Assy	0.3	0.3	0.3	0.3	0.3	0.3	0.3	0.3	0.3
6	AC0006R		Heater blower resistor (Power transistor)	0.2	0.2	0.4	0.2	0.2	0.4	0.2	0.4	0.2
7	AC0007R		Heater core	3.3	2.3	4.1	2.5	2.3	2.3	2.3	2.3	2.1
8	AC0008R		Heater control unit Assy	0.4	0.6	0.3	0.3	0.3	0.3	0.3	0.3	0.3
9	AC0009R		Compressor clutch	0.5	-	-	0.5	0.5	-	0.5	-	0.5
10	AC0010R		Compressor	1.0	1.0	1.0	1.0	1.0	1.0	1.0	1.0	1.2
11	AC0011R		Condenser	0.8	1.4	1.4	0.8	0.8	1.0	0.8	1.0	1.3
12	AC0012R		Heater and cooling unit	2.9	2.4	4.5	2.9	2.9	2.4	2.1	2.4	3.2
13	AC0013R		Evaporator	1.6	1.7	5.0	1.6	1.6	1.4	1.6	1.6	1.6
14	AC0014R		Hose and tube	0.7	0.7	0.7	0.7	0.7	0.7	0.7	0.7	0.7
15	AC0015R		Receiver drier	0.2	-	-	0.2	0.2	-	-	-	0.2
16	AC0016R		Intake unit Assy	1.9	1.9	-	1.9	1.9	-	1.9	-	1.9
17	AC0017R		Ambient sensor	0.1	0.1	0.1	0.1	0.1	0.4	0.2	0.4	0.1
18	AC0018R		Sunload sensor	0.1	0.3	0.1	0.1	0.1	0.1	0.2	0.1	0.2
19	AC0019R		Air vent grill driver side	0.4	0.4	0.4	0.4	0.4	0.2	0.2	0.2	0.4
20	AC0020R		Air vent grill passenger side	0.1	0.1	0.1	0.1	0.1	0.1	0.2	0.1	0.1
21	AC0021R		Air vent grill center	0.2	0.2	0.2	0.2	0.2	0.2	0.2	0.2	0.2
22	AC0022R		Rear heater duct	2.6	2.6	0.9	2.6	2.6	2.4	2.6	2.4	2.6
23	AC0023R		Expansion valve	0.8	1.3	0.3	0.8	0.8	0.3	1.3	0.3	1.3
24	AC00246		Front defroster nozzle / Both side	-	-	-	-	-	-	-	-	-
25	AC00256		Front defroster duct / Both side	1.0	1.0	2.9	1.0	1.0	1.5	1.0	1.5	1.0
26	AC00266		Side defroster duct / Both side	0.9	0.9	1.2	0.9	0.9	0.5	0.9	0.9	0.9
27	AC0027R	Driver side	Side ventilation duct	0.9	0.9	0.9	0.9	0.9	0.9	0.9	0.9	0.9
28	AC0028R		Heater control lever Assy	-	-	-	-	-	-	-	-	-
29	AC0029R		Heater control cable	0.2	0.2	-	0.2	0.2	0.3	-	-	0.2
30	AC0030R		Heater control lever Illumination bulb	0.5	0.5	0.5	0.5	0.5	0.5	-	0.5	0.8
31	AC0031R		Intake unit with evaporator	1.9	-	-	1.9	1.9	-	1.9	-	1.9
32	AC0032R		Cooling unit Assy / Rear	-	-	-	-	-	-	0.7	-	-
33	AC0033R		Rear duct actuator (Rear seat A/C)	-	0.5	0.5	-	-	-	-	-	-
34	AC0034R		Console front duct (Rear seat A/C)	-	0.4	0.4	-	-	-	-	-	-
35	AC0035R		Console center duct (Rear seat A/C)	-	0.4	0.4	-	-	-	-	-	-
36	AC0036R		Console rear duct (Rear seat A/C)	-	0.4	0.4	-	-	-	-	-	-
37	AC0037R		Rear ventilation grill Assy (Rear seat A/C)	-	0.2	0.2	-	-	-	-	-	-
38	AC0038R		Foot duct	-	-	0.1	-	-	0.1	-	0.1	-
39	AC0039R		Liquid tank Assy (Hot gas)	-	0.4	-	-	-	-	-	-	-

AC

No.	Work No.	Vehicle Information	Work Description	TIME (HOURS)									
				Justy			TRE ZIA	IMPREZA				LEGACY	
				1	2	3		1	2	3	4	1	2
40	AC0040R		PTC heater (Main)	-	-	-	-	-	-	0.6	0.6	-	-
41	AC00416		PTC sub heater (One or both sides)	-	-	-	-	-	-	0.4	-	-	-
42	AC0042R		Air filter	-	-	-	-	-	0.3	0.1	0.1	-	-
43	AC0043R		Heater control actuator motor	-	-	-	4.8	-	-	-	-	-	-
44	AC0044R		Combustion heater fuel pump ASSY	-	-	-	5.4	-	-	-	-	-	-
45	AC0045R		Combustion heater ASSY	-	-	-	5.5	-	-	-	-	-	-
46	AC0046R		Combustion heater muffler	-	-	-	0.4	-	-	-	-	-	-
47	AC0047R		Combustion heater switch	-	-	-	0.2	-	-	-	-	-	-
	AC0999Z		Other	**	**	**	**	**	**	**	**	**	**

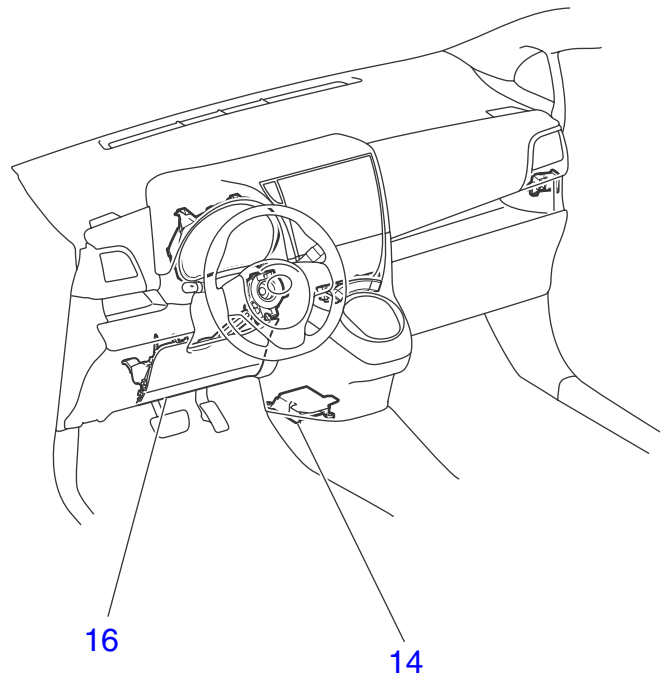
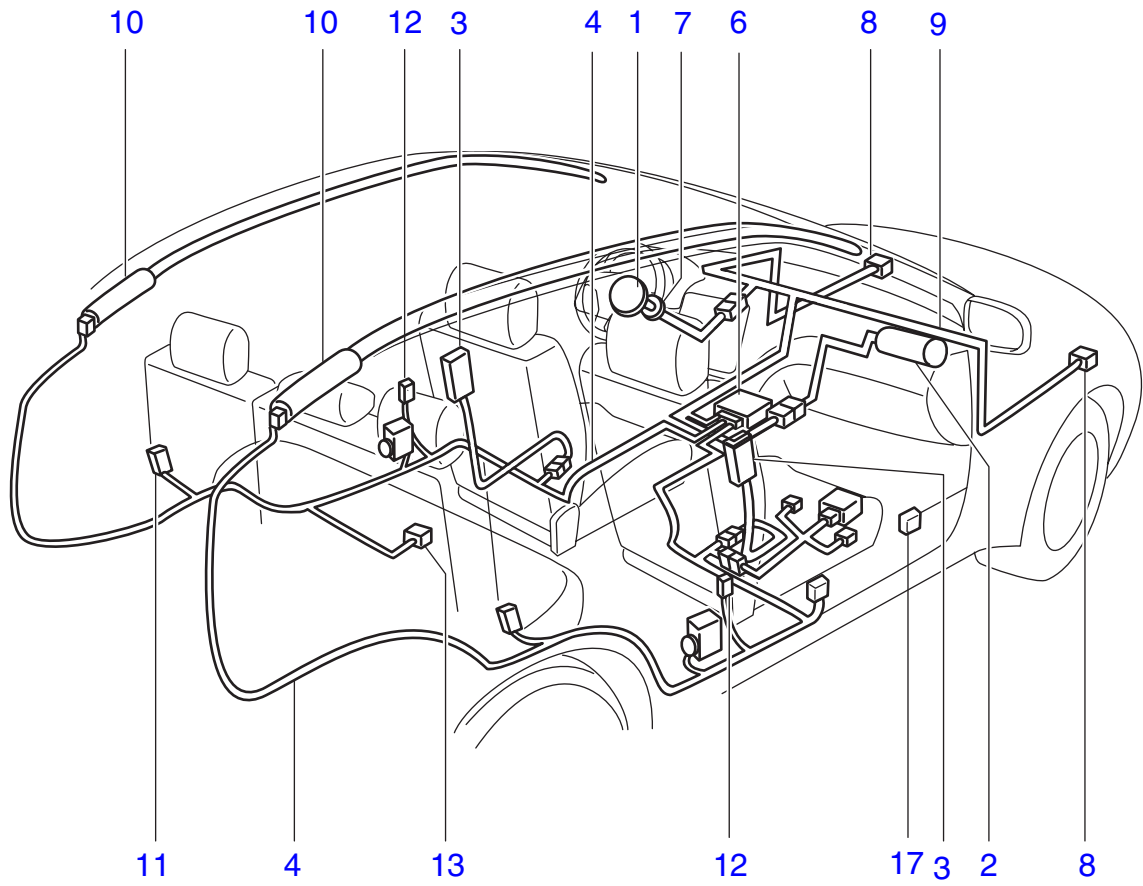
AC

No.	Work No.	Vehicle Information	Work Description	TIME (HOURS)								
				LEGACY			FORESTER			TRIB ECA	EXI GA	SVX
				3	4	5	1	2	3			
40	AC0040R		PTC heater (Main)	-	0.2	-	-	-	0.6	-	-	-
41	AC00416		PTC sub heater (One or both sides)	-	-	-	-	-	0.4	-	-	-
42	AC0042R		Air filter	0.3	0.1	0.1	-	-	0.4	0.2	0.2	-
43	AC0043R		Heater control actuator motor	-	-	-	-	-	-	-	-	-
44	AC0044R		Combustion heater fuel pump ASSY	-	-	-	-	-	-	-	-	-
45	AC0045R		Combustion heater ASSY	-	-	-	-	-	-	-	-	-
46	AC0046R		Combustion heater muffler	-	-	-	-	-	-	-	-	-
47	AC0047R		Combustion heater switch	-	-	-	-	-	-	-	-	-
	AC0999Z		Other	**	**	**	**	**	**	**	**	**

AB

AIRBAG SYSTEM





AB

No.	Work No.	Vehicle Information	Work Description	TIME (HOURS)									
				Justy			TRE ZIA	IMPREZA				LEGACY	
				1	2	3		1	2	3	4	1	2
1	AB0001R		Driver airbag module Assy	0.3	0.4	-	-	0.2	0.2	0.2	0.2	0.2	0.2
2	AB0002R		Passenger airbag module Assy	0.3	0.4	0.7	0.9	0.3	0.3	1.3	2.8	1.0	0.3
3	AB0003R		Side airbag module Assy / One side	-	0.4	0.8	0.6	0.5	0.5	0.5	0.5	-	0.5
	AB00035		Side airbag module Assy / Opposite side	-	-	-	0.6	0.2	0.4	0.4	0.4	-	0.2
4	AB0004R		Airbag harness	-	1.9	-	-	1.3	1.3	-	-	8.0	1.3
5*	AB0005R		Side airbag harness	-	-	-	-	0.7	0.7	-	-	-	0.7
6	AB0006R		Airbag control module	-	0.4	0.7	-	0.4	0.4	0.4	0.4	0.4	0.4
7	AB0007R		Roll connector	-	-	0.6	0.5	0.8	0.8	0.5	0.3	0.8	0.8
8	AB0008R		Front sub sensor Assy / One side	-	-	0.4	0.6	1.1	0.4	0.5	0.5	1.0	1.1
	AB00085		Front sub sensor Assy / Opposite side	-	-	-	0.6	1.1	0.4	0.4	0.4	1.1	1.1
9	AB0009R		Front sub sensor harness / One side	-	-	-	-	-	1.1	-	-	-	-
	AB00095		Front sub sensor harness / Opposite side	-	-	-	-	-	0.1	-	-	-	-
10	AB0010R		Curtain airbag module Assy	-	-	1.5	2.1	-	-	0.9	1.8	-	-
11	AB0011R		Curtain airbag sensor	-	-	-	-	-	-	0.3	0.4	-	-
12	AB0012R		Side airbag sensor Assy / One side	-	-	0.5	0.3	-	0.1	0.4	0.4	-	-
	AB00125		Side airbag sensor Assy / Opposite side	-	-	0.2	0.1	-	0.1	0.4	0.4	-	-
13	AB0013R		Satellite safing sensor	-	-	-	-	-	-	0.2	0.2	-	-
14	AB0014R		Center airbag sensor Assy	-	-	-	0.7	-	-	-	-	-	-
15*	AB0015R		Rear airbag sensor Assy / one side	-	-	-	0.8	-	-	-	-	-	-
	AB00155		Rear airbag sensor Assy / Opposite side	-	-	-	0.5	-	-	-	-	-	-
16	AB0016R		Knee airbag Assy	-	-	-	0.4	-	-	-	0.2	-	-
17	AB0017R		Door sensor	-	-	-	-	-	-	-	0.4	-	-
	AB0999Z		Other	**	**	**	**	**	**	**	**	**	**

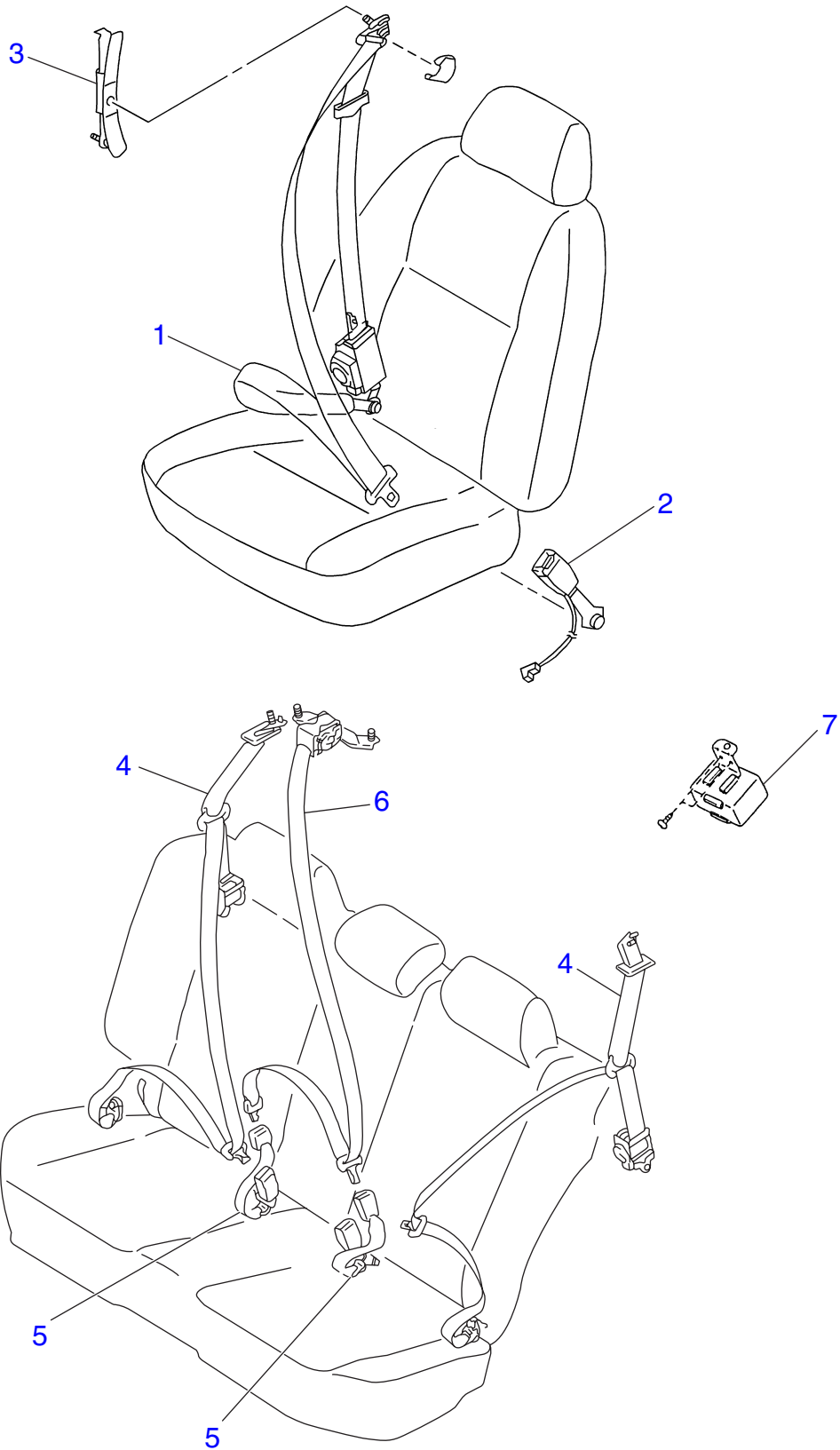
AB

No.	Work No.	Vehicle Information	Work Description	TIME (HOURS)									
				LEGACY			FORESTER			TRIB ECA	EXI GA	SVX	
				3	4	5	1	2	3				
1	AB0001R		Driver airbag module Assy	0.2	0.2	0.2	0.2	0.2	0.2	0.2	0.2	0.2	0.3
2	AB0002R		Passenger airbag module Assy	0.3	1.4	2.7	0.3	0.3	1.3	1.6	0.6	-	-
3	AB0003R		Side airbag module Assy / One side	0.5	0.5	0.5	0.5	0.5	0.5	0.6	0.5	-	-
	AB00035		Side airbag module Assy / Opposite side	0.4	0.4	0.5	0.2	0.4	0.4	0.6	0.5	-	-
4	AB0004R		Airbag harness	1.3	-	1.5	1.3	1.3	-	-	1.5	1.4	-
5*	AB0005R		Side airbag harness	0.7	-	0.7	0.7	0.7	-	0.9	-	-	-
6	AB0006R		Airbag control module	0.4	0.4	0.4	0.3	0.4	0.2	0.4	0.2	1.3	-
7	AB0007R		Roll connector	0.8	0.5	0.5	0.8	0.8	0.5	0.6	0.5	0.8	-
8	AB0008R		Front sub sensor Assy / One side	0.4	0.4	0.5	1.1	0.4	0.5	0.4	0.5	1.7	-
	AB00085		Front sub sensor Assy / Opposite side	0.4	0.4	0.4	1.1	0.4	0.4	0.4	0.4	0.2	-
9	AB0009R		Front sub sensor harness / One side	1.1	2.0	-	-	1.1	-	1.8	-	-	-
	AB00095		Front sub sensor harness / Opposite side	0.1	2.0	-	-	0.1	-	1.8	-	-	-
10	AB0010R		Curtain airbag module Assy	-	1.4	2.3	-	-	1.3	1.5	1.7	-	-
11	AB0011R		Curtain airbag sensor	-	0.2	0.2	-	-	0.2	0.2	0.2	-	-
12	AB0012R		Side airbag sensor Assy / One side	0.1	0.1	0.4	0.1	0.1	0.4	0.2	0.4	-	-
	AB00125		Side airbag sensor Assy / Opposite side	0.1	0.1	0.4	0.1	0.1	0.4	0.2	0.4	-	-
13	AB0013R		Satellite safing sensor	-	0.2	0.2	-	-	0.2	-	0.2	-	-
14	AB0014R		Center airbag sensor Assy	-	-	-	-	-	-	-	-	-	-
15*	AB0015R		Rear airbag sensor Assy / one side	-	-	-	-	-	-	-	-	-	-
	AB00155		Rear airbag sensor Assy / Opposite side	-	-	-	-	-	-	-	-	-	-
16	AB0016R		Knee airbag Assy	-	-	-	-	-	-	-	-	-	-
17	AB0017R		Door sensor	-	-	-	-	-	-	-	-	-	-
	AB0999Z		Other	**	**	**	**	**	**	**	**	**	**

SB

SEAT BELT SYSTEM





SB

No.	Work No.	Vehicle Information	Work Description	TIME (HOURS)									
				Justy			TRE ZIA	IMPREZA				LEGACY	
				1	2	3		1	2	3	4	1	2
1	SB0001R		Front seat belt outer	0.3	0.5	0.5	0.3	0.2	0.2	0.2	0.2	0.2	0.2
2	SB0002R		Front seat belt inner	-	-	-	-	0.2	0.2	0.2	0.2	0.2	0.2
3	SB0003R		Adjustable shoulder anchor	-	-	0.2	-	0.2	0.2	0.2	0.2	0.2	0.2
4	SB0004R		Rear seat belt outer	0.3	0.5	0.5	0.7	0.6	0.6	0.5	0.4	0.6	0.6
5	SB0005R		Rear seat belt inner	-	-	-	-	0.8	0.8	0.2	0.2	0.8	0.8
6	SB0006R		Rear seat belt center	0.3	-	-	-	0.6	0.6	0.5	0.5	0.6	0.6
7	SB0007R		Belt timer Assy	-	-	-	-	0.3	-	-	-	0.3	0.3
8*	SB0008R		Third seat belt	-	-	-	-	-	-	-	-	-	-
	SB0999Z		Other	**	**	**	**	**	**	**	**	**	**

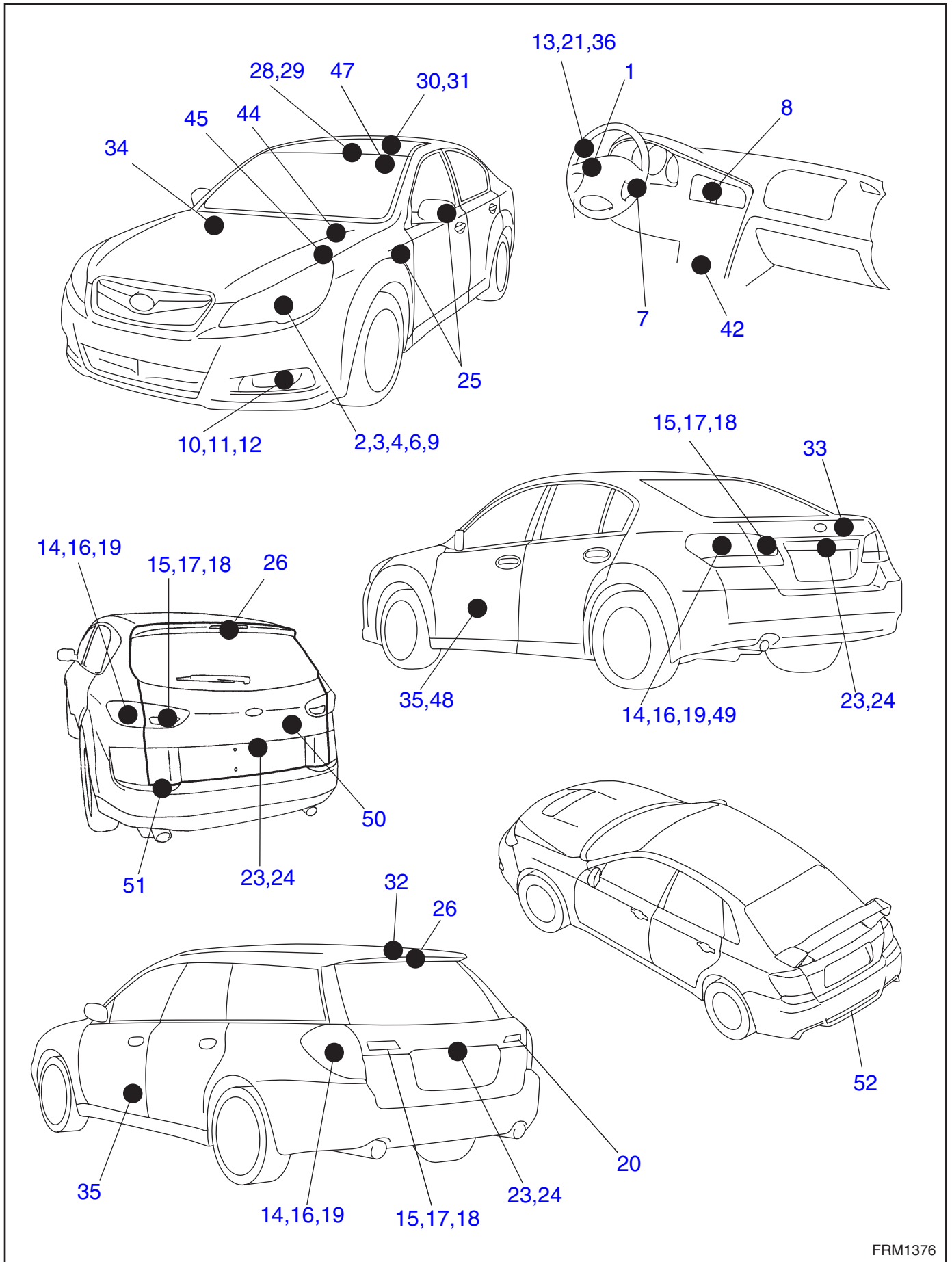
SB

No.	Work No.	Vehicle Information	Work Description	TIME (HOURS)								
				LEGACY			FORESTER			TRIB ECA	EXI GA	SVX
				3	4	5	1	2	3			
1	SB0001R		Front seat belt outer	0.2	0.2	0.2	0.2	0.2	0.2	0.4	0.2	0.5
2	SB0002R		Front seat belt inner	0.2	0.2	0.2	0.2	0.2	0.2	0.2	0.2	0.2
3	SB0003R		Adjustable shoulder anchor	0.2	0.2	0.2	0.2	0.2	0.2	0.2	0.2	0.2
4	SB0004R		Rear seat belt outer	0.6	0.6	0.4	0.6	0.6	0.2	0.6	0.4	1.0
5	SB0005R		Rear seat belt inner	0.8	0.3	0.3	0.8	0.8	0.2	0.3	0.3	0.8
6	SB0006R		Rear seat belt center	0.6	1.7	1.4	0.6	0.6	1.8	2.0	0.2	0.6
7	SB0007R		Belt timer Assy	-	-	-	-	-	-	-	-	0.5
8*	SB0008R		Third seat belt	-	-	-	-	-	-	0.4	0.4	-
	SB0999Z		Other	**	**	**	**	**	**	**	**	**

LI

LIGHTING SYSTEM





LI

No.	Work No.	Vehicle Information	Work Description	TIME (HOURS)									
				Justy			TRE ZIA	IMPREZA				LEGACY	
				1	2	3		1	2	3	4	1	2
1	LI0001R		Lighting switch Assy	0.6	0.6	0.4	0.6	0.6	0.3	0.3	0.3	0.6	0.6
2	LI0002R		Head light Assy	0.8	0.5	0.7	1.0	0.4	0.4	0.4	0.4	0.4	0.2
	LI0002A		Head light beam adjustment	0.2	0.2	0.2	0.3	0.2	0.2	0.2	0.2	0.2	0.2
3	LI0003R		Head light or halogen light bulb	0.2	0.2	0.3	0.2	0.1	0.1	0.2	0.2	0.1	0.1
4	LI0004R		Front turn signal light Assy	-	0.2	-	0.3	0.2	0.2	0.1	-	0.2	0.2
6	LI0006R		Front turn signal light bulb	-	-	0.3	0.2	0.2	0.2	0.1	0.1	0.2	0.2
7	LI0007R		Turn signal and hazard unit	0.3	0.2	-	-	0.2	0.2	0.2	0.2	0.2	0.2
8	LI0008R		Hazard switch	-	-	0.9	0.3	0.1	0.2	0.3	0.2	0.2	0.2
9	LI0009R		Clearance light bulb	0.8	-	0.3	0.2	0.1	0.1	-	-	0.1	0.1
10	LI0010R		Fog light Assy	0.3	0.5	-	0.5	0.2	0.2	0.2	0.2	0.2	0.2
11	LI0011R		Fog light aiming	0.3	-	-	-	0.2	0.2	0.2	0.2	0.2	0.2
12	LI0012R		Fog light bulb	0.3	0.5	-	0.4	0.2	0.2	0.2	0.1	0.2	0.2
13	LI0013R		Fog light switch	0.4	0.2	-	-	0.1	0.1	0.1	-	0.1	0.1
14	LI0014R		Rear combination light Assy	0.4	0.3	0.4	0.7	0.2	0.2	0.1	0.3	0.2	0.2
15	LI0015R		Rear finish light Assy	-	-	-	-	0.2	-	0.3	-	0.2	0.2
16	LI0016R		Rear combination light bulb	0.2	0.3	0.4	0.3	0.2	0.2	-	0.2	0.2	0.2
17	LI0017R		Rear finish light bulb	-	-	-	-	0.1	-	-	-	0.1	0.1
18	LI0018R		Rear back-up light bulb	-	0.3	-	0.2	0.1	0.1	0.2	0.2	0.1	0.1
19	LI0019R		Rear turn signal light bulb	-	-	-	-	0.1	0.1	0.1	0.2	0.1	0.1
20	LI0020R		Rear fog light bulb	0.2	0.2	-	-	0.1	0.1	0.1	0.1	0.1	0.1
21	LI0021R		Rear fog light switch	0.4	0.2	-	-	0.1	0.1	-	-	0.1	0.1
22*	LI0022R		Rear fog light relay	-	0.2	-	-	0.1	0.1	0.1	0.1	0.1	0.1
23	LI0023R		License plate light Assy	0.4	0.4	0.2	0.3	0.1	0.1	0.1	0.2	0.1	0.1
24	LI0024R		License plate light bulb	-	0.4	0.2	0.4	0.1	0.1	0.1	0.1	0.1	0.1
25	LI0025R		Side turn signal light Assy	0.2	0.2	0.2	-	0.2	0.3	0.1	-	0.2	0.2
26	LI0026R		High mount stop light Assy	0.3	0.3	0.3	0.2	0.2	0.2	0.2	0.2	0.2	0.2
28	LI0028R		Spot light lens or spot light bulb	-	0.1	0.3	0.2	0.1	0.1	0.1	0.1	0.1	0.1
29	LI0029R		Spot light & sun roof switch Assy (or spot light switch Assy)	-	-	-	-	0.2	0.2	0.2	0.2	0.2	0.2
30	LI0030R		Room light Assy (or room light lens)	0.2	0.2	0.3	0.2	0.1	0.1	0.1	0.1	0.1	0.1
31	LI0031R		Room light bulb	0.1	0.1	0.2	0.2	0.1	0.1	0.1	0.1	0.1	0.1
32	LI0032R		Luggage room light Assy (or luggage room light lens)	-	-	0.3	-	0.1	0.1	0.1	0.1	0.1	0.1
33	LI0033R		Trunk room light lens or trunk room light bulb	-	-	-	-	0.1	0.1	0.1	0.1	0.1	0.1
34	LI0034R		Glove box light bulb	-	-	-	-	0.2	0.2	0.4	0.1	0.2	0.2
35	LI0035R		Door step light	-	-	-	-	0.1	0.1	-	-	0.1	0.1
36	LI0036R		Head light leveling switch	-	-	-	-	0.1	0.1	0.1	0.1	0.1	0.1
37*	LI0037R		DRL unit Assy	0.3	-	-	-	0.2	0.2	-	-	0.2	0.2
38*	LI0038R		DRL relays	-	-	0.2	-	0.2	0.2	-	-	0.2	0.2
39*	LI0039R		DRL resister	-	-	-	-	0.2	0.2	-	-	0.2	0.2

LI

No.	Work No.	Vehicle Information	Work Description	TIME (HOURS)								
				LEGACY			FORESTER			TRIB ECA	EXI GA	SVX
				3	4	5	1	2	3			
1	LI0001R		Lighting switch Assy	0.3	0.3	0.5	0.2	0.3	0.3	0.3	0.5	1.2
2	LI0002R		Head light Assy	0.4	0.4	0.4	0.4	0.4	0.3	0.6	0.4	0.2
	LI0002A		Head light beam adjustment	0.2	0.2	0.2	0.2	0.2	0.2	0.2	0.2	0.2
3	LI0003R		Head light or halogen light bulb	0.1	0.1	0.3	0.1	0.1	0.1	0.1	0.1	0.2
4	LI0004R		Front turn signal light Assy	0.2	-	-	0.2	0.2	-	-	-	0.2
6	LI0006R		Front turn signal light bulb	0.2	0.2	0.1	0.2	0.2	0.1	0.1	0.1	0.2
7	LI0007R		Turn signal and hazard unit	0.2	0.2	0.2	0.2	0.2	0.2	-	0.2	0.2
8	LI0008R		Hazard switch	0.2	0.1	-	0.1	0.2	0.3	0.1	0.3	0.2
9	LI0009R		Clearance light bulb	0.1	-	-	0.1	0.1	-	-	-	0.1
10	LI0010R		Fog light Assy	0.2	0.2	0.3	0.2	0.2	0.2	0.2	0.3	0.2
11	LI0011R		Fog light aiming	0.2	0.2	0.2	0.2	0.2	0.2	0.2	0.2	0.2
12	LI0012R		Fog light bulb	0.2	0.2	0.1	0.2	0.2	0.1	0.2	0.1	0.2
13	LI0013R		Fog light switch	0.1	0.1	0.1	0.1	0.1	0.1	-	0.1	0.1
14	LI0014R		Rear combination light Assy	0.2	0.2	0.2	0.2	0.2	0.1	0.1	0.1	0.2
15	LI0015R		Rear finish light Assy	0.2	-	0.3	0.2	-	-	0.2	0.3	0.2
16	LI0016R		Rear combination light bulb	0.2	0.2	0.1	0.2	0.2	0.1	0.1	0.1	0.2
17	LI0017R		Rear finish light bulb	0.1	-	0.2	0.1	-	-	0.1	0.1	0.1
18	LI0018R		Rear back-up light bulb	0.1	-	0.1	0.1	0.1	-	0.1	-	0.1
19	LI0019R		Rear turn signal light bulb	0.1	0.1	0.1	0.1	0.1	0.1	0.2	0.1	0.1
20	LI0020R		Rear fog light bulb	0.1	0.1	-	0.1	0.1	0.1	-	-	0.1
21	LI0021R		Rear fog light switch	0.1	0.1	-	0.1	0.1	0.1	-	-	0.3
22*	LI0022R		Rear fog light relay	0.1	0.1	-	0.1	0.1	0.1	-	-	0.4
23	LI0023R		License plate light Assy	0.1	0.1	0.3	0.1	0.1	0.1	0.2	0.1	0.1
24	LI0024R		License plate light bulb	0.1	0.1	0.1	0.1	0.1	0.1	0.1	0.1	0.1
25	LI0025R		Side turn signal light Assy	0.2	0.3	0.2	0.2	0.3	0.1	0.3	0.1	0.2
26	LI0026R		High mount stop light Assy	0.2	0.2	0.2	0.2	0.2	0.2	0.2	0.2	0.3
28	LI0028R		Spot light lens or spot light bulb	0.1	0.1	0.1	0.1	0.1	0.1	0.1	-	0.1
29	LI0029R		Spot light & sun roof switch Assy (or spot light switch Assy)	0.2	0.2	0.2	0.2	0.2	0.2	0.2	0.2	0.3
30	LI0030R		Room light Assy (or room light lens)	0.1	0.1	0.1	0.1	0.1	0.1	0.1	0.1	0.1
31	LI0031R		Room light bulb	0.1	0.1	0.1	0.1	0.1	0.1	0.1	0.1	0.1
32	LI0032R		Luggage room light Assy (or luggage room light lens)	0.1	0.1	0.1	0.1	0.1	0.1	0.1	0.1	0.1
33	LI0033R		Trunk room light lens or trunk room light bulb	0.1	0.1	0.1	-	-	-	-	-	0.1
34	LI0034R		Glove box light bulb	0.2	0.2	0.1	0.2	0.2	-	0.2	0.4	0.3
35	LI0035R		Door step light	0.1	0.1	0.1	0.1	0.1	0.1	0.1	0.1	0.1
36	LI0036R		Head light leveling switch	0.1	0.1	0.1	0.1	0.1	0.1	0.1	0.1	0.2
37*	LI0037R		DRL unit Assy	0.2	-	-	0.2	0.2	-	0.2	-	0.5
38*	LI0038R		DRL relays	0.2	-	-	0.2	0.2	-	0.2	-	0.4
39*	LI0039R		DRL resister	0.2	-	-	0.2	0.2	-	0.2	-	0.2

LI

No.	Work No.	Vehicle Information	Work Description	TIME (HOURS)									
				Justy			TRE ZIA	IMPREZA				LEGACY	
				1	2	3		1	2	3	4	1	2
40*	LI0040R		Illumination control unit	-	-	-	-	0.2	0.2	-	-	0.2	0.2
42	LI0042R		Ashtray illumination light Assy	-	-	-	-	0.1	0.1	-	-	0.1	0.1
44	LI0044R		Fuse & joint box	-	-	-	0.3	0.7	0.7	0.2	0.2	0.2	0.7
45	LI0045R		Main fuse box	0.3	0.2	-	-	0.6	0.6	0.4	0.4	0.2	0.4
46*	LI0046R		Dim-Dip lighting system relays	0.5	-	-	-	-	-	-	-	-	-
47	LI0047R		Vanity mirror light	-	-	-	-	-	-	-	-	-	-
48	LI0048R		Courtesy light Assy	-	-	-	-	-	-	-	-	-	-
49	LI0049R		Rear side light Assy	-	-	-	-	-	-	-	-	-	-
50	LI0050R		Rear gate lamp	-	-	-	-	-	-	-	-	-	-
51	LI0051R		Reflex reflector Assy	-	-	-	-	-	-	0.1	0.1	-	-
52	LI0052R		Rear fog light Assy	-	-	-	-	-	-	0.3	0.2	-	-
	LI0999Z		Other	**	**	**	**	**	**	**	**	**	**

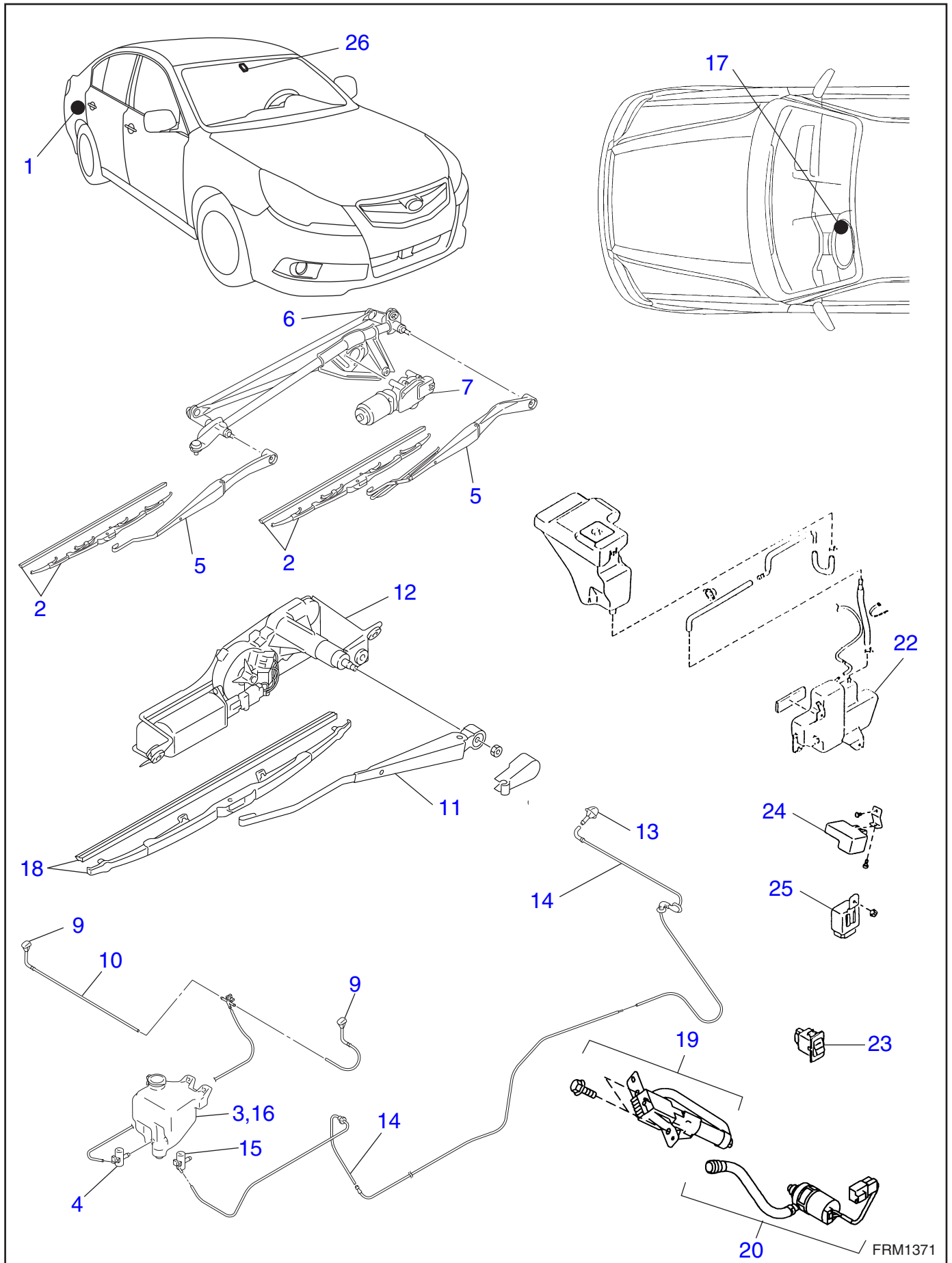
LI

No.	Work No.	Vehicle Information	Work Description	TIME (HOURS)								
				LEGACY			FORESTER			TRIB ECA	EXI GA	SVX
				3	4	5	1	2	3			
40*	LI0040R		Illumination control unit	0.2	0.2	-	0.2	0.2	-	-	-	0.5
42	LI0042R		Ashtray illumination light Assy	0.1	0.1	-	0.1	0.1	-	-	-	0.4
44	LI0044R		Fuse & joint box	0.7	0.4	0.2	0.7	0.7	0.2	0.4	0.2	0.7
45	LI0045R		Main fuse box	0.4	0.4	0.4	0.6	0.6	0.4	0.4	0.4	0.4
46*	LI0046R		Dim-Dip lighting system relays	-	-	-	-	-	-	-	-	-
47	LI0047R		Vanity mirror light	-	0.1	0.1	-	-	-	0.1	-	0.1
48	LI0048R		Courtesy light Assy	-	-	-	-	-	-	-	-	0.3
49	LI0049R		Rear side light Assy	-	-	-	-	-	-	-	-	0.2
50	LI0050R		Rear gate lamp	-	-	-	-	-	-	0.1	-	-
51	LI0051R		Reflex reflector Assy	-	-	0.2	-	-	0.2	0.1	0.2	-
52	LI0052R		Rear fog light Assy	-	-	-	-	-	-	0.3	-	-
	LI0999Z		Other	**	**	**	**	**	**	**	**	**

WW

WIPER AND WASHER SYSTEMS





FRM1371

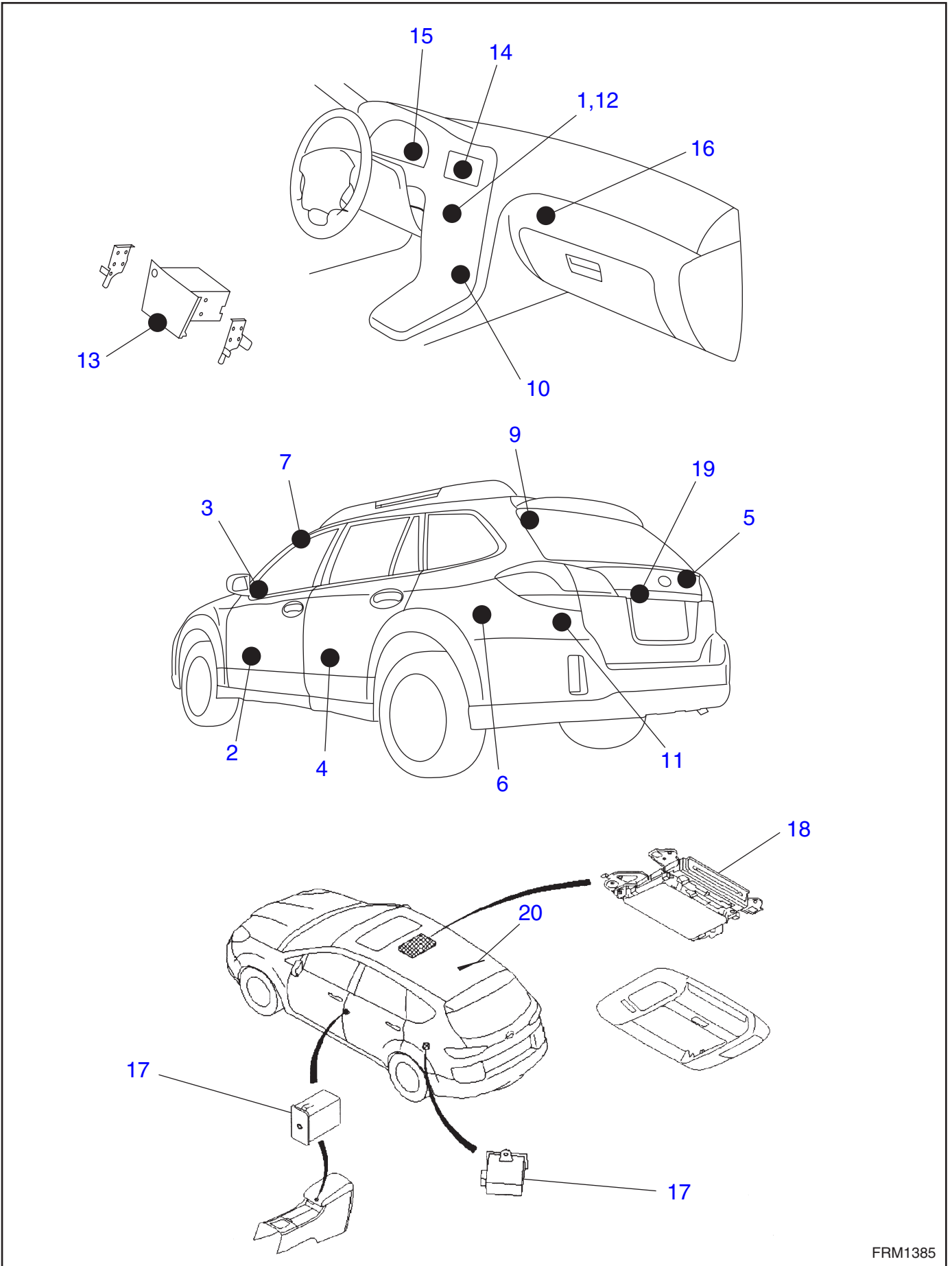
No.	Work No.	Vehicle Information	Work Description	TIME (HOURS)									
				Justy			TRE ZIA	IMPREZA				LEGACY	
				1	2	3		1	2	3	4	1	2
1	WW0001R		Front wiper intermittent unit Assy	-	-	-	-	0.4	0.4	-	-	0.4	0.4
2	WW0002R		Front wiper blade / Front wiper rubber	0.2	0.2	0.2	0.1	0.1	0.1	0.1	0.1	0.1	0.1
3	WW0003R		Front washer tank	0.7	0.5	0.9	1.1	0.3	0.3	0.5	0.5	0.3	0.3
4	WW0004R		Front washer motor	0.7	0.5	0.9	0.6	0.3	0.3	0.5	0.3	0.3	0.3
5	WW0005R		Front wiper arm	0.2	0.2	0.2	0.2	0.1	0.1	0.1	0.1	0.1	0.1
6	WW0006R		Front wiper link	0.4	0.5	0.5	0.5	0.5	0.3	0.3	0.3	0.4	0.3
7	WW0007R		Front wiper motor	0.5	0.4	0.5	0.5	0.4	0.3	-	-	0.3	0.3
9	WW0009R		Front washer nozzle	0.2	0.2	0.2	0.2	0.2	0.2	0.1	0.2	0.2	0.2
10	WW0010R		Front washer hose	0.2	0.2	-	-	0.2	0.2	0.2	0.2	0.2	0.2
11	WW0011R		Rear wiper arm	0.2	0.2	0.3	0.2	0.1	0.1	0.1	0.1	0.1	0.1
12	WW0012R		Rear wiper motor	0.4	0.4	0.4	0.4	0.3	0.3	0.3	0.3	0.3	0.3
13	WW0013R		Rear washer nozzle	0.3	0.2	0.3	0.4	0.2	0.3	0.3	0.1	0.3	0.3
14	WW0014R		Rear washer hose	-	-	-	-	0.4	0.4	0.4	0.3	2.2	0.4
15	WW0015R		Rear washer motor	0.7	-	0.9	-	0.3	0.3	-	-	0.3	0.3
16	WW0016R		Rear washer tank	0.7	0.2	-	0.6	0.3	-	-	-	0.3	-
17	WW0017R		Wiper & washer switch	0.2	0.2	0.4	0.2	0.2	0.2	0.2	0.1	0.2	0.2
18	WW0018R		Rear wiper blade / Rear wiper rubber	0.2	0.2	0.2	0.1	0.1	0.1	0.1	0.1	0.1	0.1
19	WW0019R		Head light washer motor	-	-	-	-	0.5	0.5	0.5	0.3	0.5	0.5
20	WW0020R		Head light washer nozzle	-	-	-	-	0.5	0.5	0.5	0.4	0.5	0.5
21*	WW0021R		Head light washer check valve	-	-	-	-	0.2	0.2	0.2	-	0.2	0.2
22	WW0022R		Head light washer tank	-	-	-	-	-	-	-	-	-	-
23	WW0023R		Wiper select switch	-	-	-	-	-	-	-	-	-	-
24	WW0024R		Head light washer timer	-	-	-	-	0.1	-	0.4	0.3	0.1	0.1
25	WW0025R		Rear wiper intermittent Assy	-	-	-	-	0.3	-	-	-	0.3	0.3
26	WW0026R		Rain and light sensor	-	-	-	-	-	-	-	0.3	-	-
	WW0999Z		Other	**	**	**	**	**	**	**	**	**	**

No.	Work No.	Vehicle Information	Work Description	TIME (HOURS)								
				LEGACY			FORESTER			TRIB ECA	EXI GA	SVX
				3	4	5	1	2	3			
1	WW0001R		Front wiper intermittent unit Assy	0.4	-	-	0.4	0.4	-	-	-	0.4
2	WW0002R		Front wiper blade / Front wiper rubber	0.1	0.1	0.1	0.1	0.1	0.1	0.1	0.1	0.1
3	WW0003R		Front washer tank	0.3	0.5	0.5	0.3	0.3	0.5	0.4	0.5	0.3
4	WW0004R		Front washer motor	0.3	0.5	0.5	0.3	0.3	0.5	0.4	0.5	0.3
5	WW0005R		Front wiper arm	0.1	0.1	0.1	0.1	0.1	0.1	0.1	0.1	0.1
6	WW0006R		Front wiper link	0.3	0.4	0.4	0.4	0.3	0.3	0.4	0.3	0.6
7	WW0007R		Front wiper motor	0.3	0.4	-	0.3	0.3	-	-	-	0.5
9	WW0009R		Front washer nozzle	0.2	0.2	0.2	0.2	0.2	0.2	0.2	0.2	0.2
10	WW0010R		Front washer hose	0.2	0.2	0.2	0.2	0.2	0.2	0.2	0.2	0.2
11	WW0011R		Rear wiper arm	0.1	0.1	0.1	0.1	0.1	0.1	0.1	0.1	0.1
12	WW0012R		Rear wiper motor	0.3	0.3	0.2	0.3	0.3	0.3	0.4	0.3	0.5
13	WW0013R		Rear washer nozzle	0.3	0.3	0.4	0.2	0.3	0.3	0.3	0.3	0.2
14	WW0014R		Rear washer hose	0.4	0.4	0.3	0.4	0.4	0.4	0.4	0.4	0.1
15	WW0015R		Rear washer motor	0.3	-	-	0.3	0.3	-	-	-	0.2
16	WW0016R		Rear washer tank	-	-	-	-	-	-	-	-	0.3
17	WW0017R		Wiper & washer switch	0.2	0.2	0.2	0.2	0.2	0.2	0.2	0.2	1.1
18	WW0018R		Rear wiper blade / Rear wiper rubber	0.1	0.1	0.1	0.1	0.1	0.1	0.1	0.1	0.1
19	WW0019R		Head light washer motor	0.5	0.5	0.5	0.5	0.5	0.3	0.5	-	0.7
20	WW0020R		Head light washer nozzle	0.5	0.5	0.4	0.5	0.5	0.3	0.3	-	0.4
21*	WW0021R		Head light washer check valve	0.2	0.2	-	0.2	0.2	0.2	-	-	0.4
22	WW0022R		Head light washer tank	-	-	-	-	-	-	-	-	0.7
23	WW0023R		Wiper select switch	-	-	-	-	-	-	-	-	0.2
24	WW0024R		Head light washer timer	-	-	0.3	0.1	-	0.3	0.5	-	0.4
25	WW0025R		Rear wiper intermittent Assy	-	-	-	0.3	-	-	-	-	0.5
26	WW0026R		Rain and light sensor	-	-	0.3	-	-	-	-	-	-
	WW0999Z		Other	**	**	**	**	**	**	**	**	**

ET

ENTERTAINMENT





ET

No.	Work No.	Vehicle Information	Work Description	TIME (HOURS)									
				Justy			TRE ZIA	IMPREZA				LEGACY	
				1	2	3		1	2	3	4	1	2
1	ET0001R		Radio Assy	0.4	0.1	0.5	0.3	0.3	0.3	0.3	0.3	0.3	0.3
2	ET0002R		Front speaker / One side	0.3	0.4	0.4	0.5	0.3	0.3	0.3	0.3	0.3	0.3
3	ET0003R		Front tweeter / One side	0.3	-	-	0.2	-	0.3	0.3	0.3	-	0.3
4	ET0004R		Rear speaker / One side	0.5	0.3	0.4	0.4	0.3	0.3	0.3	0.3	0.3	0.3
5	ET0005R		Rear tweeter / One side	-	-	-	-	-	-	-	-	-	-
6	ET0006R		Woofer	-	-	-	-	-	-	-	-	-	-
7	ET0007R		Radio antenna Assy manual	0.4	0.3	1.2	2.0	0.4	-	1.2	1.4	0.4	0.4
8*	ET0008R		Power antenna Assy	-	-	-	-	-	-	-	-	0.4	0.4
9	ET0009R		Antenna amplifier	-	-	-	0.8	0.5	0.5	-	-	0.5	0.5
10	ET0010R		Cigarette lighter Assy	0.3	0.3	0.2	-	0.2	0.2	0.2	-	0.2	0.2
11	ET0011R		Accessory power socket	-	-	-	-	-	0.2	0.2	0.2	-	-
12	ET0012R		Clock Assy	0.3	0.4	-	-	0.3	0.3	0.3	-	0.3	0.3
13	ET0013R		Information display	-	-	-	-	-	-	-	0.3	-	-
14	ET0014R		Navigation display	-	-	-	-	-	0.2	-	-	-	-
15	ET0015R		GPS antenna	-	-	-	-	-	0.4	0.4	0.3	-	-
16	ET0016R		Navigation body	-	-	-	-	-	0.6	-	0.4	-	-
17	ET0017R		Audio terminal	-	-	-	-	-	-	-	-	-	-
18	ET0018R		Rear seat entertainment Assy	-	-	-	-	-	-	-	-	-	-
19	ET0019R		Rearview camera Assy	-	-	-	0.4	-	-	-	0.3	-	-
20	ET0020R	SDN	Roof antenna	-	-	-	-	-	-	1.2	1.3	-	-
	ET0020R	WGN	Roof antenna	-	-	-	-	-	-	0.7	1.4	-	-
	ET0999Z		Other	**	**	**	**	**	**	**	**	**	**

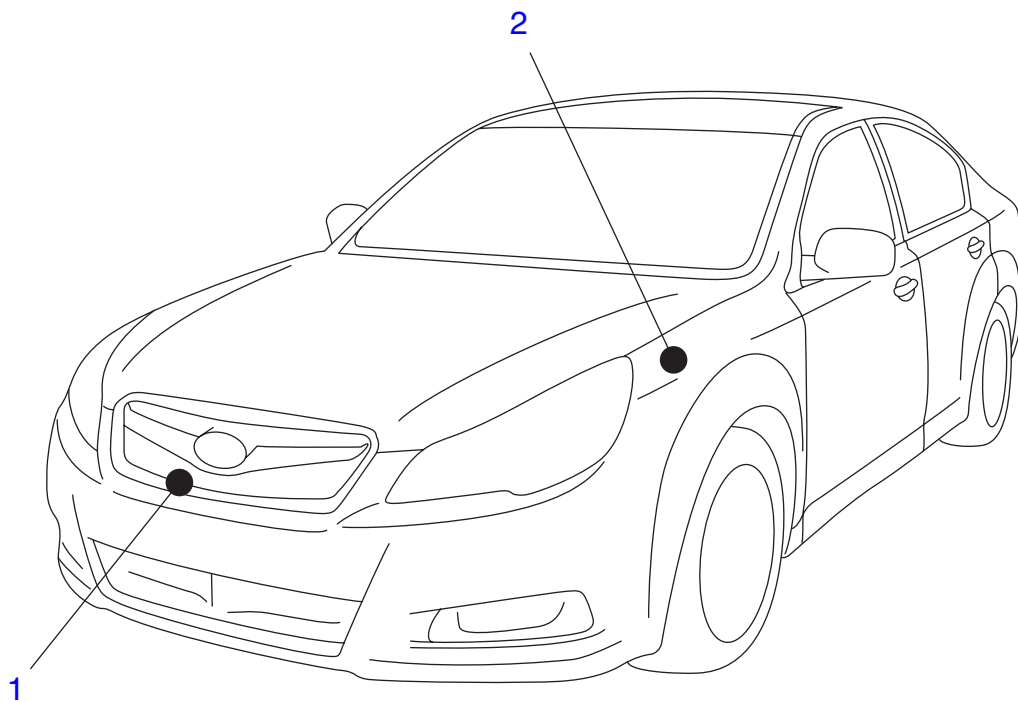
ET

No.	Work No.	Vehicle Information	Work Description	TIME (HOURS)										
				LEGACY			FORESTER			TRIB ECA	EXI GA	SVX		
				3	4	5	1	2	3					
1	ET0001R		Radio Assy	0.3	0.3	0.3	0.3	0.3	0.3	0.3	0.3	0.3	0.3	0.4
2	ET0002R		Front speaker / One side	0.3	0.3	0.3	0.3	0.3	0.3	0.3	0.3	0.3	0.3	0.2
3	ET0003R		Front tweeter / One side	0.3	0.3	0.3	-	0.3	0.3	0.3	0.3	0.3	0.3	-
4	ET0004R		Rear speaker / One side	0.3	0.3	0.3	0.3	0.3	0.3	0.3	0.3	0.3	0.3	0.7
5	ET0005R		Rear tweeter / One side	0.3	0.3	0.3	-	-	-	-	-	-	-	-
6	ET0006R		Woofer	0.3	0.3	0.4	-	-	0.1	0.5	0.1	-	-	-
7	ET0007R		Radio antenna Assy manual	-	-	-	-	-	1.8	-	-	-	-	-
8*	ET0008R		Power antenna Assy	-	-	-	-	-	-	-	-	-	-	0.4
9	ET0009R		Antenna amplifier	0.9	0.9	0.4	0.5	0.5	-	0.5	-	-	-	0.5
10	ET0010R		Cigarette lighter Assy	0.2	0.2	-	0.2	0.2	0.2	-	0.2	-	-	0.3
11	ET0011R		Accessory power socket	0.2	0.2	0.2	0.2	0.2	0.2	0.2	0.2	0.2	0.2	-
12	ET0012R		Clock Assy	0.3	0.3	0.2	0.3	0.3	0.3	-	0.2	-	-	0.3
13	ET0013R		Information display	-	0.1	-	-	-	-	0.2	-	-	-	-
14	ET0014R		Navigation display	-	0.1	-	-	0.4	-	0.2	-	-	-	-
15	ET0015R		GPS antenna	-	0.4	0.5	-	0.4	0.4	0.4	0.4	0.4	-	-
16	ET0016R		Navigation body	-	0.4	0.4	-	0.3	0.4	0.5	-	-	-	-
17	ET0017R		Audio terminal	-	-	-	-	-	-	0.1	-	-	-	-
18	ET0018R		Rear seat entertainment Assy	-	-	-	-	-	-	0.2	0.2	-	-	-
19	ET0019R		Rearview camera Assy	-	0.3	0.4	-	-	-	-	-	-	-	-
20	ET0020R	SDN	Roof antenna	-	-	-	-	-	-	-	-	-	-	-
	ET0020R	WGN	Roof antenna	-	-	-	-	-	1.8	-	1.8	-	-	-
	ET0999Z		Other	**	**	**	**	**	**	**	**	**	**	**

COM

COMMUNICATION SYSTEM





COM

No.	Work No.	Vehicle Information	Work Description	TIME (HOURS)									
				Justy			TRE ZIA	IMPREZA				LEGACY	
				1	2	3		1	2	3	4	1	2
1	COM001R		Horn Assy	0.2	0.4	0.4	0.6	0.2	0.2	0.4	0.2	0.2	0.2
2	COM002R		Horn relay	0.2	0.2	-	-	0.2	0.2	0.2	0.1	0.2	0.2
3*	COM003R		Horn Assy / For theft deterrent	-	-	-	0.2	-	-	-	-	-	-
	COM999Z		Other	**	**	**	**	**	**	**	**	**	**

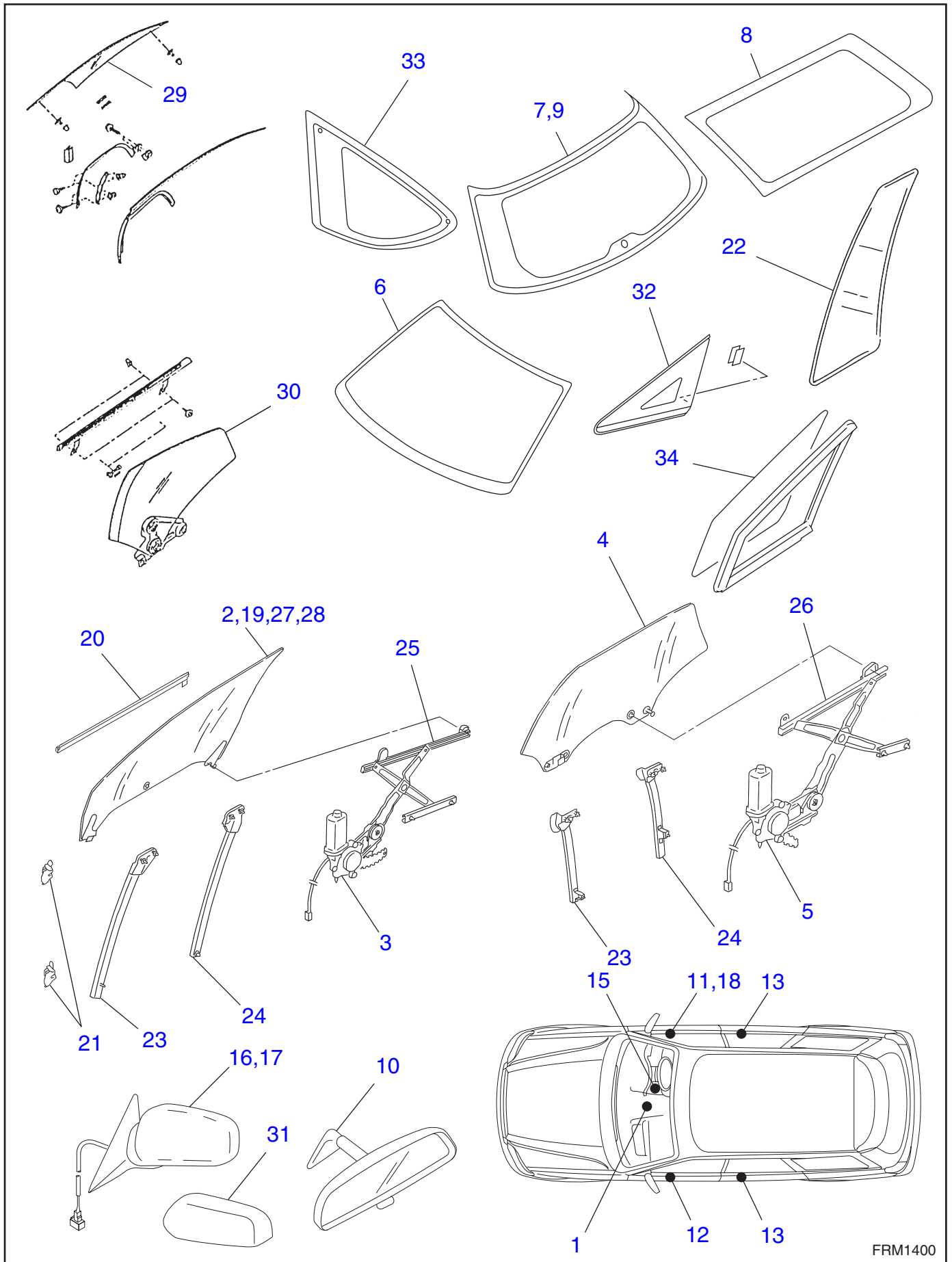
COM

No.	Work No.	Vehicle Information	Work Description	TIME (HOURS)								
				LEGACY			FORESTER			TRIB ECA	EXI GA	SVX
				3	4	5	1	2	3			
1	COM001R		Horn Assy	0.2	0.5	0.4	0.2	0.2	0.4	0.2	0.4	0.3
2	COM002R		Horn relay	0.2	0.2	0.2	0.2	0.2	0.2	0.2	0.2	0.4
3*	COM003R		Horn Assy / For theft deterrent	-	-	-	-	-	-	-	-	-
	COM999Z		Other	**	**	**	**	**	**	**	**	**

GW

GLASS / WINDOWS / MIRRORS





FRM1400

GW

No.	Work No.	Vehicle Information	Work Description	TIME (HOURS)									
				Justy			TRE ZIA	IMPREZA				LEGACY	
				1	2	3		1	2	3	4	1	2
1	GW0001R		Rear window defogger switch	0.2	0.4	0.5	-	0.1	0.1	0.1	-	0.1	0.1
2	GW0002A		Front door glass Assy	-	-	0.4	-	0.3	0.3	-	-	0.3	0.3
	GW0002R		Front door glass Assy	0.6	0.8	0.5	0.5	0.5	0.5	0.3	0.3	0.5	0.5
3	GW0003R		Front door regulator and motor Assy	0.6	0.8	0.5	0.6	0.6	0.6	0.5	0.4	0.6	0.6
4	GW0004A		Rear door glass Assy	-	-	0.4	-	0.2	0.2	-	-	0.2	0.2
	GW0004R		Rear door glass Assy	1.0	1.0	0.6	0.6	0.4	0.4	0.3	0.3	0.4	0.4
5	GW0005R		Rear door regulator and motor Assy	0.6	0.6	0.5	0.6	0.5	0.5	0.4	0.4	0.5	0.5
6	GW0006R		Front windshield	2.5	2.6	3.8	2.8	3.6	3.3	3.3	3.3	3.6	3.3
	GW0006R	Eye sight	Front windshield	-	-	-	-	-	-	-	-	-	-
7	GW0007R		Rear gate glass and molding	2.7	2.7	1.8	2.6	3.4	3.4	3.0	3.0	3.4	3.4
8	GW0008R		Rear quarter glass	1.2	-	0.6	-	2.1	2.1	1.8	1.8	2.1	2.1
9	GW0009R		Rear window glass	-	-	-	-	3.3	3.3	-	-	3.3	3.3
10	GW0010R		Room mirror	0.2	0.3	0.2	0.2	0.1	0.1	0.1	0.1	0.1	0.1
11	GW0011R		Power window main switch	0.3	0.3	0.3	0.2	0.1	0.1	0.1	0.2	0.3	0.1
12	GW0012R		Front power window sub switch	0.3	0.3	0.3	0.2	0.1	0.1	0.1	0.2	0.3	0.1
13	GW0013R		Rear power window sub switch	0.3	0.3	-	0.2	0.1	0.1	0.1	0.1	0.3	0.1
14*	GW0014R		Power window relay	-	-	0.2	-	0.4	0.4	0.1	0.4	0.1	0.4
15	GW0015R		Power window breaker	-	-	-	-	0.2	0.2	0.2	0.2	0.1	0.2
16	GW0016R		Outer mirror Assy / Manual	0.3	0.3	-	-	0.2	0.2	-	-	0.2	0.2
17	GW0017R		Outer mirror Assy / Electrical	0.2	0.4	0.3	0.4	0.2	0.2	0.2	0.2	0.2	0.2
18	GW0018R		Remote controlled rear view mirror switch	0.2	0.2	0.2	-	0.2	0.2	0.2	0.2	0.2	0.2
19	GW0019R		Side window glass / Openable type	0.4	-	-	-	-	-	-	-	-	-
20	GW0020R		Side window weatherstrip / Openable	0.5	-	-	-	-	-	-	-	-	-
21	GW0021R		Side window lock and hinge / Openable	0.2	-	-	-	-	-	-	-	-	-
22	GW0022R		Rear door partition glass	0.5	-	-	-	-	-	-	-	-	-
23	GW0023R		Door sash / Front	-	0.5	-	-	0.6	0.7	0.4	0.4	0.6	0.7
24	GW0024R		Door sash / Rear	-	-	-	-	0.6	0.7	0.4	0.4	0.6	0.7
25	GW0025R		Door regulator Assy / Front	-	0.3	0.5	-	0.5	0.5	0.4	0.4	0.5	0.5
26	GW0026R		Door regulator Assy / Rear	-	0.3	0.5	0.6	0.3	0.3	0.4	0.4	0.3	0.3
27	GW0027R		Door glass Assy / Upper	-	-	-	-	-	-	-	-	-	-
28	GW0028R		Door glass Assy / Lower	-	-	-	-	-	-	-	-	-	-
29	GW0029R		Rear quarter Upper glass	-	-	-	-	-	-	-	-	-	-
30	GW0030R		Rear quarter Lower glass	-	-	-	-	-	-	-	-	-	-
31	GW0031R		Outer mirror cap cover	-	-	-	-	-	-	0.2	0.2	-	-
32	GW0032R		Front quarter fixed glass	-	-	-	-	-	-	-	-	-	-
33	GW0033R		Rear quarter fixed glass	-	-	-	2.0	-	-	1.6	1.8	-	-
34	GW0034R		Front door partition glass	-	-	-	-	-	-	-	0.4	-	-
	GW0999Z		Other	**	**	**	**	**	**	**	**	**	**

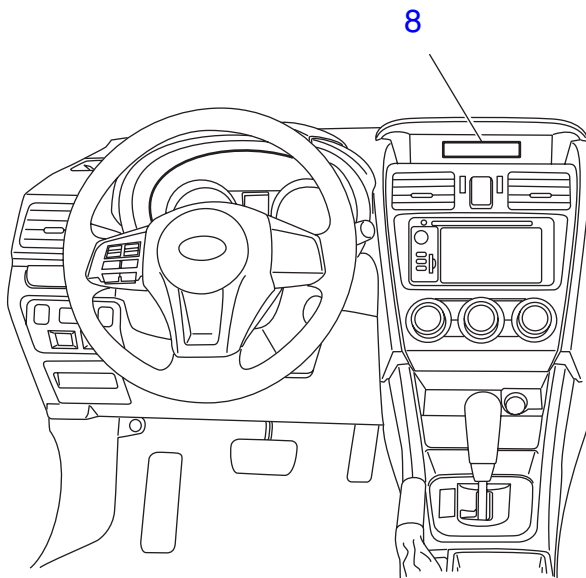
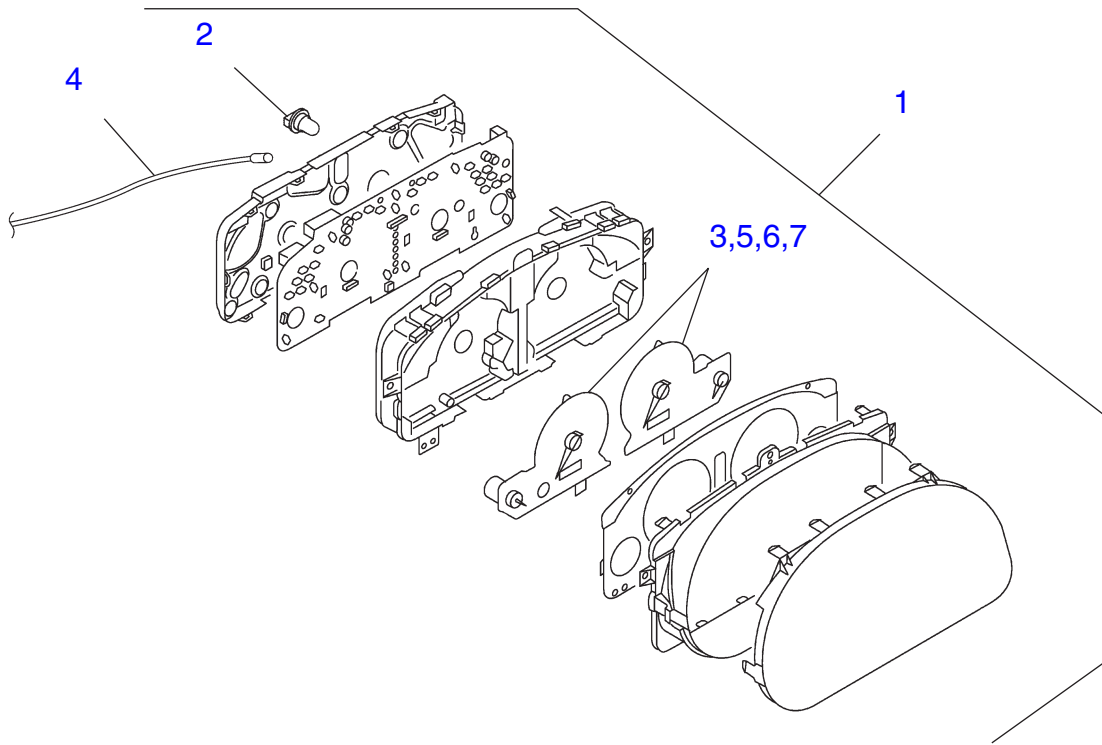
GW

No.	Work No.	Vehicle Information	Work Description	TIME (HOURS)										
				LEGACY			FORESTER			TRIB ECA	EXI GA	SVX		
				3	4	5	1	2	3					
1	GW0001R		Rear window defogger switch	0.1	0.1	0.1	0.1	0.1	0.1	0.1	0.1	0.1	0.1	0.2
2	GW0002A		Front door glass Assy	0.3	0.3	-	0.3	0.3	-	-	-	-	-	-
	GW0002R		Front door glass Assy	0.5	0.4	0.3	0.5	0.5	0.3	0.4	0.3	-	-	-
3	GW0003R		Front door regulator and motor Assy	0.8	0.6	0.5	0.6	0.6	0.5	0.6	0.5	-	-	-
4	GW0004A		Rear door glass Assy	0.2	0.2	-	0.2	0.2	-	-	-	-	-	-
	GW0004R		Rear door glass Assy	0.5	0.5	0.3	0.4	0.4	0.3	0.5	0.3	-	-	-
5	GW0005R		Rear door regulator and motor Assy	0.5	0.5	0.6	0.5	0.5	0.4	0.5	0.4	-	-	-
6	GW0006R		Front windshield	3.3	3.3	3.3	3.6	3.6	3.3	3.3	3.3	3.3	3.3	3.7
	GW0006R	Eye sight	Front windshield	-	-	4.6	-	-	-	-	-	-	-	-
7	GW0007R		Rear gate glass and molding	3.4	3.4	3.0	3.4	3.4	3.0	3.3	3.0	-	-	-
8	GW0008R		Rear quarter glass	2.1	2.1	1.6	2.1	2.1	1.8	-	2.1	-	-	-
9	GW0009R		Rear window glass	3.3	3.3	-	-	-	-	-	-	-	-	-
10	GW0010R		Room mirror	0.1	0.1	0.1	0.1	0.1	0.1	0.1	0.1	0.1	0.1	0.1
11	GW0011R		Power window main switch	0.1	0.2	0.1	0.1	0.1	0.1	0.1	0.1	0.1	0.1	0.2
12	GW0012R		Front power window sub switch	0.1	0.2	0.1	0.1	0.1	0.1	0.1	0.1	0.1	0.1	0.2
13	GW0013R		Rear power window sub switch	0.1	0.1	0.1	0.1	0.1	0.1	0.1	0.1	0.1	0.1	0.4
14*	GW0014R		Power window relay	0.4	0.4	0.1	0.4	0.4	0.1	0.4	0.1	0.1	0.1	0.4
15	GW0015R		Power window breaker	0.2	0.2	0.2	0.2	0.2	0.2	0.2	0.2	0.2	0.2	0.4
16	GW0016R		Outer mirror Assy / Manual	0.2	0.2	-	0.2	0.2	-	0.2	-	-	-	-
17	GW0017R		Outer mirror Assy / Electrical	0.2	0.3	0.2	0.2	0.2	0.2	0.2	0.2	0.2	0.2	0.4
18	GW0018R		Remote controlled rear view mirror switch	0.2	0.2	0.2	0.2	0.2	0.2	0.2	0.2	0.2	0.2	0.2
19	GW0019R		Side window glass / Openable type	-	-	-	-	-	-	-	-	-	-	-
20	GW0020R		Side window weatherstrip / Openable	-	-	-	-	-	-	-	-	-	-	-
21	GW0021R		Side window lock and hinge / Openable	-	-	-	-	-	-	-	-	-	-	-
22	GW0022R		Rear door partition glass	-	-	0.4	-	-	-	-	-	-	-	-
23	GW0023R		Door sash / Front	0.7	0.7	0.4	0.6	0.7	0.4	0.4	0.4	-	-	-
24	GW0024R		Door sash / Rear	0.7	0.7	0.4	0.6	0.7	0.4	0.4	0.4	-	-	-
25	GW0025R		Door regulator Assy / Front	0.5	0.5	0.4	0.5	0.5	0.4	0.6	0.4	0.6	0.4	0.6
26	GW0026R		Door regulator Assy / Rear	0.3	0.3	0.4	0.3	0.3	0.4	0.6	0.4	0.4	0.4	1.1
27	GW0027R		Door glass Assy / Upper	-	-	-	-	-	-	-	-	-	-	1.7
28	GW0028R		Door glass Assy / Lower	-	-	-	-	-	-	-	-	-	-	0.4
29	GW0029R		Rear quarter Upper glass	-	-	-	-	-	-	-	-	-	-	1.5
30	GW0030R		Rear quarter Lower glass	-	-	-	-	-	-	-	-	-	-	1.1
31	GW0031R		Outer mirror cap cover	-	0.2	0.2	-	-	0.2	0.2	0.2	0.2	-	-
32	GW0032R		Front quarter fixed glass	-	-	-	-	-	-	0.7	-	-	-	-
33	GW0033R		Rear quarter fixed glass	-	-	1.6	-	-	1.6	1.0	-	-	-	-
34	GW0034R		Front door partition glass	-	-	-	-	-	-	-	-	-	-	-
	GW0999Z		Other	**	**	**	**	**	**	**	**	**	**	**

IDI

INSTRUMENTATION / DRIVER INFO





IDI

No.	Work No.	Vehicle Information	Work Description	TIME (HOURS)									
				Justy			TRE ZIA	IMPREZA				LEGACY	
				1	2	3		1	2	3	4	1	2
1	IDI001R		Combination meter Assy	0.5	0.9	0.3	0.4	0.4	0.4	0.2	0.2	0.4	0.4
2	IDI002R		Combination meter illumination light bulb	0.6	0.4	0.4	-	0.5	0.5	-	-	0.5	0.5
3	IDI003R		Speedometer	0.7	0.4	-	-	0.6	0.6	-	-	0.6	0.6
4	IDI004R		Speedometer cable Assy	0.6	-	0.7	-	0.4	-	-	-	0.4	0.4
5	IDI005R		Tachometer	0.3	0.4	0.4	-	0.6	0.6	-	-	0.6	0.6
6	IDI006R		Temperature and / or fuel gauge (meter)	0.7	0.4	-	-	0.6	0.6	-	-	0.6	0.6
7	IDI007R		Water temperature gauge	0.4	-	-	-	0.6	0.6	-	-	0.6	0.6
8	IDI008R		Multi information display	-	-	-	-	-	-	-	0.3	-	-
	IDI999Z		Other	**	**	**	**	**	**	**	**	**	**

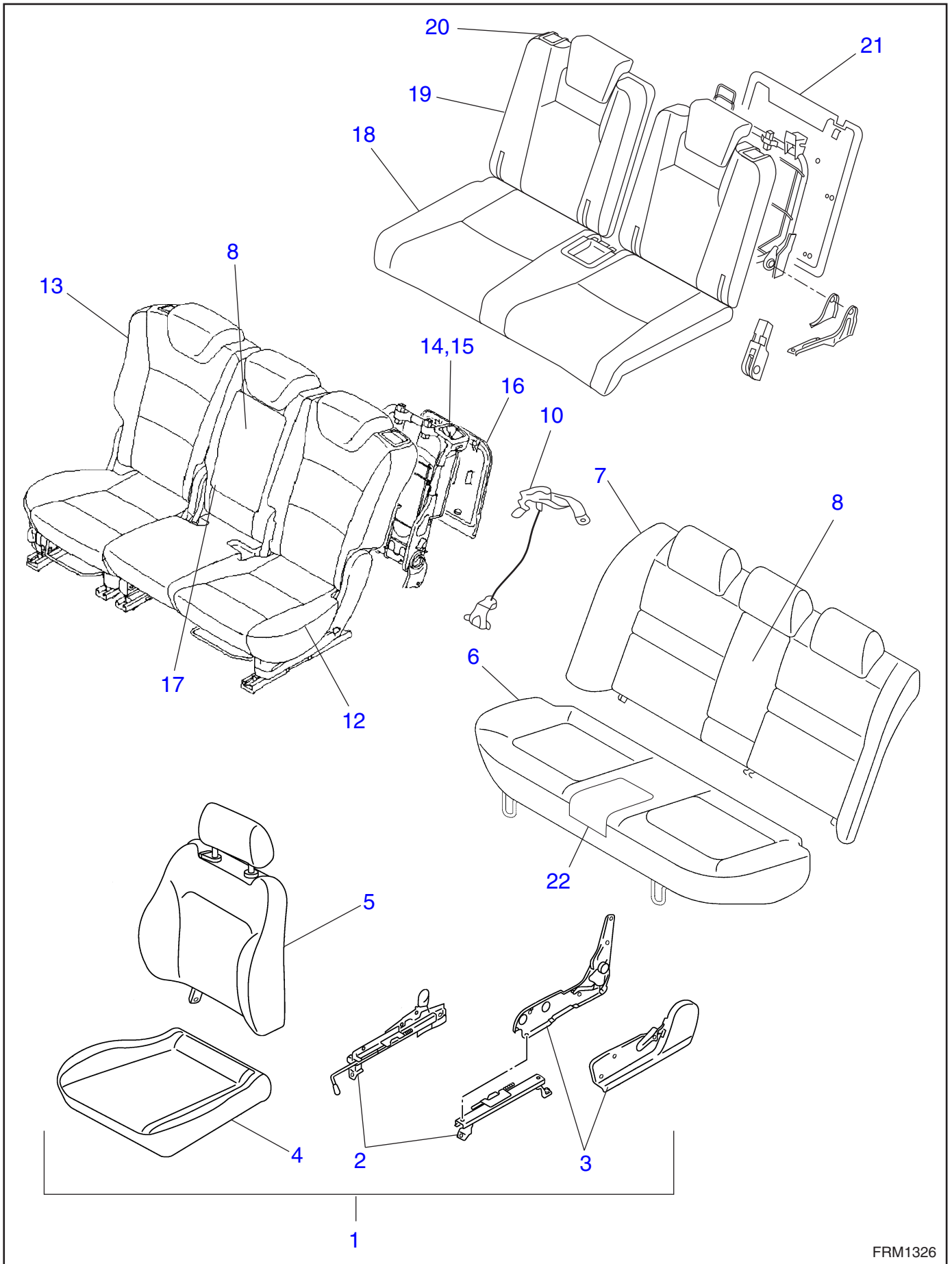
IDI

No.	Work No.	Vehicle Information	Work Description	TIME (HOURS)								
				LEGACY			FORESTER			TRIB ECA	EXI GA	SVX
				3	4	5	1	2	3			
1	IDI001R		Combination meter Assy	0.3	0.3	0.3	0.2	0.2	0.2	0.3	0.2	0.8
2	IDI002R		Combination meter illumination light bulb	0.4	-	-	0.3	0.3	-	-	-	0.9
3	IDI003R		Speedometer	0.5	-	-	0.4	0.4	-	-	-	1.0
4	IDI004R		Speedometer cable Assy	-	-	-	0.4	-	-	-	-	0.5
5	IDI005R		Tachometer	0.6	-	-	0.4	0.4	-	-	-	1.0
6	IDI006R		Temperature and / or fuel gauge (meter)	0.6	-	-	0.4	0.4	-	-	-	1.0
7	IDI007R		Water temperature gauge	0.6	-	-	0.4	0.4	-	-	-	1.0
8	IDI008R		Multi information display	-	-	-	-	-	-	-	-	-
	IDI999Z		Other	**	**	**	**	**	**	**	**	**

SE

SEATS





SE

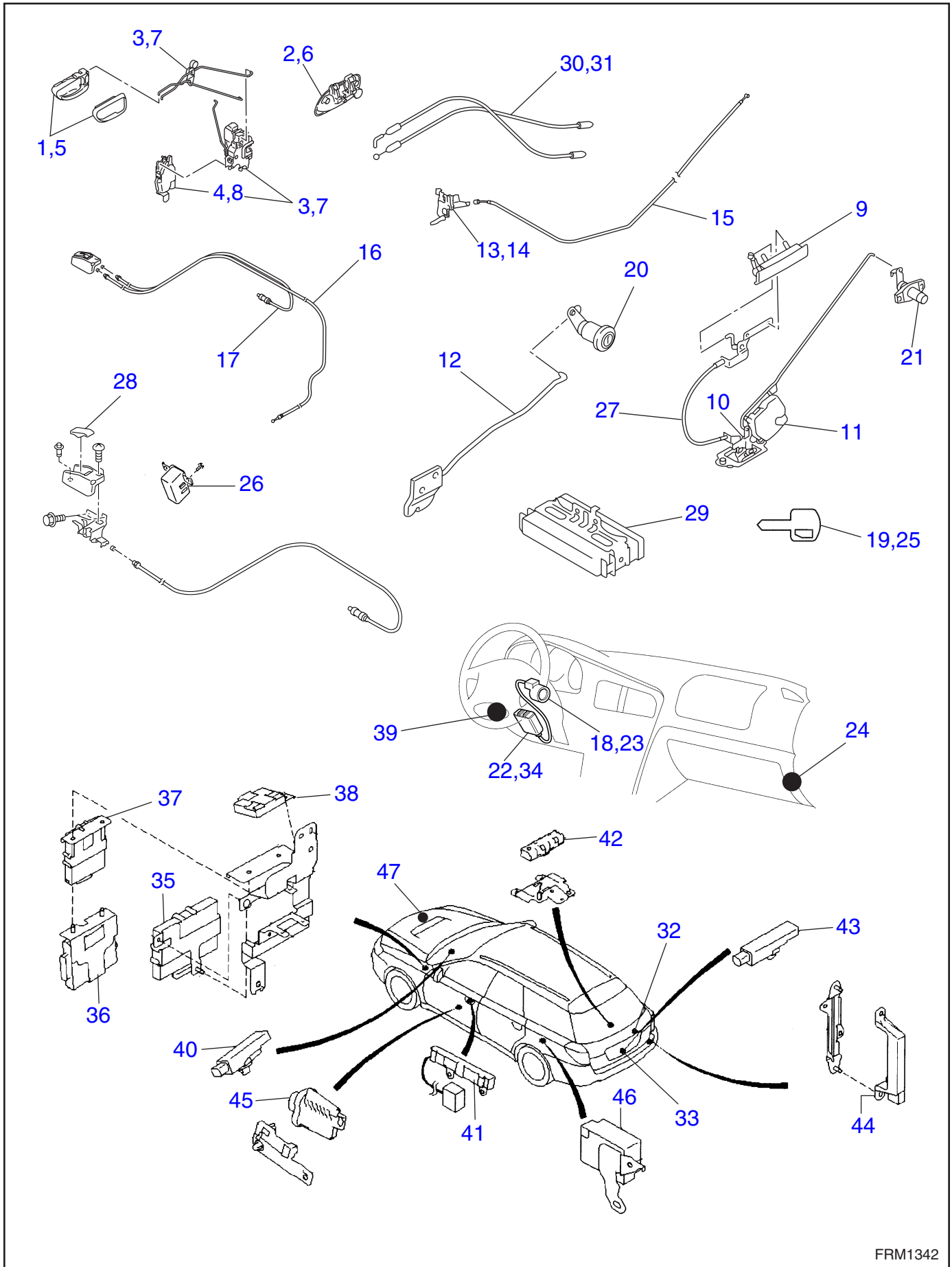
No.	Work No.	Vehicle Information	Work Description	TIME (HOURS)										
				Justy			TRE ZIA	IMPREZA				LEGACY		
				1	2	3		1	2	3	4	1	2	
1	SE0001R		Front seat Assy	0.5	0.8	0.3	0.3	0.3	0.3	0.3	0.3	0.3	0.3	0.3
2	SE0002R		Front seat rail	0.4	0.8	0.6	-	0.3	0.3	0.4	0.4	0.3	0.3	0.3
3	SE0003R		Front seat hinge	0.6	0.6	-	-	0.3	0.3	0.5	0.5	0.3	0.3	0.3
4	SE0004R		Front seat cushion Assy	0.8	1.2	0.5	0.5	0.9	0.9	-	-	0.9	0.9	0.9
5	SE0005R		Front seat backrest Assy	0.4	0.9	0.5	0.5	0.7	0.7	-	-	0.7	0.7	0.7
6	SE0006R		Rear seat cushion Assy	0.2	0.3	0.2	0.9	0.1	0.1	0.1	0.1	0.1	0.1	0.1
7	SE0007R		Rear seat backrest Assy	0.5	0.6	0.3	1.0	0.2	0.3	0.2	0.2	0.2	0.2	0.3
8	SE0008R		Arm rest	0.2	-	-	-	0.2	0.2	0.3	0.1	0.2	0.2	0.2
10	SE0010R		Rear seat reclining actuator	-	-	-	-	-	-	-	-	-	-	-
12	SE0012R		2nd seat Assy LH	-	-	0.5	-	-	-	-	-	-	-	-
13	SE0013R		2nd seat Assy RH	-	-	0.5	-	-	-	-	-	-	-	-
14	SE0014R		2nd seat reclining lever	-	-	-	-	-	-	-	-	-	-	-
15	SE0015R		2nd seat folding wire	-	-	-	-	-	-	-	-	-	-	-
16	SE0016R		2nd seat backboard	-	-	-	-	-	-	-	-	-	-	-
17	SE0017R		2nd seat arm rest hinge	-	-	-	-	-	-	-	-	-	-	-
18	SE0018R		3rd seat cushion Assy	-	-	-	-	-	-	-	-	-	-	-
19	SE0019R		3rd seat backrest Assy	-	-	-	-	-	-	-	-	-	-	-
20	SE0020R		3rd seat folding lever	-	-	-	-	-	-	-	-	-	-	-
21	SE0021R		3rd seat backboard	-	-	-	-	-	-	-	-	-	-	-
22	SE0022R		Seat cushion table	-	-	-	-	-	-	-	-	-	-	-
	SE0999Z		Other	**	**	**	**	**	**	**	**	**	**	**

SE

No.	Work No.	Vehicle Information	Work Description	TIME (HOURS)										
				LEGACY			FORESTER			TRIB ECA	EXI GA	SVX		
				3	4	5	1	2	3					
1	SE0001R		Front seat Assy	0.3	0.3	0.3	0.3	0.3	0.3	0.3	0.3	0.3	0.3	0.3
2	SE0002R		Front seat rail	0.3	0.3	0.4	0.3	0.3	0.4	0.3	0.4	0.3	0.4	0.4
3	SE0003R		Front seat hinge	0.3	0.3	0.5	0.3	0.3	0.5	0.3	0.5	0.3	0.5	0.4
4	SE0004R		Front seat cushion Assy	0.9	-	-	0.9	0.9	-	0.9	-	0.9	-	0.9
5	SE0005R		Front seat backrest Assy	0.7	-	-	0.7	0.7	-	0.7	-	0.7	-	0.8
6	SE0006R		Rear seat cushion Assy	0.1	0.1	0.1	0.1	0.1	0.1	-	-	-	-	0.1
7	SE0007R		Rear seat backrest Assy	0.3	0.4	0.2	0.4	0.3	0.2	-	-	-	-	0.2
8	SE0008R		Arm rest	0.2	0.2	0.3	0.2	0.2	0.3	0.2	-	-	-	0.2
10	SE0010R		Rear seat reclining actuator	-	0.9	0.9	-	-	0.9	-	-	-	-	-
12	SE0012R		2nd seat Assy LH	-	-	-	-	-	-	0.5	0.3	-	-	-
13	SE0013R		2nd seat Assy RH	-	-	-	-	-	-	0.4	0.3	-	-	-
14	SE0014R		2nd seat reclining lever	-	-	-	-	-	-	0.1	-	-	-	-
15	SE0015R		2nd seat folding wire	-	-	-	-	-	-	0.4	-	-	-	-
16	SE0016R		2nd seat backboard	-	-	-	-	-	-	0.2	0.7	-	-	-
17	SE0017R		2nd seat arm rest hinge	-	-	-	-	-	-	0.4	0.1	-	-	-
18	SE0018R		3rd seat cushion Assy	-	-	-	-	-	-	0.1	1.6	-	-	-
19	SE0019R		3rd seat backrest Assy	-	-	-	-	-	-	0.3	1.2	-	-	-
20	SE0020R		3rd seat folding lever	-	-	-	-	-	-	0.1	-	-	-	-
21	SE0021R		3rd seat backboard	-	-	-	-	-	-	0.2	-	-	-	-
22	SE0022R		Seat cushion table	-	-	-	-	-	0.1	-	-	-	-	-
	SE0999Z		Other	**	**	**	**	**	**	**	**	**	**	**

SL

SECURITY AND LOCKS



FRM1342

SL

No.	Work No.	Vehicle Information	Work Description	TIME (HOURS)										
				Justy			TRE ZIA	IMPREZA				LEGACY		
				1	2	3		1	2	3	4	1	2	
1	SL0001R		Door inner remote Assy / Front	0.7	0.6	0.4	0.3	0.3	0.3	0.3	0.3	0.3	0.3	0.3
2	SL0002R		Door outer handle Assy / Front	0.4	0.5	0.5	0.7	0.4	0.8	0.4	0.4	0.4	0.4	0.8
3	SL0003R		Door latch Assy and / or actuator / Front	0.6	0.7	0.6	0.7	0.4	0.5	0.4	0.4	0.4	0.4	0.5
4	SL0004R		Auto door lock actuator switch / Front	-	-	0.6	-	0.6	0.6	-	-	0.6	0.6	
5	SL0005R		Door inner remote Assy / Rear	-	0.5	-	-	0.2	0.2	0.2	0.1	0.2	0.2	
6	SL0006R		Door outer handle Assy / Rear	0.5	0.7	0.5	0.7	0.4	0.7	0.3	0.4	0.4	0.4	0.7
7	SL0007R		Door latch Assy and / or actuator / Rear	0.4	0.8	0.6	0.6	0.6	0.6	0.5	0.5	0.6	0.6	
8	SL0008R		Auto door lock actuator switch / Rear	0.3	0.2	0.6	-	0.5	0.5	-	-	0.5	0.5	
9	SL0009R		Rear gate outer handle	-	0.3	-	-	0.2	0.2	-	-	0.2	0.2	
10	SL0010R		Rear gate latch Assy	0.3	0.3	-	-	0.3	0.3	0.2	0.2	0.2	0.3	
11	SL0011R		Rear gate lock Assy	0.3	0.3	-	0.4	0.3	0.3	-	-	0.3	0.3	
12	SL0012R		Trunk lid lock Assy	-	-	-	-	0.3	0.3	-	-	0.3	0.3	
13	SL0013R		Front hood lock Assy	0.2	0.5	0.5	0.4	0.1	0.2	0.4	0.3	0.1	0.1	
14	SL0014A		Front hood lock Assy adjustment	-	-	-	-	0.2	0.2	0.2	0.2	0.2	0.2	
15	SL0015R		Front hood release cable	0.5	0.6	0.7	0.8	0.9	0.3	0.9	0.7	0.3	0.3	
16	SL0016R		Trunk lid opener cable	-	-	-	-	0.8	0.8	-	0.8	0.8	0.8	
17	SL0017R		Fuel flap cable	-	-	-	-	0.8	0.8	0.7	0.8	0.8	0.8	
18	SL0018R		Ignition switch (with steering lock Assy)	0.6	0.8	0.6	1.3	0.9	0.9	0.4	0.4	0.9	0.9	
19	SL0019R		Door key lock Assy	0.4	0.5	0.4	0.2	0.5	0.5	0.5	0.5	0.5	0.5	
20	SL0020R		Trunk key cylinder	-	-	0.4	-	0.2	0.2	-	-	0.2	0.2	
21	SL0021R		Rear gate key cylinder built in rear gate latch	0.3	0.3	0.3	-	0.6	0.1	-	-	0.1	0.1	
22	SL0022R		Immobilizer control module	-	0.3	-	4.7	0.2	0.2	-	-	0.2	0.2	
	SL0022Z		Make a registration of immobilizer	-	-	-	-	-	0.2	0.2	0.2	-	-	
23	SL0023R		Immobilizer antenna	-	-	-	-	0.3	0.3	0.3	-	0.3	0.3	
24	SL0024R		Keyless entry CM	-	-	-	-	0.4	0.4	0.4	0.5	0.4	0.4	
25	SL0025R		Keyless transmitter battery	-	0.1	0.1	0.2	0.1	0.1	0.1	0.1	0.1	0.1	
26	SL0026R		Door lock timer	-	-	-	-	0.5	0.5	-	-	0.5	0.5	
27	SL0027R		Rear gate opener cable	-	-	-	-	0.6	0.6	-	-	0.6	0.6	
28	SL0028R		Rear gate opener lever	-	-	-	-	0.1	0.1	-	-	0.1	0.1	
29	SL0029R		Integrated control module	-	-	-	0.4	-	-	0.2	0.5	-	-	
30	SL0030R		Front door remote cable	-	-	-	-	-	-	-	-	-	-	
31	SL0031R		Rear door remote cable	-	-	-	-	-	-	-	-	-	-	
32	SL0032R		Rear gate opener switch	-	-	-	-	-	-	0.4	0.3	-	-	
33	SL0033R		Rear gate actuator	-	-	-	-	-	-	0.4	0.2	-	-	
34	SL0034R		Body integrated unit	-	-	-	-	-	0.3	-	-	-	-	
35	SL0035R		Collation CM	-	-	-	-	-	-	0.4	0.4	-	-	
36	SL0036R		Power supply CM	-	-	-	-	-	-	0.4	0.4	-	-	
37	SL0037R		Gateway CM	-	-	-	-	-	-	0.4	0.4	-	-	
38	SL0038R		ID code box	-	-	-	-	-	-	0.4	0.4	-	-	
39	SL0039R		Push button ignition switch	-	-	-	0.2	-	-	0.1	0.2	-	-	

SL

No.	Work No.	Vehicle Information	Work Description	TIME (HOURS)									
				LEGACY			FORESTER			TRIB ECA	EXI GA	SVX	
				3	4	5	1	2	3				
1	SL0001R		Door inner remote Assy / Front	0.3	0.3	0.3	0.3	0.3	0.3	0.3	0.3	0.3	0.3
2	SL0002R		Door outer handle Assy / Front	0.8	0.7	0.4	0.4	0.8	0.4	0.4	0.4	0.4	0.4
3	SL0003R		Door latch Assy and / or actuator / Front	0.5	0.5	0.4	0.4	0.5	0.4	0.5	0.4	0.4	0.5
4	SL0004R		Auto door lock actuator switch / Front	0.6	0.6	0.6	0.6	0.6	-	-	-	-	0.8
5	SL0005R		Door inner remote Assy / Rear	0.2	0.2	0.2	0.2	0.2	0.2	0.2	0.2	0.2	-
6	SL0006R		Door outer handle Assy / Rear	0.7	0.3	0.3	0.4	0.7	0.3	0.3	0.3	0.3	-
7	SL0007R		Door latch Assy and / or actuator / Rear	0.6	0.3	0.5	0.6	0.6	0.5	0.3	0.5	0.5	-
8	SL0008R		Auto door lock actuator switch / Rear	0.5	0.5	0.5	0.5	0.5	-	0.5	-	-	-
9	SL0009R		Rear gate outer handle	0.2	0.2	0.1	0.2	0.2	-	0.2	-	-	-
10	SL0010R		Rear gate latch Assy	0.3	0.3	0.3	0.2	0.3	0.3	0.3	0.3	0.3	-
11	SL0011R		Rear gate lock Assy	0.3	0.3	-	0.3	0.3	-	0.3	-	-	-
12	SL0012R		Trunk lid lock Assy	0.3	0.4	0.3	-	-	-	-	-	-	0.3
13	SL0013R		Front hood lock Assy	0.2	0.2	0.2	0.1	0.2	0.4	0.2	0.4	0.4	0.3
14	SL0014A		Front hood lock Assy adjustment	0.2	0.2	0.2	0.2	0.2	0.2	0.2	0.2	0.2	0.2
15	SL0015R		Front hood release cable	0.3	0.3	0.3	0.3	0.3	0.9	0.3	0.9	0.9	0.8
16	SL0016R		Trunk lid opener cable	0.8	0.8	-	-	-	-	-	-	-	1.0
17	SL0017R		Fuel flap cable	0.8	0.8	0.7	0.8	0.8	0.7	1.1	1.0	1.0	0.9
18	SL0018R		Ignition switch (with steering lock Assy)	0.9	0.9	0.4	0.9	0.9	0.4	0.9	0.4	0.4	1.4
19	SL0019R		Door key lock Assy	0.5	0.5	0.5	0.5	0.5	0.5	0.5	0.5	0.5	0.2
20	SL0020R		Trunk key cylinder	0.2	0.2	-	-	-	-	-	-	-	0.2
21	SL0021R		Rear gate key cylinder built in rear gate latch	0.1	0.1	-	0.3	0.1	-	0.2	-	-	-
22	SL0022R		Immobilizer control module	0.2	-	-	0.2	0.2	-	-	-	-	-
	SL0022Z		Make a registration of immobilizer	0.2	0.2	0.2	-	0.2	0.2	0.2	0.2	0.2	-
23	SL0023R		Immobilizer antenna	0.3	0.3	-	0.3	0.3	0.3	0.3	-	-	-
24	SL0024R		Keyless entry CM	0.4	0.4	0.5	0.4	0.4	0.4	0.4	0.5	0.5	0.5
25	SL0025R		Keyless transmitter battery	0.1	0.1	0.1	0.1	0.1	0.1	0.1	0.1	0.1	0.1
26	SL0026R		Door lock timer	0.5	-	-	0.5	0.5	-	-	-	-	0.5
27	SL0027R		Rear gate opener cable	0.6	0.6	-	0.6	0.6	-	-	-	-	-
28	SL0028R		Rear gate opener lever	0.1	0.1	-	0.1	0.1	-	-	-	-	-
29	SL0029R		Integrated control module	-	0.2	0.2	-	-	0.2	0.3	0.2	-	-
30	SL0030R		Front door remote cable	-	0.7	-	-	-	-	-	-	-	-
31	SL0031R		Rear door remote cable	-	0.4	-	-	-	-	-	-	-	-
32	SL0032R		Rear gate opener switch	-	-	0.5	-	-	0.5	0.3	0.5	-	-
33	SL0033R		Rear gate actuator	-	0.3	0.3	-	0.5	0.3	0.3	0.5	-	-
34	SL0034R		Body integrated unit	0.3	0.3	0.3	0.3	0.3	-	0.6	0.3	-	-
35	SL0035R		Collation CM	-	0.5	0.3	-	-	0.4	-	0.4	-	-
36	SL0036R		Power supply CM	-	0.5	0.4	-	-	0.4	-	0.4	-	-
37	SL0037R		Gateway CM	-	0.5	0.4	-	-	0.4	-	0.4	-	-
38	SL0038R		ID code box	-	0.5	0.4	-	-	0.4	-	0.4	-	-
39	SL0039R		Push button ignition switch	-	0.2	0.1	-	-	0.1	-	0.1	-	-

SL

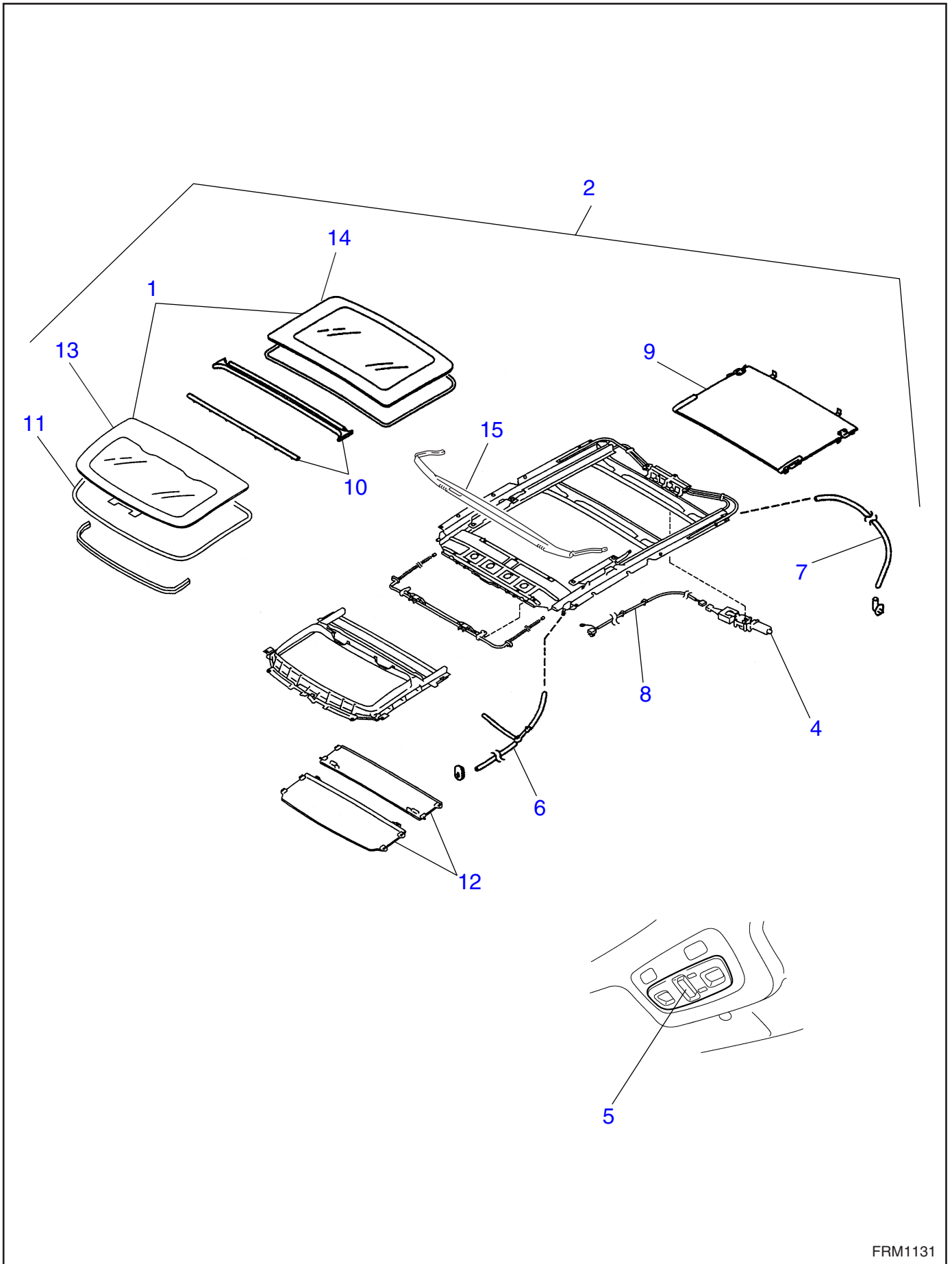
No.	Work No.	Vehicle Information	Work Description	TIME (HOURS)									
				Justy			TRE ZIA	IMPREZA				LEGACY	
				1	2	3		1	2	3	4	1	2
40	SL0040R		Front interior antenna	-	-	-	-	-	-	0.2	0.4	-	-
41	SL0041R		Front exterior antenna	-	-	-	-	-	-	-	0.4	-	-
42	SL0042R		Center interior antenna	-	-	-	-	-	-	0.1	0.1	-	-
43	SL0043R		Rear interior antenna	-	-	-	-	-	-	0.1	-	-	-
44	SL0044R		Rear exterior antenna	-	-	-	-	-	-	0.2	0.5	-	-
45	SL0045R		Oscillator	-	-	-	-	-	-	-	-	-	-
46	SL0046R		Receiver	-	-	-	0.5	-	-	0.3	0.5	-	-
47	SL0047R		Access buzzer	-	-	-	-	-	-	0.4	-	-	-
	SL0999Z		Other	**	**	**	**	**	**	**	**	**	**

SL

No.	Work No.	Vehicle Information	Work Description	TIME (HOURS)								
				LEGACY			FORESTER			TRIB ECA	EXI GA	SVX
				3	4	5	1	2	3			
40	SL0040R		Front interior antenna	-	0.2	0.4	-	-	0.2	-	0.2	-
41	SL0041R		Front exterior antenna	-	0.2	0.2	-	-	-	-	-	-
42	SL0042R		Center interior antenna	-	0.1	0.1	-	-	0.1	-	0.2	-
43	SL0043R		Rear interior antenna	-	0.1	0.1	-	-	0.1	-	0.8	-
44	SL0044R		Rear exterior antenna	-	0.6	-	-	-	0.2	-	0.2	-
45	SL0045R		Oscillator	-	0.2	-	-	-	-	-	-	-
46	SL0046R		Receiver	-	0.4	0.6	-	-	0.2	-	0.4	-
47	SL0047R		Access buzzer	0.4	0.4	0.4	-	-	0.4	0.4	0.4	-
	SL0999Z		Other	**	**	**	**	**	**	**	**	**

SR

**SUNROOF / T-TOP /
CONVERTIBLE TOP (SUNROOF)**



SR

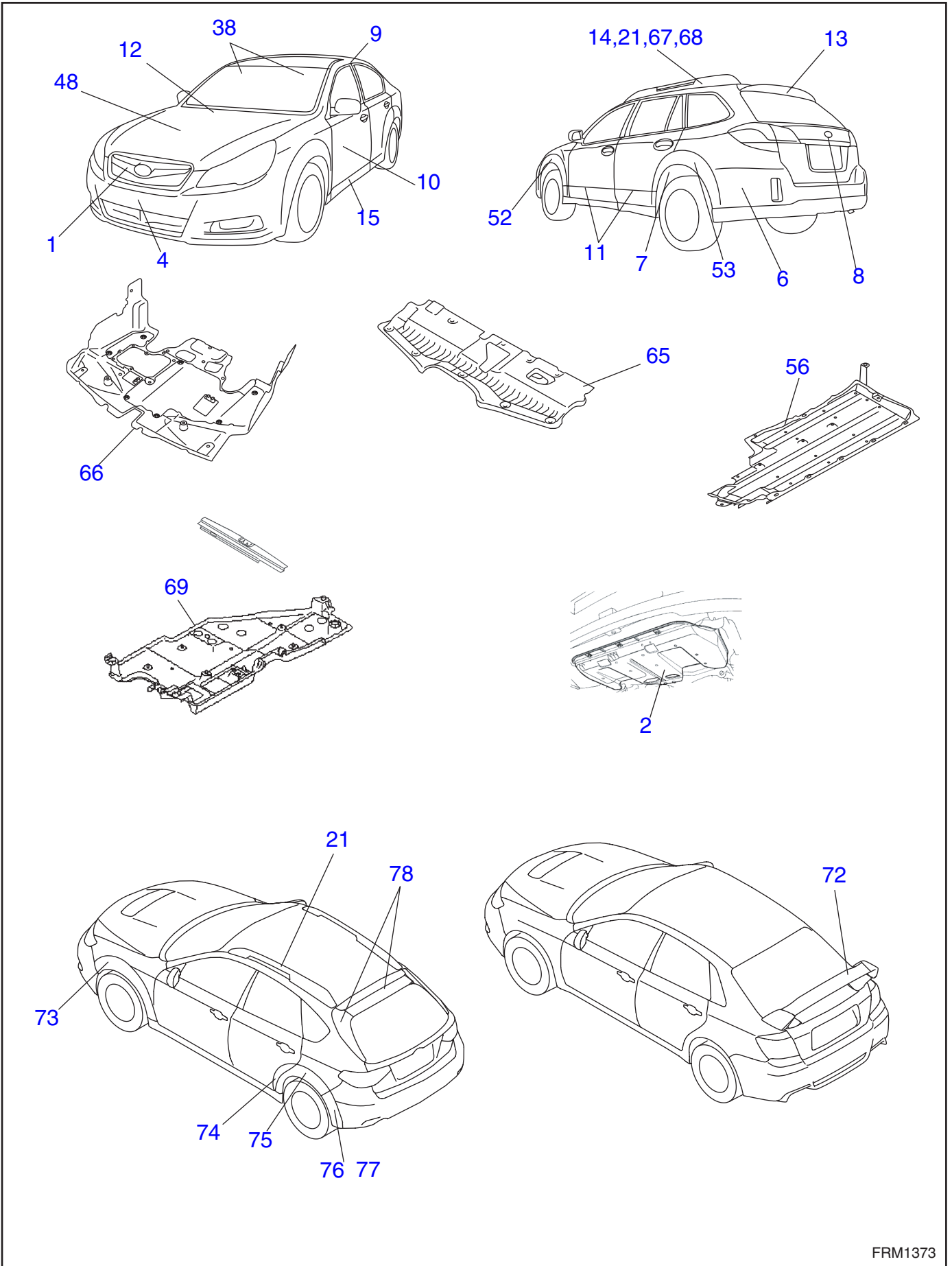
No.	Work No.	Vehicle Information	Work Description	TIME (HOURS)									
				Justy			TRE ZIA	IMPREZA				LEGACY	
				1	2	3		1	2	3	4	1	2
1	SR0001R		Sunroof lid Assy	-	-	-	-	0.3	0.3	0.2	0.2	0.3	0.3
2	SR0002R	SDN	Sunroof Assy	-	-	-	-	1.5	1.5	2.6	2.1	1.5	1.5
	SR0002R	WGN	Sunroof Assy	-	-	-	3.5	1.5	1.5	1.7	2.0	1.7	1.5
4	SR0004R	SDN	Sunroof motor Assy	-	-	-	-	-	-	0.2	0.2	1.9	1.9
	SR0004R	WGN	Sunroof motor Assy	-	-	-	2.2	0.9	0.9	1.7	0.2	2.7	2.7
5	SR0005R		Sunroof switch	-	-	-	-	0.1	0.1	0.1	0.1	0.1	0.1
6	SR0006R		Front drain hose	-	-	-	-	1.9	1.9	2.0	2.1	1.9	1.9
7	SR0007R		Rear drain hose	-	-	-	-	2.4	2.4	1.6	2.0	2.4	2.4
8	SR0008R		Sunroof harness	-	-	-	-	2.3	2.3	1.8	-	2.3	2.3
9	SR0009R		Sunroof trim	-	-	-	-	0.2	0.2	0.2	0.2	0.2	0.2
10	SR0010R		Retainer and molding	-	-	-	-	1.0	1.0	1.0	1.0	1.0	1.0
11	SR0011R		Sunroof garnish	-	-	-	-	0.2	0.2	-	-	0.2	0.2
12	SR0012R	SDN	Sun shade	-	-	-	-	-	1.7	2.3	1.7	0.8	1.2
	SR0012R	WGN	Sun shade	-	-	-	-	-	1.7	1.4	1.6	0.8	1.2
13	SR0013R		Front sunroof lid	-	-	-	-	-	-	-	-	-	0.2
14	SR0014R		Rear sunroof lid	-	-	-	-	-	-	-	-	-	0.2
15	SR0015R		Air deflector	-	-	-	-	-	-	0.2	0.1	-	-
	SR0999Z		Other	**	**	**	**	**	**	**	**	**	**

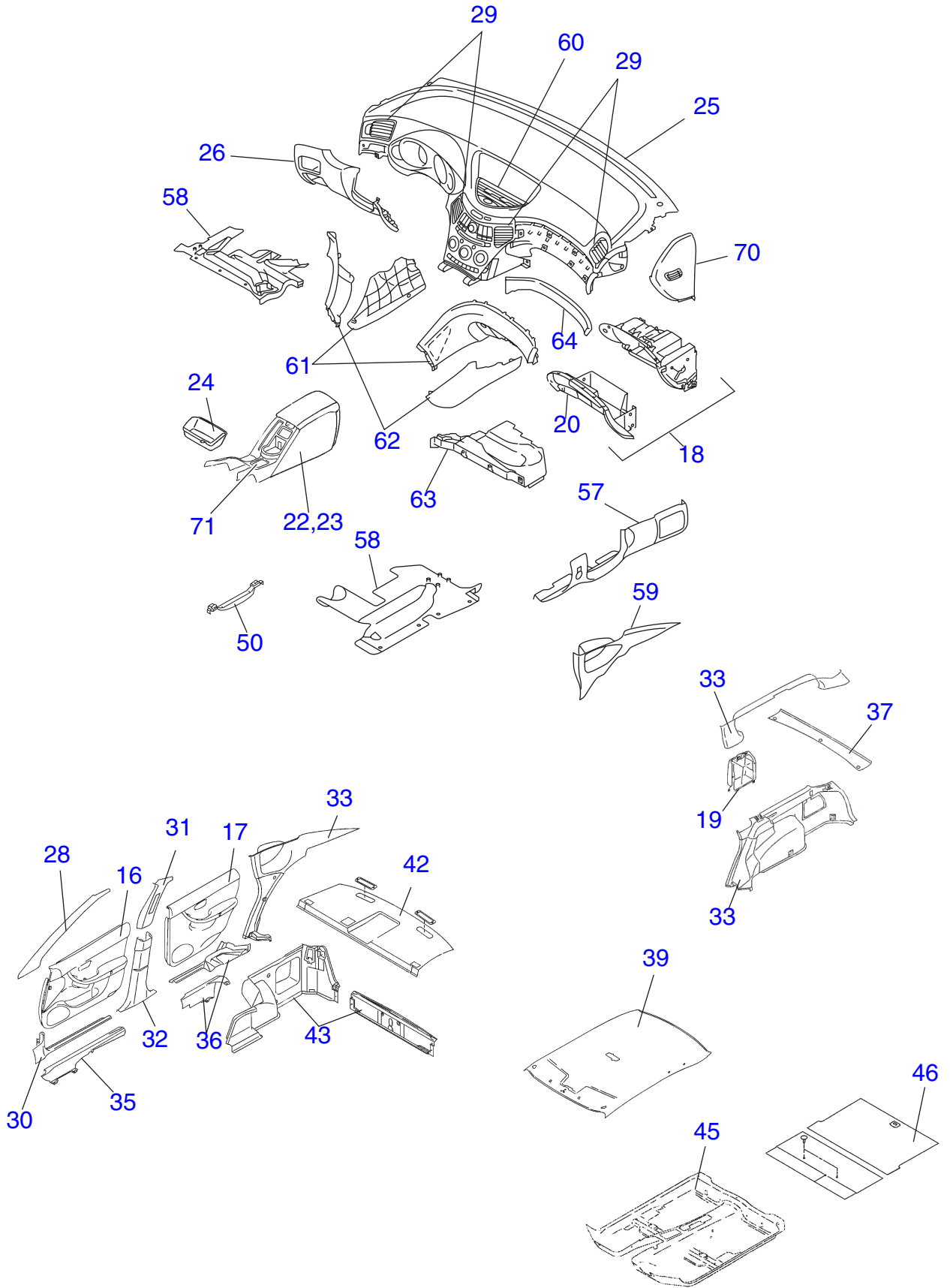
SR

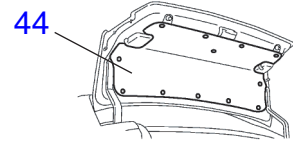
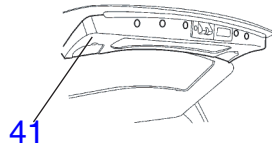
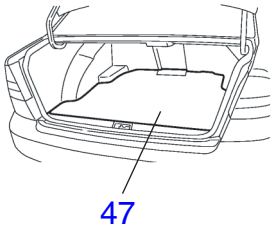
No.	Work No.	Vehicle Information	Work Description	TIME (HOURS)								
				LEGACY			FORESTER			TRIB ECA	EXI GA	SVX
				3	4	5	1	2	3			
1	SR0001R		Sunroof lid Assy	0.3	0.3	-	0.3	0.3	0.2	0.3	-	0.5
2	SR0002R	SDN	Sunroof Assy	1.5	3.0	2.8	-	-	-	-	-	-
	SR0002R	WGN	Sunroof Assy	1.5	1.5	1.9	1.5	1.5	2.2	2.0	-	2.1
4	SR0004R	SDN	Sunroof motor Assy	1.1	0.2	2.5	-	-	-	-	-	-
	SR0004R	WGN	Sunroof motor Assy	0.9	1.2	1.6	1.9	1.9	1.4	0.3	-	1.0
5	SR0005R		Sunroof switch	0.1	0.1	0.1	0.1	0.1	0.1	0.2	-	0.1
6	SR0006R		Front drain hose	1.9	1.9	2.7	1.9	1.9	1.6	0.7	-	2.3
7	SR0007R		Rear drain hose	2.4	2.4	2.7	2.4	2.4	1.6	1.0	-	2.6
8	SR0008R		Sunroof harness	2.3	2.3	-	2.3	2.3	1.8	2.3	-	2.3
9	SR0009R		Sunroof trim	0.2	0.2	0.2	0.2	0.2	0.2	0.2	-	0.2
10	SR0010R		Retainer and molding	1.0	1.0	1.0	1.0	1.0	1.0	1.0	-	1.2
11	SR0011R		Sunroof garnish	0.2	0.2	0.2	0.2	0.2	-	-	-	0.2
12	SR0012R	SDN	Sun shade	1.7	0.5	2.8	-	-	-	-	-	-
	SR0012R	WGN	Sun shade	1.7	0.5	1.9	-	1.7	1.7	0.3	-	-
13	SR0013R		Front sunroof lid	0.2	0.2	-	-	-	-	-	-	-
14	SR0014R		Rear sunroof lid	0.2	0.2	-	-	-	-	-	-	-
15	SR0015R		Air deflector	-	-	2.5	-	-	-	2.1	-	-
	SR0999Z		Other	**	**	**	**	**	**	**	**	**

EI

EXTERIOR / INTERIOR TRIM







EI

No.	Work No.	Vehicle Information	Work Description	TIME (HOURS)									
				Justy			TRE ZIA	IMPREZA				LEGACY	
				1	2	3		1	2	3	4	1	2
1	EI0001R		Front grille	0.4	0.7	-	0.7	0.1	0.1	0.4	0.4	0.1	0.1
2	EI0002R		Under cover / Front	-	-	-	-	0.2	0.2	0.2	0.2	0.2	0.2
4	EI0004R		Front bumper face	1.0	0.7	0.3	1.0	0.4	0.4	0.4	0.4	0.4	0.4
6	EI0006R		Rear bumper face	0.5	0.5	0.4	0.5	0.6	0.6	0.3	0.5	0.6	0.6
7	EI0007R		Mud guard	-	-	-	0.4	0.2	0.2	0.3	0.3	0.2	0.2
8	EI0008R		Rear ornament or letter mark	0.2	-	0.3	0.2	0.7	0.7	0.7	0.7	0.7	0.7
9	EI0009R		Door molding	-	-	-	0.5	0.3	0.3	-	-	0.3	0.3
10	EI0010R		Body side protector / One	0.2	-	-	-	0.2	0.2	-	-	0.2	0.2
11	EI0011R		Body side garnish	-	-	-	-	0.2	0.2	-	-	0.2	0.2
12	EI0012R		Cowl panel / Both	0.3	0.4	-	-	0.2	0.2	0.2	0.2	0.2	0.2
13	EI0013R		Rear spoiler	-	-	-	0.4	0.2	0.2	0.2	-	0.2	0.2
14	EI0014R		Cross bar roof rail	-	-	-	-	0.5	-	-	-	1.2	1.2
15	EI0015R		Side sill spoiler	-	-	-	-	0.2	0.2	0.2	0.2	-	0.2
16	EI0016R		Door trim panel / Front door	0.3	0.3	0.4	0.3	0.2	0.2	0.1	0.2	0.2	0.2
17	EI0017R		Door trim panel / Rear door	0.4	0.2	0.3	0.3	0.2	0.2	0.1	0.2	0.2	0.2
18	EI0018R		Glove box	0.2	0.2	0.4	0.2	0.2	0.2	0.1	0.1	0.2	0.2
19	EI0019R		Pocket back panel	-	-	-	-	-	-	-	-	0.1	0.2
20	EI0020R		Key lock Assy	-	-	-	-	-	0.1	-	-	0.1	0.1
21	EI0021R		Roof rail	-	-	-	-	0.9	0.9	1.0	2.2	0.9	1.0
22	EI0022R		Console box / Front (Right)	0.3	0.2	0.3	0.6	0.2	0.2	0.2	0.2	0.2	0.2
23	EI0023R		Console box / Rear (Left)	-	-	0.4	-	0.1	0.1	-	-	0.1	0.1
24	EI0024R		Coin tray (Pocket)	-	-	-	-	0.1	0.1	0.1	-	0.1	0.1
25	EI0025R		Instrument panel Assy	2.5	2.5	2.2	2.2	1.3	1.3	1.6	3.1	1.2	1.2
26	EI0026R		Lower cover panel / Driver	-	-	-	-	0.1	0.3	0.1	0.4	0.3	0.3
27*	EI0027R		Meter visor	0.5	-	-	-	0.2	0.4	0.3	-	0.3	0.4
28	EI0028R		Front pillar trim panel / Upper	0.3	0.2	0.3	0.2	0.1	0.1	0.1	0.1	0.1	0.1
29	EI0029R		Instrument panel defroster grille	1.7	0.2	0.4	0.2	0.2	0.2	0.2	0.2	0.1	0.2
30	EI0030R		Front pillar trim panel / Lower	0.2	0.2	0.3	-	0.1	0.1	0.1	0.1	0.1	0.1
31	EI0031R		Center pillar trim panel / Upper	-	0.3	0.4	-	0.1	0.1	0.1	0.4	0.1	0.1
32	EI0032R		Center pillar trim panel / Lower	-	0.2	-	0.3	0.1	0.1	0.1	0.2	0.1	0.1
33	EI0033R		Rear pillar trim panel	0.6	0.4	0.4	0.6	0.2	0.2	-	0.1	0.2	0.2
35	EI0035R		Side sill cover / Front	-	0.2	-	-	0.1	0.1	0.1	0.1	0.1	0.1
36	EI0036R		Side sill cover / Rear	-	0.2	-	-	0.1	0.1	0.1	0.1	0.1	0.1
37	EI0037R		Rear quarter rail trim	-	0.4	-	-	0.1	0.1	0.3	0.1	0.1	0.1
38	EI0038R		Sun visor	0.2	0.2	0.2	0.2	0.1	0.1	0.1	0.1	0.1	0.1
39	EI0039R	SDN	Roof trim	-	-	-	-	-	1.0	1.1	1.7	1.0	1.0
	EI0039R	WGN	Roof trim	-	1.2	1.1	2.2	1.0	1.0	0.7	1.5	1.0	1.0
41	EI0041R		Rear gate trim panel	0.2	0.2	-	-	0.2	0.2	0.2	0.2	0.2	0.2
42	EI0042R		Rear shelf trim	-	-	-	-	0.2	0.2	-	-	0.2	0.2
43	EI0043R		Trunk side rear trim panel	0.3	-	-	-	0.2	0.2	-	0.2	0.2	0.2

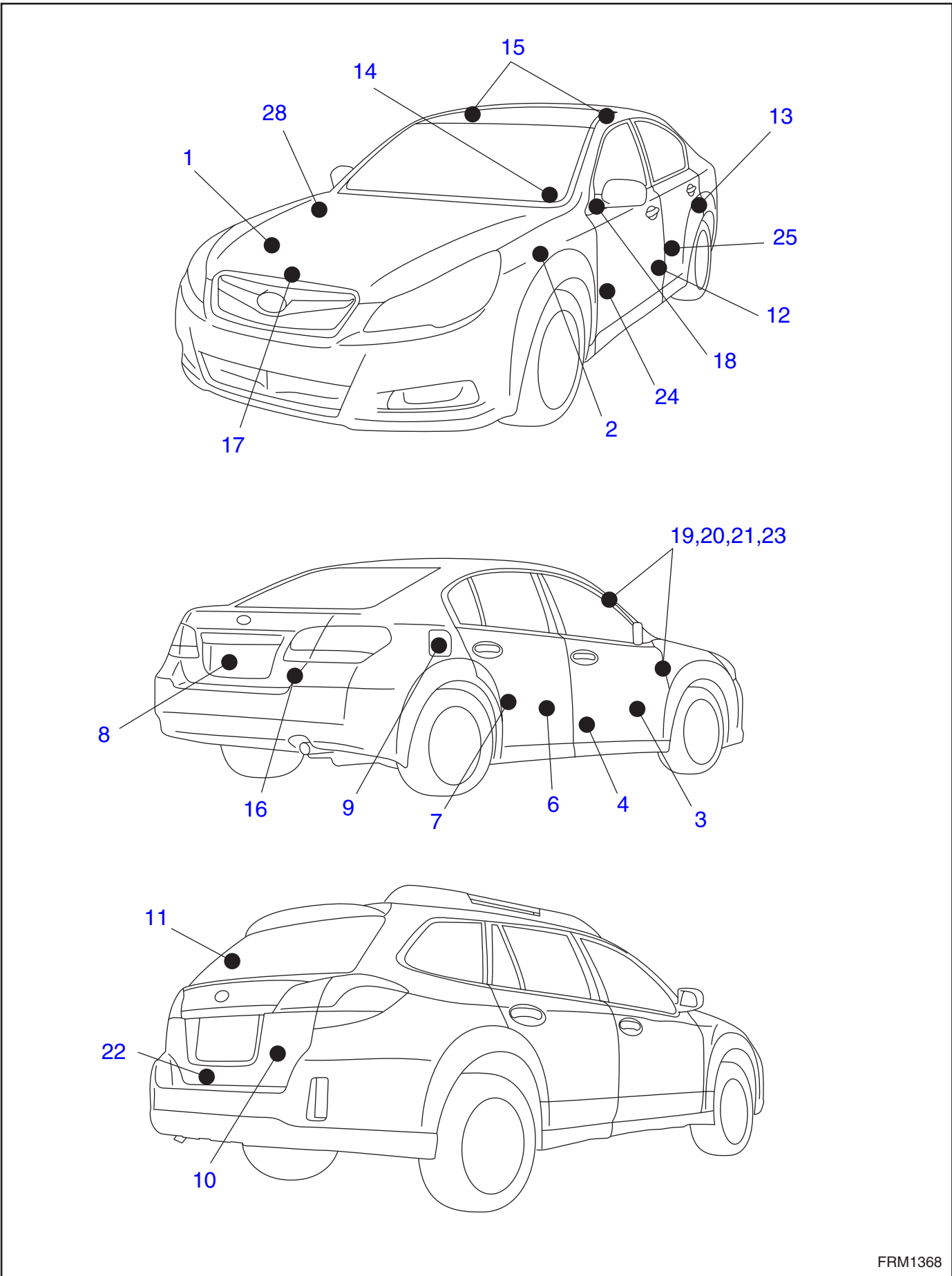
No.	Work No.	Vehicle Information	Work Description	TIME (HOURS)								
				LEGACY			FORESTER			TRIB ECA	EXI GA	SVX
				3	4	5	1	2	3			
1	EI0001R		Front grille	0.1	0.1	0.4	0.1	0.1	0.4	0.4	0.4	0.1
2	EI0002R		Under cover / Front	0.2	0.2	0.2	0.2	0.2	0.2	0.2	0.2	0.4
4	EI0004R		Front bumper face	0.4	0.4	0.4	0.4	0.4	0.4	0.4	0.4	0.4
6	EI0006R		Rear bumper face	0.6	0.6	0.5	0.6	0.6	0.3	0.3	0.3	1.0
7	EI0007R		Mud guard	0.2	0.3	0.3	0.2	0.2	0.3	0.3	0.3	0.4
8	EI0008R		Rear ornament or letter mark	0.7	0.7	0.7	0.7	0.7	0.7	0.7	0.7	0.7
9	EI0009R		Door molding	0.3	0.3	-	0.3	0.3	-	0.3	-	-
10	EI0010R		Body side protector / One	0.2	0.3	-	0.2	0.2	-	0.2	-	0.3
11	EI0011R		Body side garnish	0.2	0.2	-	0.5	0.5	-	0.2	-	0.3
12	EI0012R		Cowl panel / Both	0.2	0.2	0.2	0.2	0.2	0.2	0.2	0.2	0.4
13	EI0013R		Rear spoiler	0.2	0.3	0.3	0.2	0.2	0.3	0.2	0.3	0.3
14	EI0014R		Cross bar roof rail	1.0	0.5	-	1.4	1.4	-	0.5	-	-
15	EI0015R		Side sill spoiler	0.2	0.2	-	-	0.2	0.1	0.2	0.1	-
16	EI0016R		Door trim panel / Front door	0.2	0.1	0.1	0.2	0.2	0.1	0.2	0.1	0.2
17	EI0017R		Door trim panel / Rear door	0.2	0.1	0.1	0.2	0.2	0.1	0.2	0.1	-
18	EI0018R		Glove box	0.2	0.2	0.2	0.2	0.2	0.1	0.3	0.1	0.4
19	EI0019R		Pocket back panel	0.2	0.2	-	-	-	-	0.1	-	-
20	EI0020R		Key lock Assy	0.1	0.1	-	-	0.1	-	-	-	-
21	EI0021R		Roof rail	1.0	0.2	-	0.9	0.9	1.4	-	-	-
22	EI0022R		Console box / Front (Right)	0.2	0.1	0.2	0.2	0.2	0.2	0.2	-	0.2
23	EI0023R		Console box / Rear (Left)	0.1	0.2	-	0.1	0.1	-	0.2	-	0.1
24	EI0024R		Coin tray (Pocket)	0.1	0.1	0.1	0.1	0.1	-	0.1	-	0.1
25	EI0025R		Instrument panel Assy	1.6	1.4	2.7	1.0	1.0	1.6	1.4	1.9	3.3
26	EI0026R		Lower cover panel / Driver	0.3	0.3	0.2	0.3	0.3	0.1	0.3	0.1	0.2
27*	EI0027R		Meter visor	0.4	0.4	0.2	0.2	0.4	0.3	0.4	0.3	0.1
28	EI0028R		Front pillar trim panel / Upper	0.1	0.1	0.1	0.1	0.1	0.1	0.1	0.1	0.2
29	EI0029R		Instrument panel defroster grille	0.2	0.2	0.2	0.2	0.2	0.2	0.2	0.2	0.4
30	EI0030R		Front pillar trim panel / Lower	0.1	0.1	0.1	0.1	0.1	0.1	0.1	0.1	0.1
31	EI0031R		Center pillar trim panel / Upper	0.1	0.1	0.1	0.1	0.1	0.1	0.1	0.1	0.1
32	EI0032R		Center pillar trim panel / Lower	0.1	0.1	0.1	0.1	0.1	0.1	0.1	0.1	0.1
33	EI0033R		Rear pillar trim panel	0.2	0.2	0.3	0.2	0.2	0.2	0.4	0.4	0.2
35	EI0035R		Side sill cover / Front	0.1	0.1	0.1	0.1	0.1	0.1	0.1	0.1	0.1
36	EI0036R		Side sill cover / Rear	0.1	0.1	0.1	0.1	0.1	0.1	0.1	0.1	0.1
37	EI0037R		Rear quarter rail trim	0.1	0.1	0.3	0.1	0.1	0.3	-	0.4	0.1
38	EI0038R		Sun visor	0.1	0.1	0.1	0.1	0.1	0.1	0.1	0.1	0.1
39	EI0039R	SDN	Roof trim	1.0	2.7	2.2	1.0	1.0	-	-	-	0.7
	EI0039R	WGN	Roof trim	1.0	1.1	2.2	1.0	1.0	1.1	1.7	1.5	0.7
41	EI0041R		Rear gate trim panel	0.2	0.2	0.2	0.2	0.2	0.2	0.2	0.2	-
42	EI0042R		Rear shelf trim	0.2	0.2	0.2	0.2	0.2	-	-	-	0.4
43	EI0043R		Trunk side rear trim panel	0.2	0.2	0.2	0.2	0.2	-	-	-	0.3

No.	Work No.	Vehicle Information	Work Description	TIME (HOURS)									
				Justy			TRE ZIA	IMPREZA				LEGACY	
				1	2	3		1	2	3	4	1	2
44	EI0044R		Trunk lid trim	-	-	-	-	-	0.2	-	-	-	-
45	EI0045R		Floor mat	0.9	0.9	1.1	1.6	1.4	1.4	1.0	1.3	1.4	1.4
46	EI0046R		Luggage floor mat	-	-	0.2	0.2	0.1	0.1	0.1	0.1	0.1	0.1
47	EI0047R		Trunk mat	0.4	-	-	-	0.1	0.1	-	0.1	0.1	0.1
48	EI0048R		Front hood turbo grille Assy or duct	-	-	-	-	0.3	0.3	0.4	-	0.3	-
49*	EI0049R		Breath grille Assy	-	-	-	-	0.1	0.1	-	-	-	0.1
50	EI0050R		Assist rail / One	0.1	-	-	-	0.1	0.1	0.1	0.1	0.1	0.1
51*	EI0051R		Rear bumper side	-	0.5	-	-	-	-	-	-	-	-
52	EI0052R		Front arch protector (garnish)	-	-	-	-	-	-	0.4	-	-	-
53	EI0053R		Rear arch protector (garnish)	-	-	-	-	0.1	-	-	-	0.1	-
56	EI0056R		Underbody cover	-	-	-	-	-	-	0.2	-	-	-
57	EI0057R		Instrument panel upper under cover	-	-	-	-	-	-	-	-	-	-
58	EI0058R		Instrument panel lower under cover	-	-	-	-	-	-	0.4	0.4	-	-
59	EI0059R		Rear quarter pillar upper trim panel	-	-	0.4	0.8	-	-	-	-	-	-
60	EI0060R		Center upper vent grill	-	-	-	-	-	-	0.2	-	-	-
61	EI0061R		Console side panel upper	-	-	-	-	-	-	-	-	-	-
62	EI0062R		Console side panel lower	-	-	-	-	-	-	-	-	-	-
63	EI0063R		Glove box lower cover	-	-	-	-	-	-	-	-	-	-
64	EI0064R		Garnish	-	-	-	-	-	-	-	-	-	-
65	EI0065R		Front upper cover	-	-	-	-	-	-	-	-	-	-
66	EI0066R		Under cover	-	-	-	-	-	-	0.2	0.2	-	-
67	EI0067R		Roof molding / One side	-	-	-	-	0.6	0.6	0.3	0.3	-	-
68	EI0068R		Roof carrier attachment	-	-	-	-	-	-	-	-	-	-
69	EI0069R		Transmission under cover	-	-	-	-	-	-	0.2	-	-	-
70	EI0070R		Instrument panel side cover	-	-	-	0.2	-	-	0.1	0.1	-	-
71	EI0071R		Seat heater switch	-	-	-	-	-	-	0.3	-	-	-
72	EI0072R	STI	Trunk spoiler	-	-	-	-	-	-	0.4	-	-	-
73	EI0073R	XV	Front fender garnish	-	-	-	-	-	-	0.6	0.6	-	-
74	EI0074R	XV	Rear door garnish	-	-	-	-	-	-	0.2	-	-	-
75	EI0075R	XV	Rear quarter garnish	-	-	-	-	-	-	0.5	0.5	-	-
76	EI0076R	XV	Rear bumper garnish	-	-	-	-	-	-	0.3	-	-	-
77	EI0077R	XV	Rear garnish holder	-	-	-	-	-	-	0.4	-	-	-
78	EI0078R	XV	Roof spoiler / side and center	-	-	-	-	-	-	0.3	-	-	-
	EI0999Z		Other	**	**	**	**	**	**	**	**	**	**

No.	Work No.	Vehicle Information	Work Description	TIME (HOURS)								
				LEGACY			FORESTER			TRIB ECA	EXI GA	SVX
				3	4	5	1	2	3			
44	EI0044R		Trunk lid trim	0.2	0.2	0.2	-	-	-	-	-	0.2
45	EI0045R		Floor mat	1.4	1.4	1.3	1.4	1.4	1.0	1.6	1.7	1.4
46	EI0046R		Luggage floor mat	0.1	0.1	0.1	0.1	0.1	0.1	0.3	0.1	-
47	EI0047R		Trunk mat	0.1	0.1	0.1	0.1	0.1	-	-	-	0.1
48	EI0048R		Front hood turbo grille Assy or duct	-	-	0.2	0.3	0.3	0.2	-	-	-
49*	EI0049R		Breath grille Assy	0.1	0.1	-	-	0.1	-	-	-	-
50	EI0050R		Assist rail / One	0.1	0.1	0.1	0.1	0.1	0.1	0.1	0.1	0.1
51*	EI0051R		Rear bumper side	-	-	-	-	-	-	-	-	-
52	EI0052R		Front arch protector (garnish)	0.2	0.2	-	-	0.2	-	-	-	0.5
53	EI0053R		Rear arch protector (garnish)	0.2	0.2	0.2	0.1	0.2	-	-	-	0.1
56	EI0056R		Underbody cover	-	0.2	-	-	-	-	-	-	-
57	EI0057R		Instrument panel upper under cover	-	0.1	-	-	-	0.1	-	0.1	-
58	EI0058R		Instrument panel lower under cover	-	0.1	0.1	-	-	0.4	0.2	0.1	-
59	EI0059R		Rear quarter pillar upper trim panel	-	0.3	0.3	-	-	-	-	-	-
60	EI0060R		Center upper vent grill	-	-	-	-	-	-	0.2	0.2	-
61	EI0061R		Console side panel upper	-	-	-	-	-	-	0.4	-	-
62	EI0062R		Console side panel lower	-	-	-	-	-	-	0.2	-	-
63	EI0063R		Glove box lower cover	-	-	-	-	-	-	0.2	-	-
64	EI0064R		Garnish	-	-	0.1	-	-	-	0.2	-	-
65	EI0065R		Front upper cover	-	-	-	-	-	-	0.2	-	-
66	EI0066R		Under cover	-	0.2	0.2	-	-	0.2	0.3	0.2	-
67	EI0067R		Roof molding / One side	0.6	0.4	0.3	0.6	0.6	0.3	0.3	0.3	-
68	EI0068R		Roof carrier attachment	-	-	-	-	-	-	1.7	-	-
69	EI0069R		Transmission under cover	-	0.2	-	-	-	-	-	-	-
70	EI0070R		Instrument panel side cover	-	0.1	0.1	-	-	0.1	-	0.1	-
71	EI0071R		Seat heater switch	-	0.2	0.3	-	-	0.3	0.3	-	-
72	EI0072R	STI	Trunk spoiler	-	-	-	-	-	-	-	-	-
73	EI0073R	XV	Front fender garnish	-	-	-	-	-	-	-	-	-
74	EI0074R	XV	Rear door garnish	-	-	-	-	-	-	-	-	-
75	EI0075R	XV	Rear quarter garnish	-	-	-	-	-	-	-	-	-
76	EI0076R	XV	Rear bumper garnish	-	-	-	-	-	-	-	-	-
77	EI0077R	XV	Rear garnish holder	-	-	-	-	-	-	-	-	-
78	EI0078R	XV	Roof spoiler / side and center	-	-	-	-	-	-	-	-	-
	EI0999Z		Other	**	**	**	**	**	**	**	**	**

EB

EXTERIOR BODY PANELS



EB

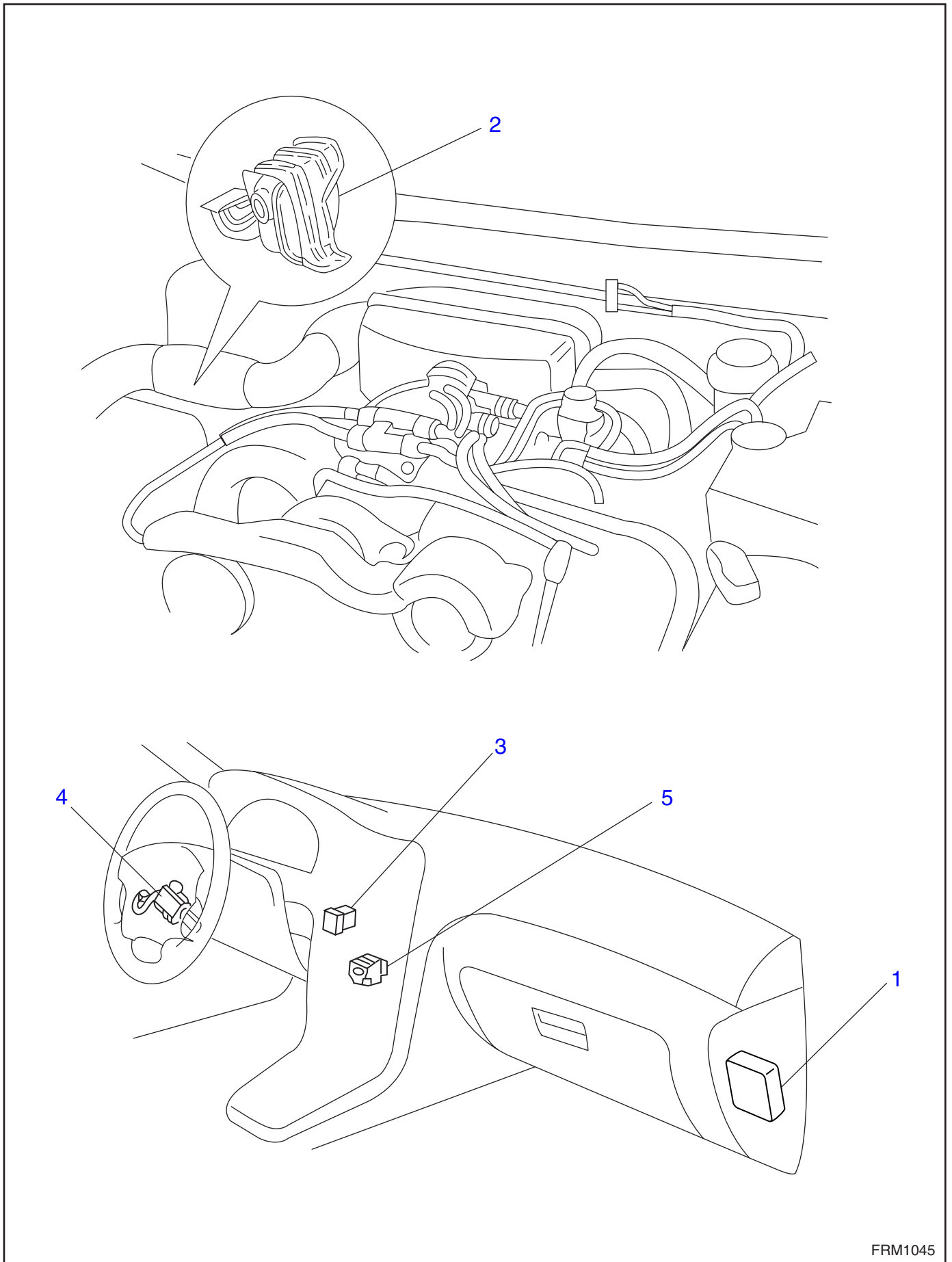
No.	Work No.	Vehicle Information	Work Description	TIME (HOURS)										
				Justy			TRE ZIA	IMPREZA				LEGACY		
				1	2	3		1	2	3	4	1	2	
1	EB0001R		Front hood	0.5	0.4	0.4	0.5	0.3	0.3	0.3	0.3	0.3	0.3	0.3
2	EB0002R		Front fender	0.9	0.8	0.7	2.0	0.7	0.9	1.0	1.0	1.0	1.0	0.9
3	EB0003R		Front door panel Assy	1.8	1.8	1.3	2.2	2.3	2.3	2.1	2.1	2.3	2.3	
4	EB0004R		Front sealing cover	0.3	0.3	-	-	0.3	0.3	0.3	0.3	0.3	0.3	0.3
6	EB0006R		Rear door panel Assy	1.5	1.4	1.1	2.1	2.0	2.0	1.8	1.8	2.0	2.0	
7	EB0007R		Rear sealing cover	0.2	0.2	-	-	-	0.3	0.3	0.3	-	-	
8	EB0008R		Trunk lid Assy / Not included "EI0008R".	-	-	-	-	0.3	0.3	0.7	0.5	0.3	0.3	
9	EB0009R		Fuel flap	0.1	-	0.3	-	0.1	0.1	0.1	0.1	0.1	0.1	0.1
10	EB0010R		Rear gate panel Assy	3.4	3.4	3.3	2.9	1.4	1.4	2.5	2.5	1.4	1.4	
11	EB0011R		Rear gate stay	0.5	0.2	0.2	0.3	0.2	0.2	0.2	0.1	0.2	0.2	
12	EB0012R		Front door switch	0.3	0.2	0.4	0.2	0.2	0.2	0.1	0.1	0.2	0.2	
13	EB0013R		Rear door switch	0.3	0.2	0.4	0.2	0.4	0.4	0.1	0.1	0.1	0.4	
14	EB0014R		Rear gate switch	0.3	-	-	-	0.4	0.4	-	0.1	0.1	0.4	
15	EB0015R		Roof molding	-	0.3	-	-	0.2	0.2	0.3	0.3	-	0.2	
16	EB0016R		Trunk lid weatherstrip	-	-	-	-	0.1	0.1	-	-	0.1	0.1	
17	EB0017R		Front edge weatherstrip	-	-	-	-	0.2	0.2	0.2	0.2	0.2	0.2	
18	EB0018R		Gusset Assy / Front	-	-	-	-	0.4	0.4	-	-	0.4	0.4	
19	EB0019R		Weatherstrip / Outer	0.3	0.2	0.2	0.3	0.3	0.3	0.3	0.4	0.3	0.3	
20	EB0020R		Weatherstrip / Inner	0.4	-	0.4	0.3	0.2	0.2	0.2	0.2	0.2	0.2	
21	EB0021R		Weatherstrip / Roof side	-	-	-	-	0.5	0.5	0.4	-	0.5	0.5	
22	EB0022R		Weatherstrip / Rear gate side	-	0.2	0.3	0.1	0.2	0.2	0.2	0.2	0.2	0.2	
23	EB0023R		Run channel	0.4	0.4	-	0.4	-	-	0.4	0.3	-	-	
24	EB0024R		Door checker / Front	-	-	0.4	0.5	0.3	0.3	0.3	0.3	0.3	0.3	
25	EB0025R		Door checker / Rear	-	-	-	-	0.2	0.3	0.3	3.0	0.2	0.3	
28	EB0028R		Front hood stay damper / One side	-	-	-	-	-	-	0.1	-	-	-	
	EB0999Z		Other	**	**	**	**	**	**	**	**	**	**	**

EB

No.	Work No.	Vehicle Information	Work Description	TIME (HOURS)								
				LEGACY			FORESTER			TRIB ECA	EXI GA	SVX
				3	4	5	1	2	3			
1	EB0001R		Front hood	0.3	0.3	0.4	0.3	0.3	0.3	0.3	0.4	0.8
2	EB0002R		Front fender	0.9	1.0	1.0	0.9	0.9	1.0	0.9	1.0	1.0
3	EB0003R		Front door panel Assy	2.3	2.3	2.1	2.3	2.3	2.1	2.3	2.1	2.3
4	EB0004R		Front sealing cover	0.3	0.3	0.3	0.3	0.3	0.3	0.3	0.3	0.3
6	EB0006R		Rear door panel Assy	2.0	2.0	1.8	2.0	2.0	1.8	2.0	1.8	-
7	EB0007R		Rear sealing cover	0.3	0.3	0.3	-	0.3	0.3	0.3	0.3	-
8	EB0008R		Trunk lid Assy / Not included "EI0008R".	0.3	0.6	0.5	-	-	-	-	-	0.3
9	EB0009R		Fuel flap	0.1	0.1	0.1	0.1	0.1	0.2	0.1	0.2	0.1
10	EB0010R		Rear gate panel Assy	1.4	1.4	2.5	1.4	1.4	2.5	1.5	2.5	-
11	EB0011R		Rear gate stay	0.2	0.2	0.2	0.2	0.2	0.2	0.2	0.2	-
12	EB0012R		Front door switch	0.2	0.2	0.1	0.2	0.2	0.1	0.1	0.1	0.5
13	EB0013R		Rear door switch	0.4	0.4	0.1	0.1	0.4	0.1	0.1	0.1	-
14	EB0014R		Rear gate switch	0.4	0.4	-	0.1	0.4	-	-	-	-
15	EB0015R		Roof molding	0.2	0.2	0.3	-	0.2	0.3	0.2	0.3	-
16	EB0016R		Trunk lid weatherstrip	0.1	0.1	0.1	-	-	-	-	-	0.2
17	EB0017R		Front edge weatherstrip	0.2	0.2	0.2	0.2	0.2	0.2	0.2	0.2	0.2
18	EB0018R		Gusset Assy / Front	0.4	0.4	-	0.4	0.4	-	-	-	-
19	EB0019R		Weatherstrip / Outer	0.3	0.3	0.3	0.3	0.3	0.3	0.3	0.3	-
20	EB0020R		Weatherstrip / Inner	0.2	0.2	0.2	0.2	0.2	0.2	0.3	0.3	-
21	EB0021R		Weatherstrip / Roof side	0.5	0.5	-	0.5	0.5	0.4	-	-	-
22	EB0022R		Weatherstrip / Rear gate side	0.2	0.2	0.2	0.2	0.2	0.2	0.2	0.2	-
23	EB0023R		Run channel	-	-	0.4	-	-	0.4	0.5	0.4	-
24	EB0024R		Door checker / Front	0.3	0.3	0.3	0.3	0.3	0.3	0.3	0.3	0.3
25	EB0025R		Door checker / Rear	0.3	0.3	0.3	0.2	0.3	0.3	0.3	0.3	-
28	EB0028R		Front hood stay damper / One side	-	-	-	-	-	0.2	0.1	0.2	-
	EB0999Z		Other	**	**	**	**	**	**	**	**	**

CC

CRUISE CONTROL SYSTEM



CC

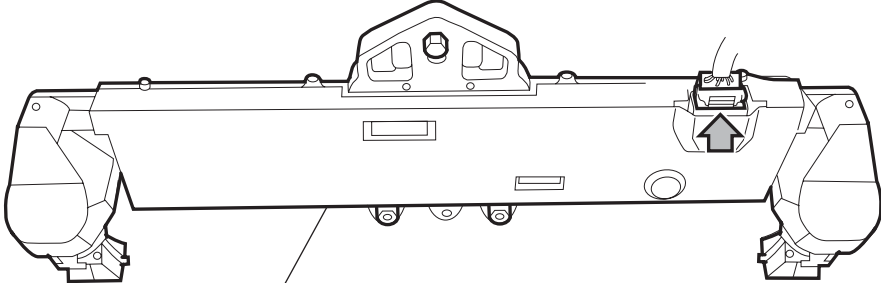
No.	Work No.	Vehicle Information	Work Description	TIME (HOURS)									
				Justy			TRE ZIA	IMPREZA				LEGACY	
				1	2	3		1	2	3	4	1	2
1	CC0001R		Cruise control unit Assy	-	-	-	-	1.0	1.0	-	-	1.0	1.0
2	CC0002R		Actuator	-	-	-	-	0.3	0.3	-	-	0.3	0.3
3	CC0003R		Cruise control main switch	-	-	-	-	0.1	0.1	-	-	0.1	0.1
4	CC0004R		Cruise control command Switch	-	-	-	-	0.2	0.2	0.5	0.3	0.2	0.2
5	CC0005R		Stop and brake switch	-	-	-	-	0.2	0.2	0.2	0.2	0.2	0.2
	CC0999Z		Other	**	**	**	**	**	**	**	**	**	**

CC

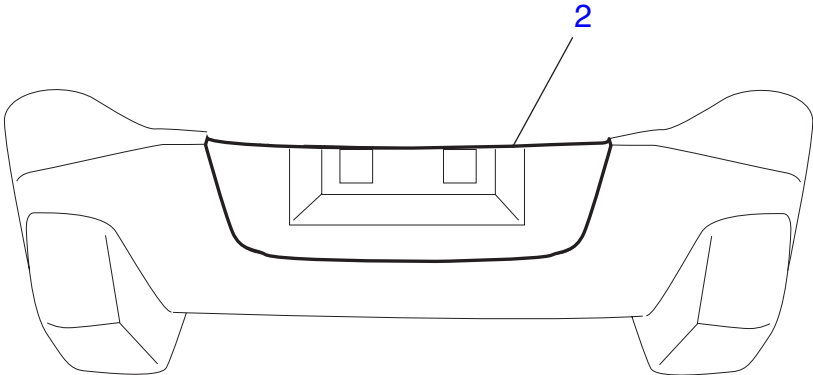
No.	Work No.	Vehicle Information	Work Description	TIME (HOURS)								
				LEGACY			FORESTER			TRIB ECA	EXI GA	SVX
				3	4	5	1	2	3			
1	CC0001R		Cruise control unit Assy	1.0	-	-	-	1.0	-	-	-	1.2
2	CC0002R		Actuator	0.3	-	-	0.3	0.3	-	-	-	0.3
3	CC0003R		Cruise control main switch	0.1	-	-	0.1	0.1	-	-	-	0.1
4	CC0004R		Cruise control command Switch	0.2	0.2	0.5	0.2	0.2	0.5	0.5	0.5	0.2
5	CC0005R		Stop and brake switch	0.2	0.2	0.3	0.2	0.2	0.2	0.2	0.3	0.2
	CC0999Z		Other	**	**	**	**	**	**	**	**	**

ES

EYE SIGHT



1



2

ES

No.	Work No.	Vehicle Information	Work Description	TIME (HOURS)									
				Justy			TRE ZIA	IMPREZA				LEGACY	
				1	2	3		1	2	3	4	1	2
1	ES0001R		Eyesight camera unit Assy	-	-	-	-	-	-	-	1.5	-	-
	ES0001A		Eyesight camera unit Assy	-	-	-	-	-	-	-	1.3	-	-
2	ES0002R		Eyesight camera cover	-	-	-	-	-	-	-	0.1	-	-
	ES0999Z		Other	**	**	**	**	**	**	**	-	**	**

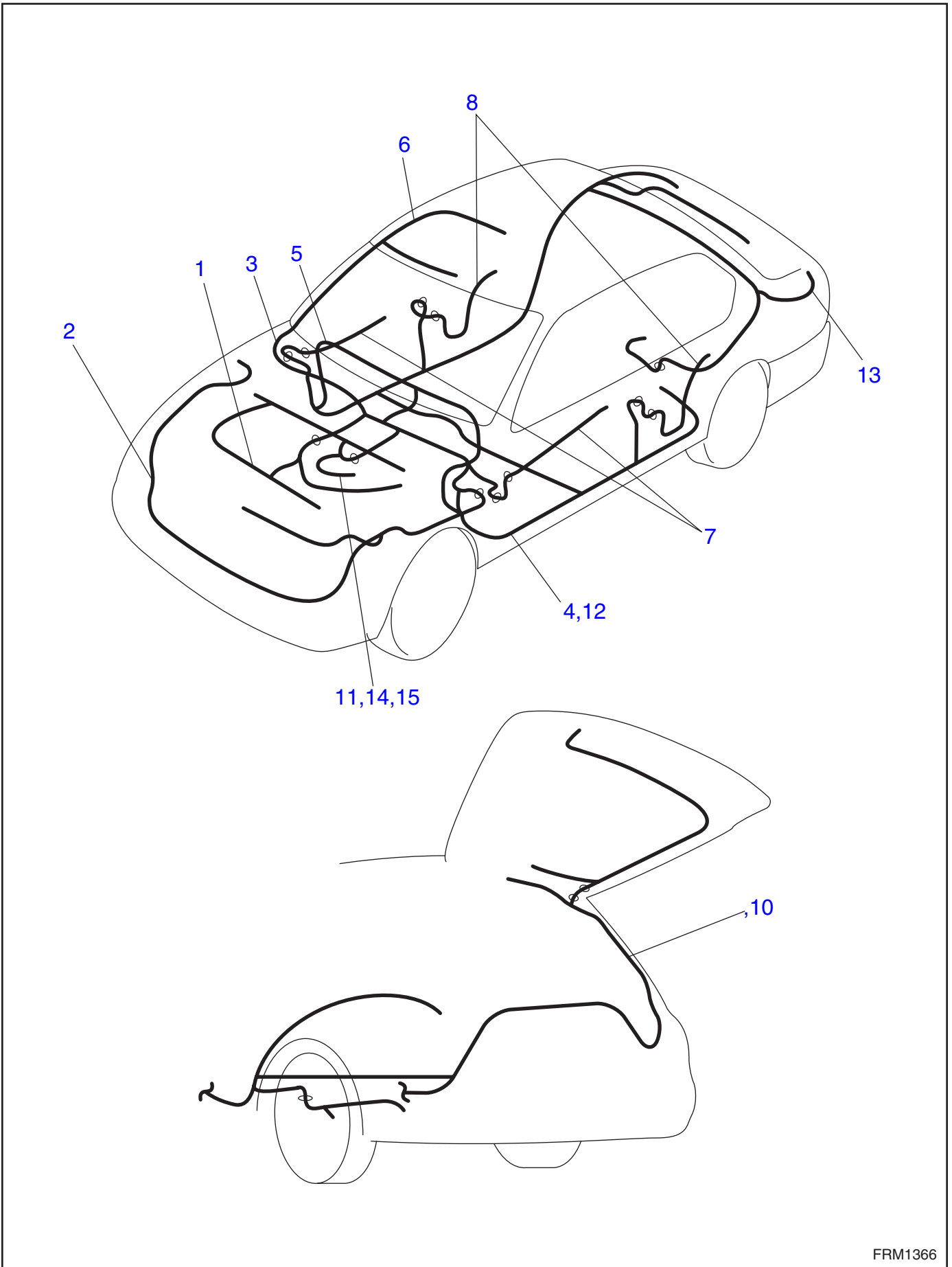
ES

No.	Work No.	Vehicle Information	Work Description	TIME (HOURS)								
				LEGACY			FORESTER			TRIB ECA	EXI GA	SVX
				3	4	5	1	2	3			
1	ES0001R		Eyesight camera unit Assy	-	-	1.5	-	-	-	-	-	-
	ES0001A		Eyesight camera unit Assy	-	-	1.3	-	-	-	-	-	-
2	ES0002R		Eyesight camera cover	-	-	0.1	-	-	-	-	-	-
	ES0999Z		Other	**	**	**	**	**	**	**	**	**



WI

WIRING SYSTEM



No.	Work No.	Vehicle Information	Work Description	TIME (HOURS)									
				Justy			TRE ZIA	IMPREZA				LEGACY	
				1	2	3		1	2	3	4	1	2
1	WI0001R		Engine wiring harness	0.8	1.6	-	-	1.4	1.5	1.0	-	1.4	1.4
	WI0001R	DO TC	Engine wiring harness	-	-	-	-	2.2	1.7	1.8	-	1.7	-
	WI0001R	H6	Engine wiring harness	-	-	-	-	-	-	-	-	-	-
	WI0001R	DE	Engine wiring harness	-	-	-	-	-	-	1.4	1.4	-	-
	WI0001R	H4-FB	Engine wiring harness	-	-	-	-	-	-	-	1.3	-	-
2	WI0002R		Front wiring harness	-	-	-	-	2.1	2.1	2.2	2.2	2.1	2.1
3	WI0003R		Bulkhead wiring harness	2.4	1.9	-	-	3.0	3.0	6.1	7.0	3.0	3.0
	WI0003R	DO TC	Bulkhead wiring harness	-	-	-	-	3.5	3.5	6.1	-	-	-
	WI0003R	DE	Bulkhead wiring harness	-	-	-	-	-	-	6.1	7.1	-	-
4	WI0004R		Rear wiring harness	1.0	1.5	-	-	2.2	2.2	1.8	2.1	2.2	2.2
5	WI0005R		Instrument panel wiring harness	1.7	1.4	-	-	1.4	1.4	1.8	3.4	1.2	1.4
6	WI0006R		Roof cord	-	-	-	-	1.1	1.1	0.8	1.4	1.1	1.1
7	WI0007R		Front door wiring harness	-	-	-	-	0.6	0.6	0.6	0.6	0.6	0.6
8	WI0008R		Rear door wiring harness	-	-	-	-	0.6	0.6	0.5	0.5	0.5	0.5
10	WI0010R		Rear gate cord	0.5	0.7	-	-	1.3	1.3	0.6	0.7	1.3	1.3
11	WI0011R		Transmission harness AT	-	-	-	-	6.0	6.0	2.7	-	6.0	6.0
12	WI0012R		Power window main harness	-	-	-	-	1.5	-	-	-	1.2	1.2
13	WI0013R		Rear end wiring harness	-	-	-	-	-	-	-	-	-	-
14	WI0014R		Transmission harness MT	-	-	-	-	0.4	0.4	0.4	0.4	0.4	0.4
15	WI0015R		Transmission harness CVT	-	-	-	-	-	-	-	4.3	-	-
	WI0999Z		Other	**	**	**	**	**	**	**	**	**	**

No.	Work No.	Vehicle Information	Work Description	TIME (HOURS)								
				LEGACY			FORESTER			TRIB ECA	EXI GA	SVX
				3	4	5	1	2	3			
1	WI0001R		Engine wiring harness	1.5	0.7	0.7	1.4	1.5	1.0	-	1.0	-
	WI0001R	DO TC	Engine wiring harness	-	1.7	1.7	1.7	1.7	1.8	-	-	-
	WI0001R	H6	Engine wiring harness	1.7	0.9	0.9	-	-	-	0.9	-	2.2
	WI0001R	DE	Engine wiring harness	-	1.4	1.4	-	-	1.4	-	-	-
	WI0001R	H4-FB	Engine wiring harness	-	-	-	-	-	1.3	-	-	-
2	WI0002R		Front wiring harness	2.1	2.1	2.1	2.1	2.1	2.2	2.1	2.2	2.4
3	WI0003R		Bulkhead wiring harness	3.0	6.1	8.0	3.0	3.0	6.1	6.1	6.1	6.2
	WI0003R	DO TC	Bulkhead wiring harness	-	6.1	8.0	3.5	3.5	6.1	-	-	-
	WI0003R	DE	Bulkhead wiring harness	-	6.1	8.0	-	-	6.1	-	-	-
4	WI0004R		Rear wiring harness	2.2	2.2	1.8	2.2	2.2	1.8	2.2	1.8	7.2
5	WI0005R		Instrument panel wiring harness	1.4	1.6	3.2	1.4	1.4	1.8	1.6	1.8	2.7
6	WI0006R		Roof cord	1.1	1.1	1.1	1.1	1.1	0.8	1.8	0.8	1.3
7	WI0007R		Front door wiring harness	0.6	0.6	0.5	0.6	0.6	0.6	0.6	0.5	0.6
8	WI0008R		Rear door wiring harness	0.6	0.6	0.4	0.5	0.5	0.5	0.5	0.5	0.5
10	WI0010R		Rear gate cord	1.3	1.3	0.6	1.3	1.3	0.6	1.9	0.6	-
11	WI0011R		Transmission harness AT	6.0	2.7	6.0	6.0	3.0	2.7	2.7	-	7.6
12	WI0012R		Power window main harness	-	-	-	-	-	-	-	-	-
13	WI0013R		Rear end wiring harness	-	-	-	-	-	-	2.1	-	0.3
14	WI0014R		Transmission harness MT	0.4	0.4	0.4	0.4	0.4	0.4	-	-	-
15	WI0015R		Transmission harness CVT	-	-	5.0	-	-	-	-	4.3	-
	WI0999Z		Other	**	**	**	**	**	**	**	**	**

ELG



ELECTRICAL LOCATION GRID

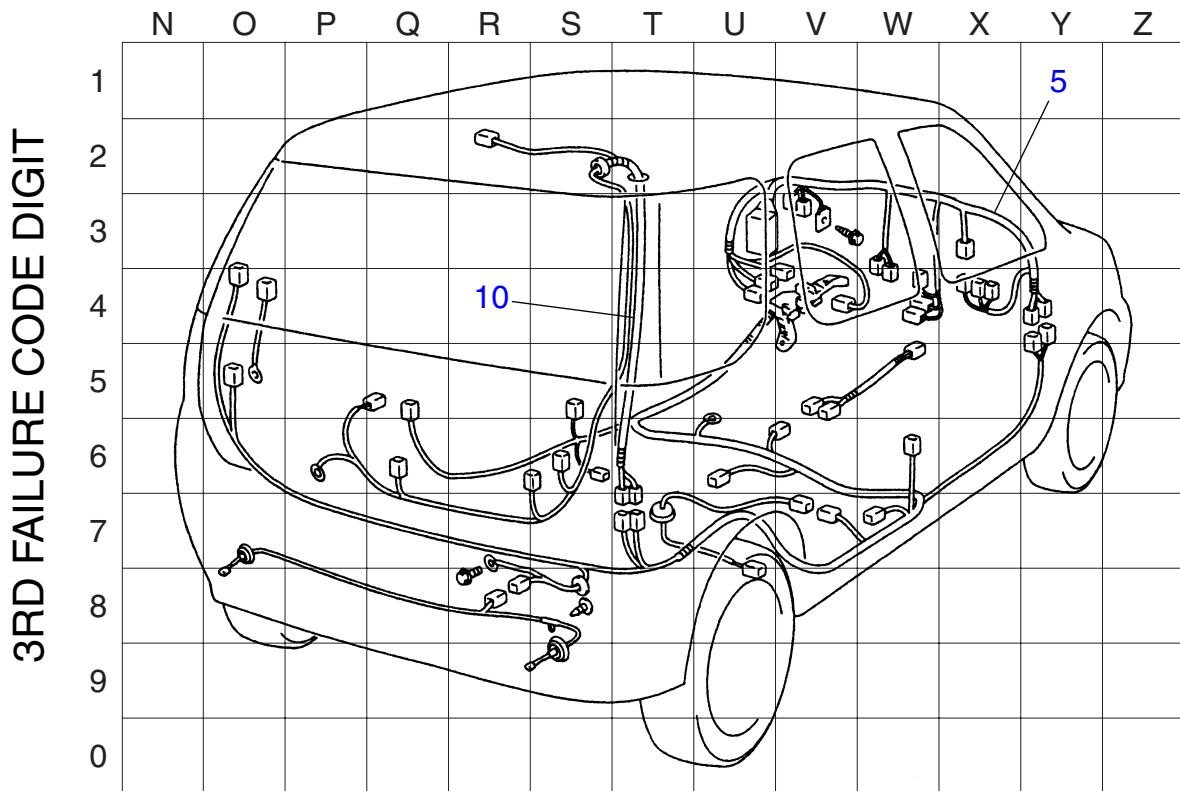
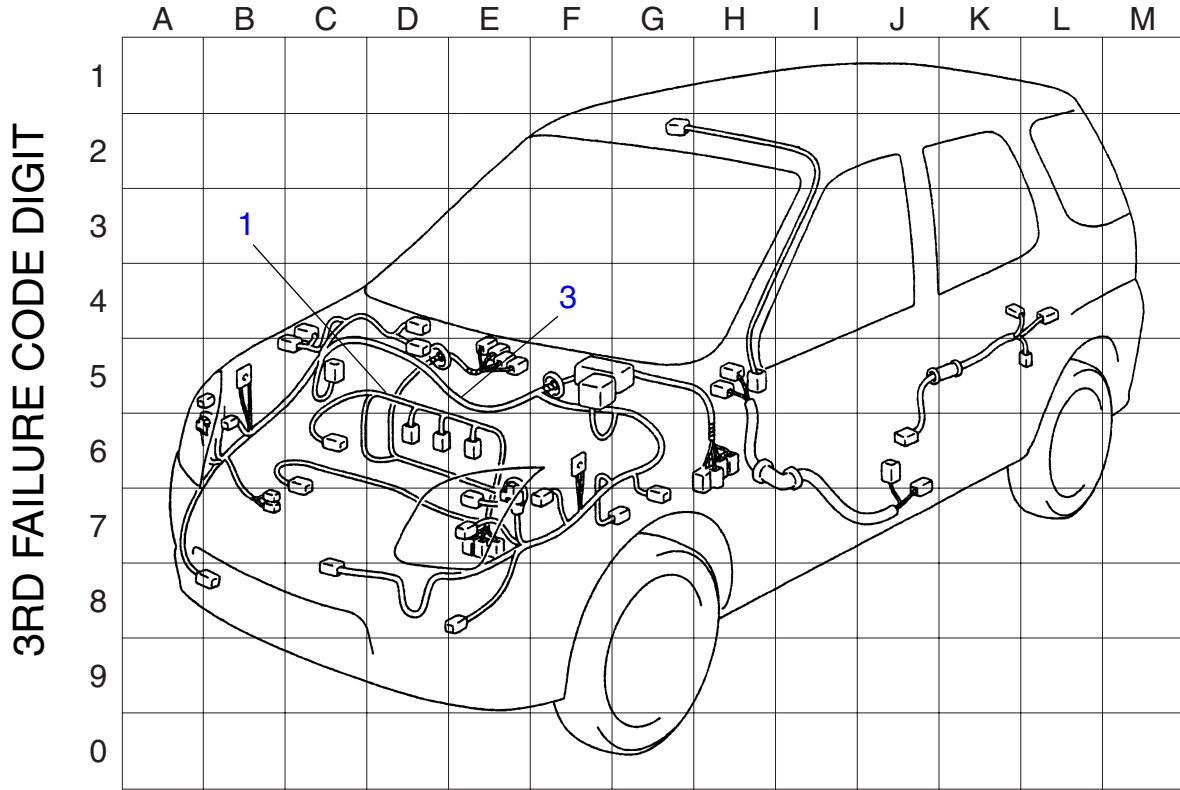
ELG

ELECTRICAL LOCATION GRID 1

Justy 2

1ST FAILURE CODE DIGIT: "V" (Fixed code)
2ND FAILURE CODE DIGIT: Grid diagram reading
3RD FAILURE CODE DIGIT: Grid diagram reading

2ND FAILURE CODE DIGIT



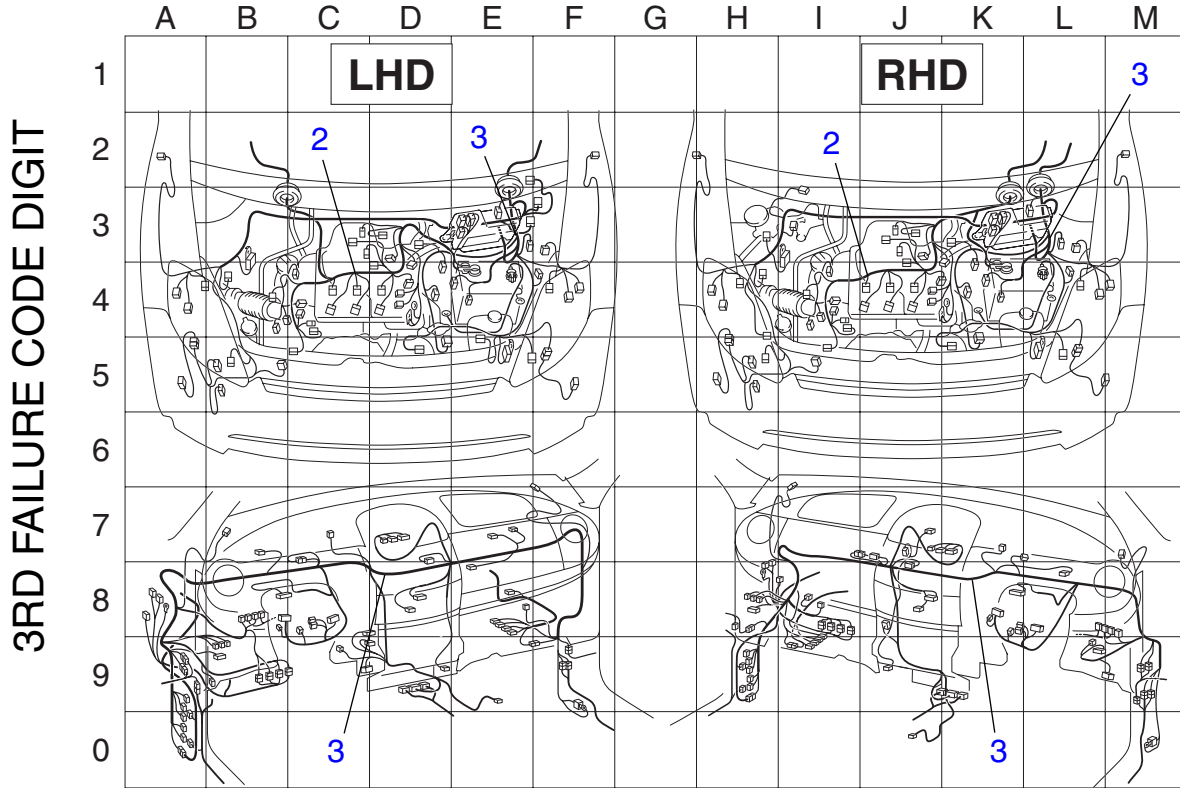
ELG

ELECTRICAL LOCATION GRID 2

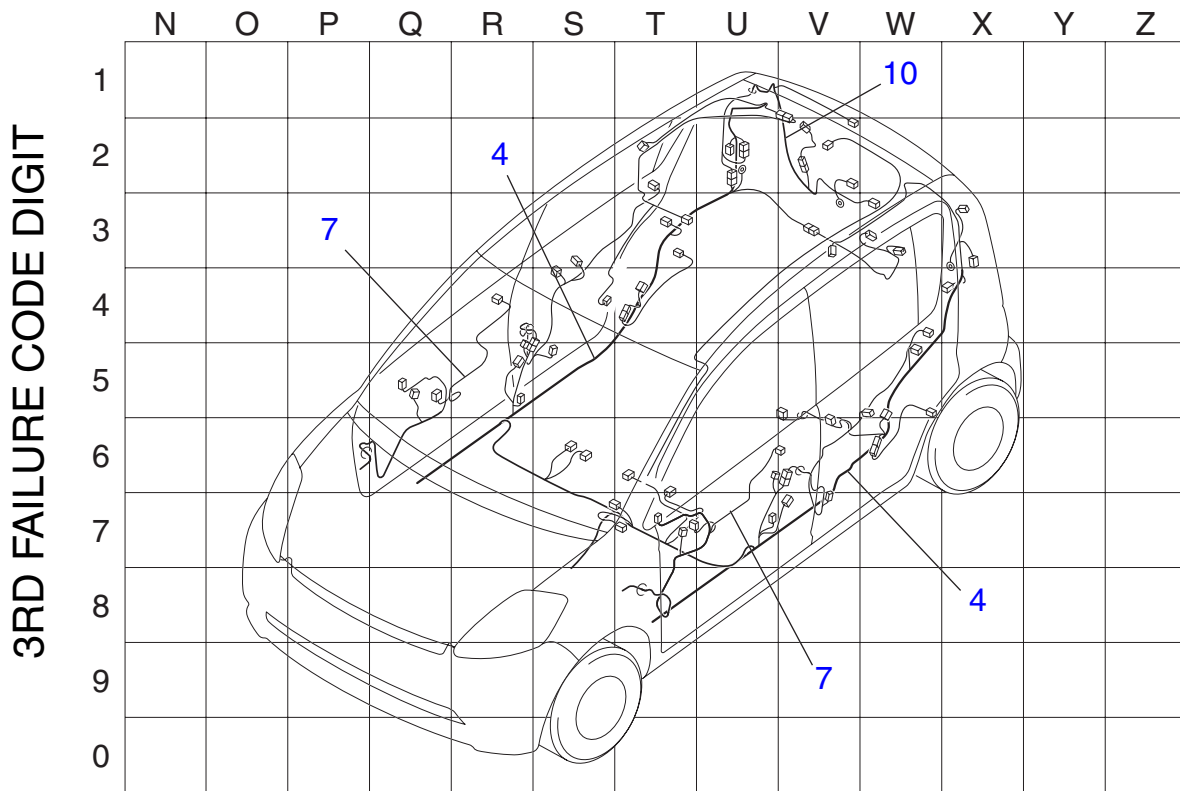
Justy 3

1ST FAILURE CODE DIGIT: "V" (Fixed code)
2ND FAILURE CODE DIGIT: Grid diagram reading
3RD FAILURE CODE DIGIT: Grid diagram reading

2ND FAILURE CODE DIGIT



FRM1289



FRM1290

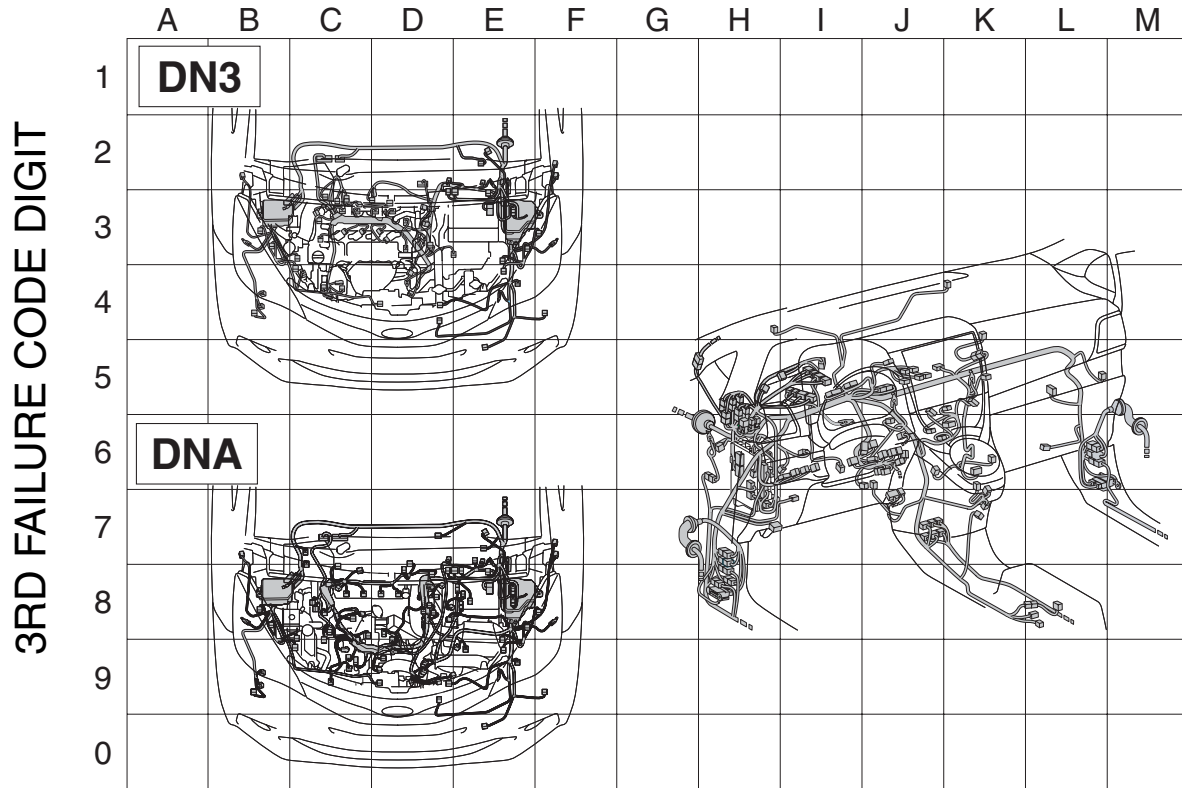
ELG

ELECTRICAL LOCATION GRID 3

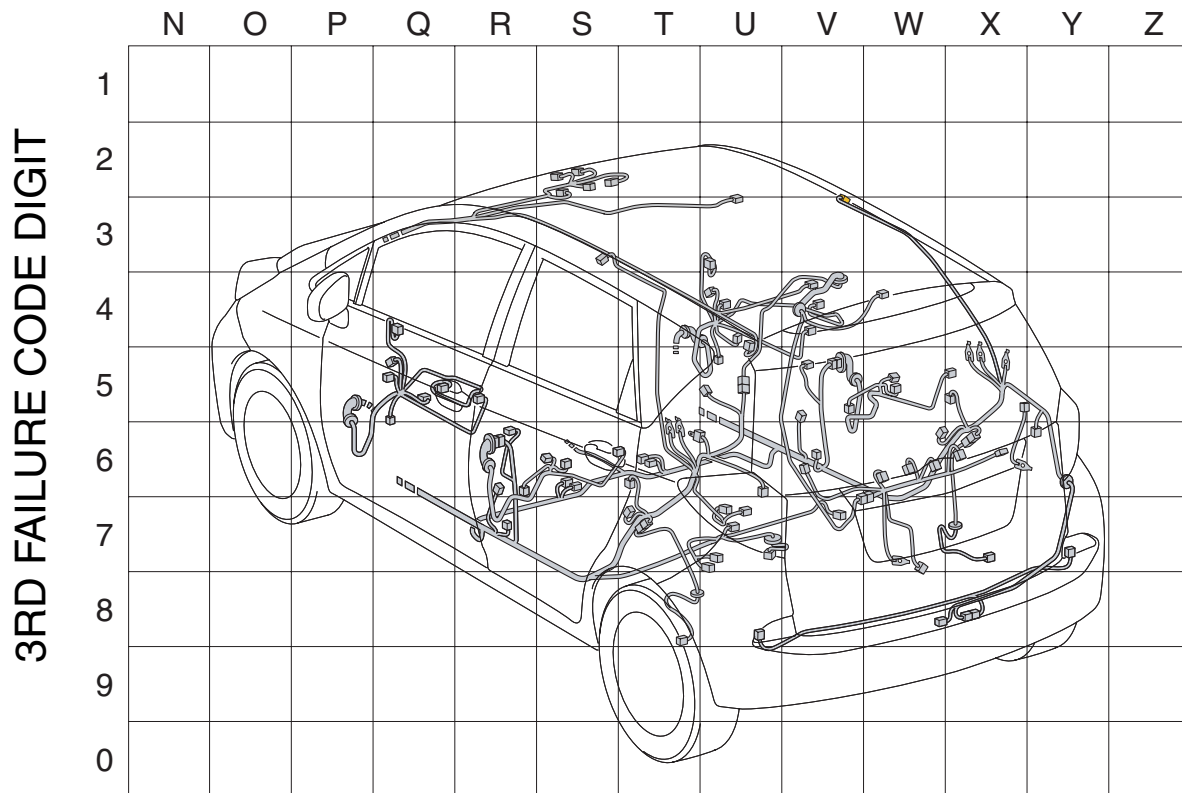
TREZIA

1ST FAILURE CODE DIGIT: "V" (Fixed code)
2ND FAILURE CODE DIGIT: Grid diagram reading
3RD FAILURE CODE DIGIT: Grid diagram reading

2ND FAILURE CODE DIGIT



FRM1382



FRM1383

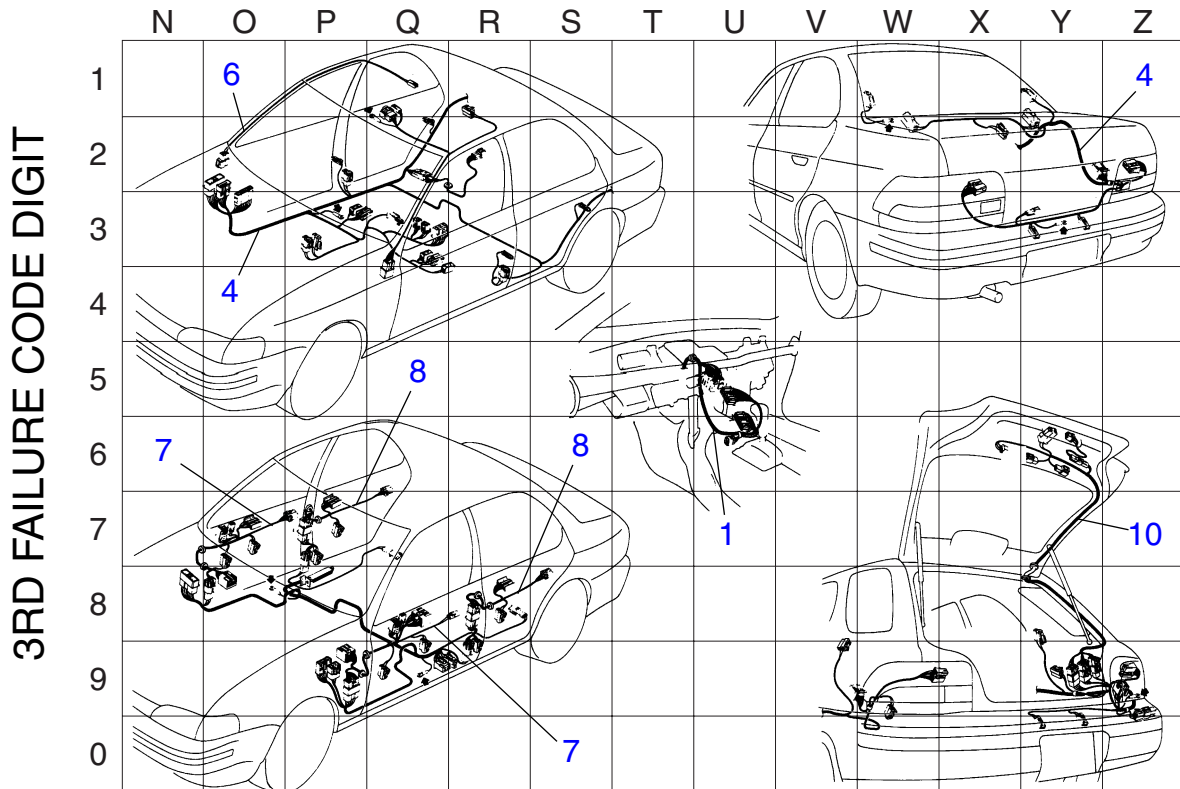
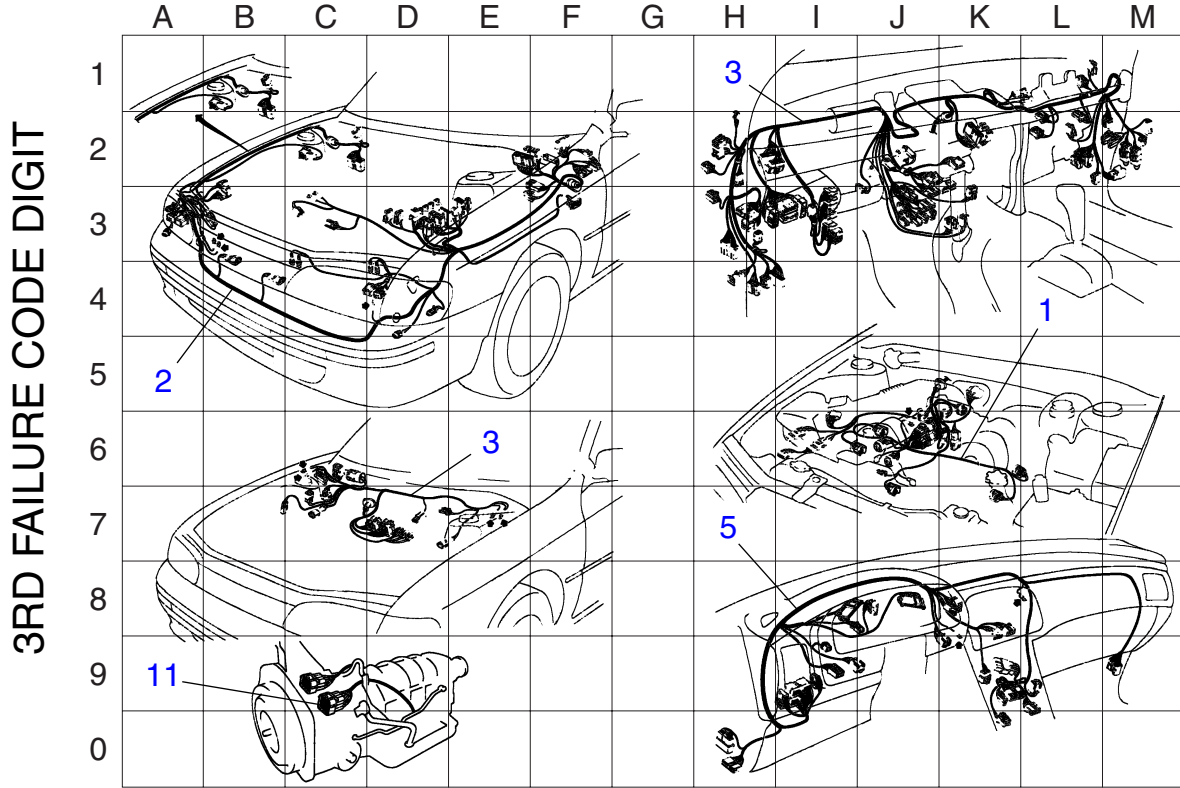
ELG

ELECTRICAL LOCATION GRID 4

IMPREZA 1 (LHD)

1ST FAILURE CODE DIGIT: "V" (Fixed code)
 2ND FAILURE CODE DIGIT: Grid diagram reading
 3RD FAILURE CODE DIGIT: Grid diagram reading

2ND FAILURE CODE DIGIT



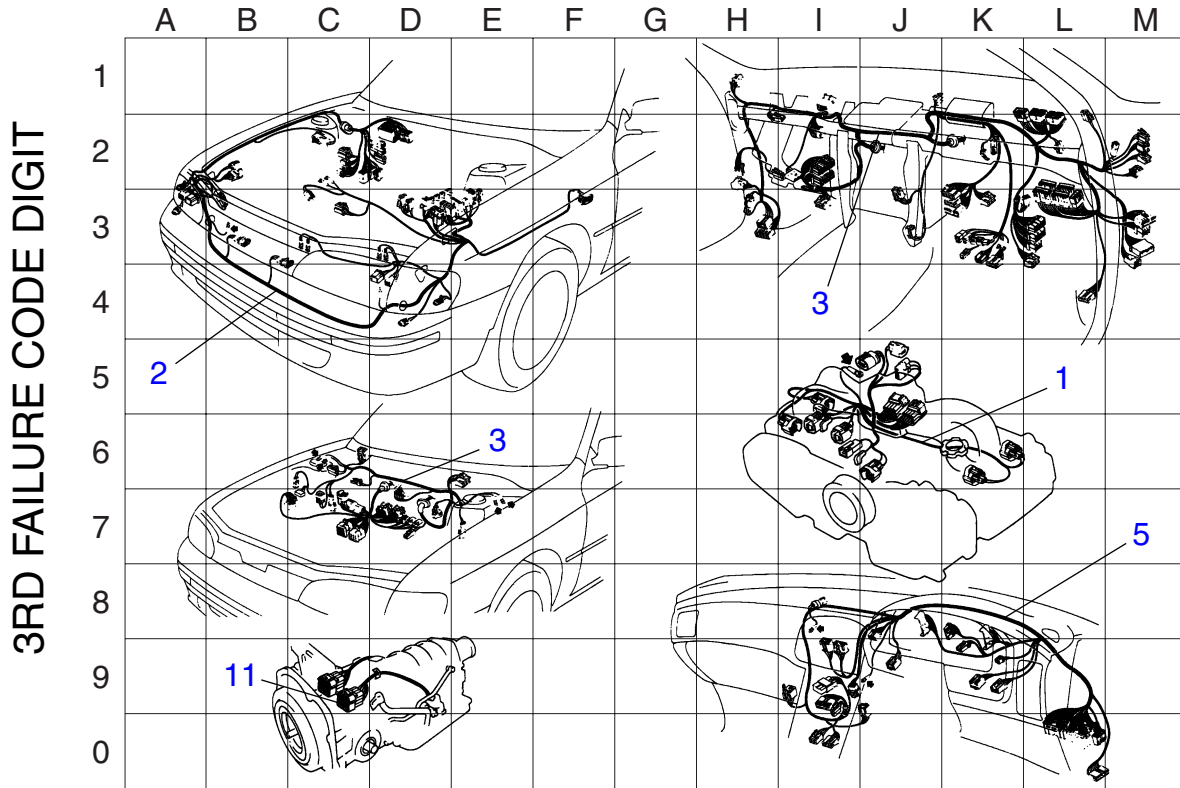
ELG

ELECTRICAL LOCATION GRID 5

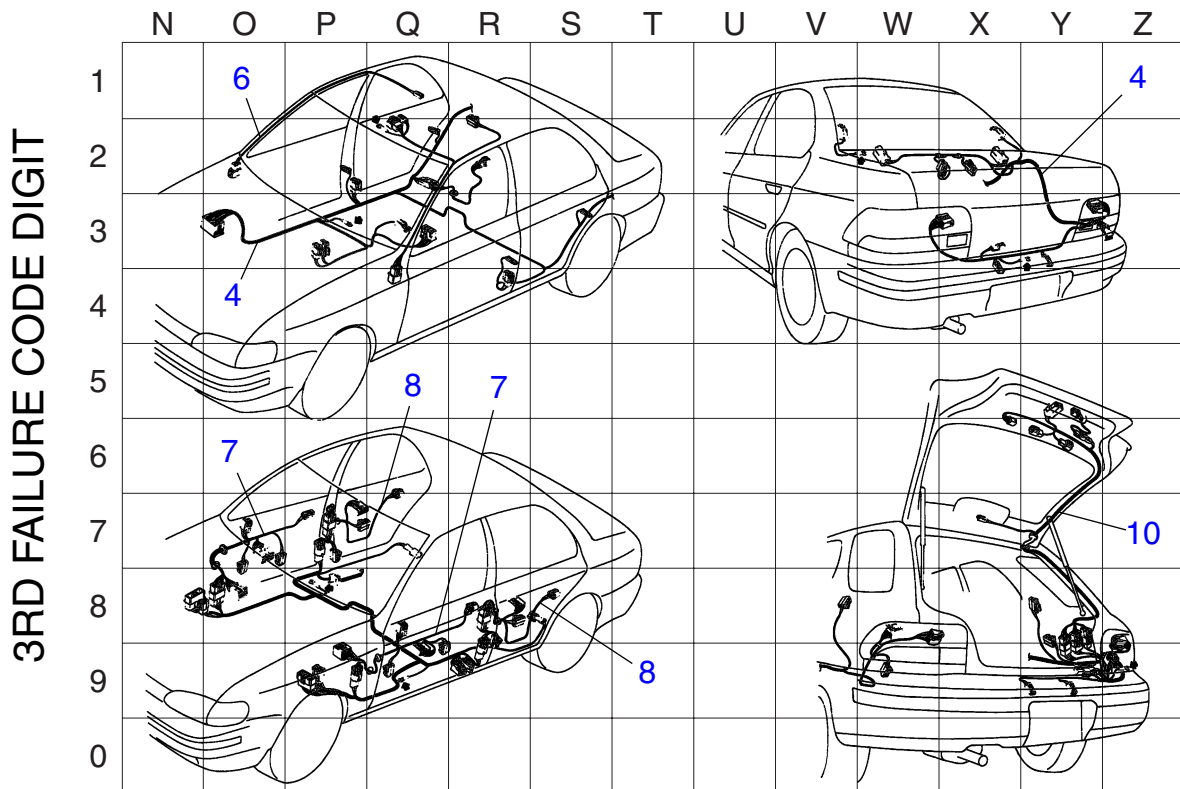
IMPREZA 1 (RHD)

1ST FAILURE CODE DIGIT: "V" (Fixed code)
 2ND FAILURE CODE DIGIT: Grid diagram reading
 3RD FAILURE CODE DIGIT: Grid diagram reading

2ND FAILURE CODE DIGIT



FRM1297



FRM1216

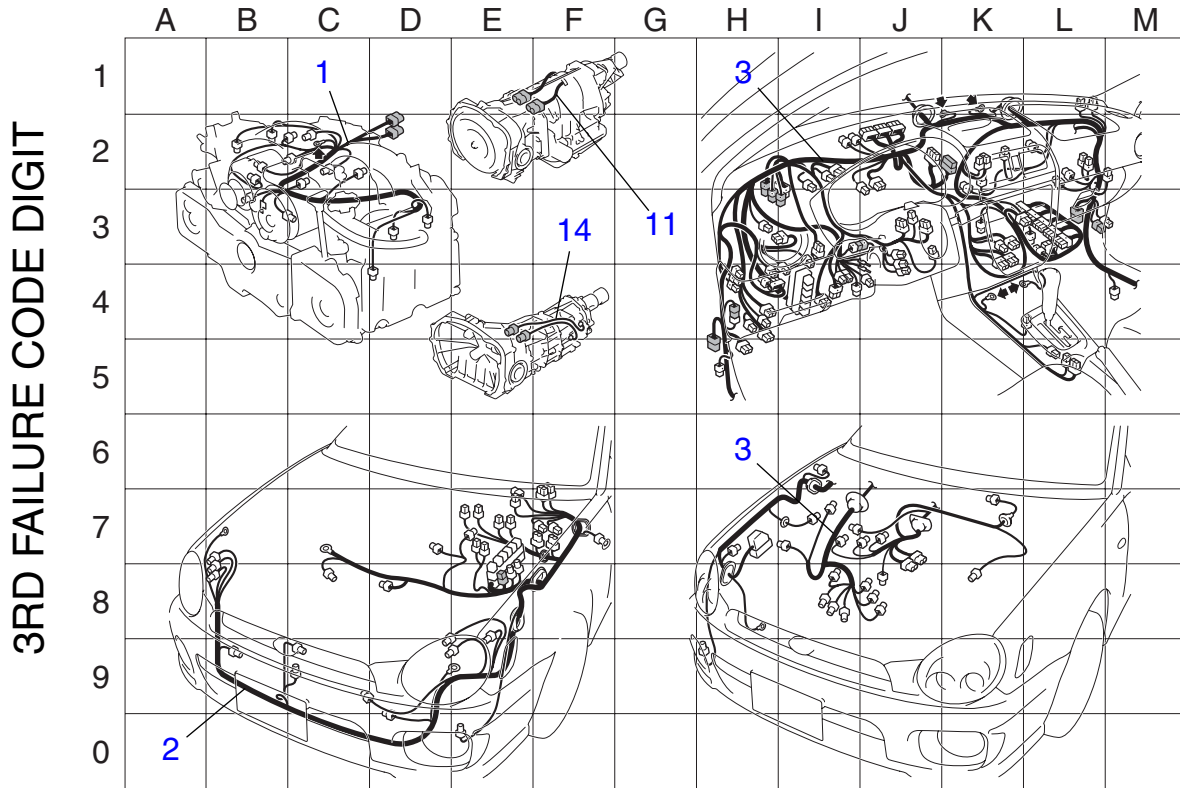
ELG

ELECTRICAL LOCATION GRID 6

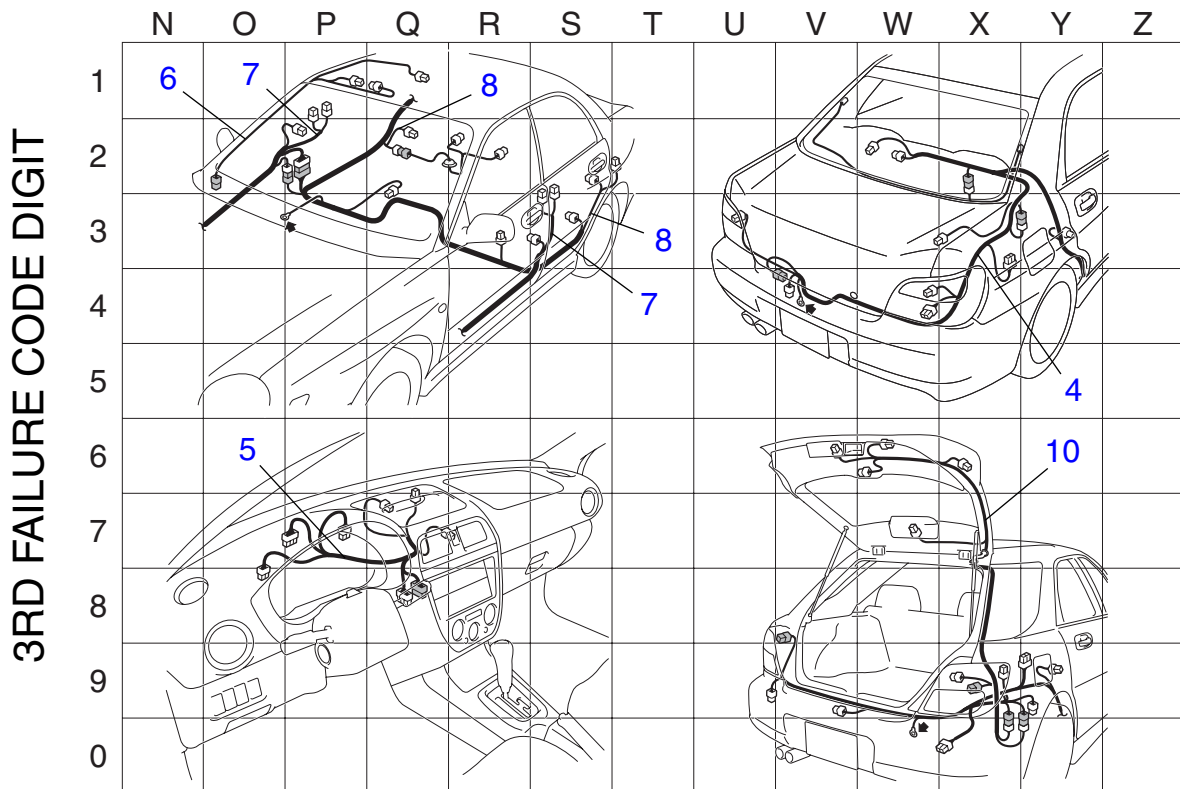
IMPREZA 2 (LHD)

1ST FAILURE CODE DIGIT: "V" (Fixed code)
 2ND FAILURE CODE DIGIT: Grid diagram reading
 3RD FAILURE CODE DIGIT: Grid diagram reading

2ND FAILURE CODE DIGIT



FRM1298



FRM1218

ELG

ELECTRICAL LOCATION GRID 7

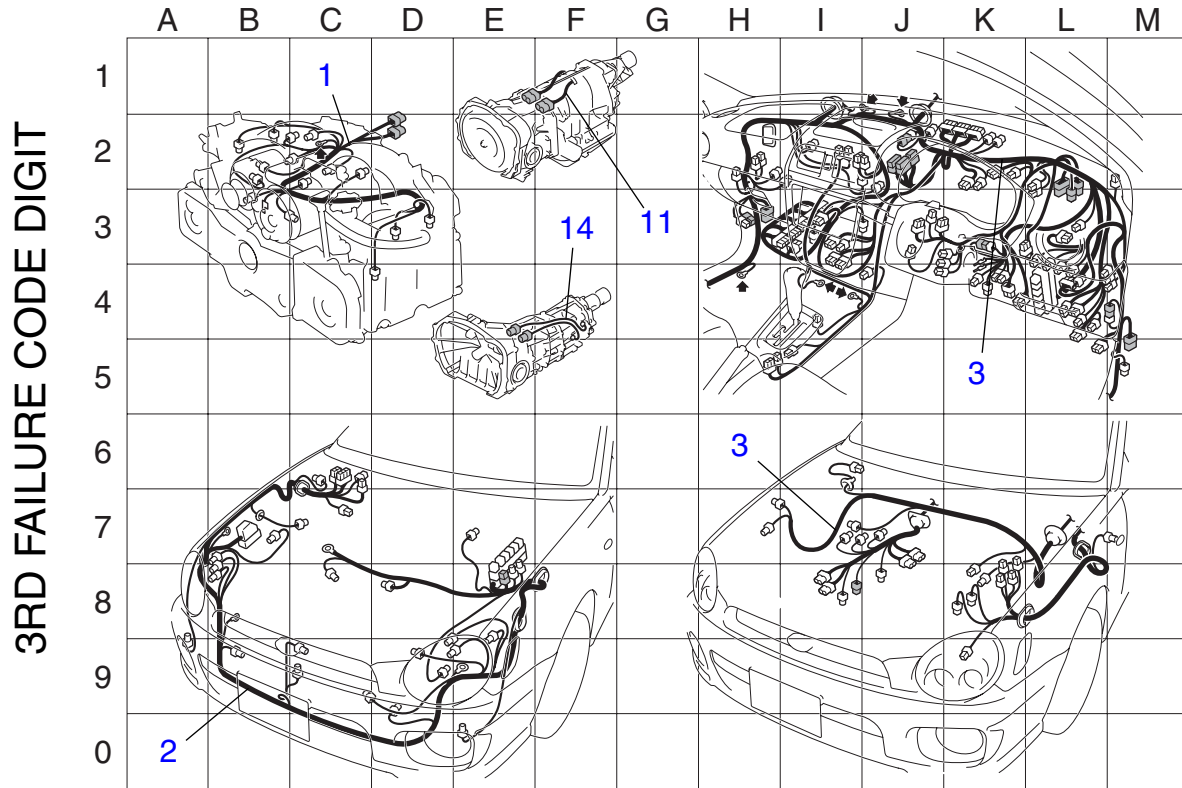
IMPREZA 2 (RHD)

1ST FAILURE CODE DIGIT: "V" (Fixed code)

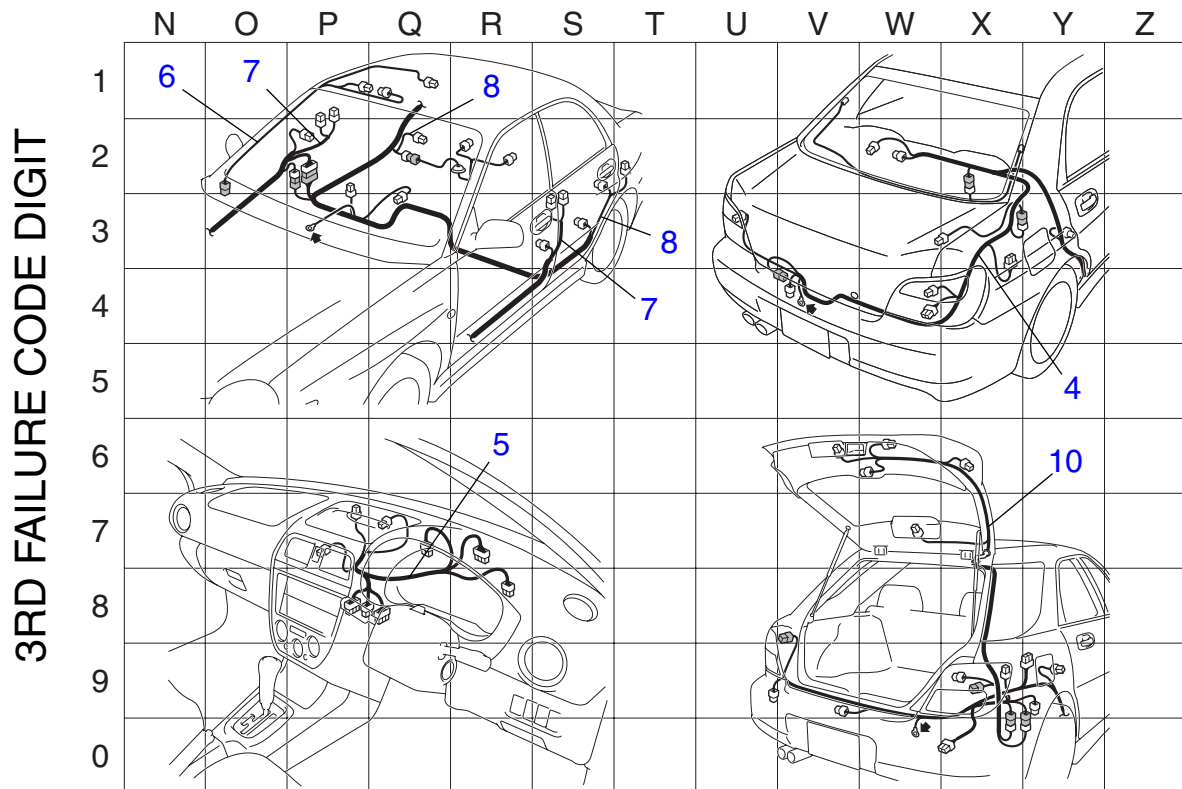
2ND FAILURE CODE DIGIT: Grid diagram reading

3RD FAILURE CODE DIGIT: Grid diagram reading

2ND FAILURE CODE DIGIT



FRM1299



FRM1220

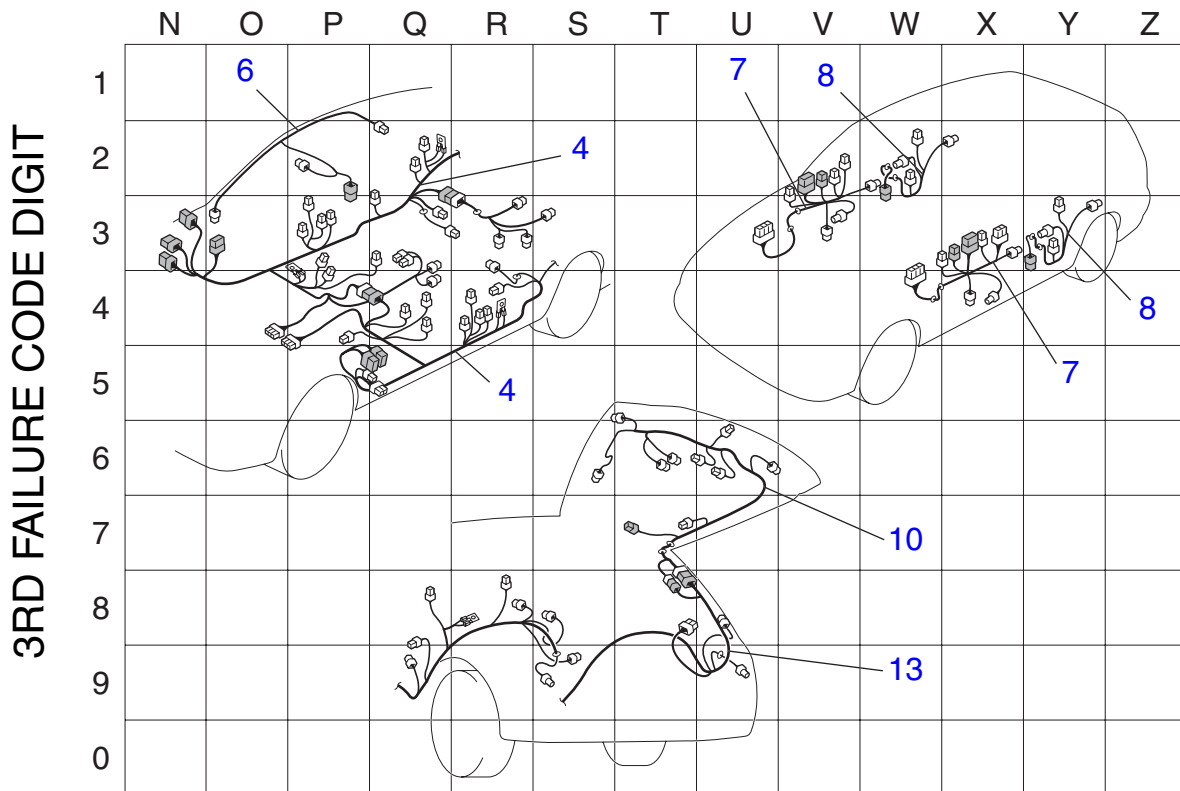
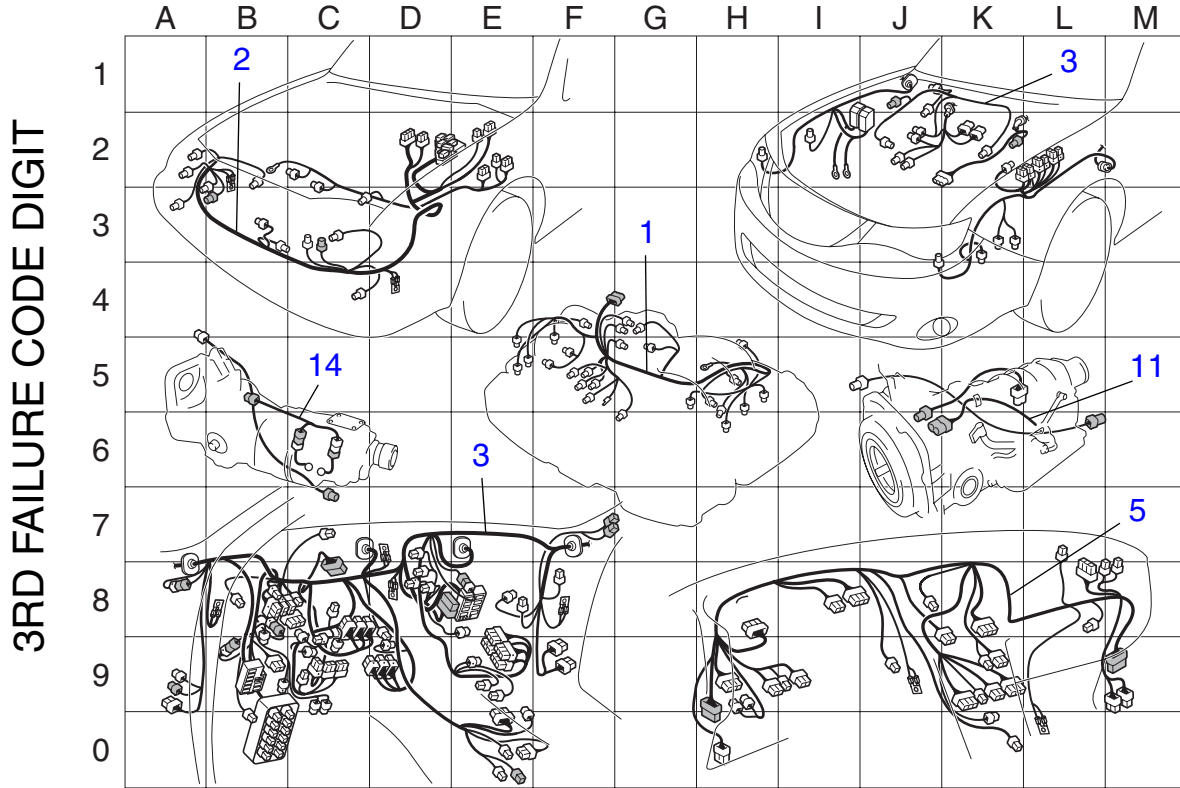
ELG

ELECTRICAL LOCATION GRID 8

IMPREZA 3 (LHD)

1ST FAILURE CODE DIGIT: "V" (Fixed code)
2ND FAILURE CODE DIGIT: Grid diagram reading
3RD FAILURE CODE DIGIT: Grid diagram reading

2ND FAILURE CODE DIGIT



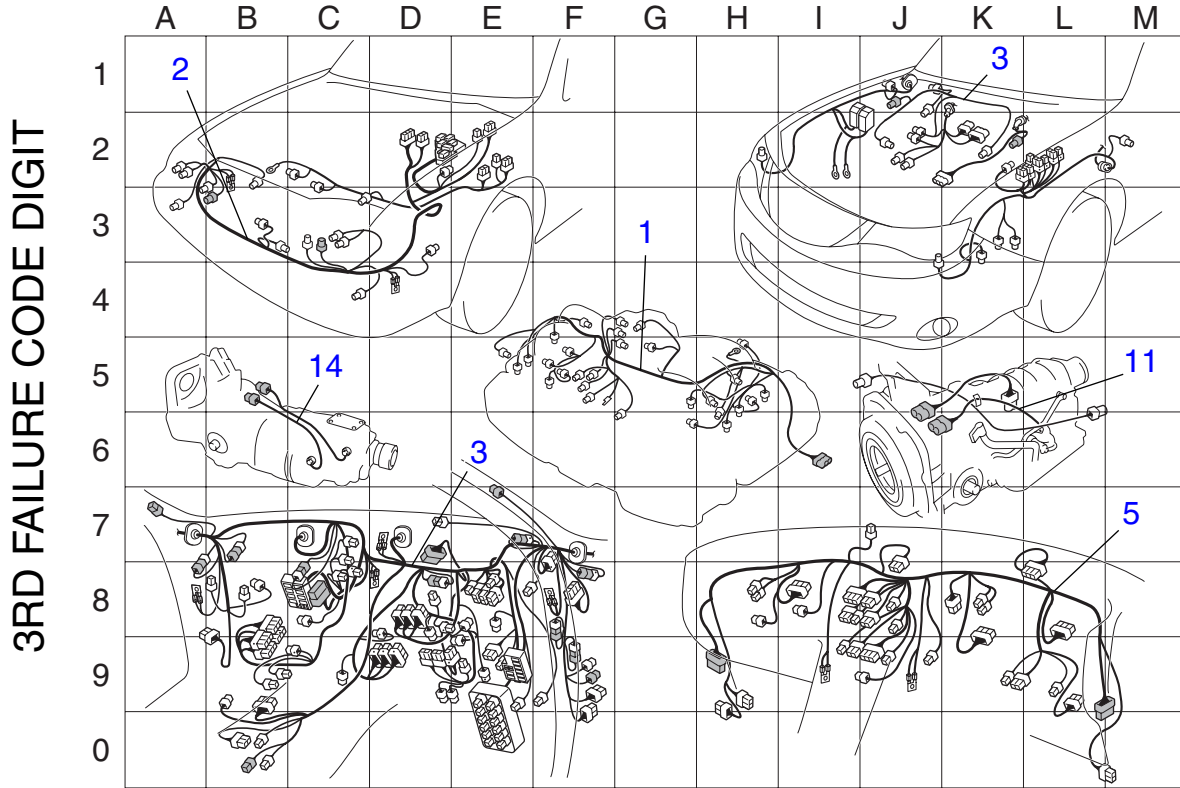
ELG

ELECTRICAL LOCATION GRID 9

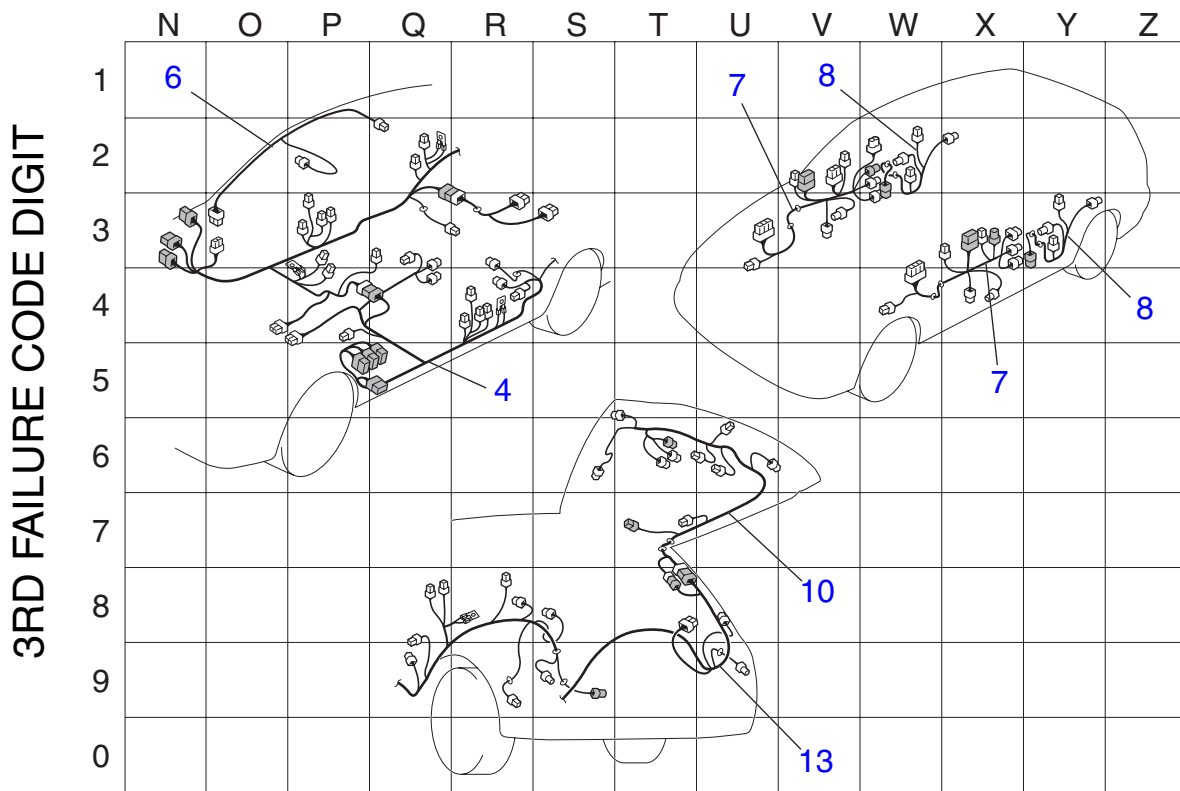
IMPREZA 3 (RHD)

1ST FAILURE CODE DIGIT: "V" (Fixed code)
2ND FAILURE CODE DIGIT: Grid diagram reading
3RD FAILURE CODE DIGIT: Grid diagram reading

2ND FAILURE CODE DIGIT



FRM1293



FRM1294

ELG

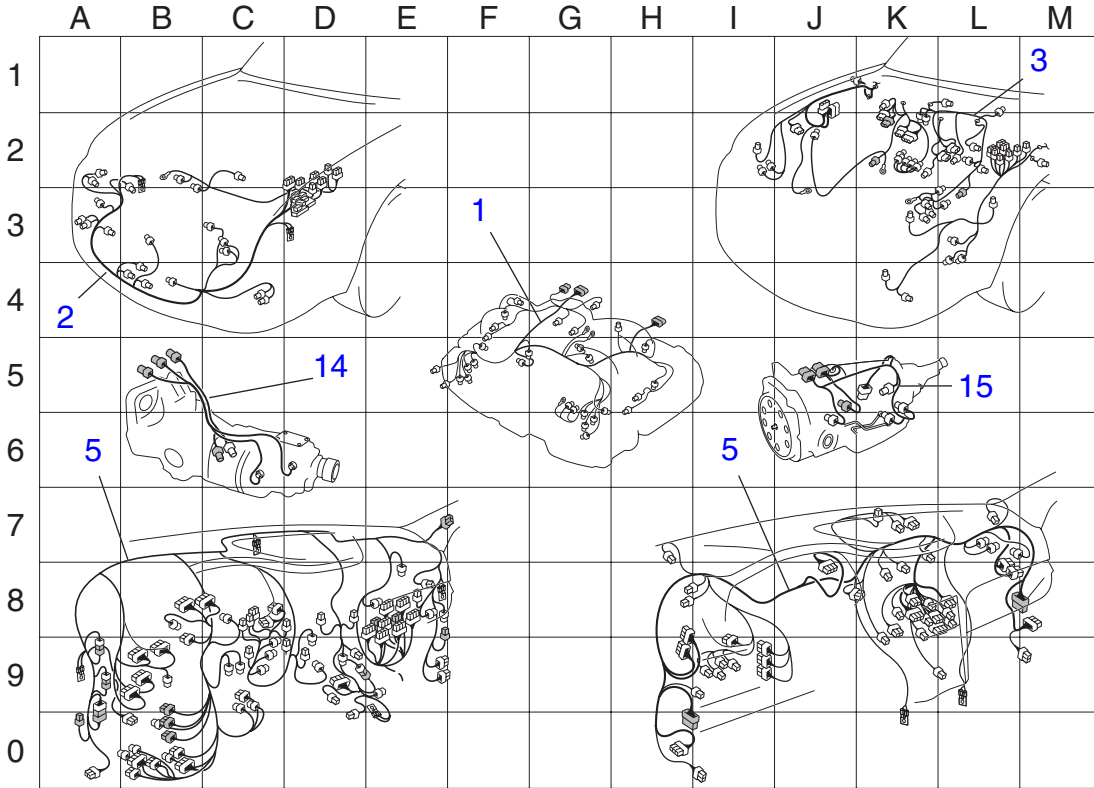
ELECTRICAL LOCATION GRID 10

IMPREZA 4 (LHD)

1ST FAILURE CODE DIGIT: "V" (Fixed code)
2ND FAILURE CODE DIGIT: Grid diagram reading
3RD FAILURE CODE DIGIT: Grid diagram reading

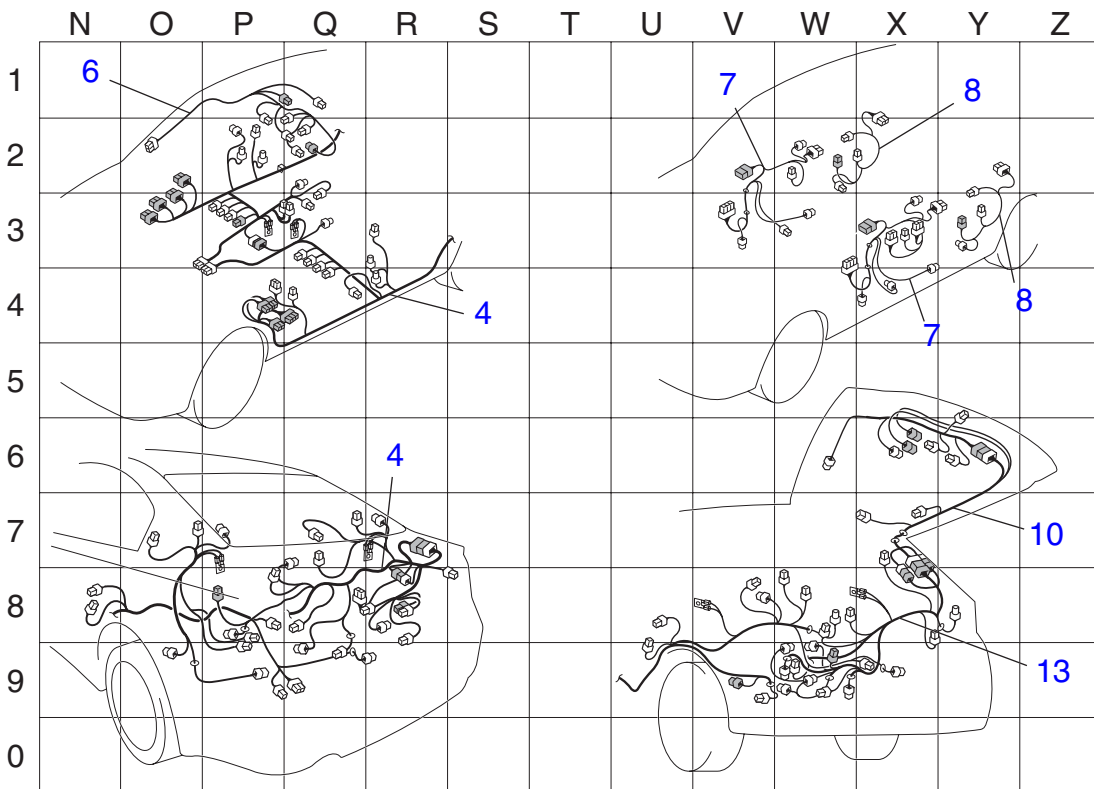
2ND FAILURE CODE DIGIT

3RD FAILURE CODE DIGIT



FRM1393

3RD FAILURE CODE DIGIT



FRM1394

ELG

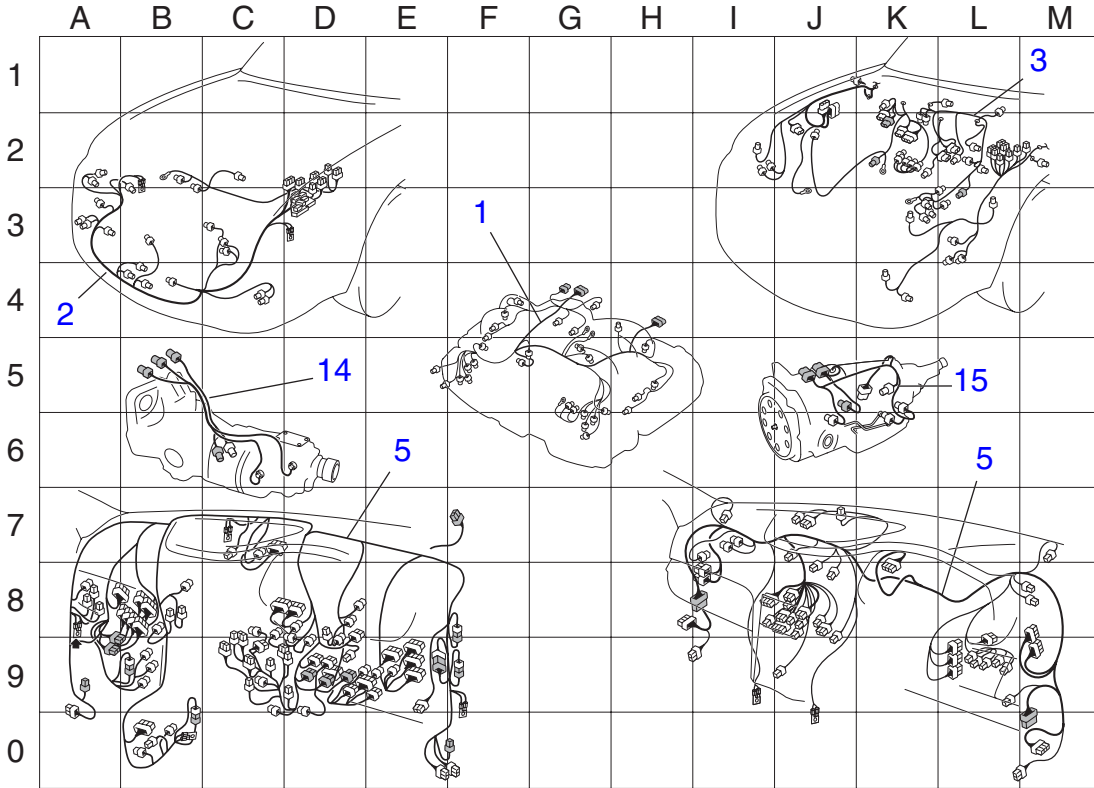
ELECTRICAL LOCATION GRID 11

IMPREZA 4 (RHD)

1ST FAILURE CODE DIGIT: "V" (Fixed code)
2ND FAILURE CODE DIGIT: Grid diagram reading
3RD FAILURE CODE DIGIT: Grid diagram reading

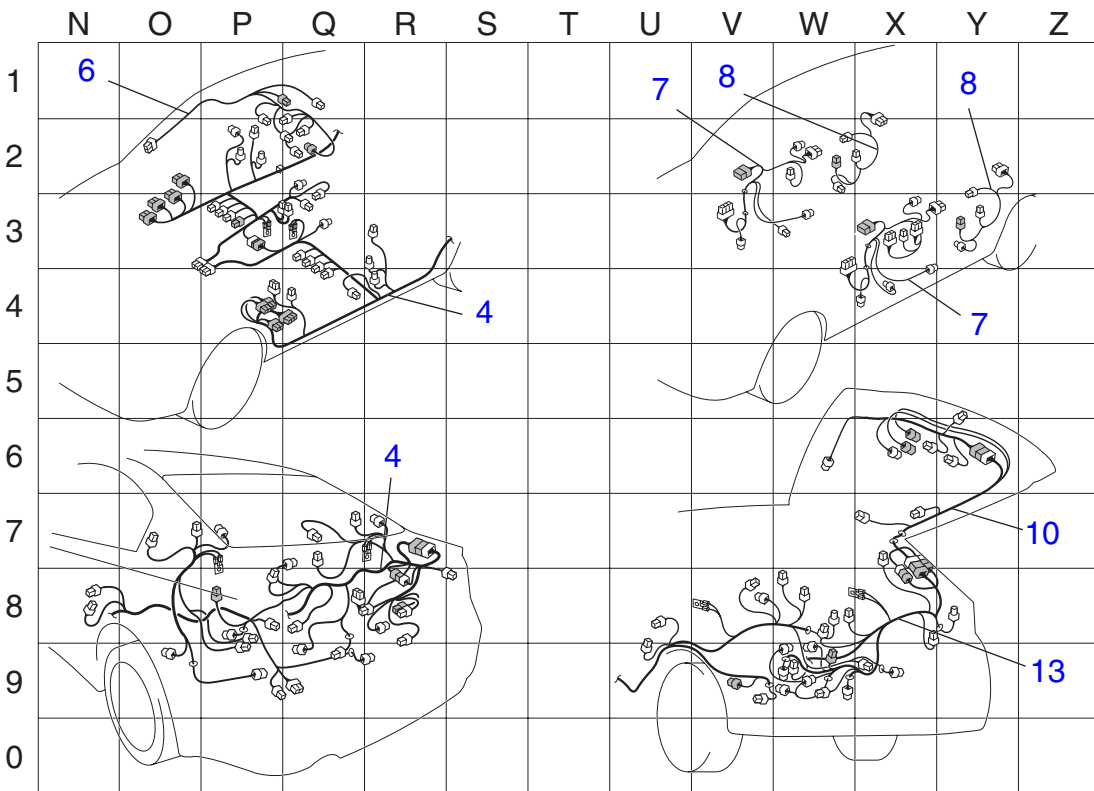
2ND FAILURE CODE DIGIT

3RD FAILURE CODE DIGIT



FRM1395

3RD FAILURE CODE DIGIT



FRM1396

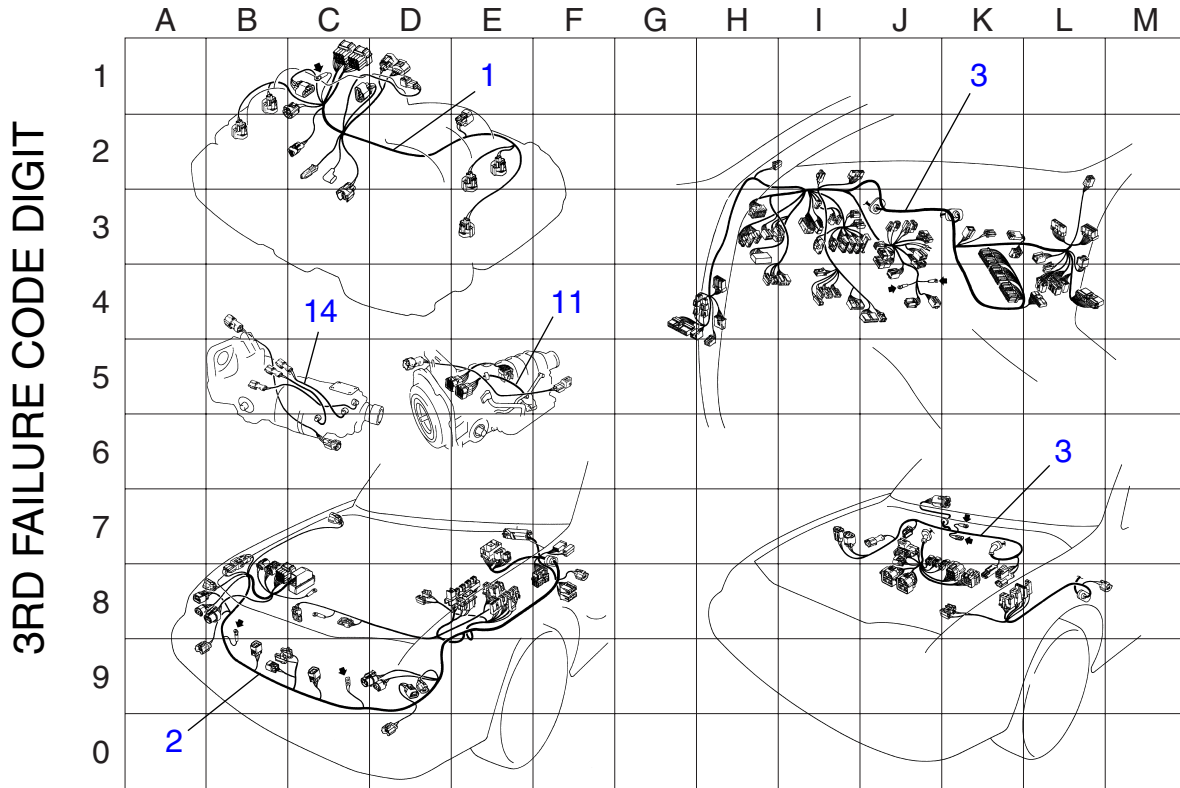
ELG

ELECTRICAL LOCATION GRID 12

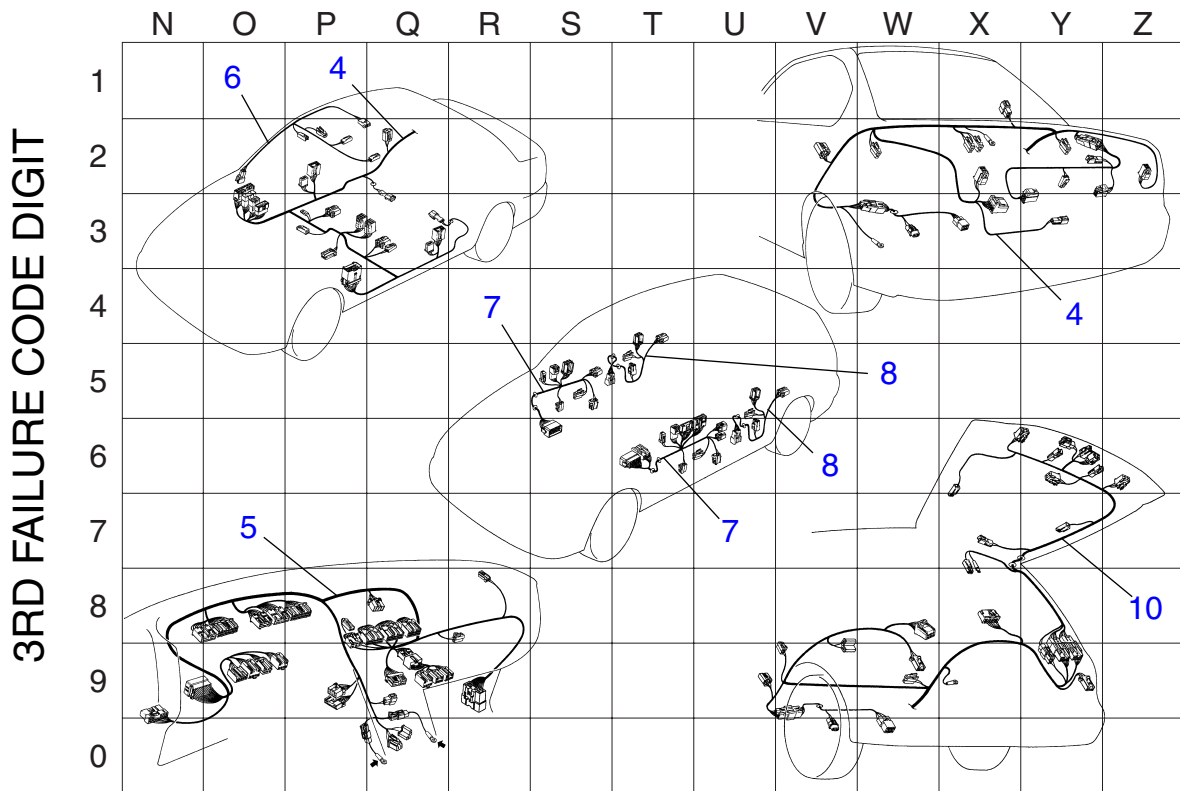
LEGACY 3 (LHD)

1ST FAILURE CODE DIGIT: "V" (Fixed code)
2ND FAILURE CODE DIGIT: Grid diagram reading
3RD FAILURE CODE DIGIT: Grid diagram reading

2ND FAILURE CODE DIGIT



FRM1300



FRM1222

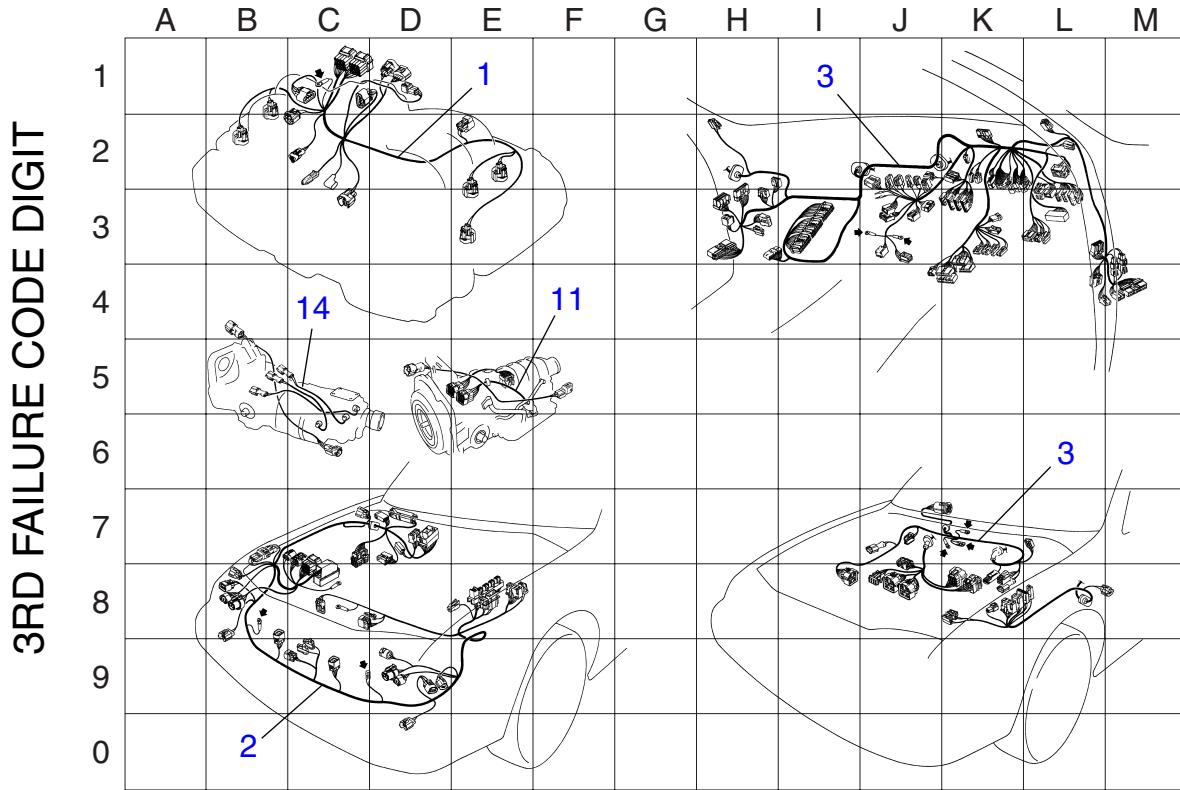
ELG

ELECTRICAL LOCATION GRID 13

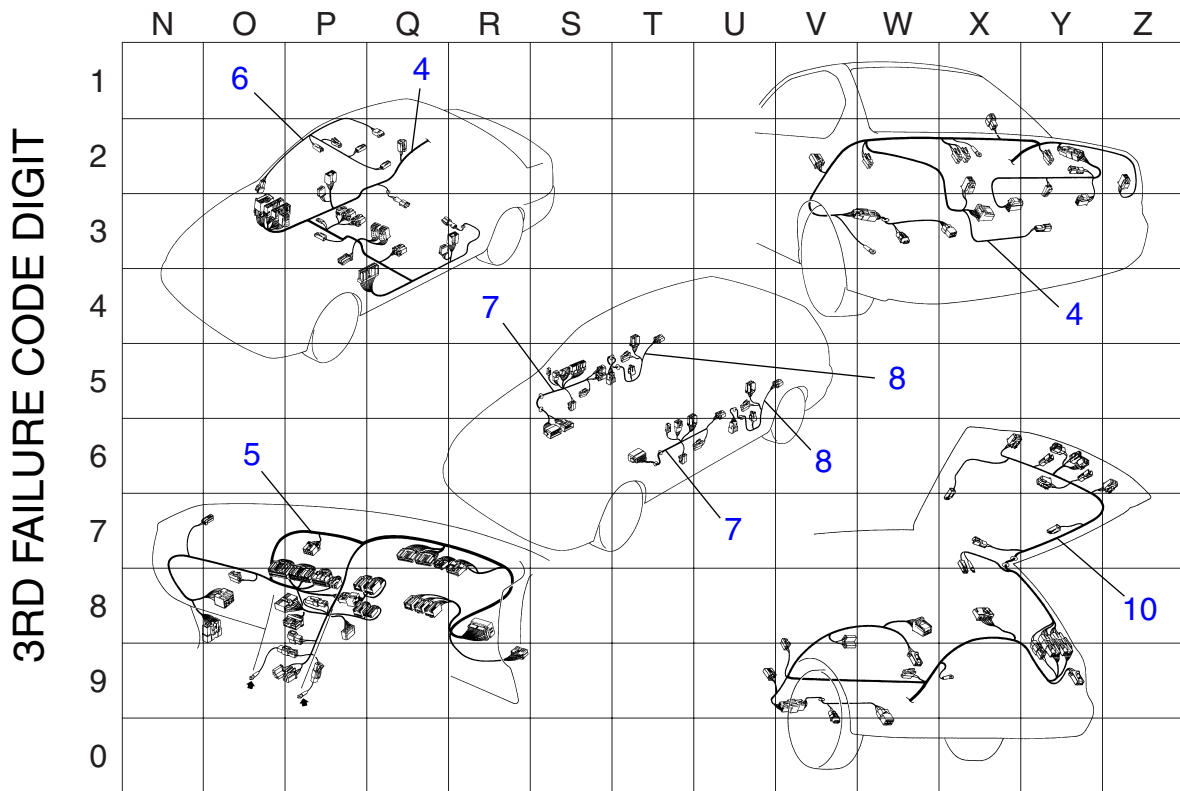
LEGACY 3 (RHD)

1ST FAILURE CODE DIGIT: "V" (Fixed code)
2ND FAILURE CODE DIGIT: Grid diagram reading
3RD FAILURE CODE DIGIT: Grid diagram reading

2ND FAILURE CODE DIGIT



FRM1301



FRM1224

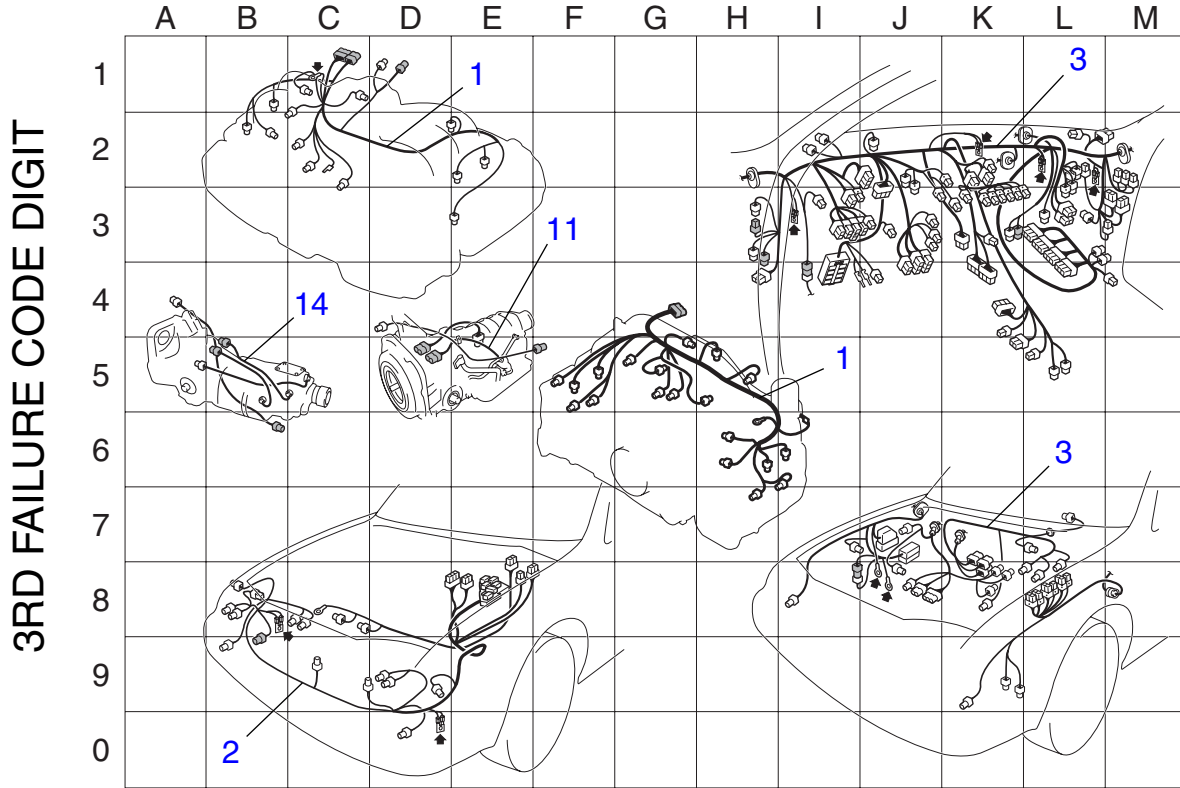
ELG

ELECTRICAL LOCATION GRID 14

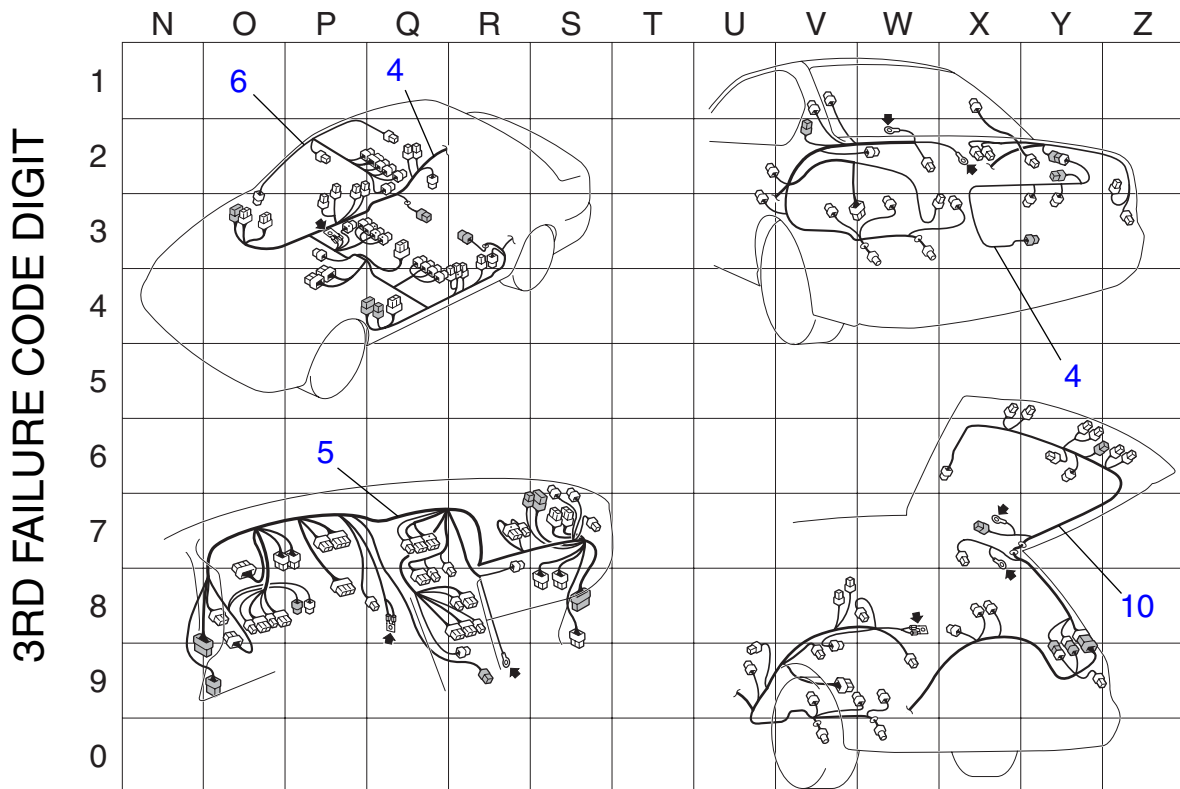
LEGACY 4 (LHD)

1ST FAILURE CODE DIGIT: "V" (Fixed code)
 2ND FAILURE CODE DIGIT: Grid diagram reading
 3RD FAILURE CODE DIGIT: Grid diagram reading

2ND FAILURE CODE DIGIT



FRM1332



FRM1226

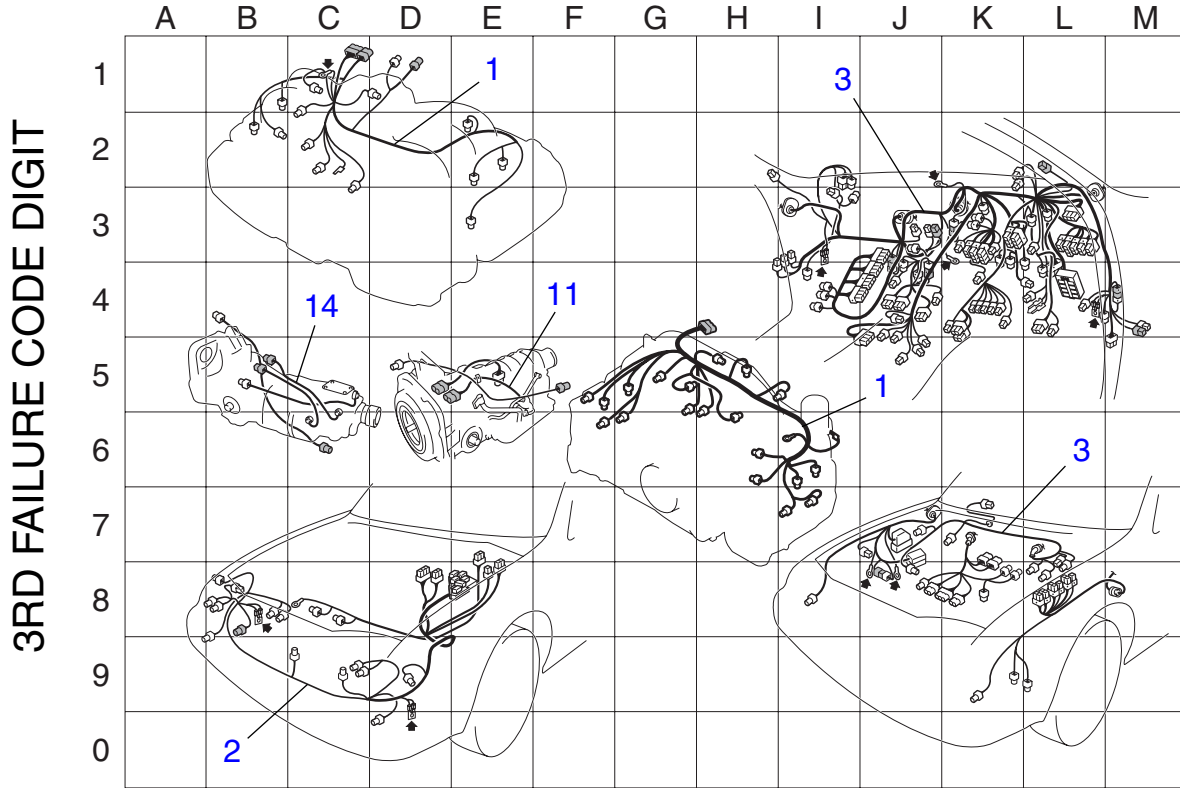
ELG

ELECTRICAL LOCATION GRID 15

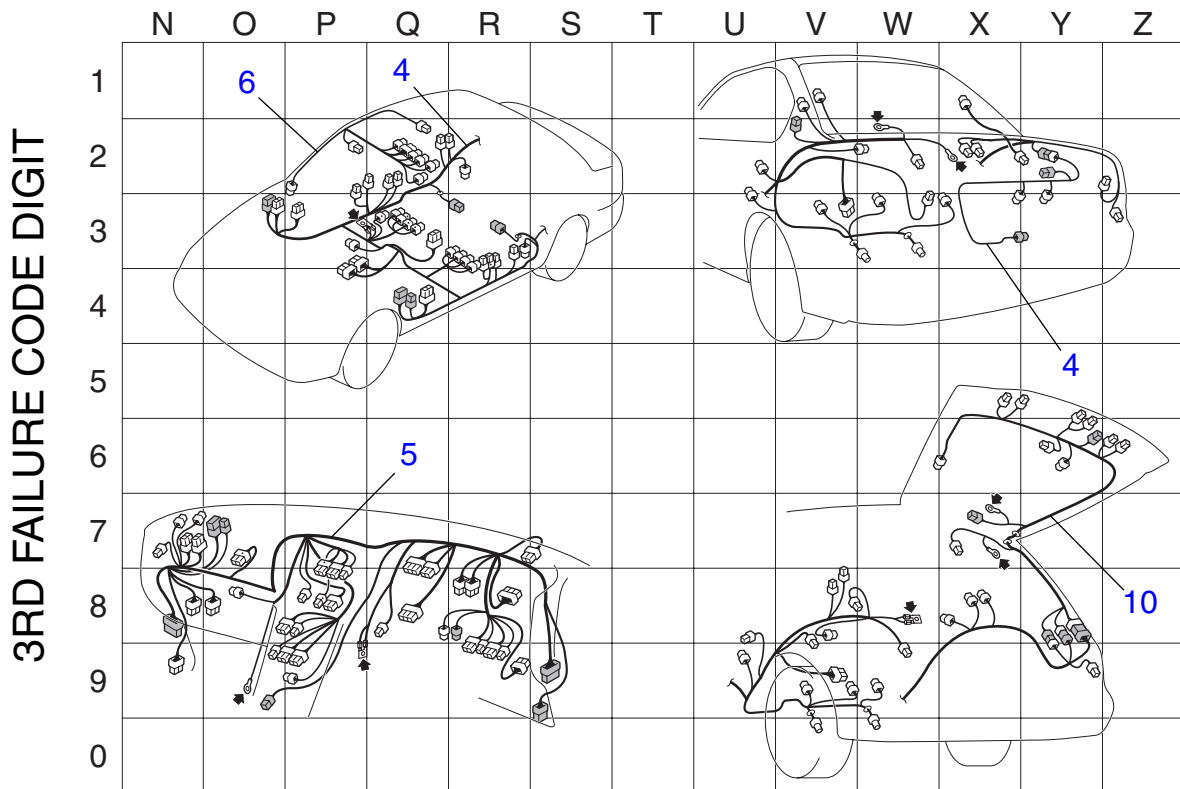
LEGACY 4 (RHD)

1ST FAILURE CODE DIGIT: "V" (Fixed code)
 2ND FAILURE CODE DIGIT: Grid diagram reading
 3RD FAILURE CODE DIGIT: Grid diagram reading

2ND FAILURE CODE DIGIT



FRM1333



FRM1228

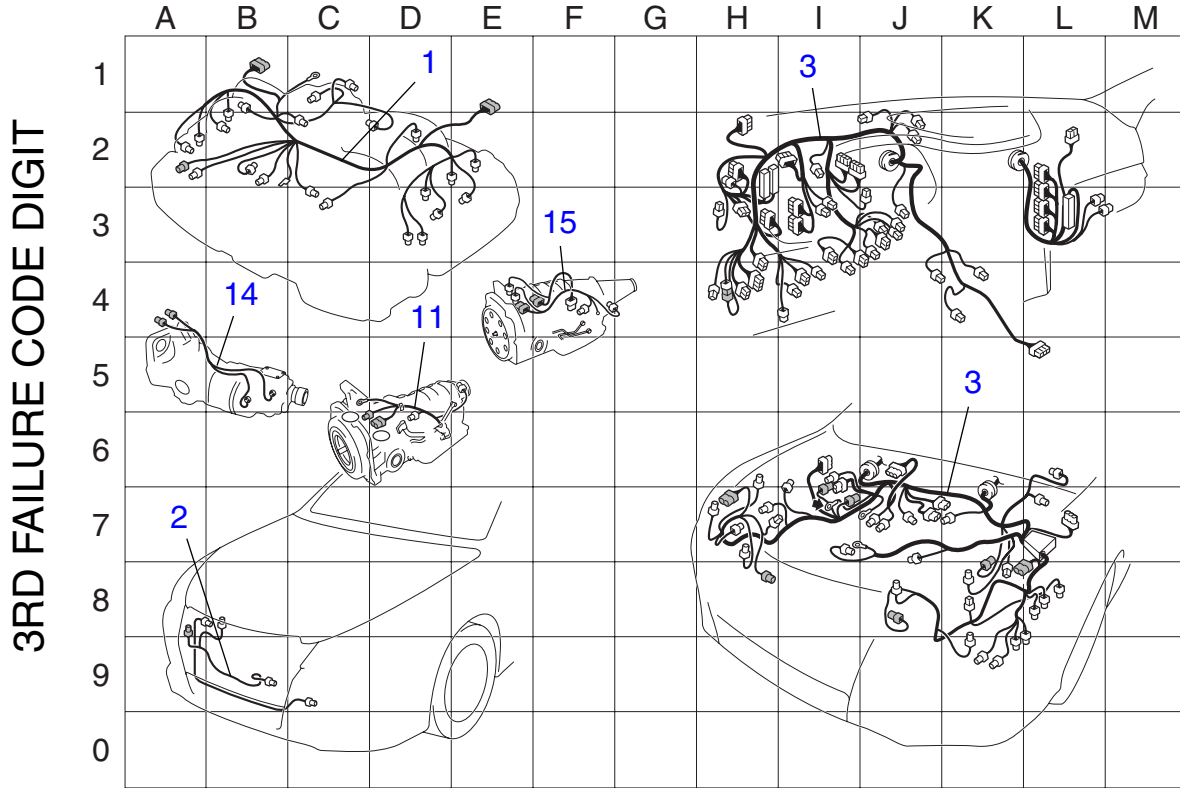
ELG

ELECTRICAL LOCATION GRID 16

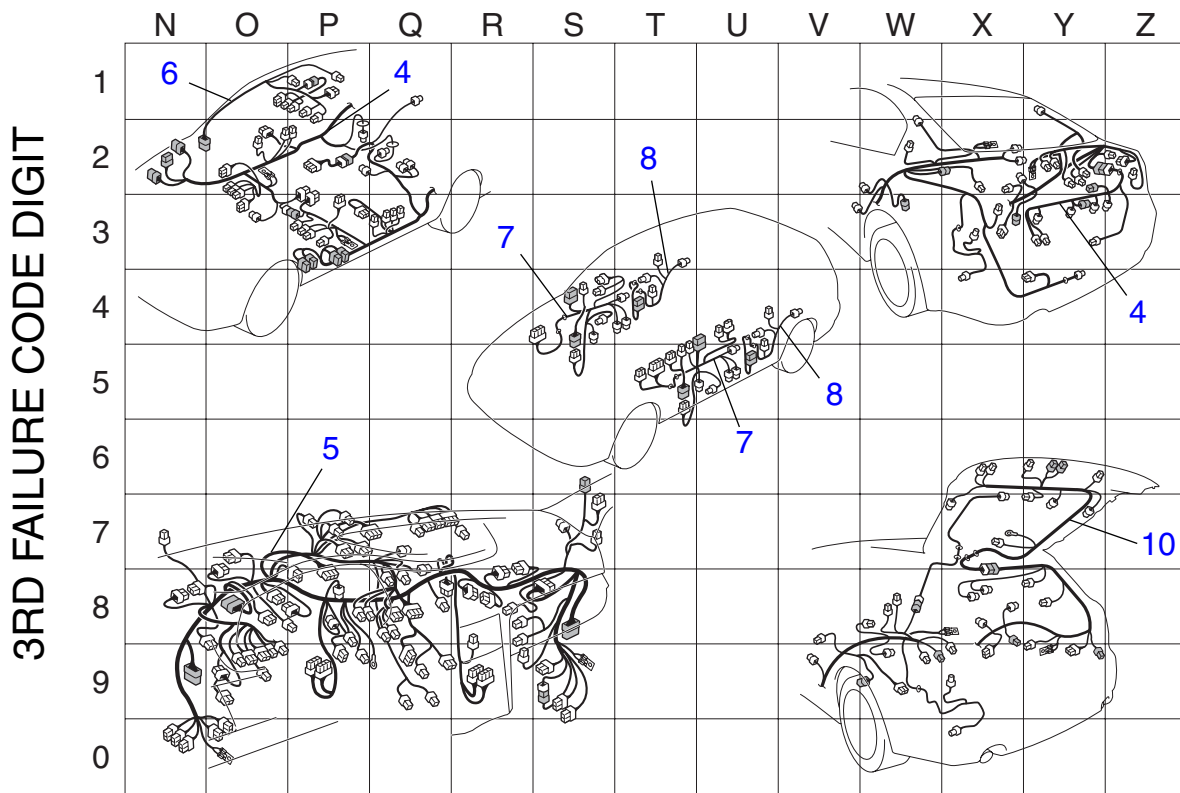
LEGACY 5 (LHD)

1ST FAILURE CODE DIGIT: "V" (Fixed code)
 2ND FAILURE CODE DIGIT: Grid diagram reading
 3RD FAILURE CODE DIGIT: Grid diagram reading

2ND FAILURE CODE DIGIT



FRM1359



FRM1360

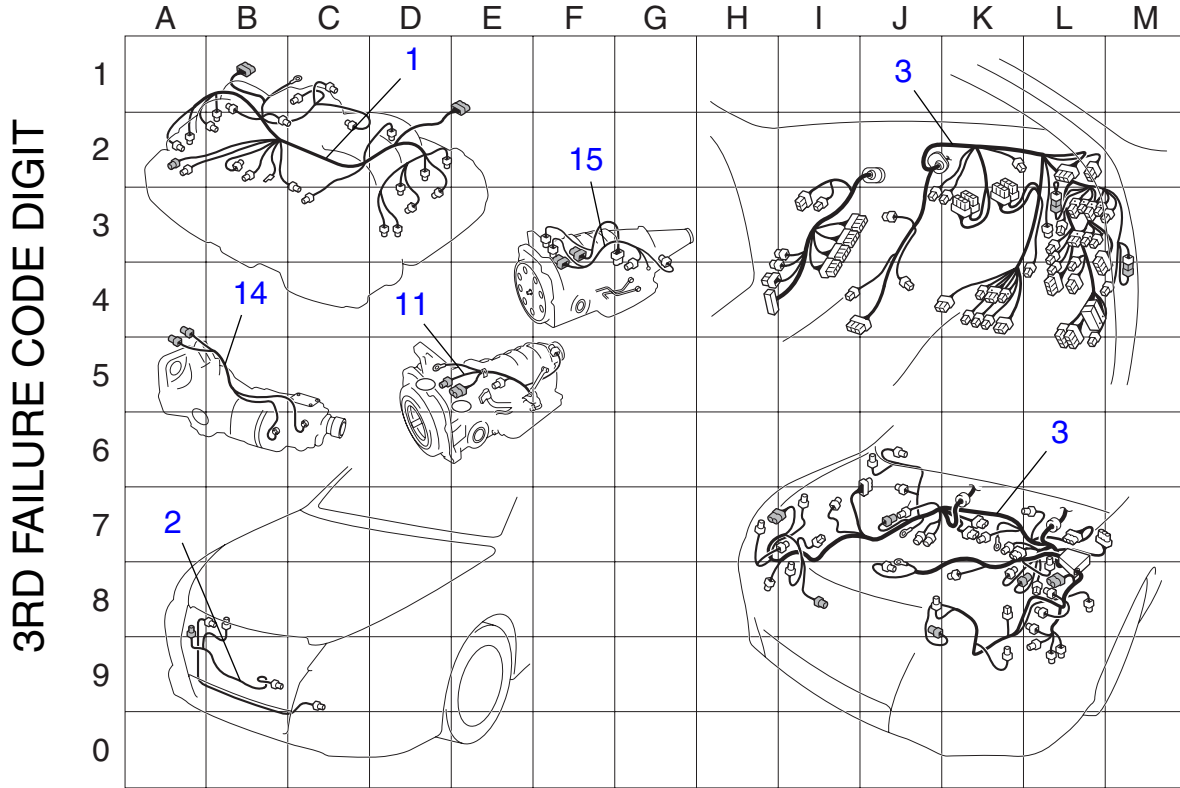
ELG

ELECTRICAL LOCATION GRID 17

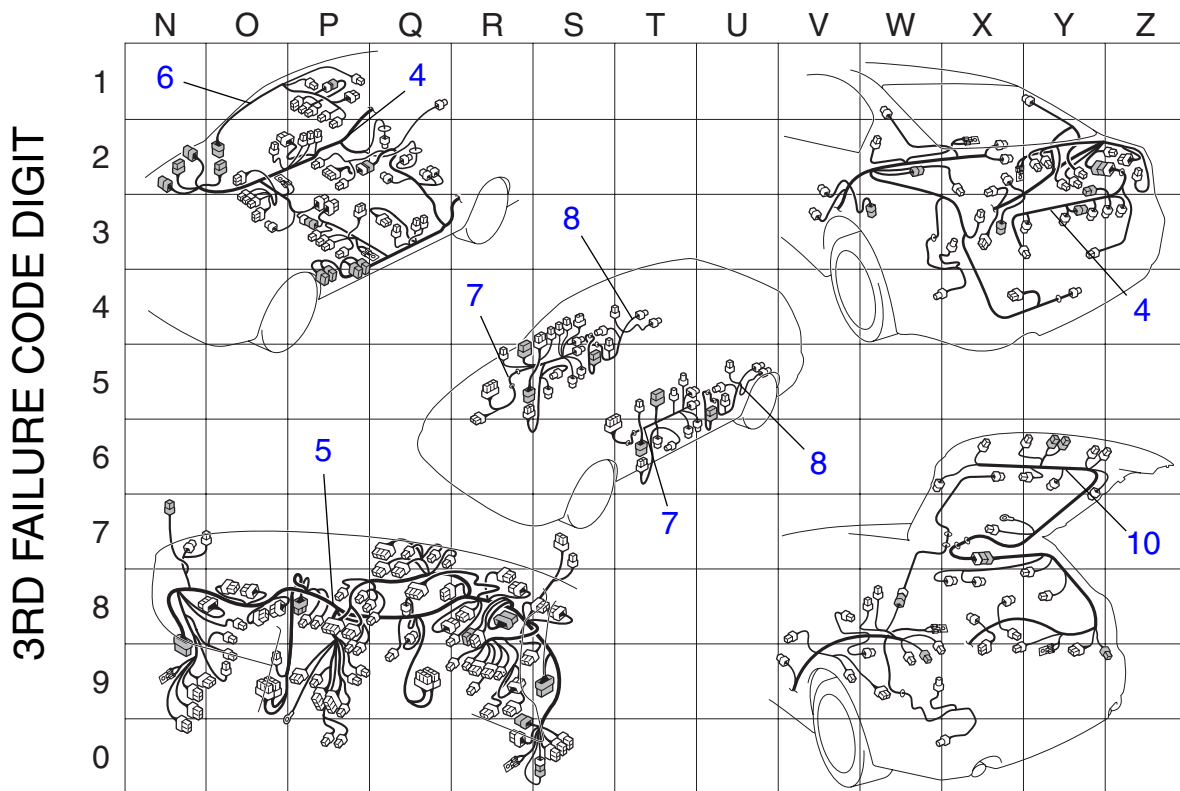
LEGACY 5 (RHD)

1ST FAILURE CODE DIGIT: "V" (Fixed code)
 2ND FAILURE CODE DIGIT: Grid diagram reading
 3RD FAILURE CODE DIGIT: Grid diagram reading

2ND FAILURE CODE DIGIT



FRM1361



FRM1362

ELG

ELECTRICAL LOCATION GRID 18

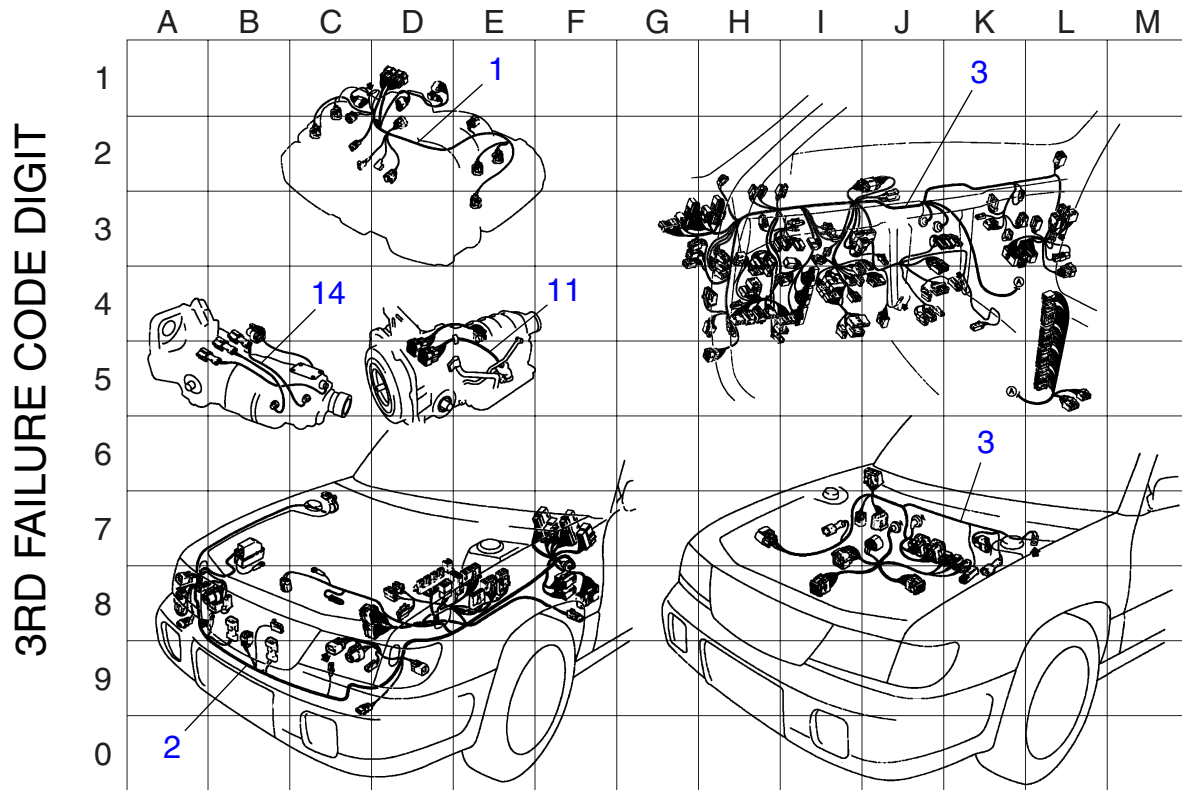
FORESTER 1 (LHD)

1ST FAILURE CODE DIGIT: "V" (Fixed code)

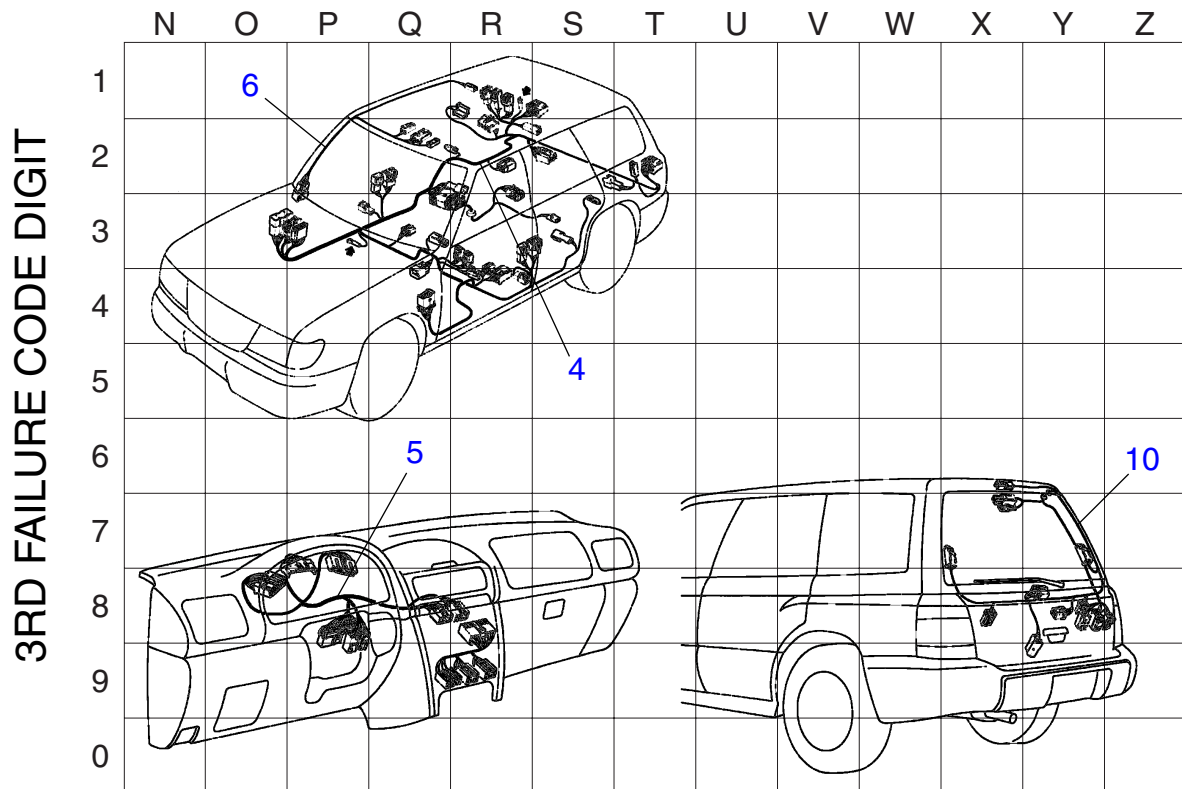
2ND FAILURE CODE DIGIT: Grid diagram reading

3RD FAILURE CODE DIGIT: Grid diagram reading

2ND FAILURE CODE DIGIT



FRM1304



FRM1230

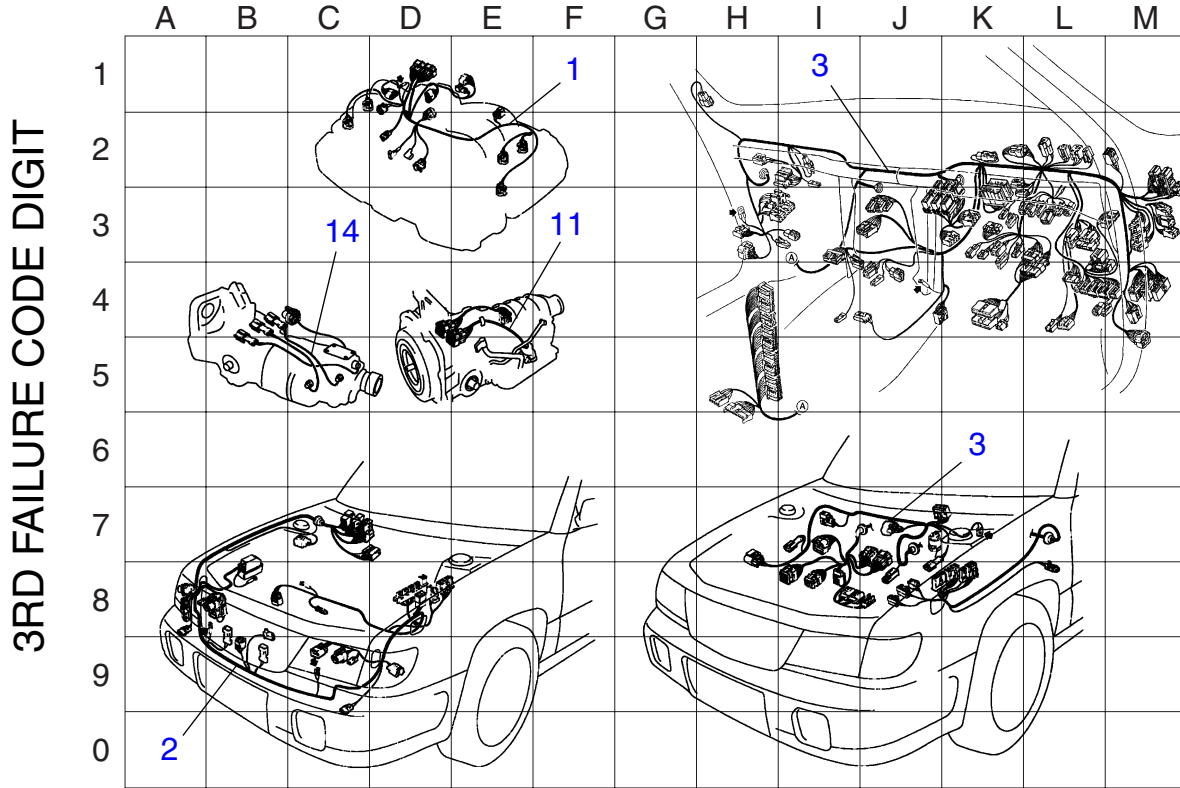
ELG

ELECTRICAL LOCATION GRID 19

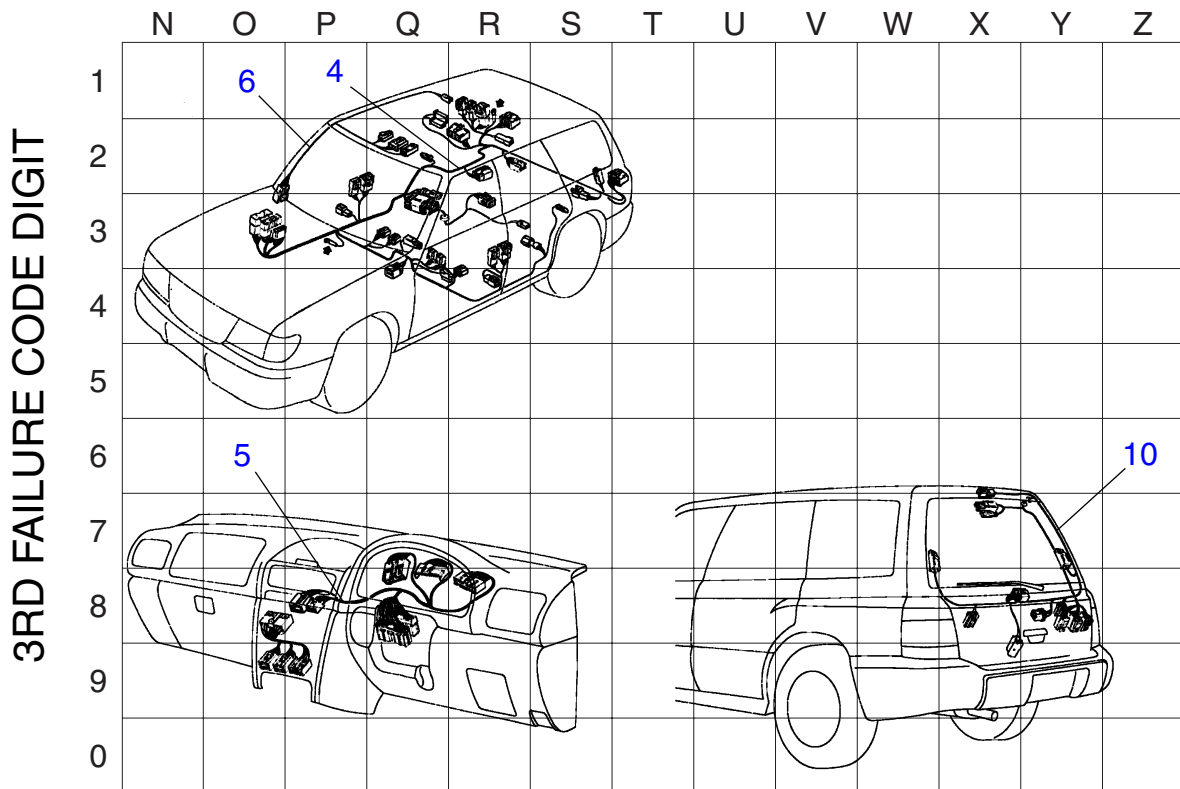
FORESTER 1 (RHD)

1ST FAILURE CODE DIGIT: "V" (Fixed code)
 2ND FAILURE CODE DIGIT: Grid diagram reading
 3RD FAILURE CODE DIGIT: Grid diagram reading

2ND FAILURE CODE DIGIT



FRM1305



FRM1232

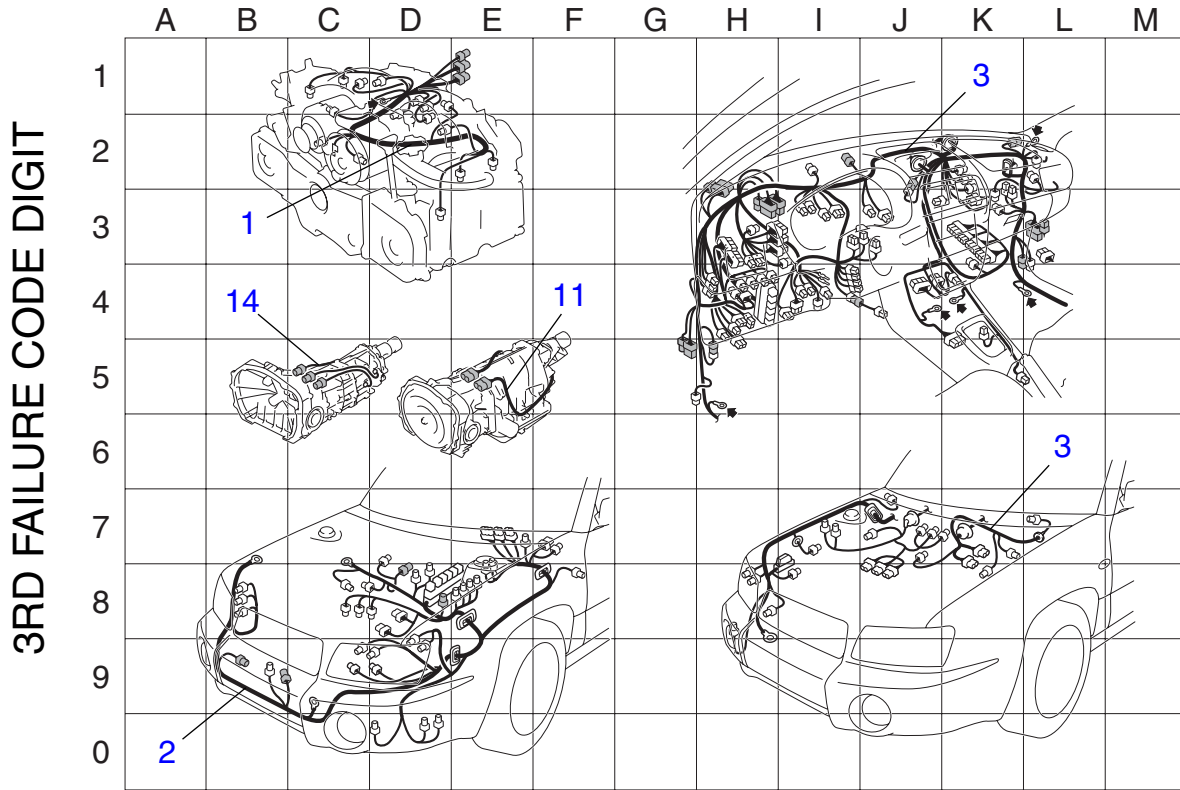
ELG

ELECTRICAL LOCATION GRID 20

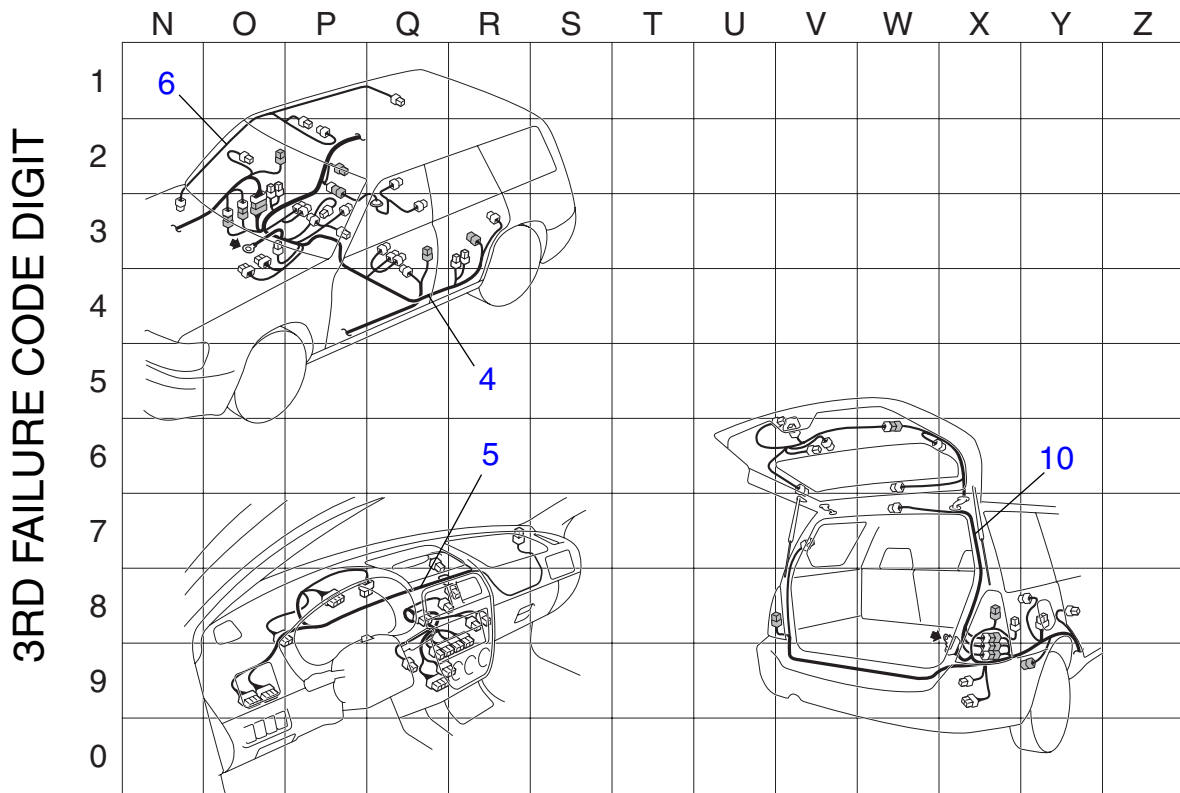
FORESTER 2 (LHD)

1ST FAILURE CODE DIGIT: "V" (Fixed code)
 2ND FAILURE CODE DIGIT: Grid diagram reading
 3RD FAILURE CODE DIGIT: Grid diagram reading

2ND FAILURE CODE DIGIT



FRM1306



FRM1234

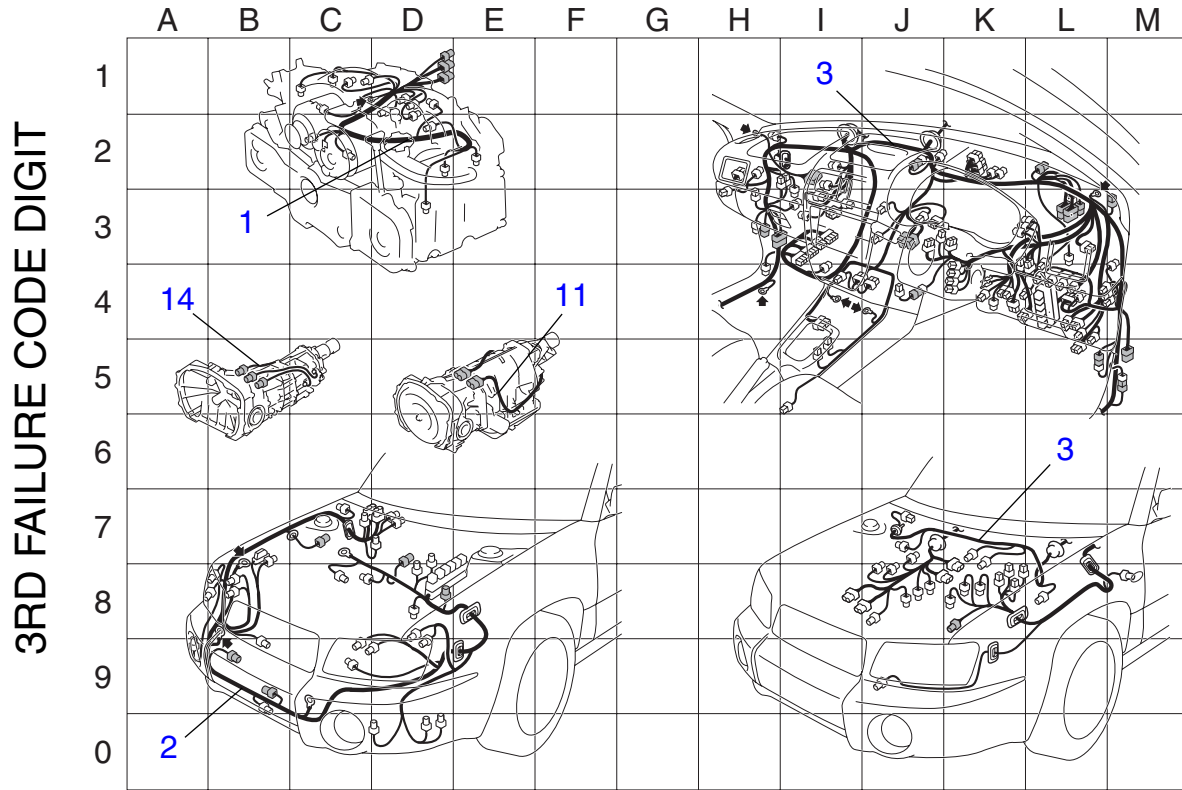
ELG

ELECTRICAL LOCATION GRID 21

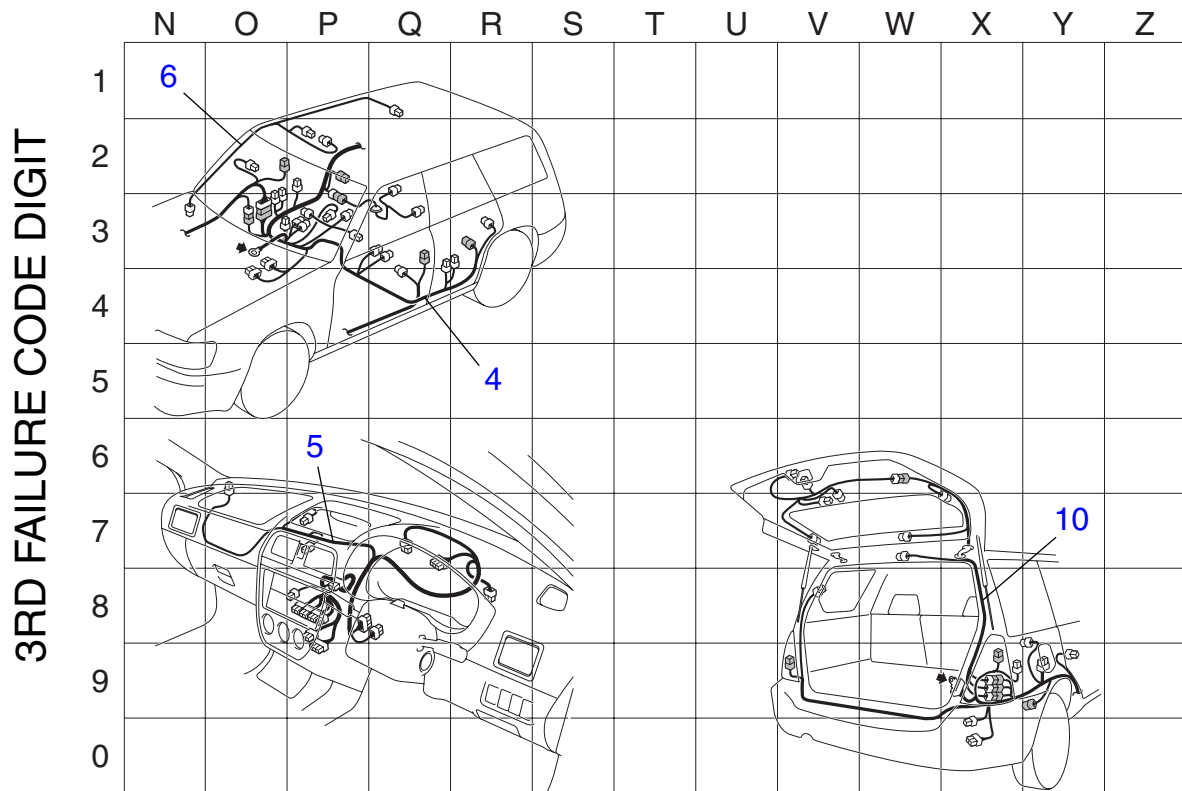
FORESTER 2 (RHD)

1ST FAILURE CODE DIGIT: "V" (Fixed code)
 2ND FAILURE CODE DIGIT: Grid diagram reading
 3RD FAILURE CODE DIGIT: Grid diagram reading

2ND FAILURE CODE DIGIT



FRM1307



FRM1236

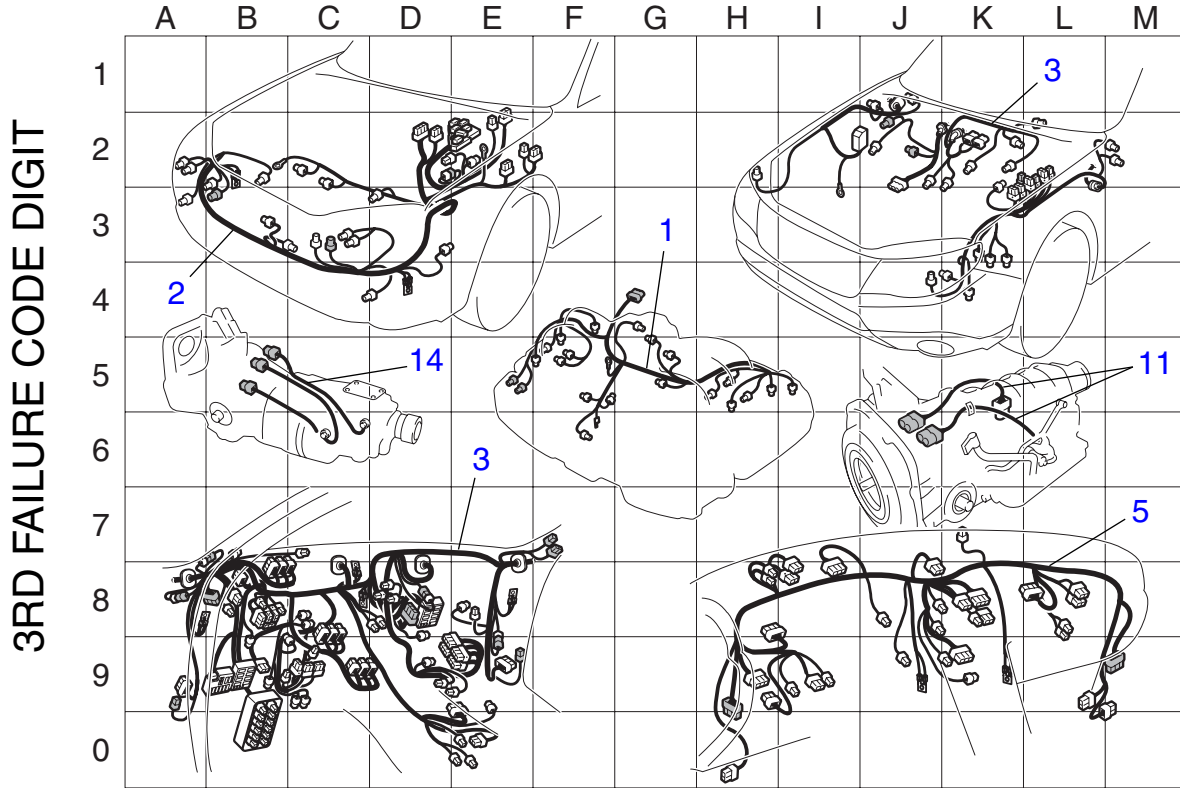
ELG

ELECTRICAL LOCATION GRID 22

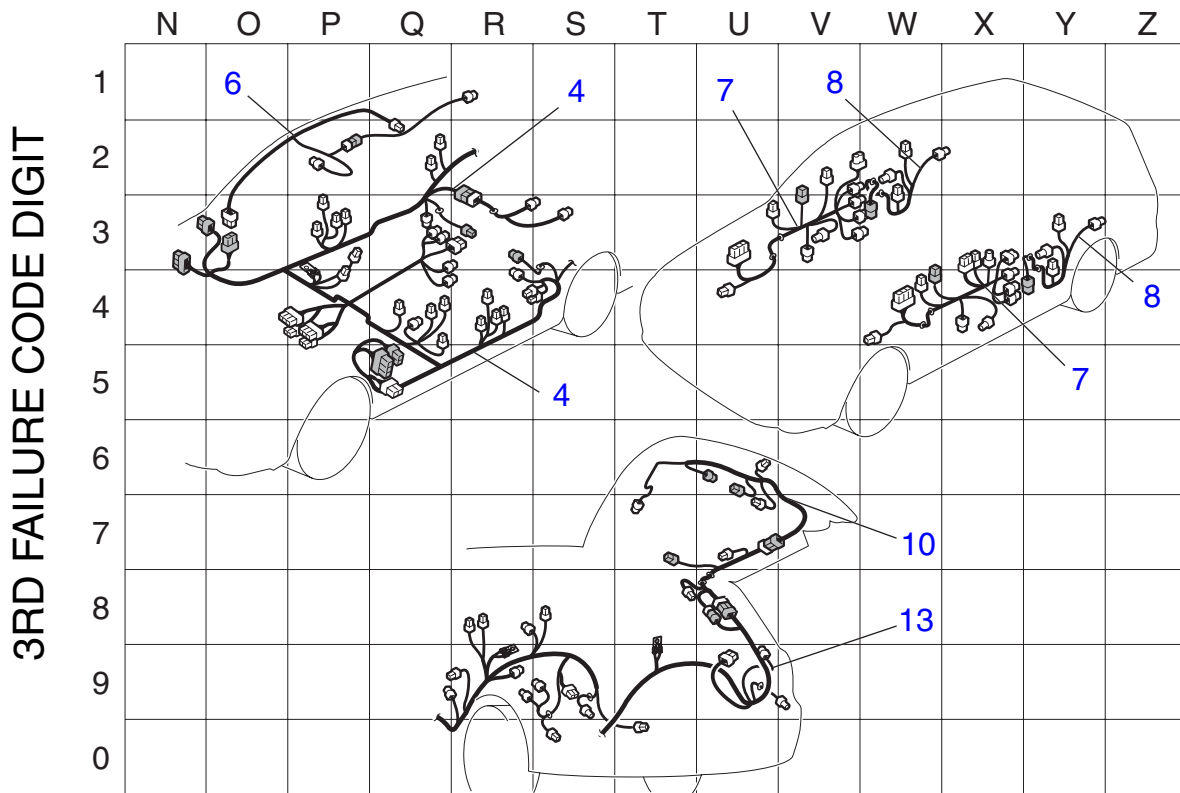
FORESTER 3 (LHD)

1ST FAILURE CODE DIGIT: "V" (Fixed code)
2ND FAILURE CODE DIGIT: Grid diagram reading
3RD FAILURE CODE DIGIT: Grid diagram reading

2ND FAILURE CODE DIGIT



FRM1328



FRM1329

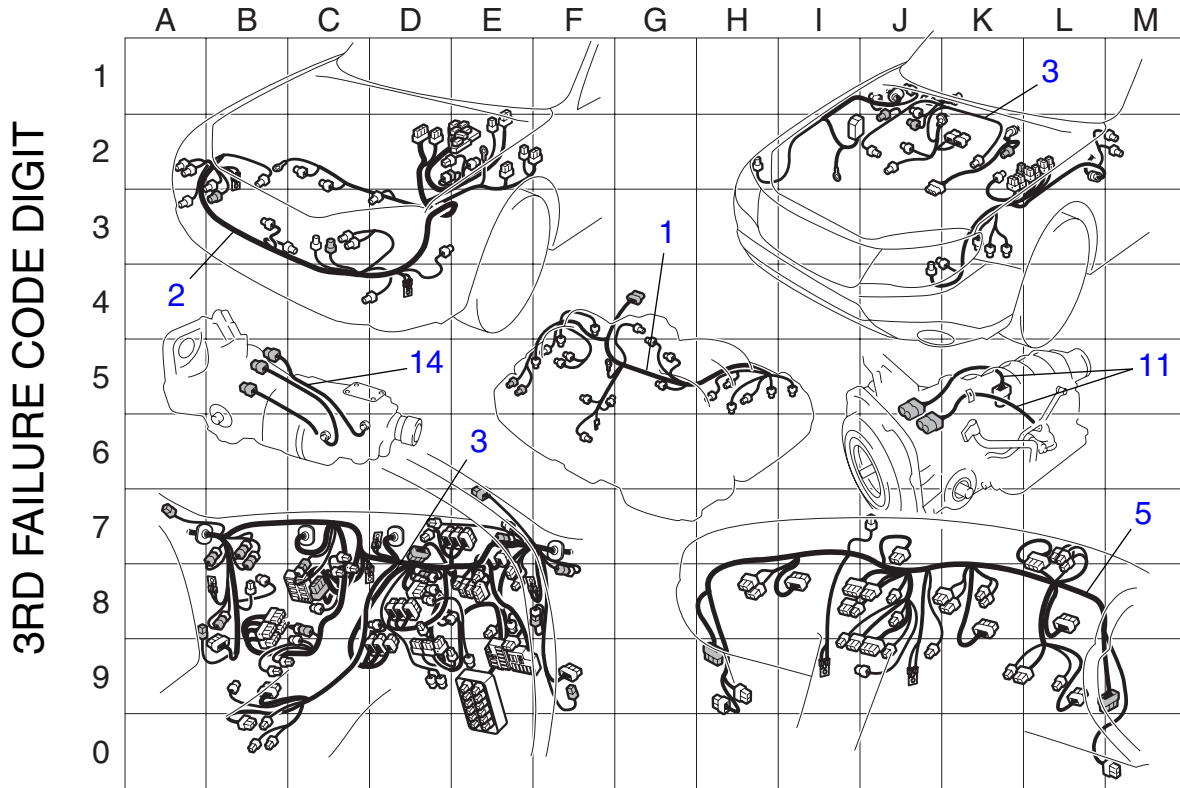
ELG

ELECTRICAL LOCATION GRID 23

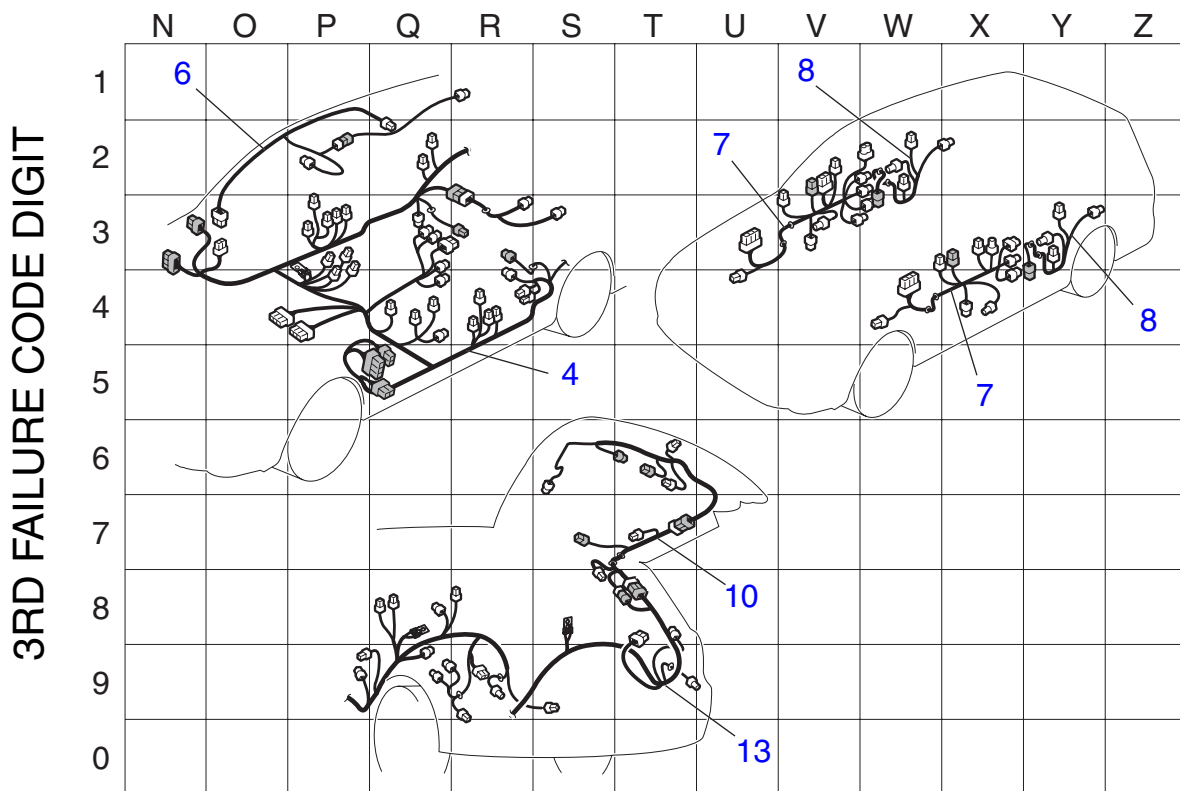
FORESTER 3 (RHD)

1ST FAILURE CODE DIGIT: "V" (Fixed code)
2ND FAILURE CODE DIGIT: Grid diagram reading
3RD FAILURE CODE DIGIT: Grid diagram reading

2ND FAILURE CODE DIGIT



FRM1330



FRM1331

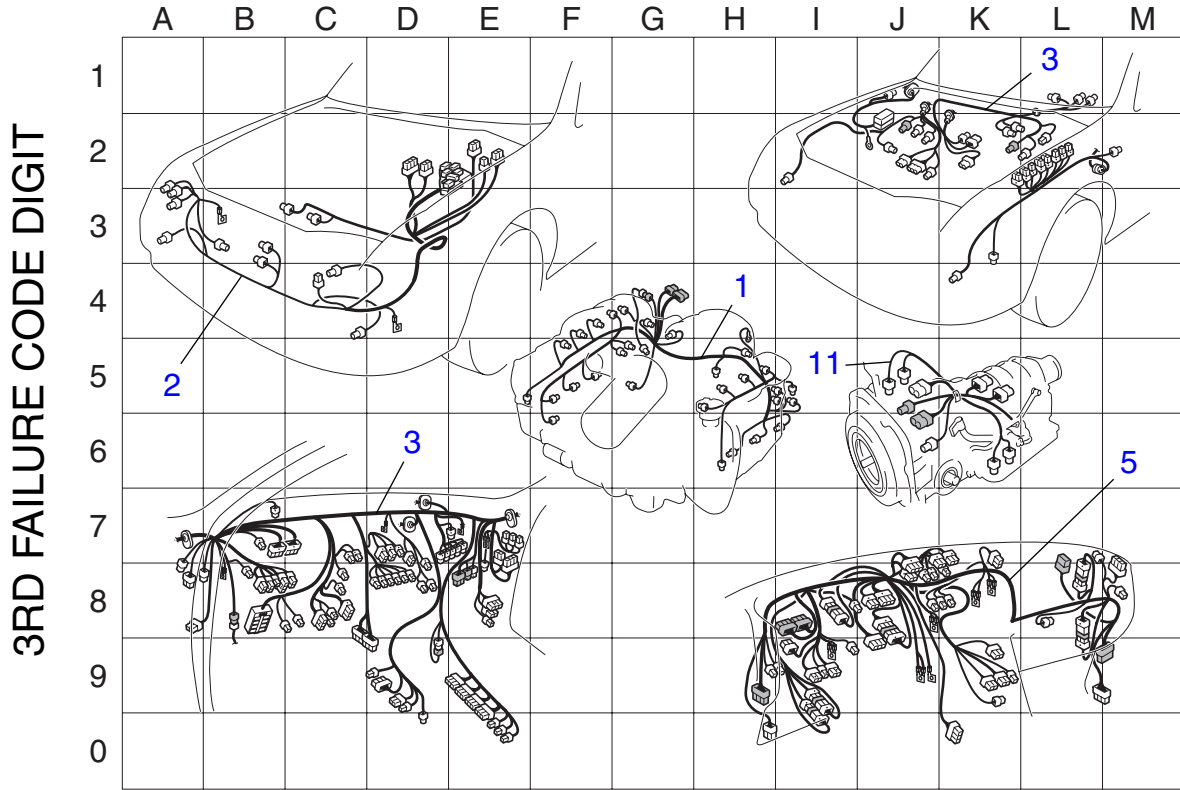
ELG

ELECTRICAL LOCATION GRID 24

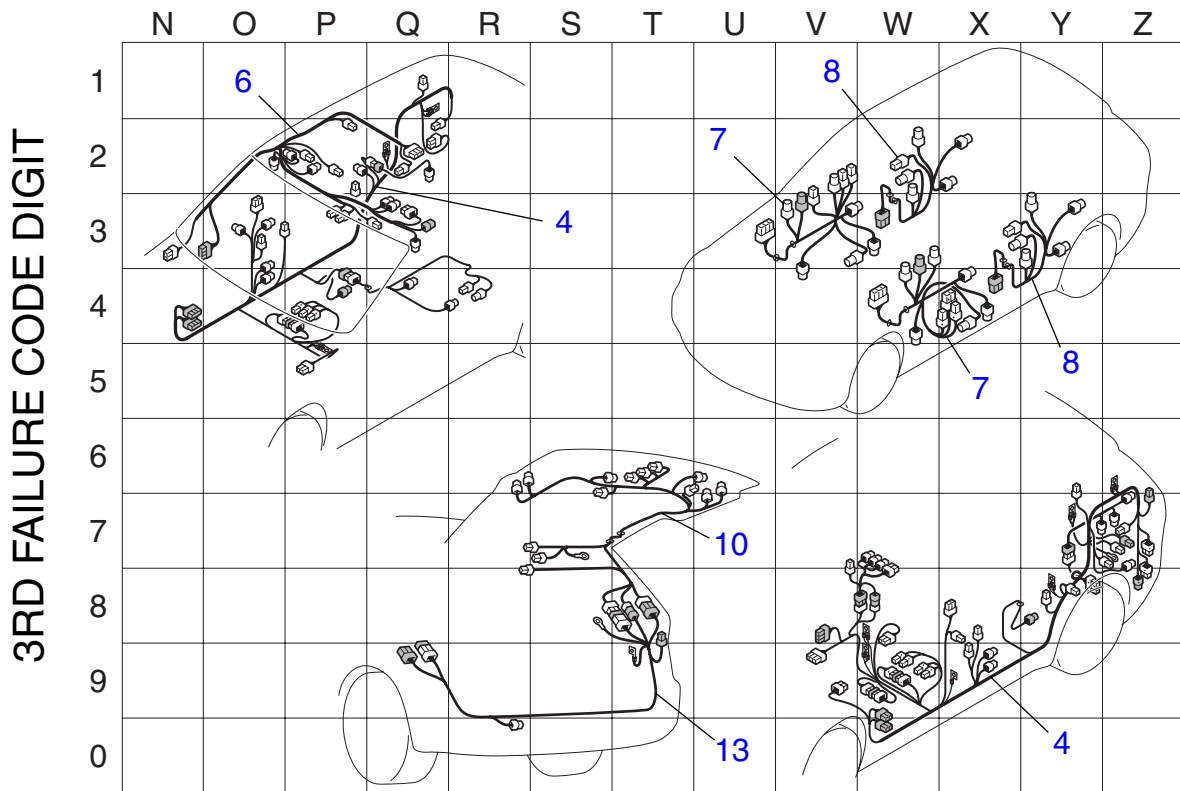
TRIBECA (LHD)

1ST FAILURE CODE DIGIT: "V" (Fixed code)
 2ND FAILURE CODE DIGIT: Grid diagram reading
 3RD FAILURE CODE DIGIT: Grid diagram reading

2ND FAILURE CODE DIGIT



FRM1275



FRM1276

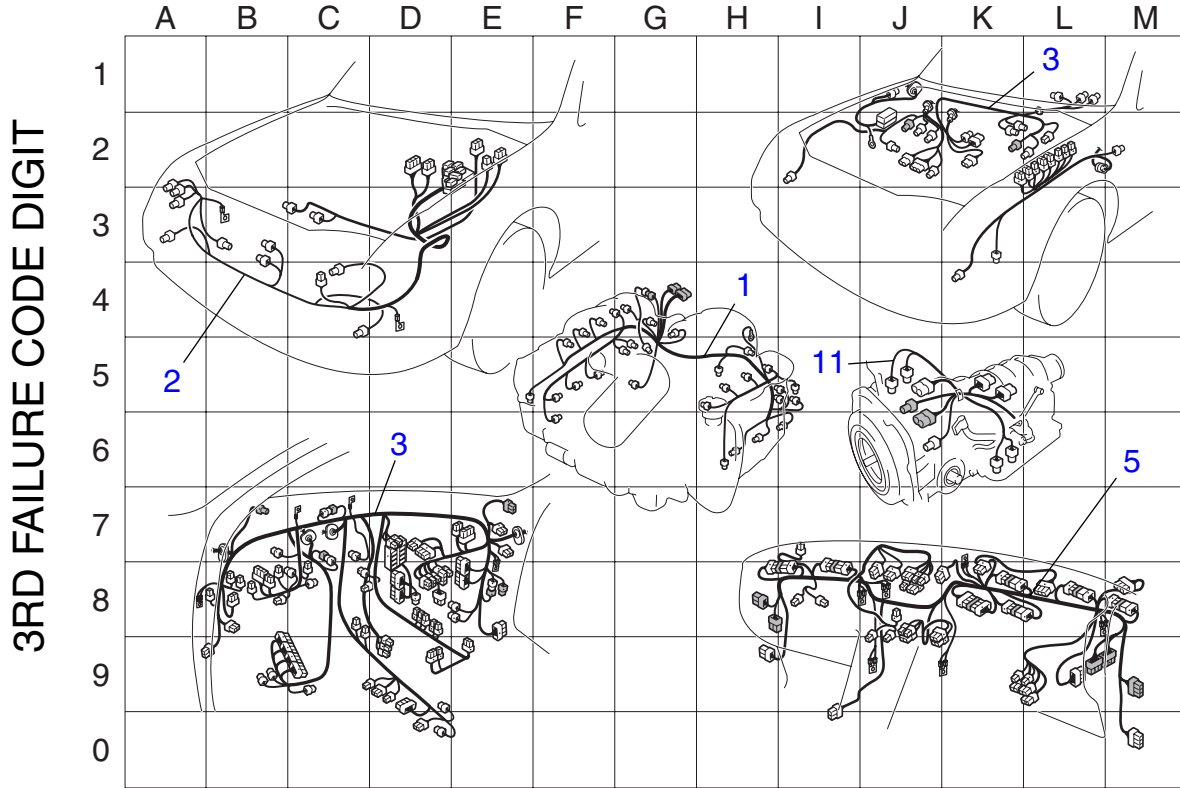
ELG

ELECTRICAL LOCATION GRID 25

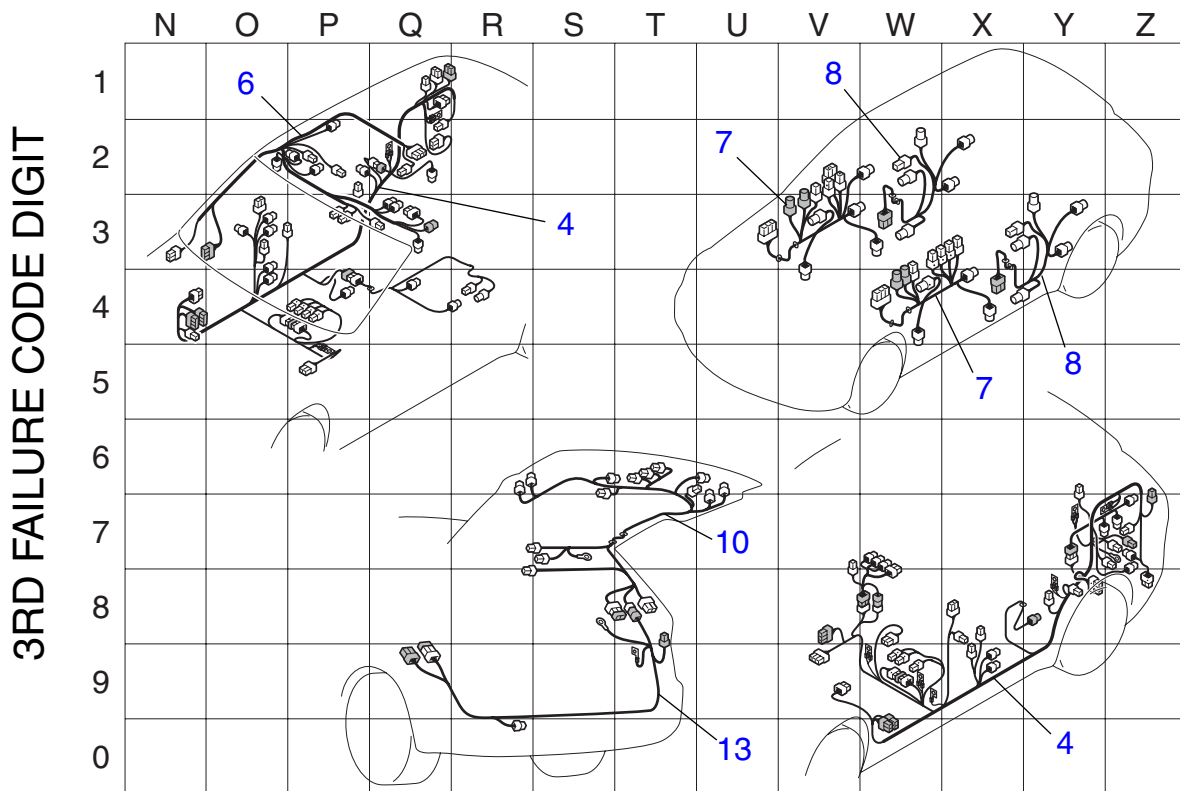
TRIBECA (RHD)

1ST FAILURE CODE DIGIT: "V" (Fixed code)
 2ND FAILURE CODE DIGIT: Grid diagram reading
 3RD FAILURE CODE DIGIT: Grid diagram reading

2ND FAILURE CODE DIGIT



FRM1277



FRM1278

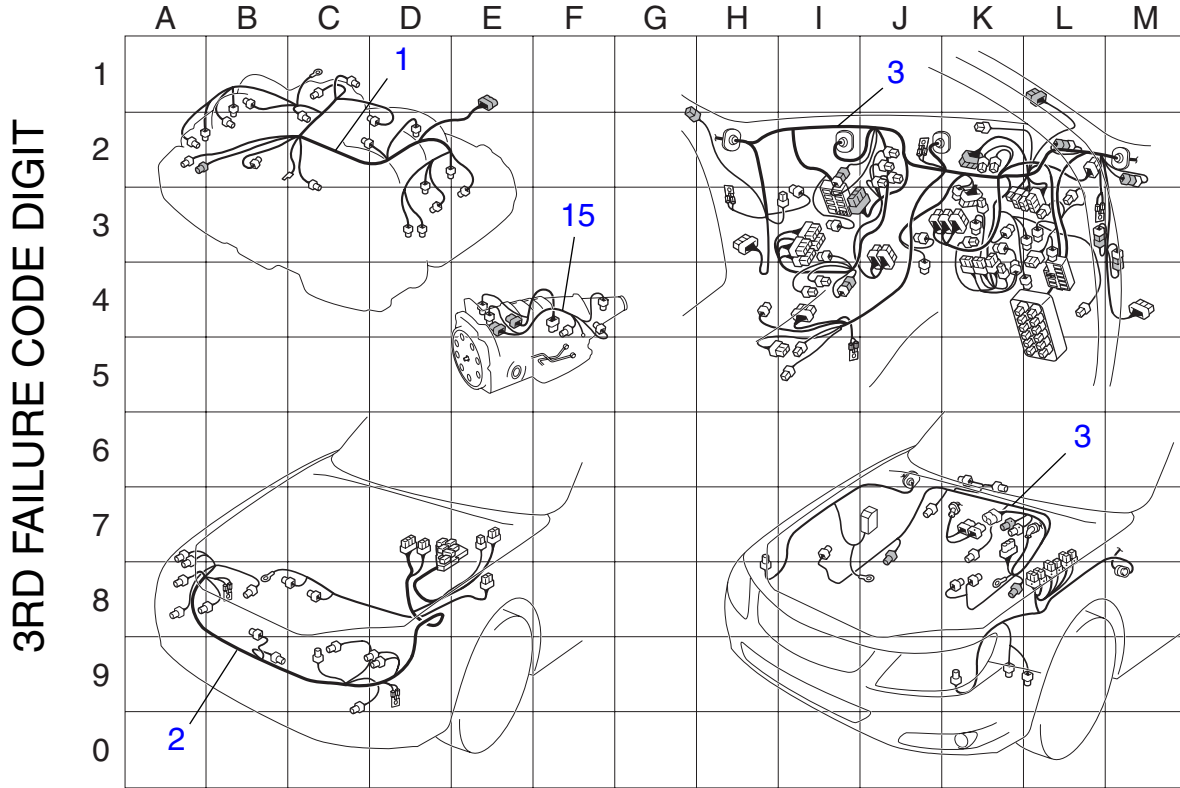
ELG

ELECTRICAL LOCATION GRID 26

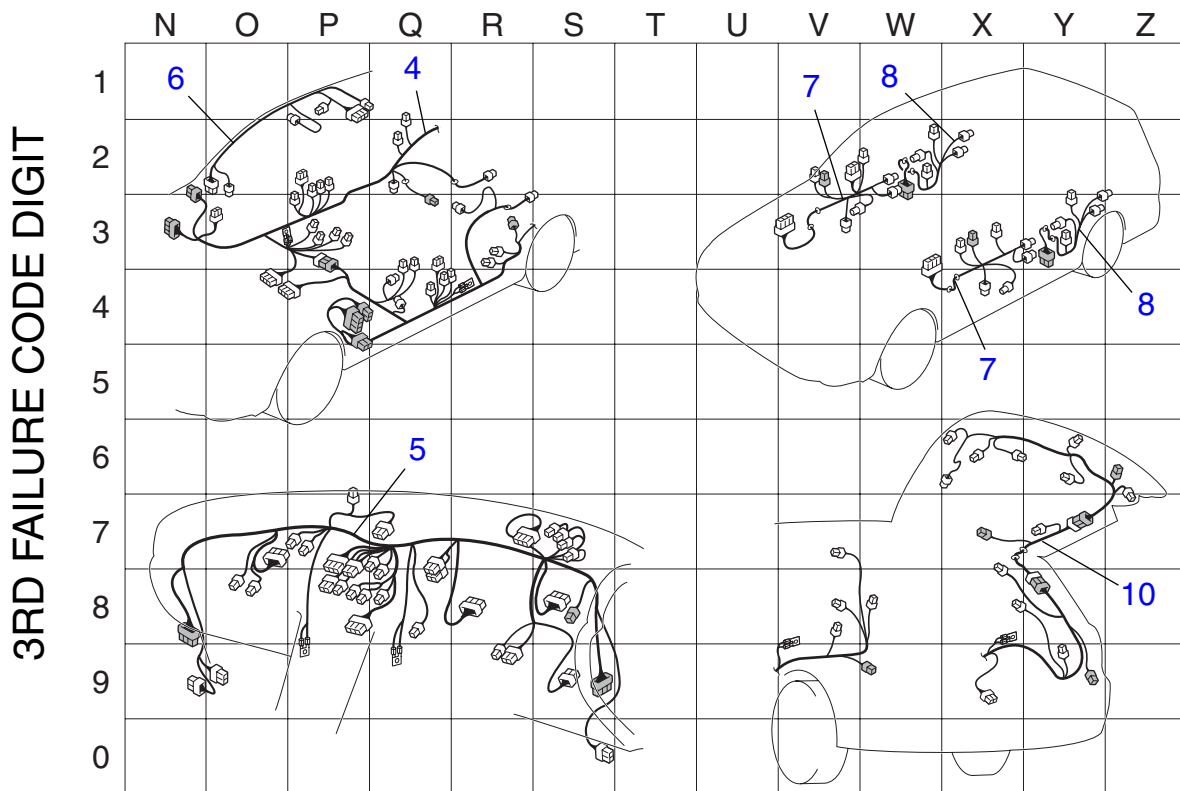
EXIGA (RHD)

1ST FAILURE CODE DIGIT: "V" (Fixed code)
 2ND FAILURE CODE DIGIT: Grid diagram reading
 3RD FAILURE CODE DIGIT: Grid diagram reading

2ND FAILURE CODE DIGIT



FRM1363



FRM1364

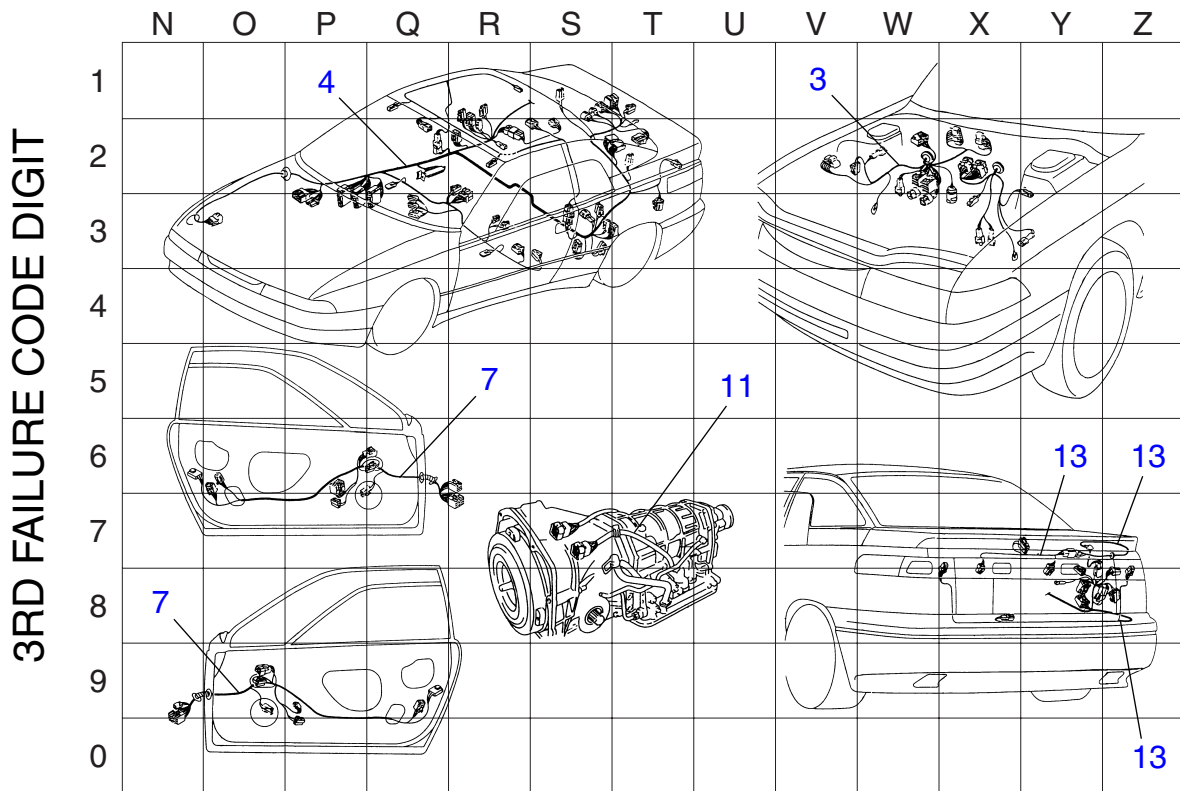
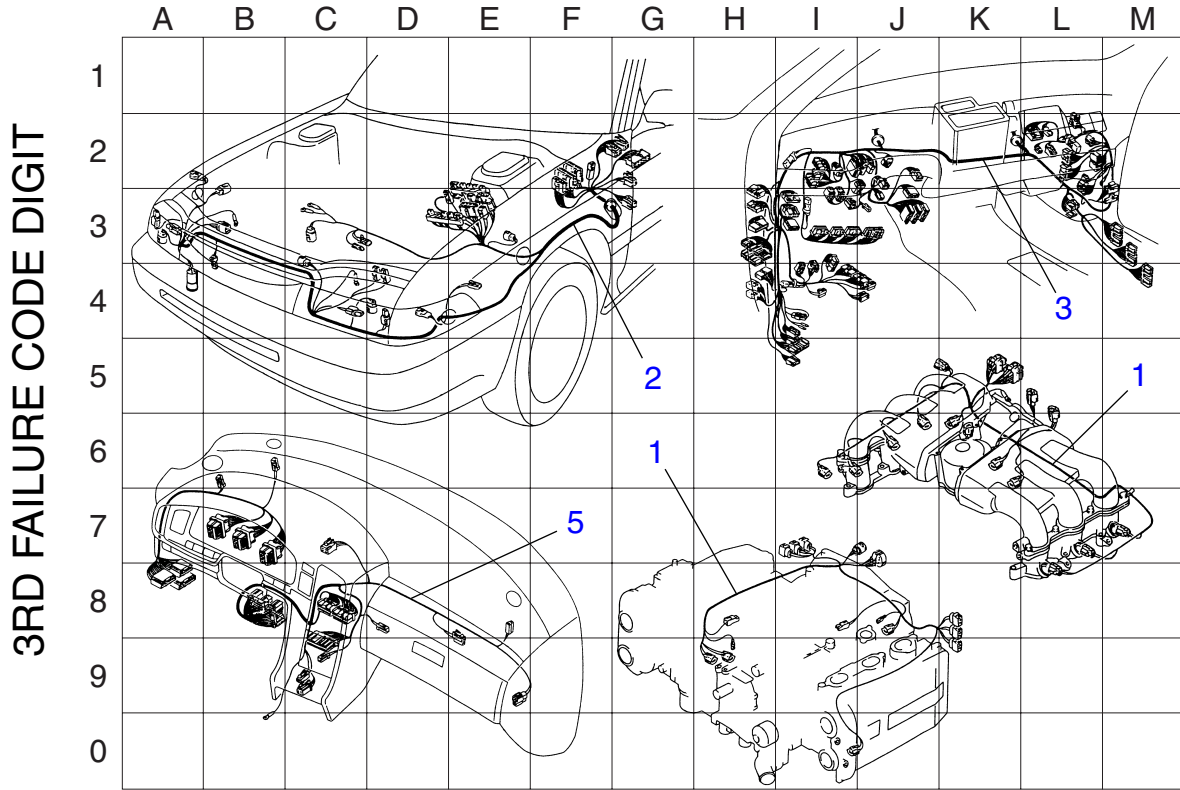
ELG

ELECTRICAL LOCATION GRID 27

SVX

1ST FAILURE CODE DIGIT: "V" (Fixed code)
2ND FAILURE CODE DIGIT: Grid diagram reading
3RD FAILURE CODE DIGIT: Grid diagram reading

2ND FAILURE CODE DIGIT



PART 2 (J Series, VIVIO, E12, MV)

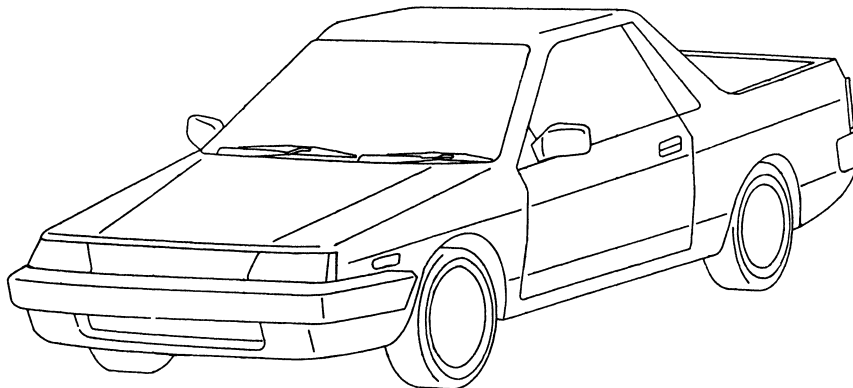
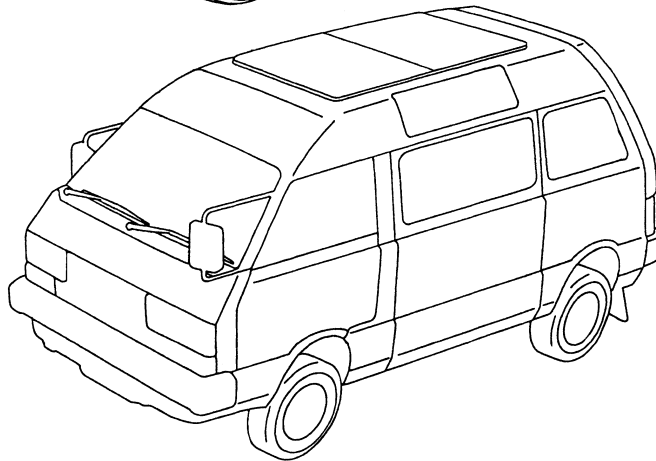
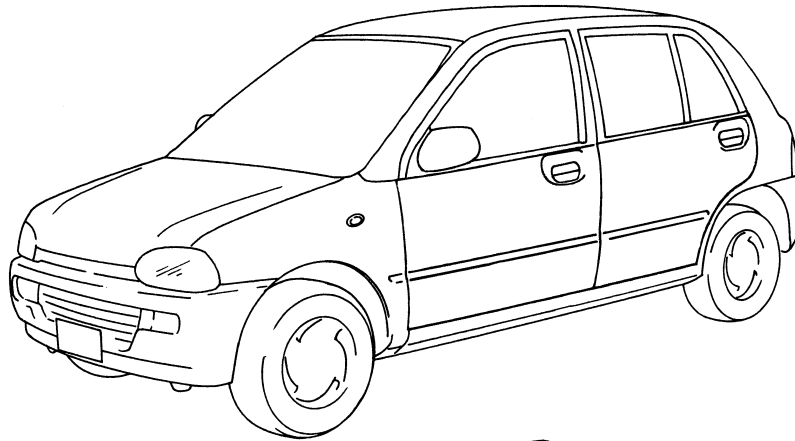
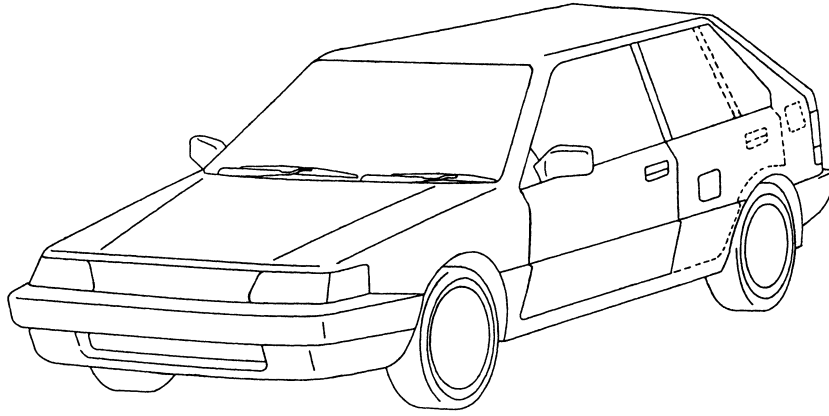
Maintenance	PM	PERIODIC MAINTENANCE SERVICES
Engine	FU	FUEL INJECTION (FUEL SYSTEMS)
	CAB	CARBURETOR
	EC	EMISSION CONTROL (AUX. EMISSION CONTROL DEVICES)
	IN	INTAKE (INDUCTION)
	ME	MECHANICAL
	EX	EXHAUST
	CO	COOLING
	LU	LUBRICATION
	SP	SPEED CONTROL SYSTEMS
	IG	IGNITION
	SC	STARTING / CHARGING SYSTEMS
Transmission	CS	CONTROL SYSTEM
	AT	AUTOMATIC TRANSMISSION
	MT	MANUAL TRANSMISSION AND DIFFERENTIAL
	CL	CLUTCH SYSTEM
Chassis	FS	FRONT SUSPENSION
	RS	REAR SUSPENSION
	DI	DIFFERENTIALS
	DS	DRIVE SHAFT SYSTEM
	BR	BRAKE
	PB	PARKING BRAKE
	PS	POWER ASSISTED SYSTEM (POWER STEERING)
Body and Accessory	AC	HVAC SYSTEM (HEATER, VENTILATOR AND A/C)
	SB	SEAT BELT SYSTEM
	LI	LIGHTING SYSTEM
	WW	WIPER AND WASHER SYSTEMS
	ET	ENTERTAINMENT
	COM	COMMUNICATION SYSTEM
	GW	GLASS / WINDOWS / MIRRORS
	IDI	INSTRUMENTATION / DRIVER INFO
	SE	SEATS
	SL	SECURITY AND LOCKS
	SR	SUNROOF / T-TOP / CONVERTIBLE TOP (SUNROOF)
	EI	EXTERIOR / INTERIOR TRIM
	EB	EXTERIOR BODY PANELS
	Wiring	WI
ELG		ELECTRICAL LOCATION GRID



PM

PERIODIC MAINTENANCE SERVICES

Table

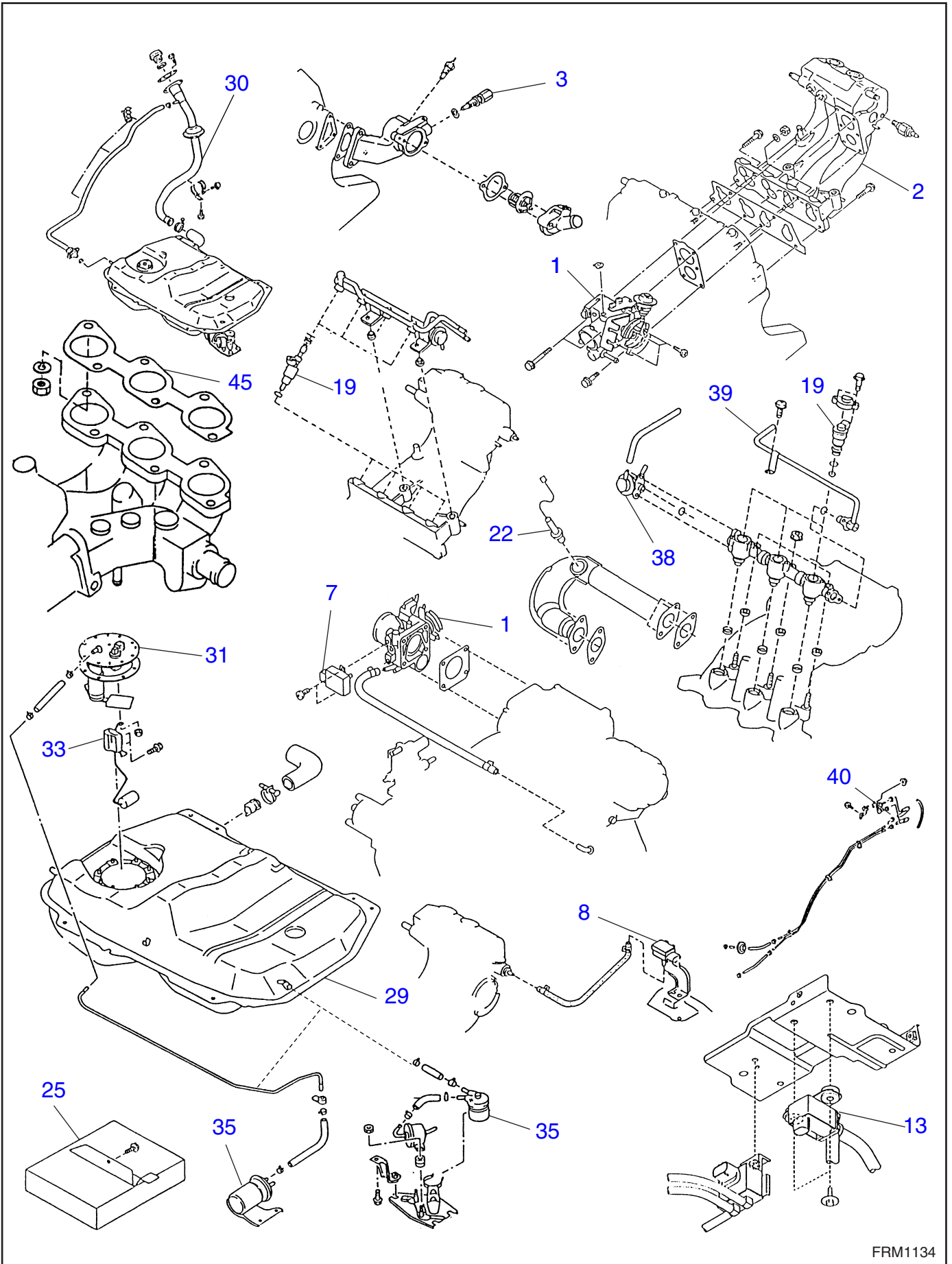


PM

No.	Work No.	Vehicle Information	Work Description	TIME (HOURS)			
				J Series	VIVIO	E12	MV
Illust	PM0002N		12 Months (15,000 km) 9,000 miles	2.0	2.0	1.8	1.8
	PM0003N		24 Months (30,000 km) 19,000 miles	4.3	4.3	4.3	3.2
	PM0004N		36 Months (45,000 km) 28,000 miles	2.0	2.0	2.0	1.8
	PM0005N		48 Months (60,000 km) 38,000 miles	4.3	4.3	4.3	3.5

FU

FUEL INJECTION (FUEL SYSTEMS)



FU

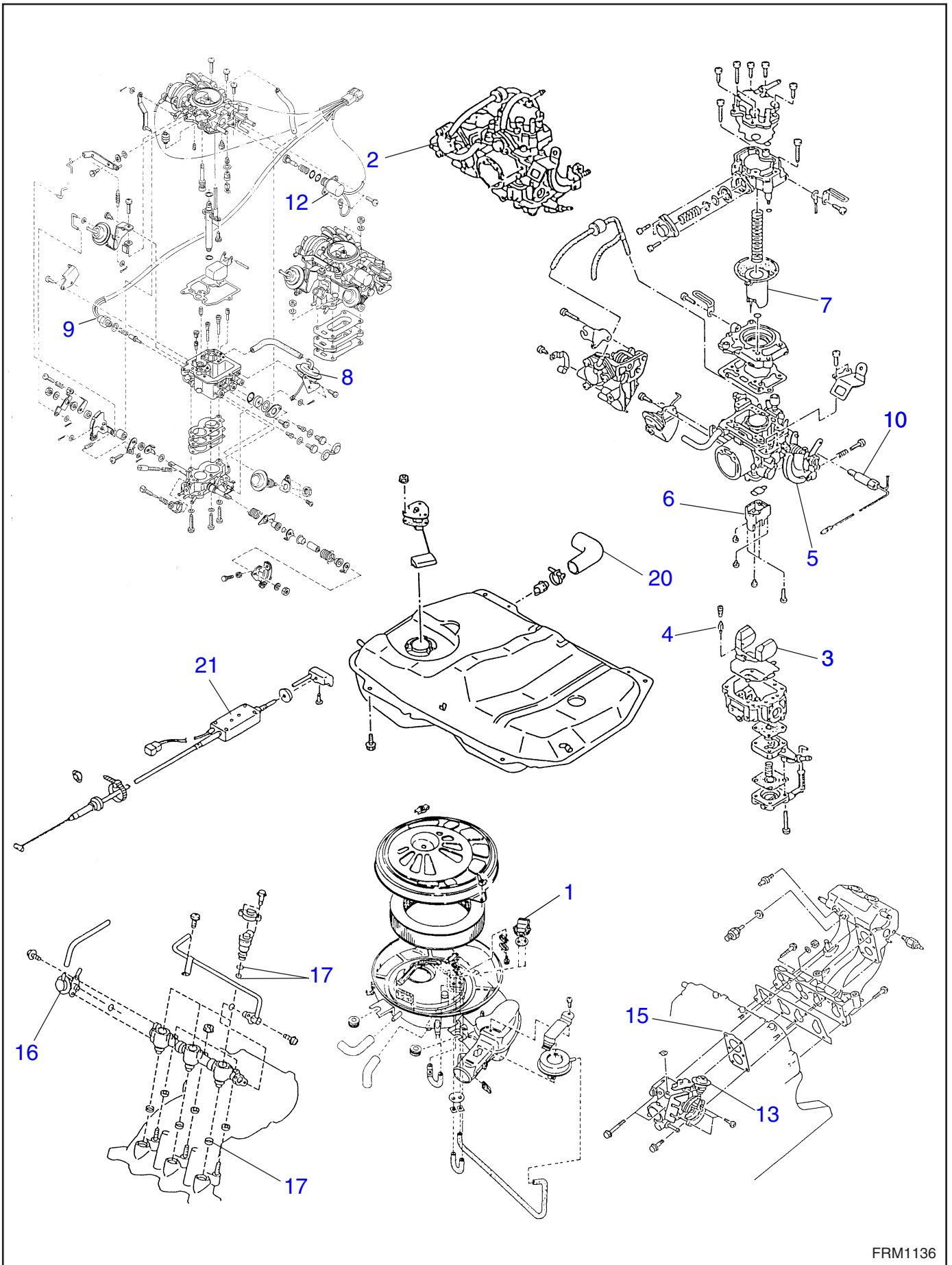
No.	Work No.	Vehicle Information	Work Description	TIME (HOURS)			
				J Series	VIVIO	E12	MV
1	FU0001R		Throttle body	0.4	0.4	0.6	-
2	FU0002R		Intake manifold	1.4	1.3	1.4	-
3	FU0003R		Engine coolant temperature sensor	0.3	0.4	0.4	-
7	FU0007R		Throttle position sensor	0.4	-	0.7	-
8	FU0008R		Pressure sensor	0.2	0.2	0.3	-
13	FU0013R		Idle air control valve (ISC solenoid valve)	0.2	-	0.7	-
19	FU00196		Fuel injector / Both side	0.3	0.4	0.8	-
22	FU0022R		A/F sensor (O ₂ sensor)	0.2	-	0.3	-
25	FU0025R		Engine CM	0.2	0.2	0.5	-
29	FU0029R	AWD	Fuel tank	1.7	1.3	0.9	1.2
30	FU0030R		Fuel filler pipe	0.3	0.7	0.5	0.4
31	FU0031R		Fuel pump Assy	0.5	0.3	0.4	0.3
33	FU0033R		Fuel meter unit	0.6	0.3	1.1	0.3
35	FU0035R		Fuel filter	0.3	0.2	0.3	0.1
38	FU0038R		Fuel damper valve	0.8	-	-	-
39	FU0039R		Fuel delivery pipe Assy	-	-	0.4	-
40	FU0040R		Roll over valve	0.5	0.4	0.5	-
45	FU0045R		Collector chamber gasket	0.7	-	-	-
	FU0999Z		Other	**	**	**	**

CAB



CARBURETOR

CAB



FRM1136

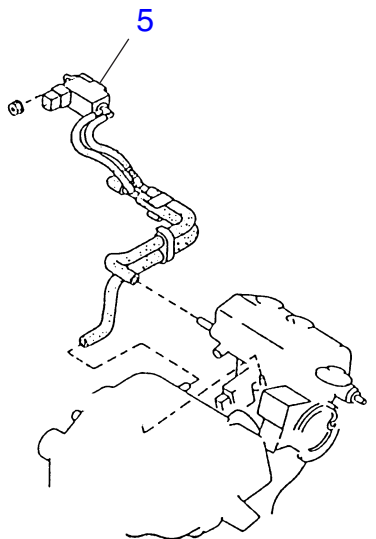
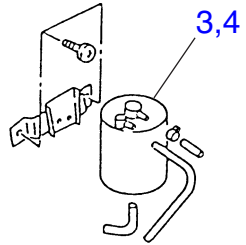
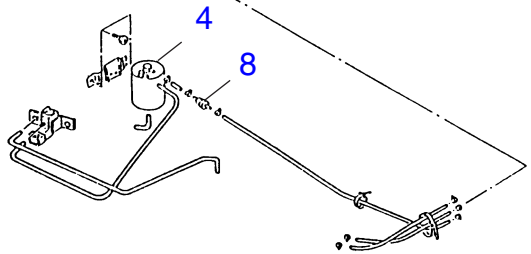
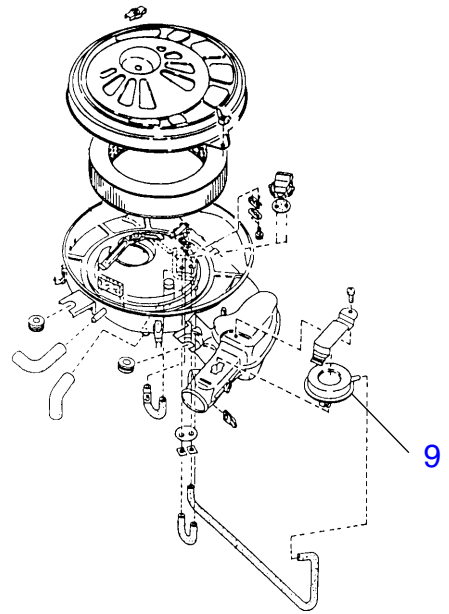
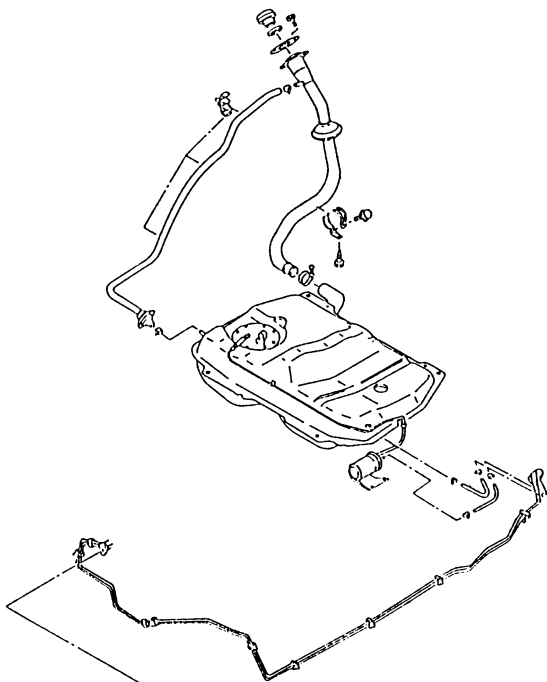
CAB

No.	Work No.	Vehicle Information	Work Description	TIME (HOURS)			
				J Series	VIVIO	E12	MV
1	CAB001R		Temperature sensor	0.3	-	-	0.3
2	CAB002R		Carburetor Assy	0.5	1.0	-	0.5
3	CAB003R		Float	0.4	0.5	-	0.5
4	CAB004R		Needle valve	0.4	0.5	-	0.5
5	CAB005R		Linkage	0.2	0.2	-	0.2
6	CAB006R		Jet or air bleeds	0.9	1.0	-	0.9
7	CAB007R		Accelerating pump piston	0.7	1.0	-	0.7
8	CAB008R		Secondary diaphragm	0.3	-	-	0.4
9	CAB009R		Anti dieseling switch	-	-	-	0.3
10	CAB010R		Slow cut solenoid valve	0.7	0.3	-	-
12	CAB012R		Switch vent solenoid valve	0.2	-	0.2	-
13	CAB013R		Dash pot	0.3	0.3	-	-
14*	CAB014R		Intake manifold vacuum or idling vacuum	0.2	0.2	0.2	0.2
15	CAB015R		Throttle gasket	0.4	0.4	0.6	-
16	CAB016R		Pressure regulator	0.8	-	0.4	-
17	CAB017R		Injector O-Ring, insulator, seal and spacer	0.8	0.4	0.5	-
20	CAB020R		Fuel filler hose	0.5	0.4	0.4	0.4
21	CAB021R		Choke cable	0.2	-	-	0.2
	CAB999Z		Other	**	**	**	**

EC



**EMISSION CONTROL
(AUX. EMISSION CONTROL
DEVICES)**



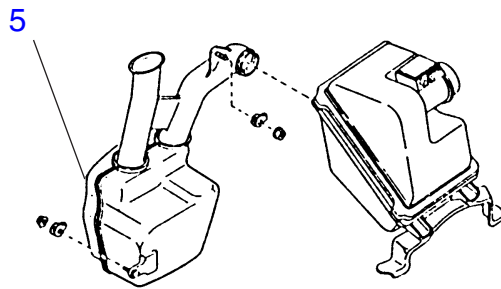
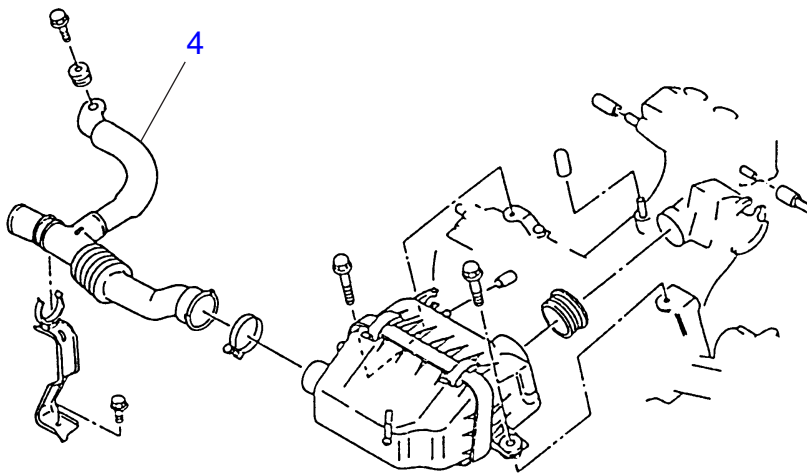
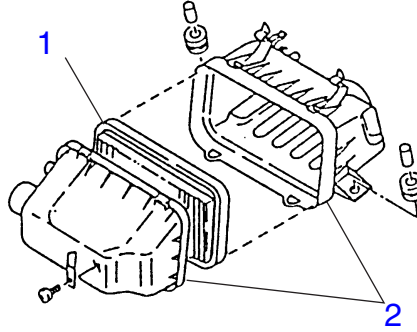
EC

No.	Work No.	Vehicle Information	Work Description	TIME (HOURS)			
				J Series	VIVIO	E12	MV
3	EC0003R	AWD	Canister	0.2	0.2	0.2	0.2
4	EC0004R		Canister Assy	0.2	0.2	0.2	0.2
5	EC0005R		Purge control solenoid valve	0.4	0.4	0.4	-
8	EC0008R		2-Way valve	0.3	0.2	0.5	0.2
9	EC0009R		Vacuum motor Assy	0.2	-	-	-
	EC0999Z		Other	**	**	**	**

IN



INTAKE (INDUCTION)



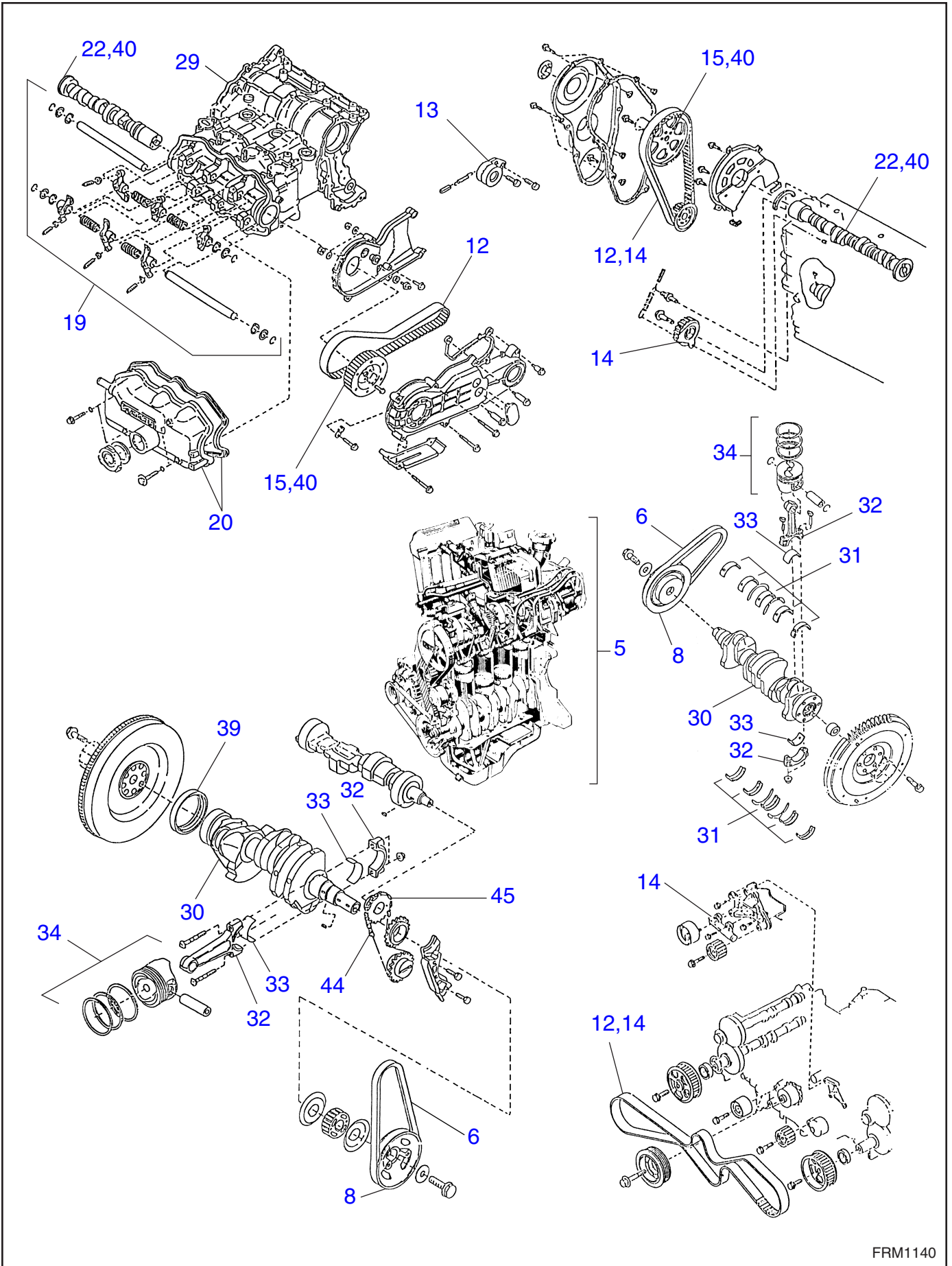
IN

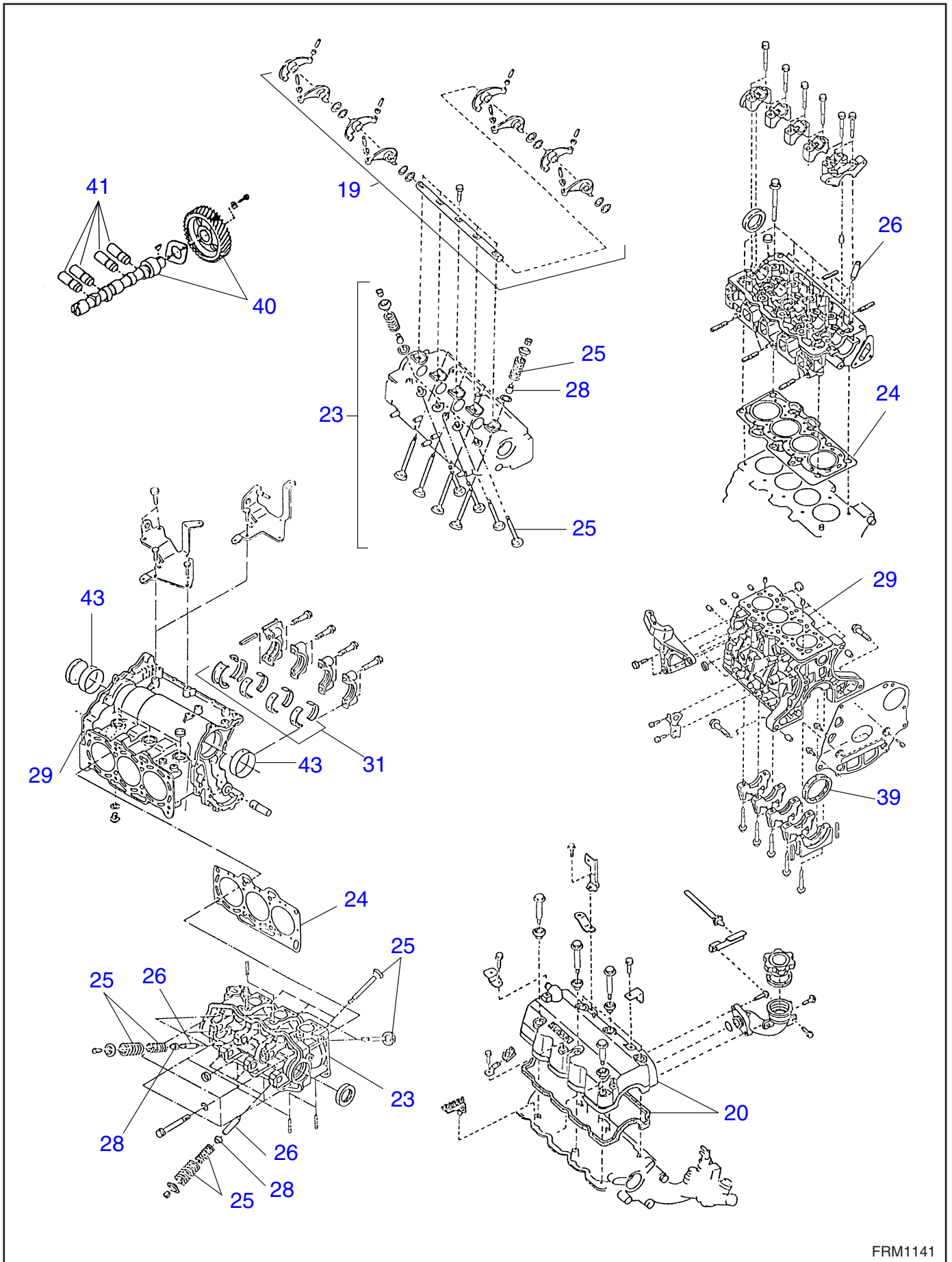
No.	Work No.	Vehicle Information	Work Description	TIME (HOURS)			
				J Series	VIVIO	E12	MV
1	IN0001R		Air cleaner element	0.2	0.1	0.2	0.1
2	IN0002R		Air cleaner case	0.2	0.2	0.3	0.2
4	IN0004R		Air intake duct	0.2	0.1	0.3	-
5	IN0005R		Resonator chamber	0.4	-	-	-
	IN0999Z		Other	**	**	**	**

ME



MECHANICAL





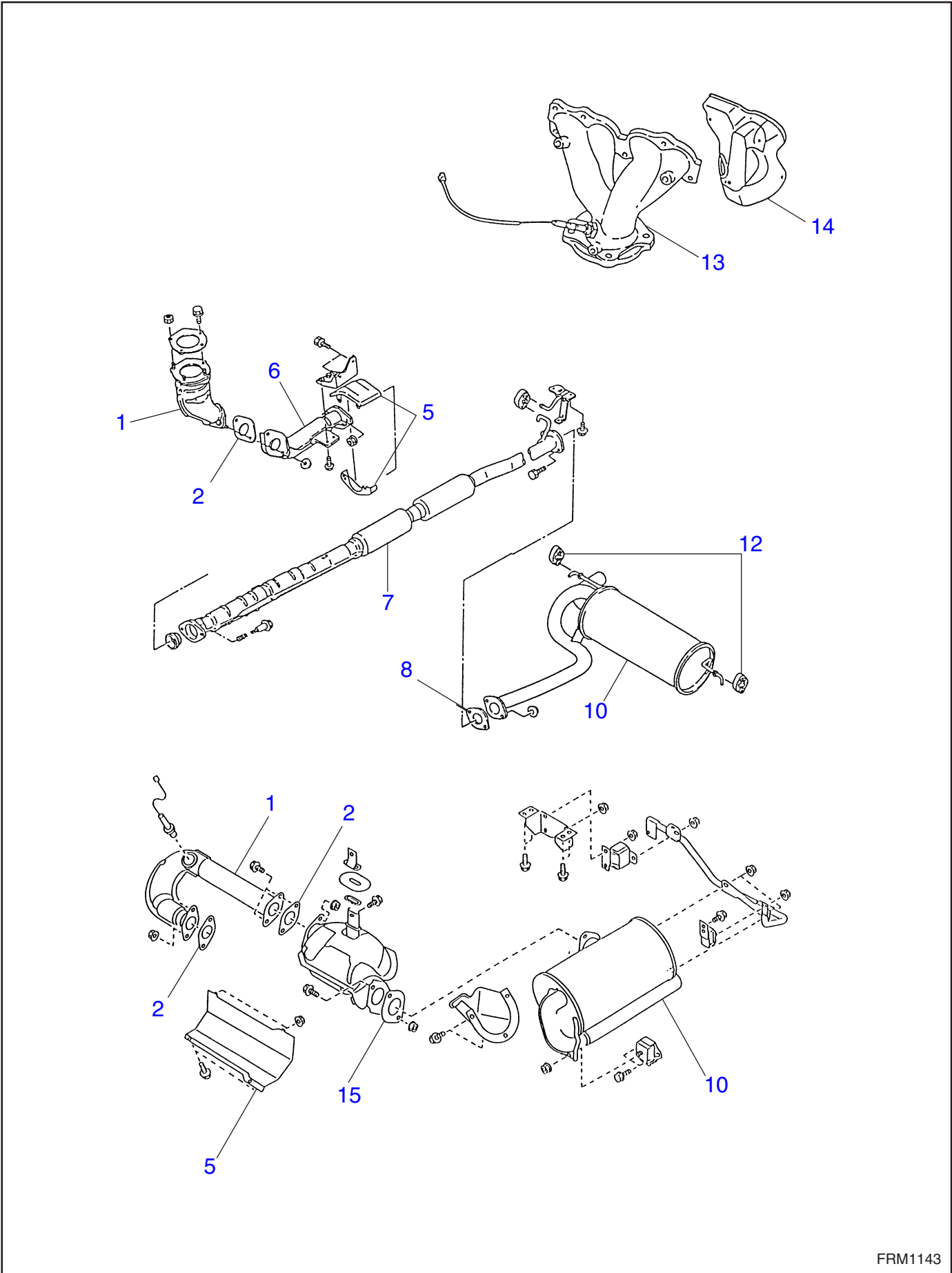
ME

No.	Work No.	Vehicle Information	Work Description	TIME (HOURS)			
				J Series	VIVIO	E12	MV
1*	ME0001M		Engine compression	0.2	0.3	0.3	0.4
2*	ME0002A		Engine idle speed	0.1	0.2	0.3	0.1
3*	ME0003A		Ignition timing	-	0.2	0.3	-
5	ME0005R		Engine Assy	4.2	4.0	4.6	4.0
6	ME0006R		V belt	0.3	0.3	0.3	0.3
8	ME0008R		Crankshaft pulley	0.3	0.6	0.4	0.2
12	ME0012R		Timing belt / On car service	1.4	1.0	-	-
13	ME0013R		Belt idler and automatic belt tension adjuster	-	-	5.7	-
14	ME0014R		Timing belt and tensioner	0.7	-	-	-
15	ME0015R		Camshaft sprocket / On car service	1.4	1.1	0.9	-
16*	ME0016R		Camshaft sprocket	5.2	4.7	5.0	-
19	ME0019R		Valve rocker Assy / One side	5.0	4.5	5.5	5.0
20	ME0020R		Valve rocker cover / One side	0.2	0.3	0.2	0.3
22	ME0022R		Camshaft / One side	2.2	2.2	1.8	-
23	ME0023R		Cylinder head Assy / One side	5.2	6.5	5.5	5.9
	ME00235		Cylinder head Assy / Opposite side	-	-	-	1.7
24	ME0024R		Cylinder head gasket	4.1	2.7	2.5	5.0
25	ME0025R		Valve and valve spring / One side	4.8	6.0	7.1	5.1
	ME00255		Valve and valve spring / Opposite side	-	-	-	1.3
26	ME0026R		Valve guide / One side	5.6	7.7	8.9	7.6
27*	ME0027R		Valve seat / One side	5.6	7.6	8.9	7.6
28	ME0028R		Valve oil seal / One side	6.2	6.3	7.2	6.8
29	ME0029R		Cylinder block	7.0	7.7	7.6	8.0
30	ME0030R		Crankshaft	5.5	6.0	6.0	6.5
31	ME0031R		Crankshaft bearing	5.6	6.1	6.1	7.8
32	ME0032R		Connecting rod	6.7	6.8	6.8	6.3
33	ME0033R		Connecting rod bearing	6.5	6.5	6.5	7.3
34	ME0034R		Piston & piston ring	6.5	6.5	6.5	6.6
39	ME0039R	AT	Rear oil seal	5.4	3.0	-	-
	ME0039R	MT	Rear oil seal	5.4	3.0	6.6	3.5
40	ME0040R		Camshaft gear & camshaft	-	-	-	8.1
41	ME0041R		Lifter CP	-	-	-	6.4
43	ME0043R		Balancer shaft bearing	5.6	-	7.0	-
44	ME0044R		Balancer chain	4.2	-	6.6	-
45	ME0045R		Balancer shaft sprocket	5.1	-	6.8	-
	ME0999Z		Other	**	**	**	**

EX

EXHAUST





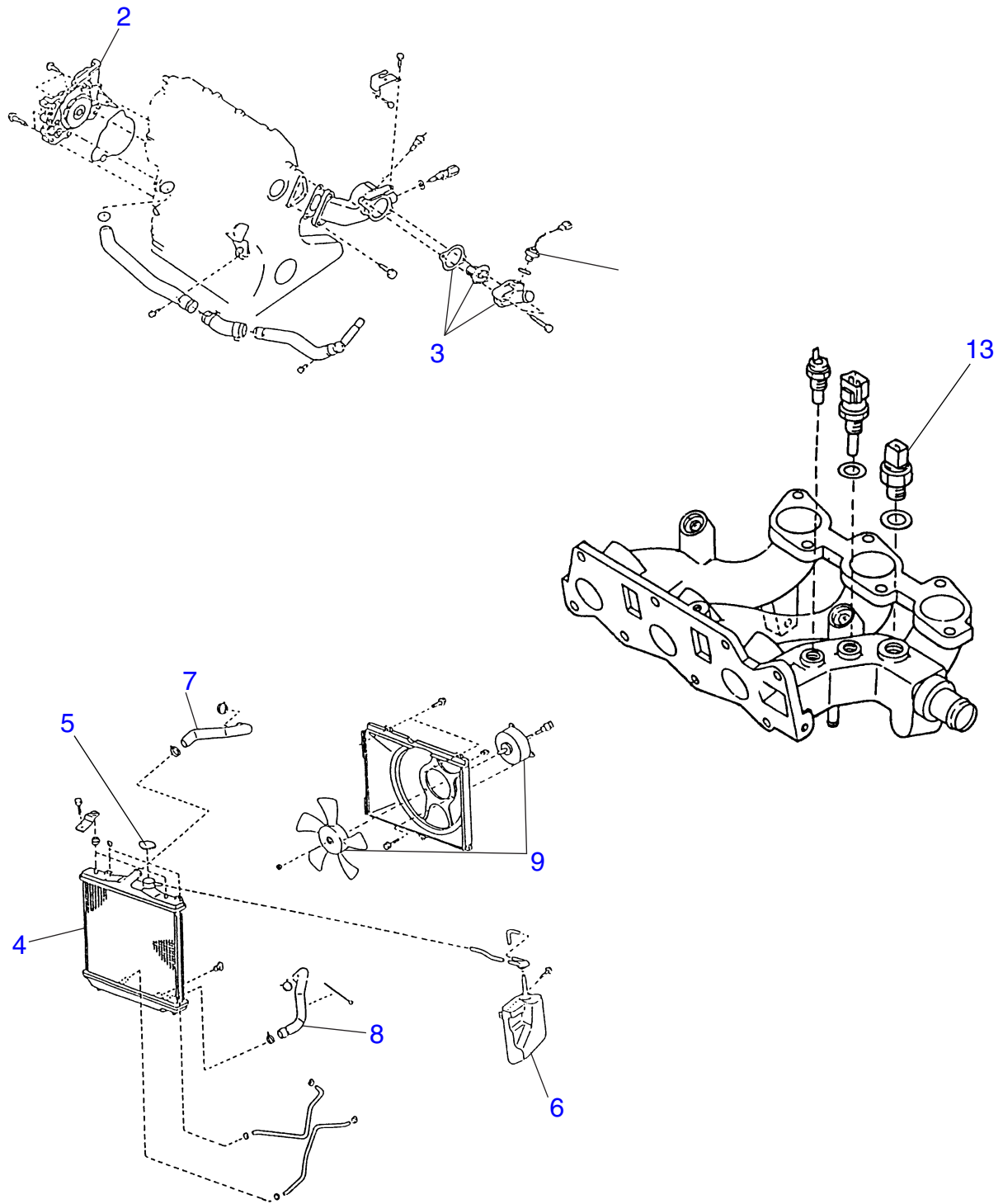
EX

No.	Work No.	Vehicle Information	Work Description	TIME (HOURS)			
				J Series	VIVIO	E12	MV
1	EX0001R		Front exhaust pipe / All	0.5	0.3	0.9	0.6
2	EX0002R		Front exhaust pipe gasket	0.1	0.3	0.9	0.2
5	EX0005R		Exhaust pipe cover / All	-	0.3	0.8	-
6	EX0006R		Center exhaust pipe	-	0.3	-	-
7	EX0007R		Rear exhaust pipe	0.3	0.3	-	0.4
8	EX0008R		Rear exhaust pipe gasket	0.1	0.3	-	0.1
10	EX0010R		Muffler Assy / One side	0.2	0.2	0.9	0.2
12	EX0012R		Muffler cushion rubber	0.1	0.1	-	0.1
13	EX0013R		Exhaust manifold	0.7	0.9	1.0	-
14	EX0014R		Exhaust manifold cover / All	0.3	0.6	0.3	-
15	EX0015R		Gasket	0.3	0.3	0.9	-
	EX0999Z		Other	**	**	**	**

CO

COOLING





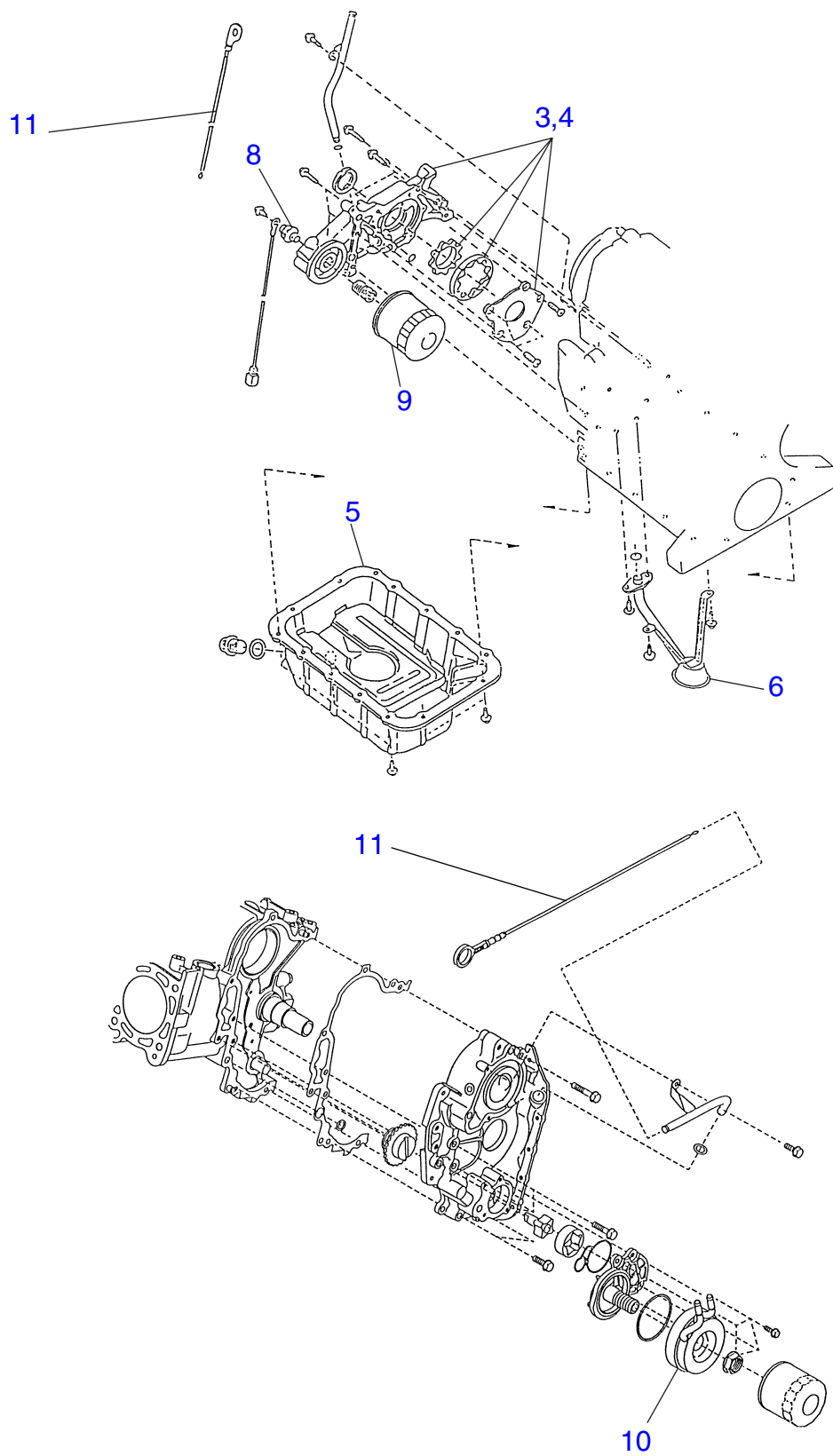
CO

No.	Work No.	Vehicle Information	Work Description	TIME (HOURS)			
				J Series	VIVIO	E12	MV
1*	CO0001R		Engine coolant	0.2	0.3	0.3	0.2
2	CO0002R		Water pump Assy and gasket	4.0	3.5	4.0	1.4
3	CO0003R		Thermostat, case and gasket	0.4	0.4	0.4	0.3
4	CO0004R		Radiator	0.4	0.5	1.2	0.3
5	CO0005R		Radiator cap	0.1	0.1	0.1	0.1
6	CO0006R		Reservoir tank	0.2	0.2	0.2	-
7	CO0007R		Radiator inlet hose	0.6	0.6	0.6	0.6
8	CO0008R		Radiator outlet hose	0.3	0.5	0.5	0.3
9	CO0009R		Fan and motor Assy	0.3	0.5	0.4	0.3
	CO0009R	DE	Fan and motor Assy	0.3	0.5	0.4	0.3
13	CO0013R		Thermo switch (Sensor)	0.3	-	-	0.2
14*	CO0014R		Water temperature switch 2 (Sensor)	-	0.3	-	-
	CO0999Z		Other	**	**	**	**

LU

LUBRICATION





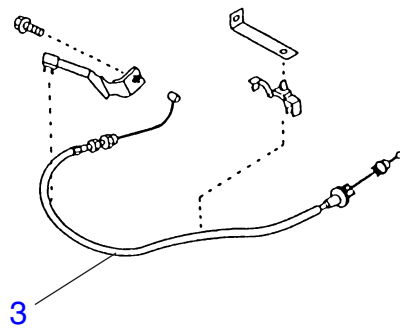
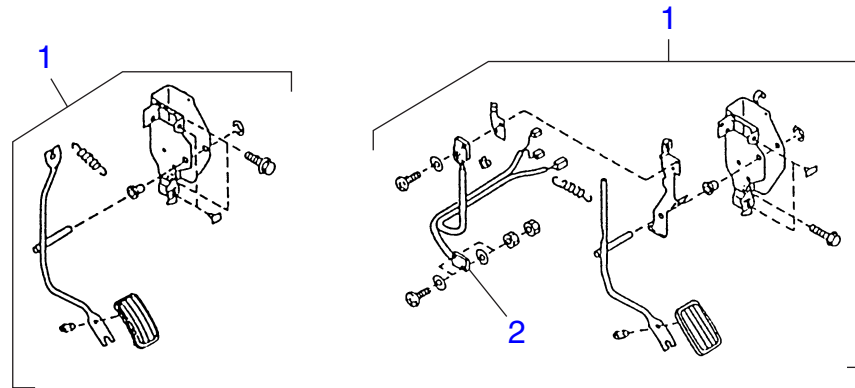
LU

No.	Work No.	Vehicle Information	Work Description	TIME (HOURS)			
				J Series	VIVIO	E12	MV
1*	LU0001M		Engine oil pressure	0.3	0.3	0.3	0.3
2*	LU0002R		Engine oil	0.3	0.3	0.3	0.3
3	LU0003R		Oil pump Assy / On car service	3.5	2.0	1.4	1.4
4	LU0004R		Oil pump Assy	4.5	3.6	3.5	3.0
5	LU0005R		Oil pan and / or oil pan plate	1.4	0.5	1.2	0.5
6	LU0006R		Oil strainer	1.5	0.6	1.3	0.7
8	LU0008R		Oil pressure switch	0.2	0.2	0.4	0.2
9	LU0009R		Oil filter	0.2	0.2	0.2	0.2
10	LU0010R		Oil cooler	-	-	1.2	-
11	LU0011R		Oil level gauge	0.1	0.1	0.1	0.1
	LU0999Z		Other	**	**	**	**

SP

SPEED CONTROL SYSTEMS





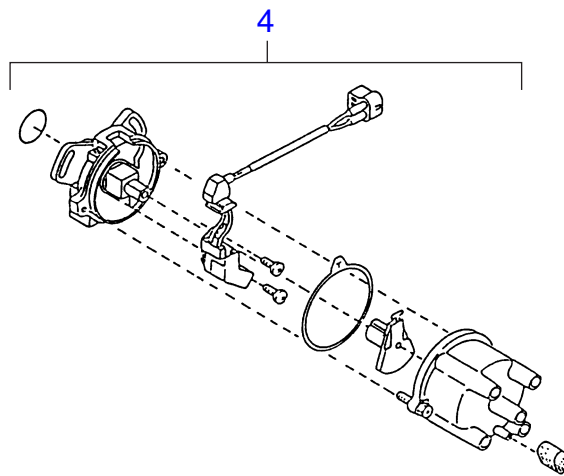
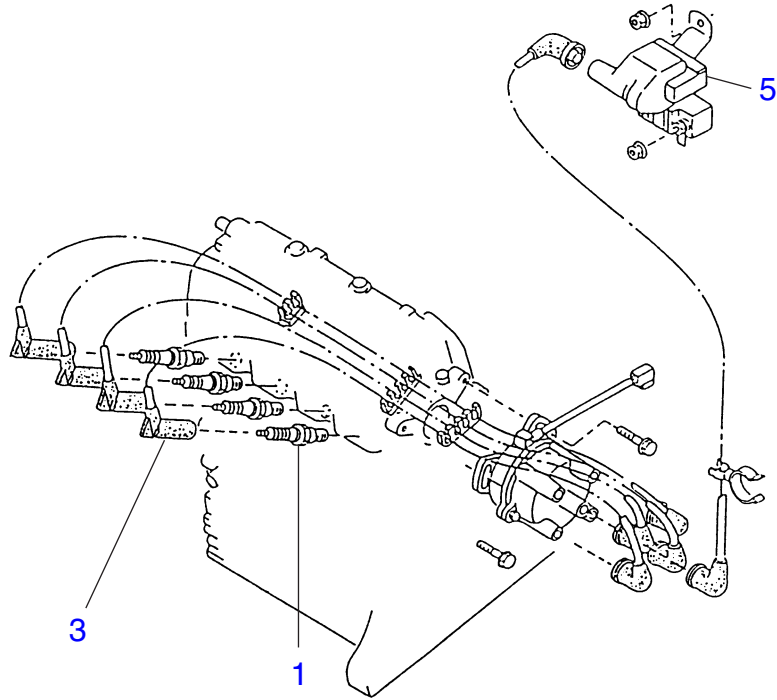
SP

No.	Work No.	Vehicle Information	Work Description	TIME (HOURS)			
				J Series	VIVIO	E12	MV
1	SP0001R		Accelerator pedal Assy	0.3	0.3	0.3	0.4
2	SP0002R		Kick down switch	0.3	-	-	-
3	SP0003R		Accelerator cable	0.2	0.3	0.5	0.3
	SP0999Z		Other	**	**	**	**

IG

IGNITION





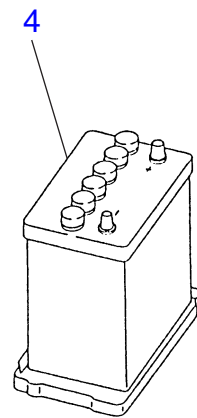
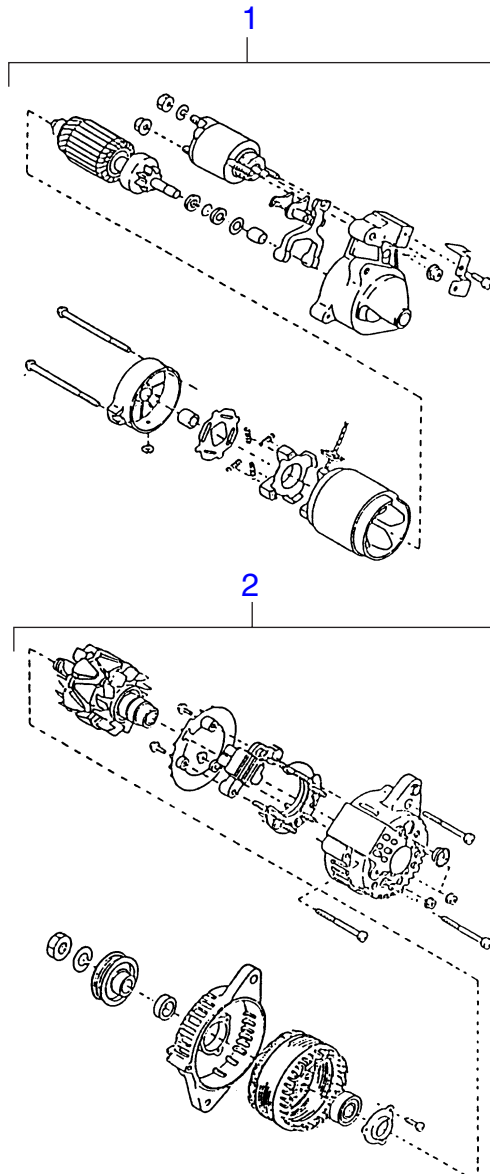
IG

No.	Work No.	Vehicle Information	Work Description	TIME (HOURS)			
				J Series	VIVIO	E12	MV
1	IG0001R		Spark plug / All	0.3	0.3	0.3	0.3
3	IG0003R		Spark plug code / All	0.2	0.2	0.2	0.2
4	IG0004R		Distributor Assy	1.0	1.0	1.0	1.3
5	IG0005R		Ignition coil CP	0.2	0.2	0.3	0.2
	IG0999Z		Other	**	**	**	**

SC

STARTING / CHARGING SYSTEMS





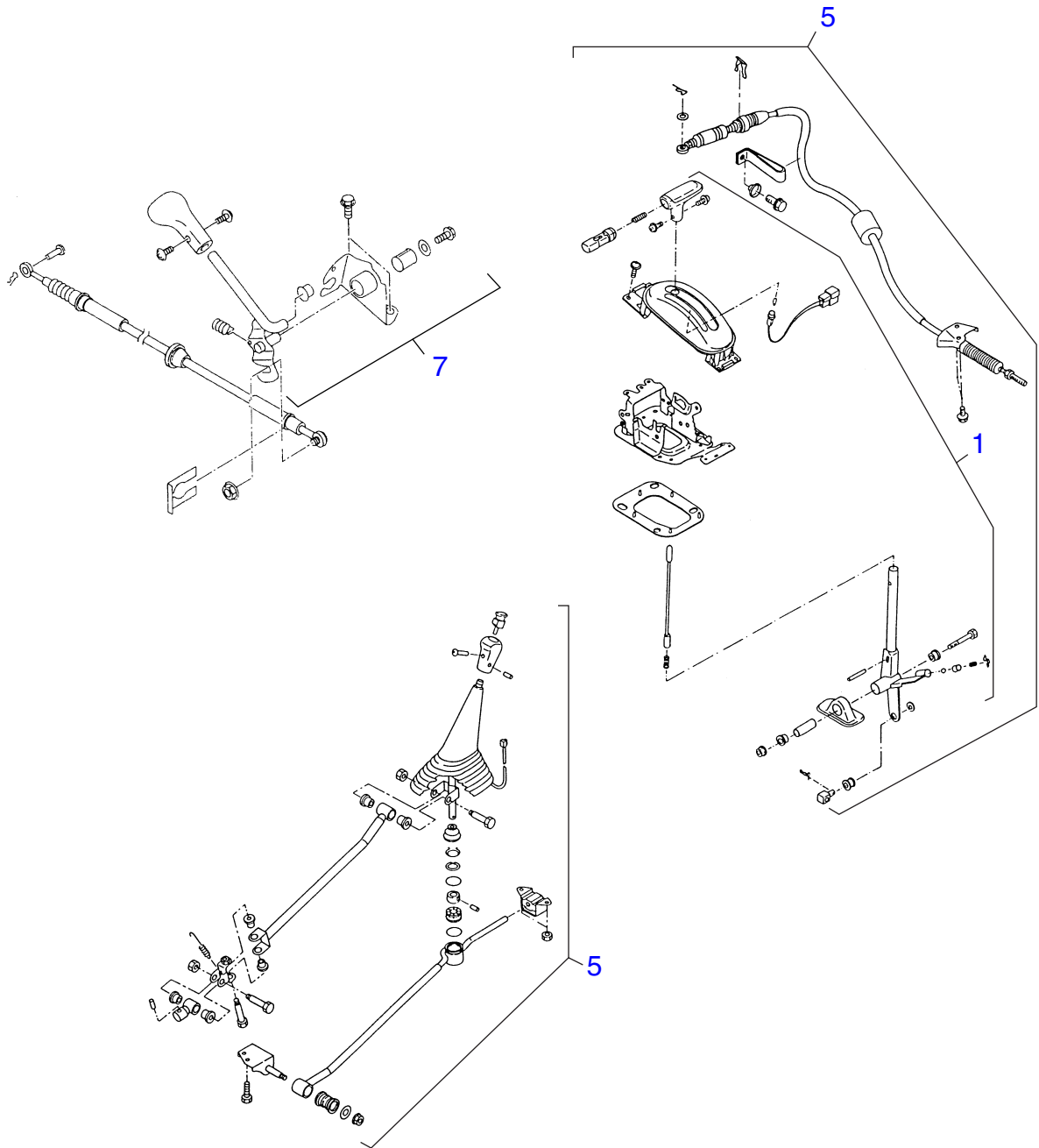
SC

No.	Work No.	Vehicle Information	Work Description	TIME (HOURS)			
				J Series	VIVIO	E12	MV
1	SC0001R		Starter Assy	0.5	0.5	0.6	0.3
2	SC0002R		Generator Assy / On car	0.4	1.0	0.3	0.2
4	SC0004R		Battery	0.3	0.3	0.3	0.3
	SC0999Z		Other	**	**	**	**

CS

CONTROL SYSTEM





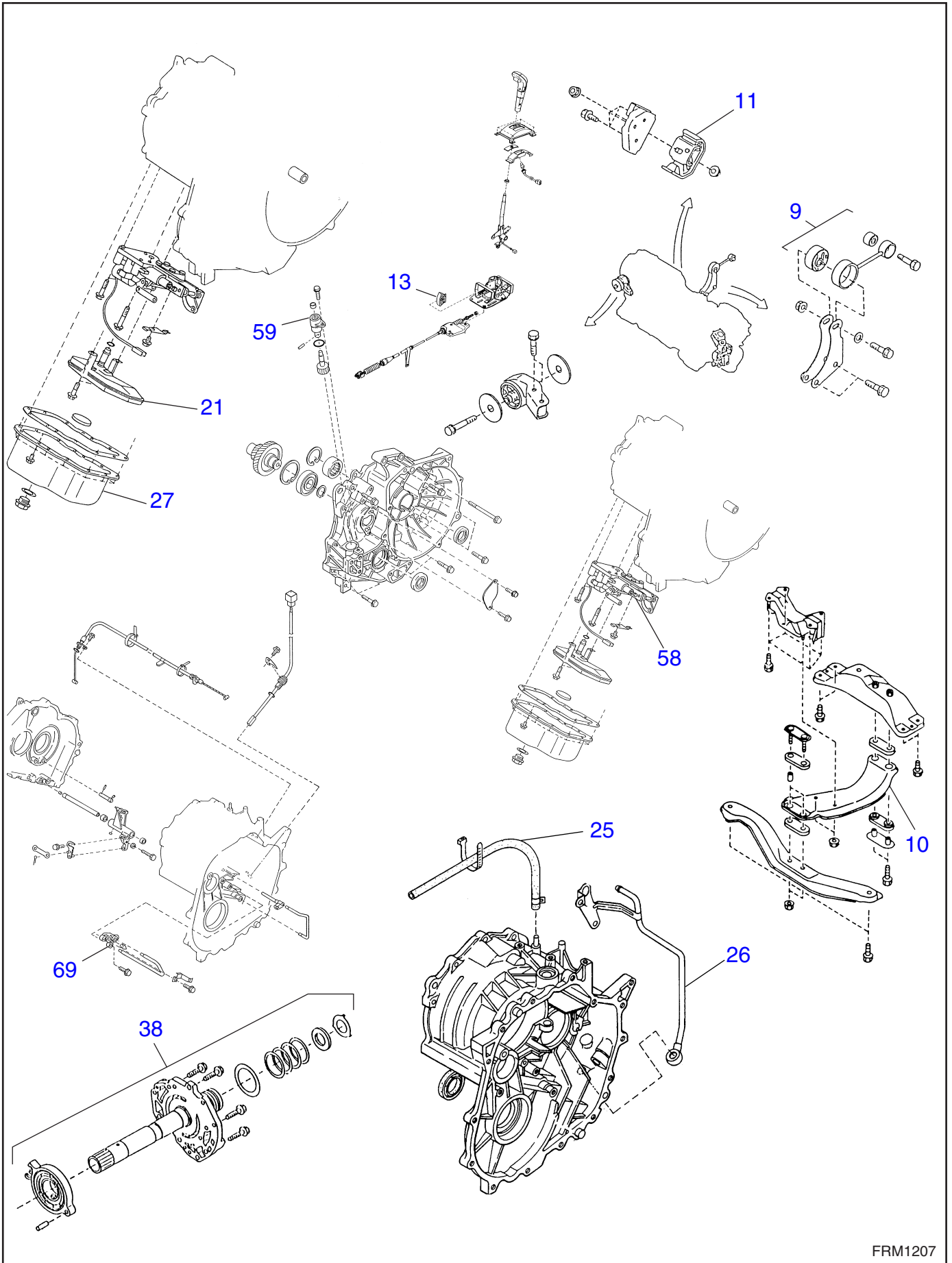
CS

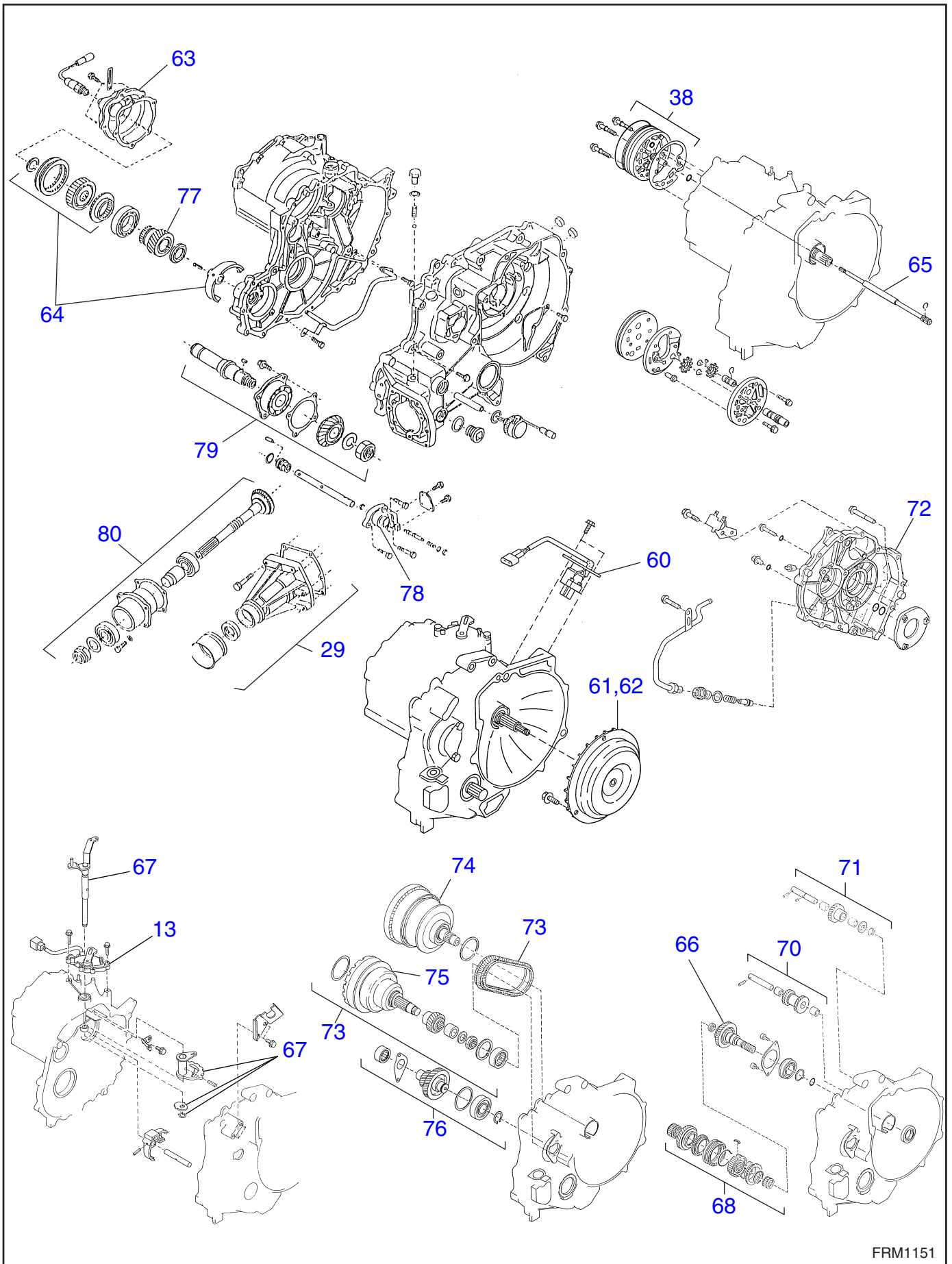
No.	Work No.	Vehicle Information	Work Description	TIME (HOURS)			
				J Series	VIVIO	E12	MV
1	CS0001R		Selector lever Assy	0.4	-	-	0.4
5	CS0005R		Gear shift Assy	0.5	0.5	0.6	1.4
7	CS0007R		Drive select lever	0.4	0.3	0.4	0.4
	CS0999Z		Other	**	**	**	**

AT

AUTOMATIC TRANSMISSION







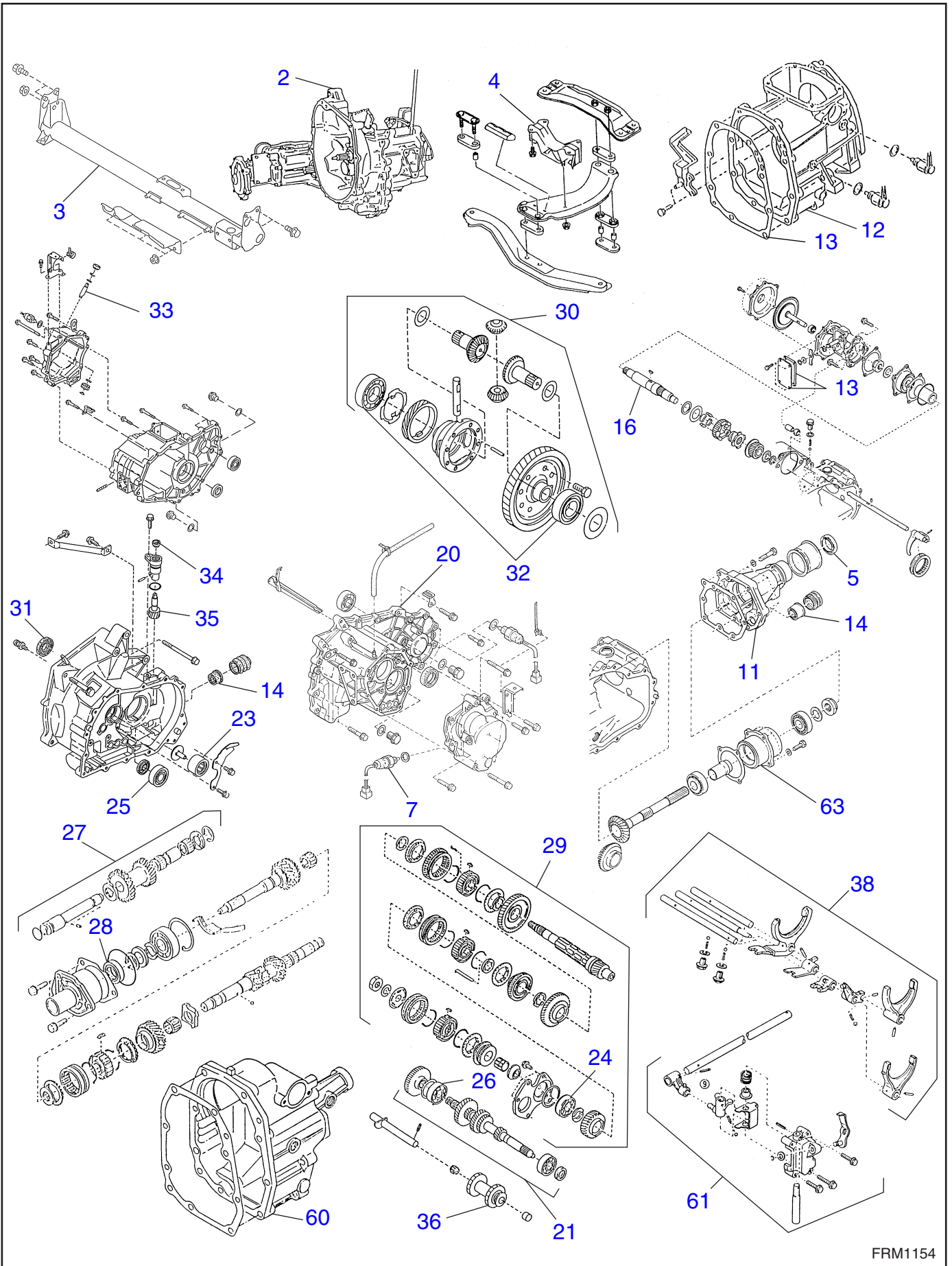
AT

No.	Work No.	Vehicle Information	Work Description	TIME (HOURS)			
				J Series	VIVIO	E12	MV
1*	AT0001N		ATF	0.4	-	-	-
2*	AT0002N		Front differential gear oil	0.1	-	-	-
3*	AT0003M		Road test	0.8	0.8	-	-
4*	AT0004M		Stall test	0.8	0.8	-	-
5*	AT0005M		Time lag test	0.7	0.7	-	-
6*	AT0006M		Line pressure test	1.0	1.0	-	-
9	AT0009R		Pitching stopper rod Assy	0.3	0.2	-	-
10	AT0010R		Center crossmember	0.2	0.2	-	-
11	AT0011R		Rear cushion rubber	0.8	0.6	-	-
13	AT0013R		Inhibitor switch	0.5	0.5	-	-
21	AT0021R		Oil strainer	0.6	0.6	-	-
25	AT0025R		Air breather hose	0.2	0.2	-	-
26	AT0026R		Oil charger pipe	0.1	0.1	-	-
27	AT0027R		Oil pan	0.5	0.5	-	-
29	AT0029R		Extension Assy	4.0	4.0	-	-
38	AT0038R		Oil pump Assy	4.2	4.2	-	-
58	AT0058R	ECVT	Control valve body Assy	0.7	0.7	-	-
59	AT0059R	ECVT	Speedometer cover or holder Assy	0.6	0.6	-	-
60	AT0060R	ECVT	Brush holder	0.2	0.2	-	-
61	AT0061R	ECVT	Electromagnetic power clutch	3.8	3.8	-	-
62	AT0062R	ECVT	Continuity & insulation	4.1	4.1	-	-
63	AT0063R	ECVT	Transfer cover	3.7	3.7	-	-
64	AT0064R	ECVT	Transfer fork & hub Assy	4.1	4.1	-	-
65	AT0065R	ECVT	Oil pump shaft	4.1	4.1	-	-
66	AT0066R	ECVT	Main drive shaft Assy	8.2	8.2	-	-
67	AT0067R	ECVT	Shift cam & arm Assy	7.8	7.8	-	-
68	AT0068R	ECVT	Sleeve & hub Assy	7.8	7.8	-	-
69	AT0069R	ECVT	Engine brake body	7.8	7.8	-	-
70	AT0070R	ECVT	Counter gear shaft Assy	7.8	7.8	-	-
71	AT0071R	ECVT	Reverse idler gear shaft Assy	8.0	8.0	-	-
72	AT0072R	ECVT	Side case	5.2	5.2	-	-
73	AT0073R	ECVT	Secondary pulley & steel belt	9.4	9.4	-	-
74	AT0074R	ECVT	Primary pulley	8.5	8.5	-	-
75	AT0075R	ECVT	Secondary pulley	9.4	9.4	-	-
76	AT0076R	ECVT	Drive pinion shaft Assy	7.9	7.9	-	-
77	AT0077R	ECVT	Transfer driven gear Assy	7.2	7.2	-	-
78	AT0078R	ECVT	Transfer actuator body Assy	7.7	7.7	-	-
79	AT0079R	ECVT	Transfer gear shaft Assy	7.4	7.4	-	-
80	AT0080R	ECVT	Transfer pinion shaft Assy	8.1	8.1	-	-
	AT0999Z		Other	**	**	**	**

MT

**MANUAL TRANSMISSION AND
DIFFERENTIAL**





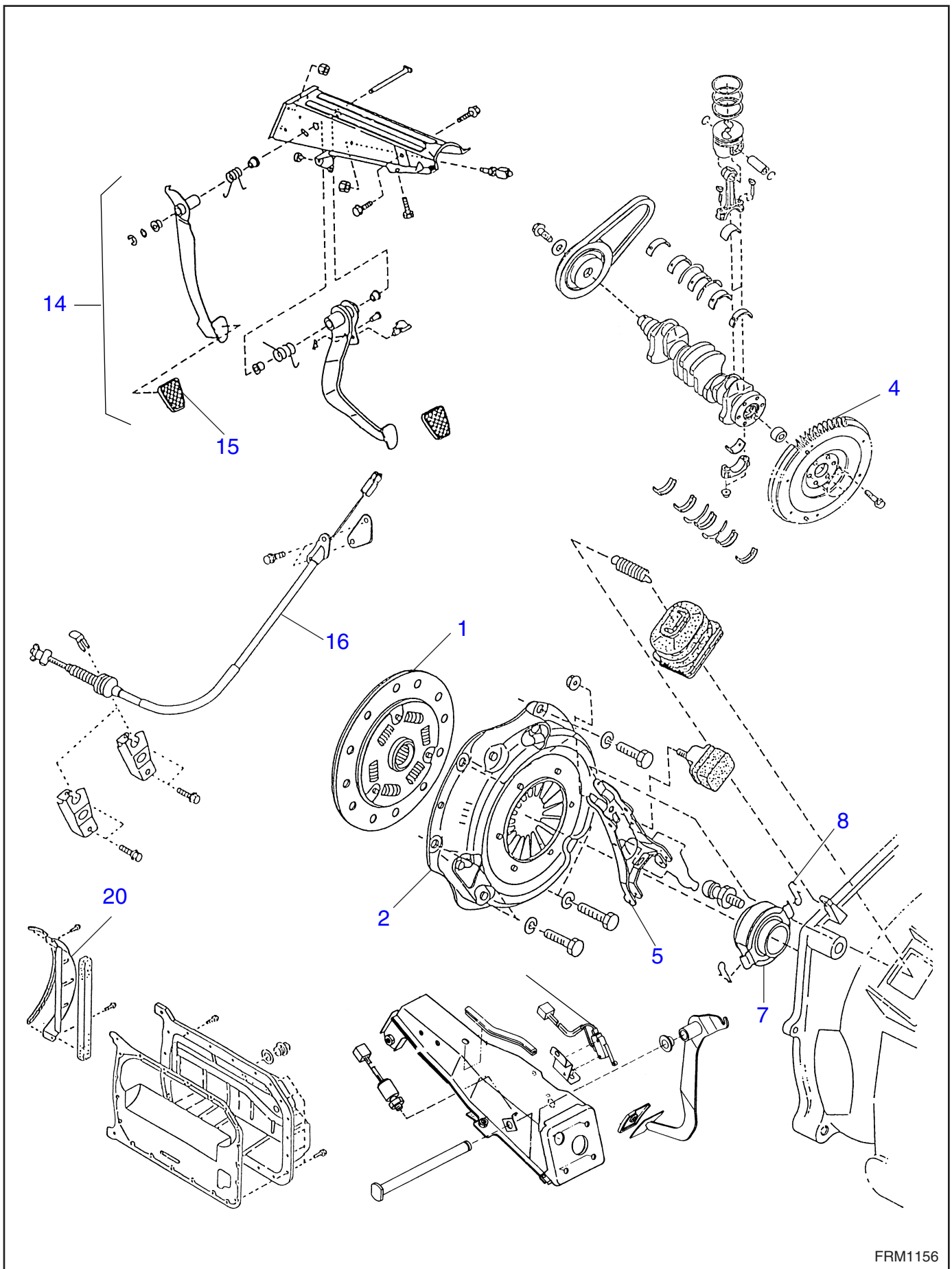
MT

No.	Work No.	Vehicle Information	Work Description	TIME (HOURS)			
				J Series	VIVIO	E12	MV
1*	MT0001R		MT gear oil	0.3	0.3	0.3	0.3
2	MT0002R		Transmission & differential Assy	3.4	3.0	3.4	4.5
	MT0002D		Transmission & differential Assy / OH	8.0	8.0	9.9	7.6
3	MT0003R		Rear crossmember	-	-	1.1	0.4
4	MT0004R		Transmission mounting cushion rubber	2.7	4.1	-	2.8
5	MT0005R		Extension oil seal	4.0	5.2	6.1	1.1
6	MT0006R		Low switch	0.2	0.2	0.4	0.2
7	MT0007R		Back up light switch	0.2	0.2	0.4	0.2
11	MT0011R		Extension case	4.0	5.2	6.0	4.3
12	MT0012R		Transfer case	-	-	-	4.0
13	MT0013R		Transfer case cover & gasket	-	4.2	5.3	2.9
14	MT0014R		Shift rod oil seal	6.4	4.9	-	3.0
16	MT0016R		Transfer shaft Assy	6.5	7.3	7.3	-
20	MT0020R		Transmission main case	6.0	5.0	7.4	5.2
21	MT0021R		Main shaft Assy	7.0	5.6	7.2	4.7
23	MT0023R		Drive pinion bearing	4.7	4.5	6.7	4.1
24	MT0024R		Drive pinion ball bearing	5.7	5.5	7.1	4.3
25	MT0025R		Main shaft clutch side bearing	6.4	5.6	7.0	5.5
26	MT0026R		Main shaft ball bearing	6.4	5.5	7.1	3.8
27	MT0027R		Input shaft Assy	7.0	6.1	7.2	4.7
28	MT0028R		Input shaft oil seal	6.8	5.8	6.9	4.4
29	MT0029R		Drive pinion shaft Assy	7.0	6.1	7.2	5.0
30	MT0030R		Transmission front differential	6.7	5.7	6.9	4.7
31	MT0031R		Differential oil seal / One side	6.2	5.1	6.6	5.4
32	MT0032R		Differential bearing	6.0	5.2	6.6	5.4
33	MT0033R		Speedometer shaft	6.0	6.0	5.2	3.0
34	MT0034R		Speedometer shaft oil seal	3.7	4.3	5.2	3.0
35	MT0035R		Speedometer driven gear	3.2	4.3	5.2	3.1
36	MT0036R		Reverse idler gear	6.4	5.7	6.4	4.3
38	MT0038R		Shifter fork and fork rod	6.4	5.7	6.5	4.8
60	MT0060R		Rear case	-	-	-	2.7
61	MT0061R		Shifter arm Assy	6.4	5.0	6.5	4.3
63	MT0063R		Transfer bearing case Assy	6.2	7.1	6.9	-
	MT0999Z		Other	**	**	**	**

CL

CLUTCH SYSTEM





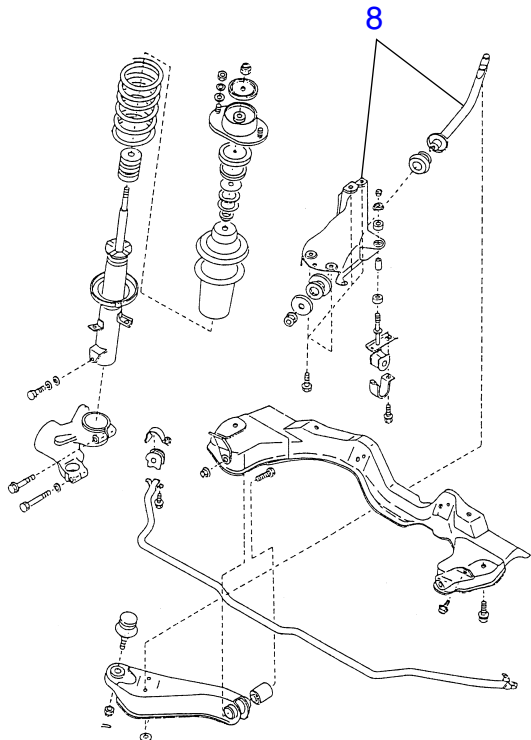
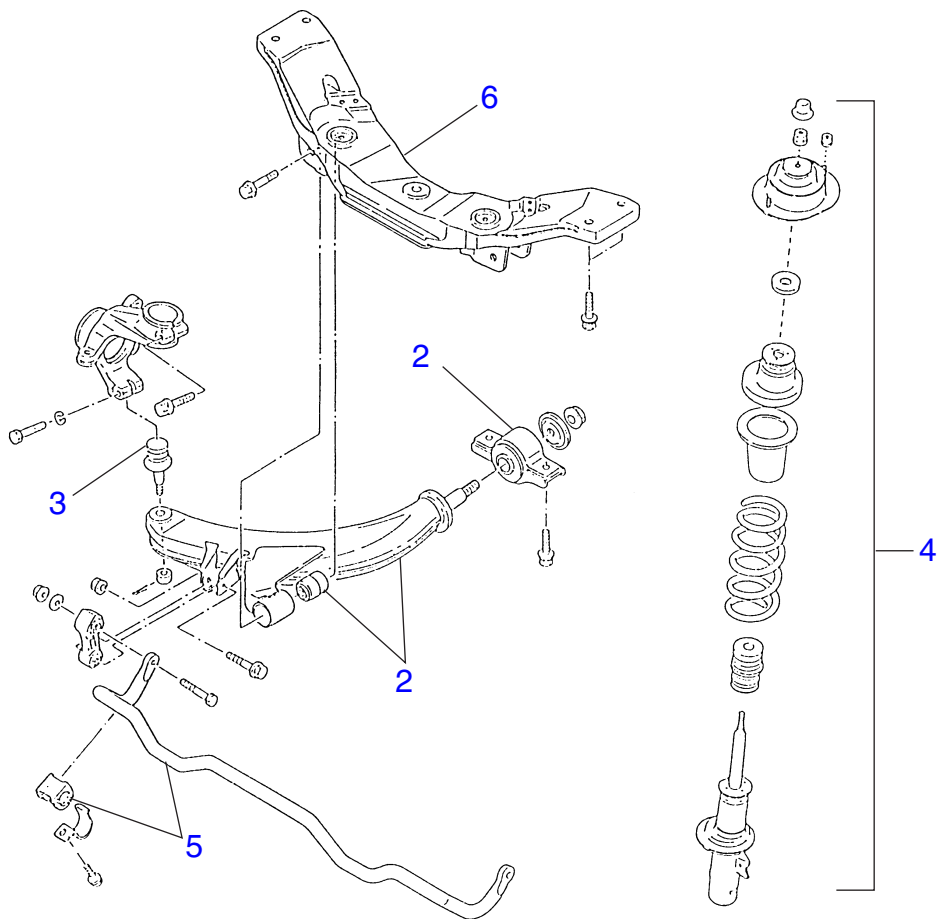
CL

No.	Work No.	Vehicle Information	Work Description	TIME (HOURS)			
				J Series	VIVIO	E12	MV
1	CL0001R		Clutch disc	3.7	3.3	3.7	-
2	CL0002R		Clutch cover	3.7	3.3	3.7	-
4	CL0004R		Flywheel	3.4	3.4	3.4	2.7
5	CL0005R		Clutch release fork and lever	3.7	4.4	5.2	5.4
7	CL0007R		Clutch release bearing	3.6	4.4	5.2	5.4
8	CL0008R		Clutch release bearing spring	3.6	4.4	5.2	5.4
14	CL0014R		Clutch pedal Assy	0.3	0.3	0.3	0.3
15	CL0015R		Clutch pedal pad	0.2	0.2	0.2	0.2
16	CL0016R		Clutch cable	0.3	0.2	0.5	0.3
17*	CL0017R	LHD	Clutch switch (Single type)	0.2	0.2	0.2	0.2
20	CL0020R		Flywheel housing	3.4	3.4	5.1	3.2
	CL0999Z		Other	**	**	**	**

FS

FRONT SUSPENSION





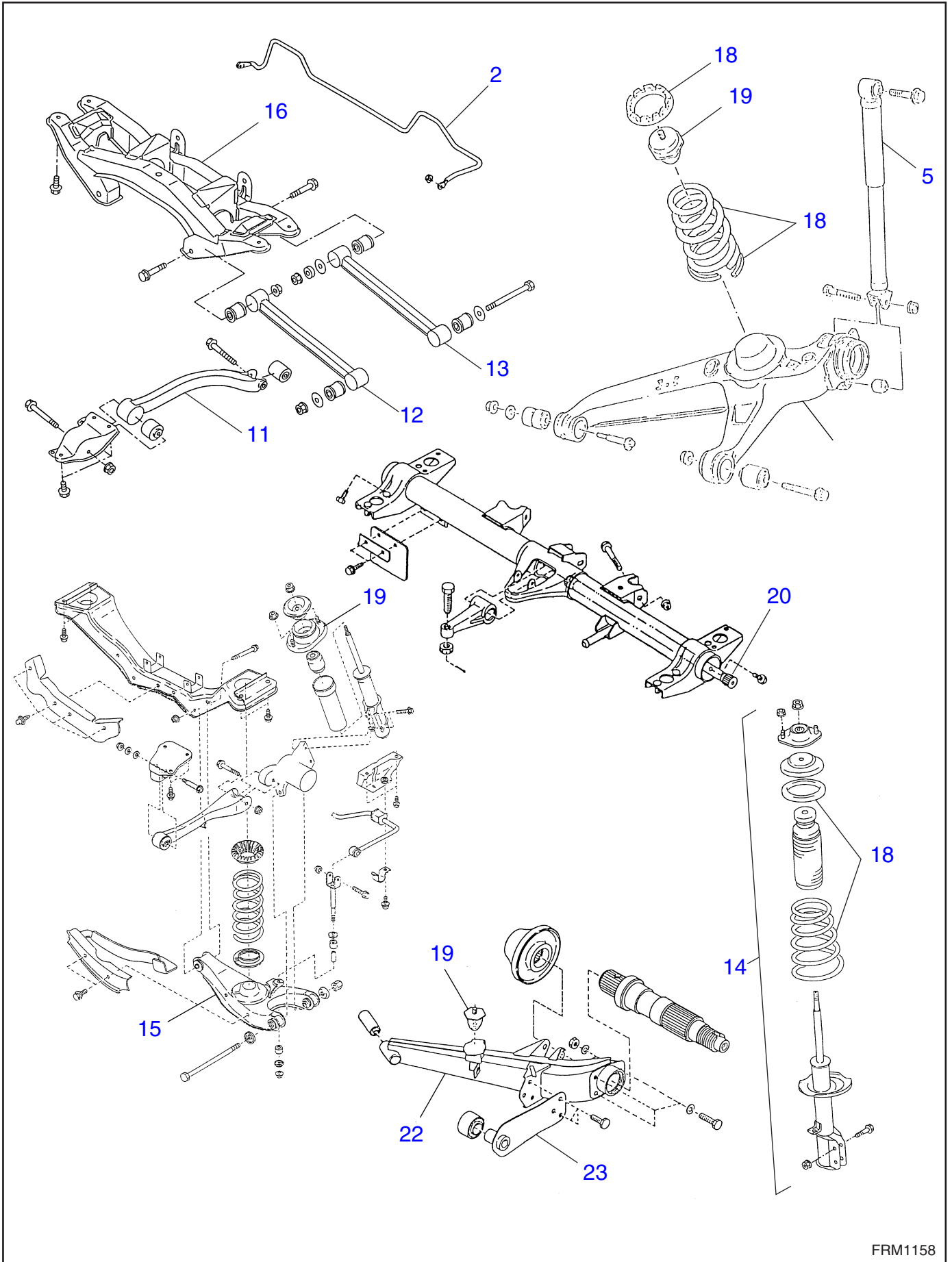
FS

No.	Work No.	Vehicle Information	Work Description	TIME (HOURS)			
				J Series	VIVIO	E12	MV
1*	FS0001A		Front wheel alignment	0.5	0.5	0.5	0.5
2	FS0002R		Transverse link Assy / One side	0.6	0.4	0.5	0.6
	FS00025		Transverse link Assy / Opposite side	0.5	0.3	0.4	0.5
3	FS0003R		Front ball joint	0.4	0.4	0.4	0.4
4	FS0004D		Front strut Assy OH / One side	0.9	0.8	0.6	0.9
	FS00042		Front strut Assy OH / Opposite side	0.5	0.7	0.5	0.5
	FS0004R		Front strut Assy / One side	0.7	0.7	0.7	0.7
	FS00045		Front strut Assy / Opposite side	0.4	0.4	0.4	0.4
5	FS0005R		Front stabilizer	0.4	0.4	0.4	0.5
6	FS0006R		Front crossmember	-	0.8	1.2	-
8	FS0008R		Leading rod and / or bushings, bracket	0.5	0.5	-	0.7
	FS0999Z		Other	**	**	**	**

RS

REAR SUSPENSION





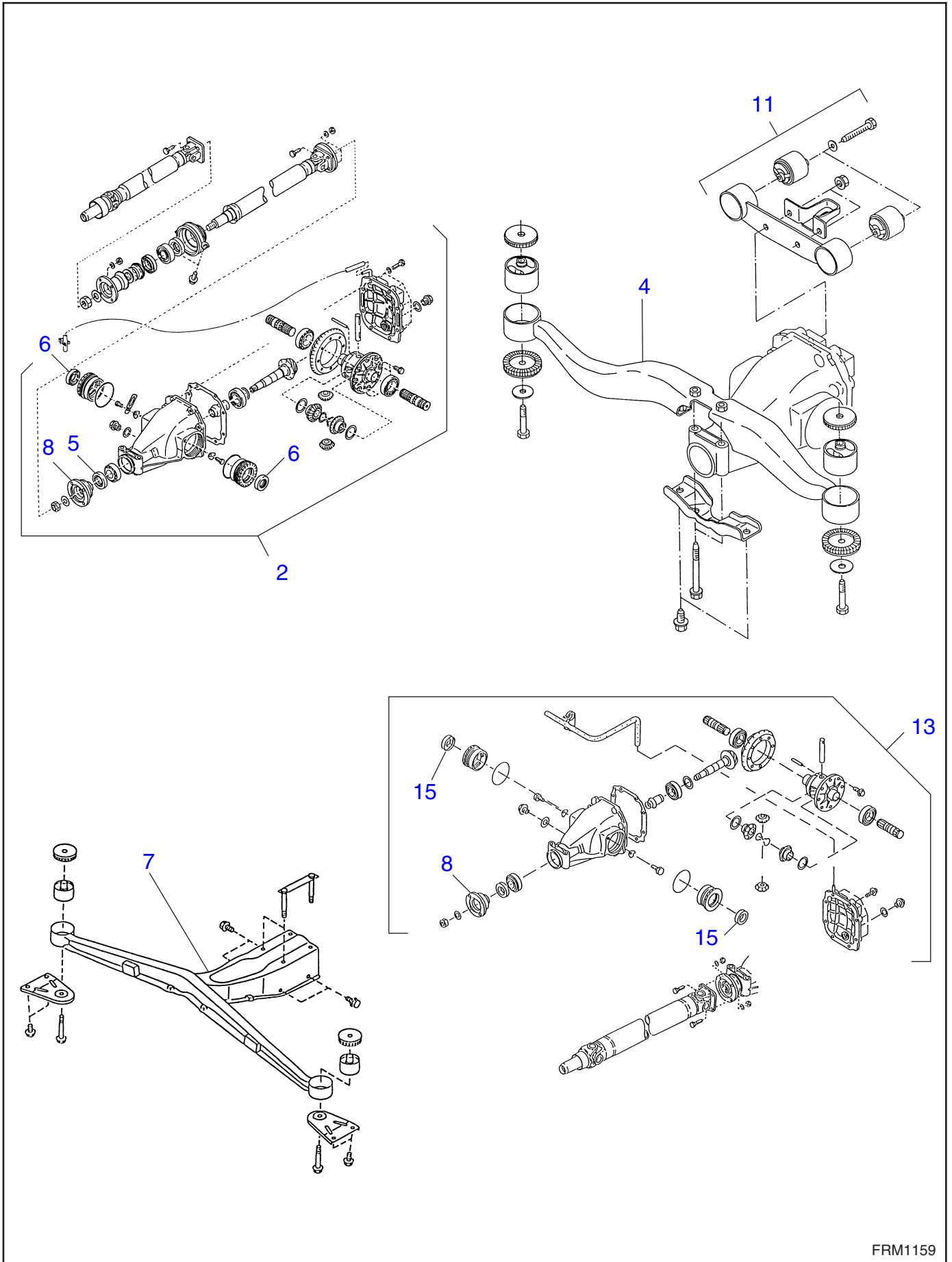
RS

No.	Work No.	Vehicle Information	Work Description	TIME (HOURS)			
				J Series	VIVIO	E12	MV
1*	RS0001A		Rear wheel alignment	0.3	0.3	0.3	0.3
2	RS0002R		Rear stabilizer	0.4	0.4	0.4	0.4
5	RS0005R		Rear shock absorber Assy / One side	0.4	0.4	0.4	0.2
	RS00055		Rear shock absorber Assy / Opposite side	0.3	-	0.3	0.2
11	RS0011R		Rear trailing link Assy / One side	0.4	0.3	-	-
	RS00115		Rear trailing link Assy / Opposite side	0.3	0.2	-	-
12	RS0012R		Front lateral link Assy	-	0.4	-	-
13	RS0013R		Rear lateral link Assy	-	0.4	-	-
14	RS0014D		Rear strut (Shock absorber) Assy OH / One side	-	0.7	-	-
	RS00142		Rear strut (Shock absorber) Assy OH / Opposite side	-	0.7	-	-
15	RS0015R		Lower (Upper) arm	0.3	-	-	-
16	RS0016R		Rear Suspension crossmember	1.3	1.1	-	1.7
17*	RS0017R		Rear trailing arm Assy / Both	-	-	0.8	-
18	RS0018R		Rear coil spring, Upper and Lower rubber seat / One side	0.4	0.7	0.5	-
	RS00185		Rear coil spring, Upper and Lower rubber seat / Opposite side	0.3	0.7	0.4	-
19	RS0019R		Rear helper	0.4	0.4	0.5	0.2
20	RS0020R		Torsion bar / One side	-	-	-	2.0
	RS00205		Torsion bar / Opposite side	-	-	-	0.4
22	RS0022R		Trailing inner arm Assy and / or bushings	-	-	-	0.5
23	RS0023R		Trailing outer arm Assy and / or bushings	-	-	-	0.6
	RS0999Z		Other	**	**	**	**

DI

DIFFERENTIALS





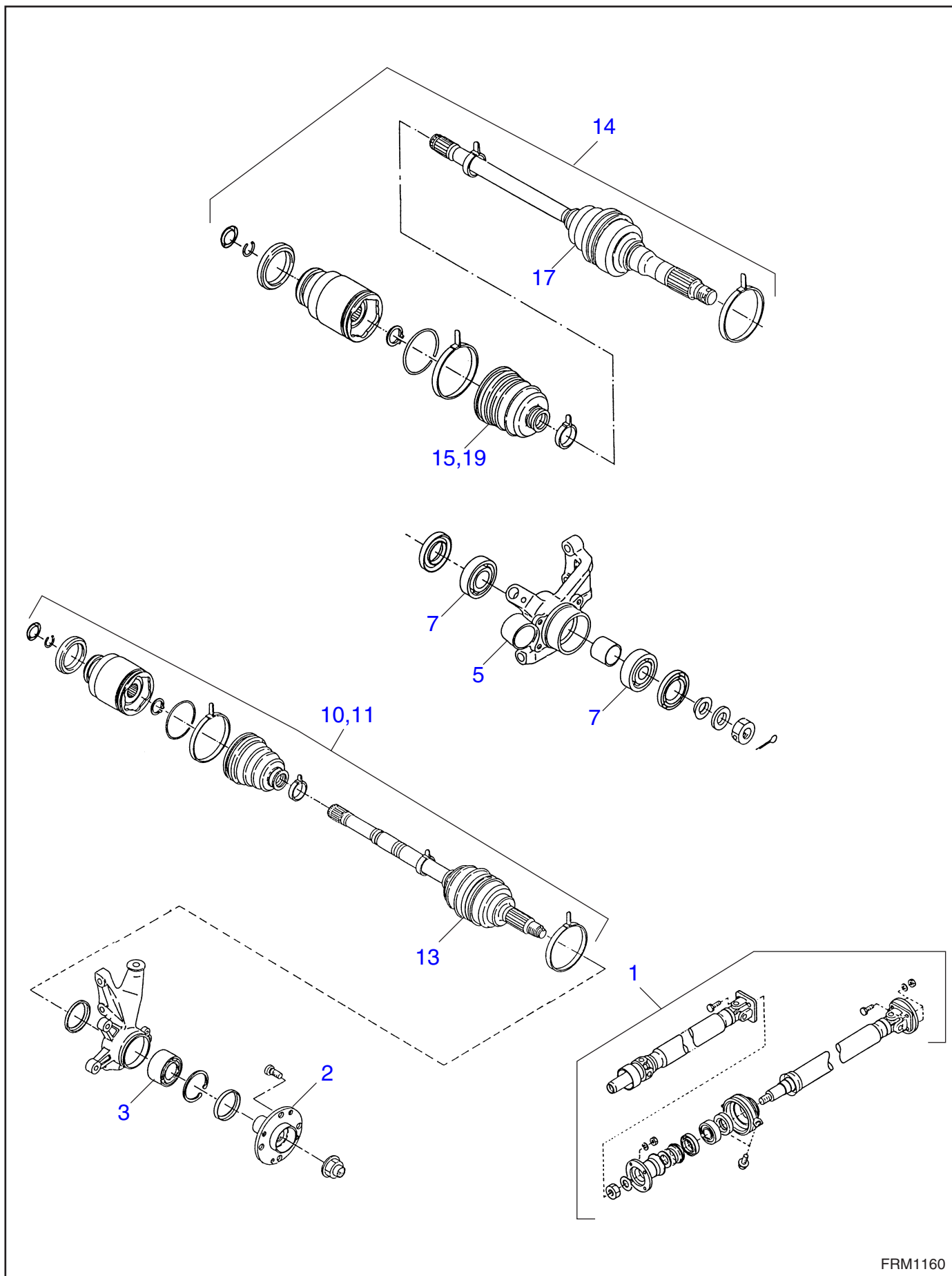
DI

No.	Work No.	Vehicle Information	Work Description	TIME (HOURS)			
				J Series	VIVIO	E12	MV
1*	DI0001R		Rear differential Oil	0.2	0.2	0.2	0.2
2	DI0002R		Rear (front) differential Assy	1.0	0.8	-	0.8
4	DI0004R		Rear differential member	1.0	0.6	-	-
5	DI0005R		Rear differential front oil seal	0.6	0.6	-	0.6
6	DI0006R		Rear differential side oil seal	1.0	2.0	-	1.0
7	DI0007R		Rear differential front member Assy	-	-	-	0.8
8	DI0008R		Companion flange	0.6	0.6	-	0.6
11	DI0011R		Bracket Assy	0.4	0.9	1.1	-
13	DI0013R		Front differential Assy	-	-	0.9	-
15	DI0015R		Axle shaft oil seal / Both	-	-	2.0	-
	DI0999Z		Other	**	**	**	**

DS

DRIVE SHAFT SYSTEM





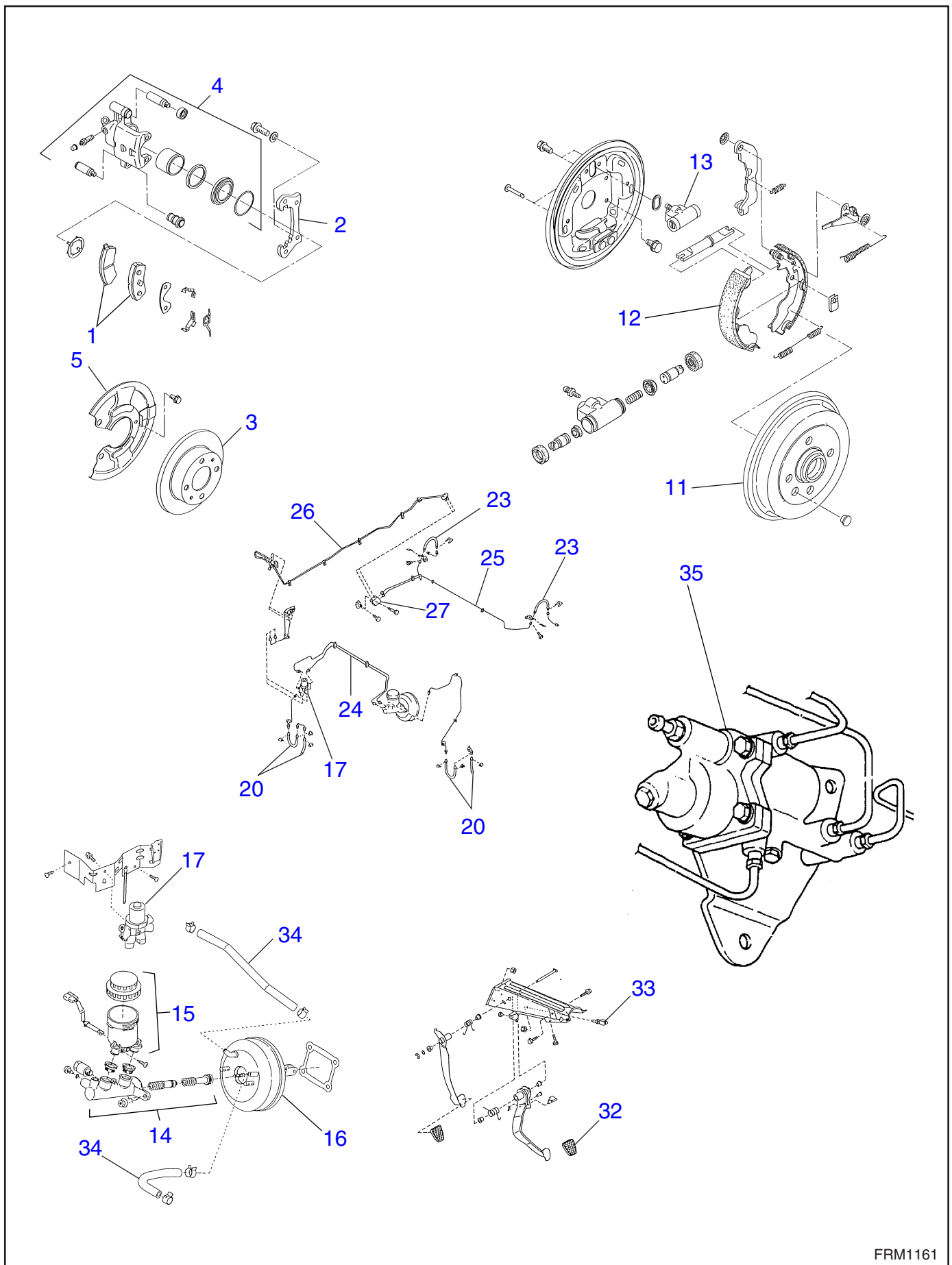
DS

No.	Work No.	Vehicle Information	Work Description	TIME (HOURS)			
				J Series	VIVIO	E12	MV
1	DS0001R		Propeller shaft Assy	0.3	0.3	0.3	0.3
2	DS0002R		Front hub	0.5	0.8	0.8	0.5
3	DS0003R		Front housing bearing	1.1	1.0	0.7	2.0
5	DS0005R		Rear housing / Drum	1.1	1.1	1.1	1.1
7	DS0007R		Rear housing bearing / Drum	1.0	1.3	1.4	1.1
10	DS0010R		Front drive shaft Assy / One side	0.9	0.7	0.7	0.6
	DS0010S		Front drive shaft Assy / Opposite side	0.2	0.6	0.3	0.2
11	DS0011D		Front drive shaft Assy OH / One side	1.2	1.1	1.2	1.2
	DS0011S		Front drive shaft Assy OH / Opposite side	1.0	1.0	0.8	1.0
13	DS0013R		Front outer boot / One side	1.0	1.1	0.9	1.0
	DS0013S		Front outer boot / Opposite side	0.8	0.9	0.9	0.6
14	DS0014D		Rear drive shaft Assy OH / One side	0.9	0.9	1.2	0.6
	DS0014S		Rear drive shaft Assy OH / Opposite side	0.9	0.9	1.1	0.6
	DS0014R		Rear drive shaft Assy / One side	0.7	0.6	0.7	0.2
	DS0014S		Rear drive shaft Assy / Opposite side	0.7	0.6	0.6	0.2
15	DS0015R		Rear inner boot / One side	0.5	0.8	0.8	0.6
	DS0015S		Rear inner boot / Opposite side	0.5	0.7	0.8	0.5
17	DS0017R		Rear outer boot / One side	0.6	0.9	0.7	0.7
	DS0017S		Rear outer boot / Opposite side	0.7	0.7	0.7	0.7
19	DS0019R		TJ boot	-	-	0.4	-
	DS0999Z		Other	**	**	**	**

BR

BRAKE





BR

No.	Work No.	Vehicle Information	Work Description	TIME (HOURS)			
				J Series	VIVIO	E12	MV
1	BR0001R		Front disc brake pad / One side	0.3	0.3	0.3	0.3
	BR00015		Front disc brake pad / Opposite side	0.2	0.2	0.2	0.2
2	BR0002R		Front disc brake support / One side	0.4	0.4	0.4	0.4
	BR00025		Front disc brake support / Opposite side	0.3	0.3	0.3	0.3
3	BR0003A		Front disc rotor refacing / One side	0.4	0.4	0.4	0.4
	BR00031		Front disc rotor refacing / Opposite side	0.4	0.4	0.4	0.4
	BR0003R		Front disc rotor / One side	0.4	0.4	0.4	0.4
	BR00035		Front disc rotor / Opposite side	0.3	0.3	0.3	0.3
4	BR0004D		Front caliper body Assy / One side	0.6	0.5	0.6	0.6
	BR00042		Front caliper body Assy / Opposite side	0.4	0.2	0.3	0.4
5	BR0005R		Disc cover / One side	0.3	0.3	0.7	0.5
	BR00055		Disc cover / Opposite side	0.3	0.1	0.5	0.5
11	BR0011R		Brake drum / One side	0.3	0.3	0.3	0.3
	BR00115		Brake drum / Opposite side	0.2	0.2	0.2	0.2
12	BR0012R		Brake shoe / One side	0.3	0.3	0.3	0.3
	BR00125		Brake shoe / Opposite side	0.2	0.2	0.2	0.2
13	BR0013D		Wheel cylinder Assy OH / include air bleeding / One side	0.6	0.6	0.6	0.6
	BR00132		Wheel cylinder Assy OH / include air bleeding / Opposite side	0.4	0.4	0.4	0.4
	BR0013R		Wheel cylinder Assy / include air bleeding / One side	0.5	0.5	0.5	0.5
	BR00135		Wheel cylinder Assy / include air bleeding / Opposite side	0.4	0.4	0.4	0.4
14	BR0014R	Except MT	Master cylinder Assy / include air bleeding	0.8	0.8	0.8	0.8
	BR0014R	MT	Master cylinder Assy / include air bleeding	0.8	0.8	0.8	0.8
	BR0014D	Except MT	Master cylinder Assy OH / include air bleeding	1.1	1.1	1.1	1.2
	BR0014D	MT	Master cylinder Assy OH / include air bleeding	1.1	1.1	1.1	1.2
15	BR0015R		Master cylinder reservoir tank Assy / include air bleeding	0.6	0.6	0.6	0.7
16	BR0016R	Except MT	Brake booster Assy / include air bleeding	0.9	1.0	1.0	0.8
	BR0016R	MT	Brake booster Assy / include air bleeding	0.9	1.0	1.0	0.8
17	BR0017R		Proportioning valve / include air bleeding	0.3	0.5	0.3	0.5
18*	BR0018R		Brake fluid replacement	0.3	0.3	0.3	0.3
19*	BR0019R		Brake system air bleeding	0.2	0.2	0.2	0.2
20	BR0020R		Front brake hose / include air bleeding / One side	0.3	0.3	0.3	0.3
	BR00205		Front brake hose / include air bleeding / Opposite side	0.2	0.2	0.2	0.2

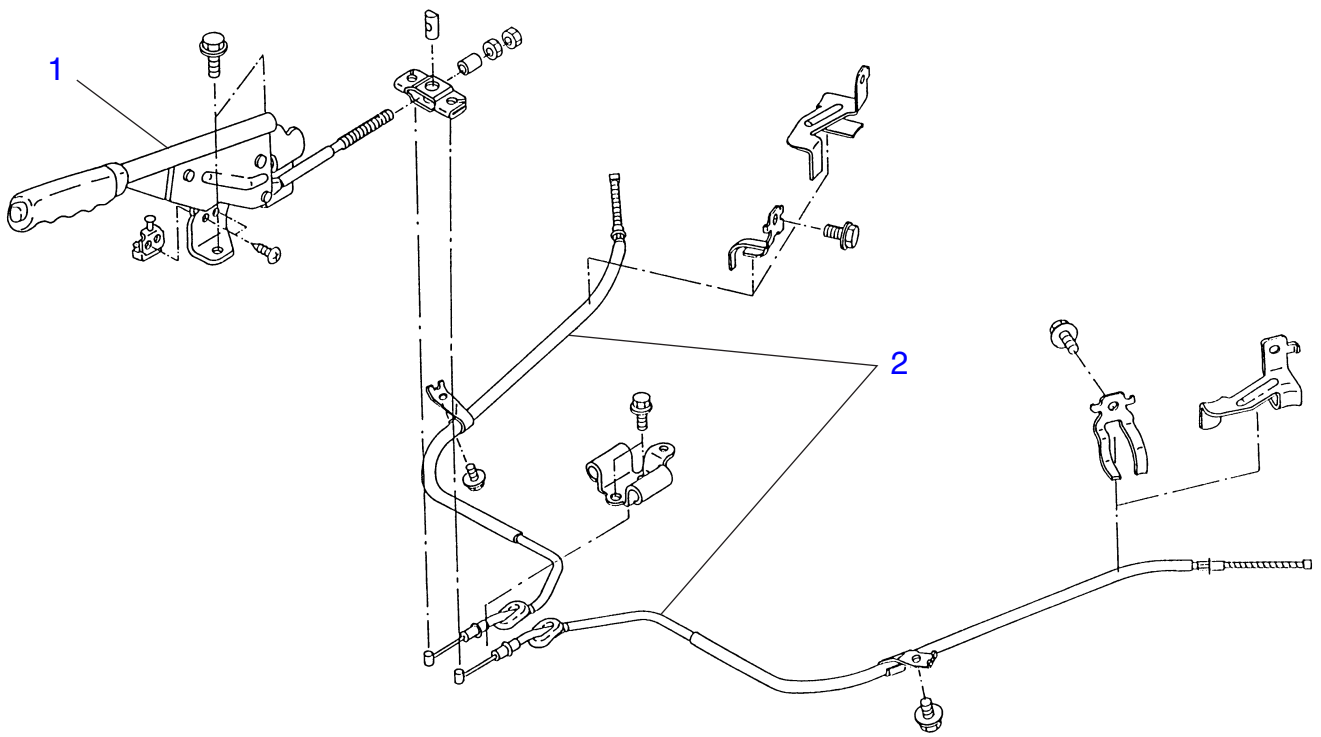
BR

No.	Work No.	Vehicle Information	Work Description	TIME (HOURS)			
				J Series	VIVIO	E12	MV
23	BR0023R		Rear brake hose / include air bleeding / One side	0.3	0.3	0.3	0.3
	BR00235		Rear brake hose / include air bleeding / Opposite side	0.2	0.2	0.2	0.2
24	BR0024R		Front brake pipe Assy / include air bleeding	0.4	0.6	0.8	0.4
25	BR0025R		Rear brake pipe Assy (RH) / include air bleeding	0.8	1.0	1.0	0.8
26	BR0026R		Center brake pipe Assy / include air bleeding	0.9	1.0	1.0	0.9
27	BR0027R		Connector	0.3	0.3	0.3	0.3
32	BR0032R		Brake pedal pad	0.2	0.2	0.2	0.2
33	BR0033R		Stop light switch	0.2	0.2	0.2	0.2
34	BR0034R		Vacuum hose (booster)	0.1	0.1	0.2	0.1
35	BR0035R		G load sensing valve	-	-	-	0.3
	BR0999Z		Other	**	**	**	**

PB

PARKING BRAKE





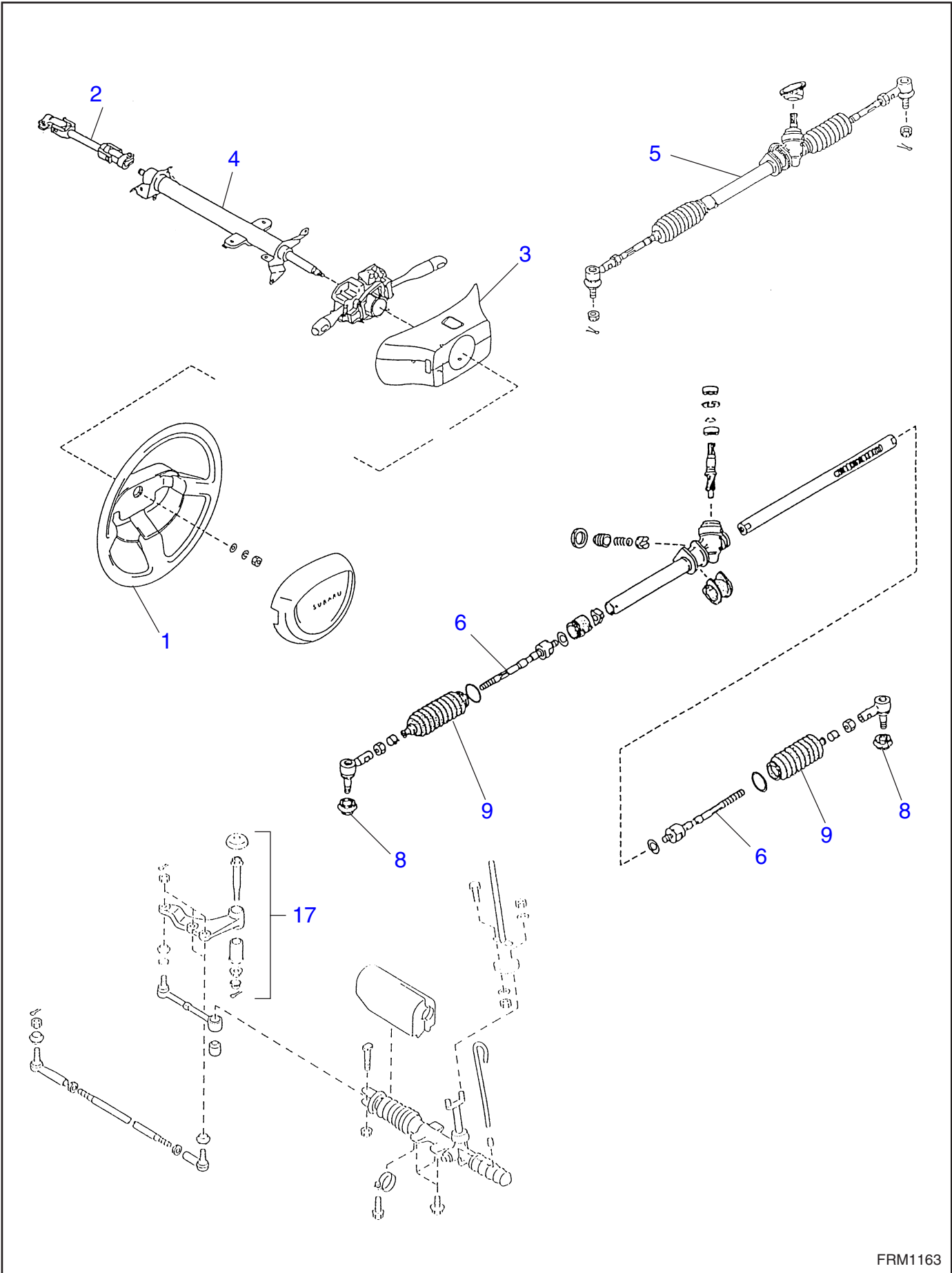
PB

No.	Work No.	Vehicle Information	Work Description	TIME (HOURS)			
				J Series	VIVIO	E12	MV
1	PB0001R		Parking brake lever Assy	0.3	0.3	0.4	0.3
2	PB0002R		Parking brake cable Assy / One side	0.9	0.7	0.6	1.3
	PB00025		Parking brake cable Assy / Opposite side	0.5	0.3	0.4	0.9
	PB0999Z		Other	**	**	**	**

PS

**POWER ASSISTED SYSTEM
(POWER STEERING)**





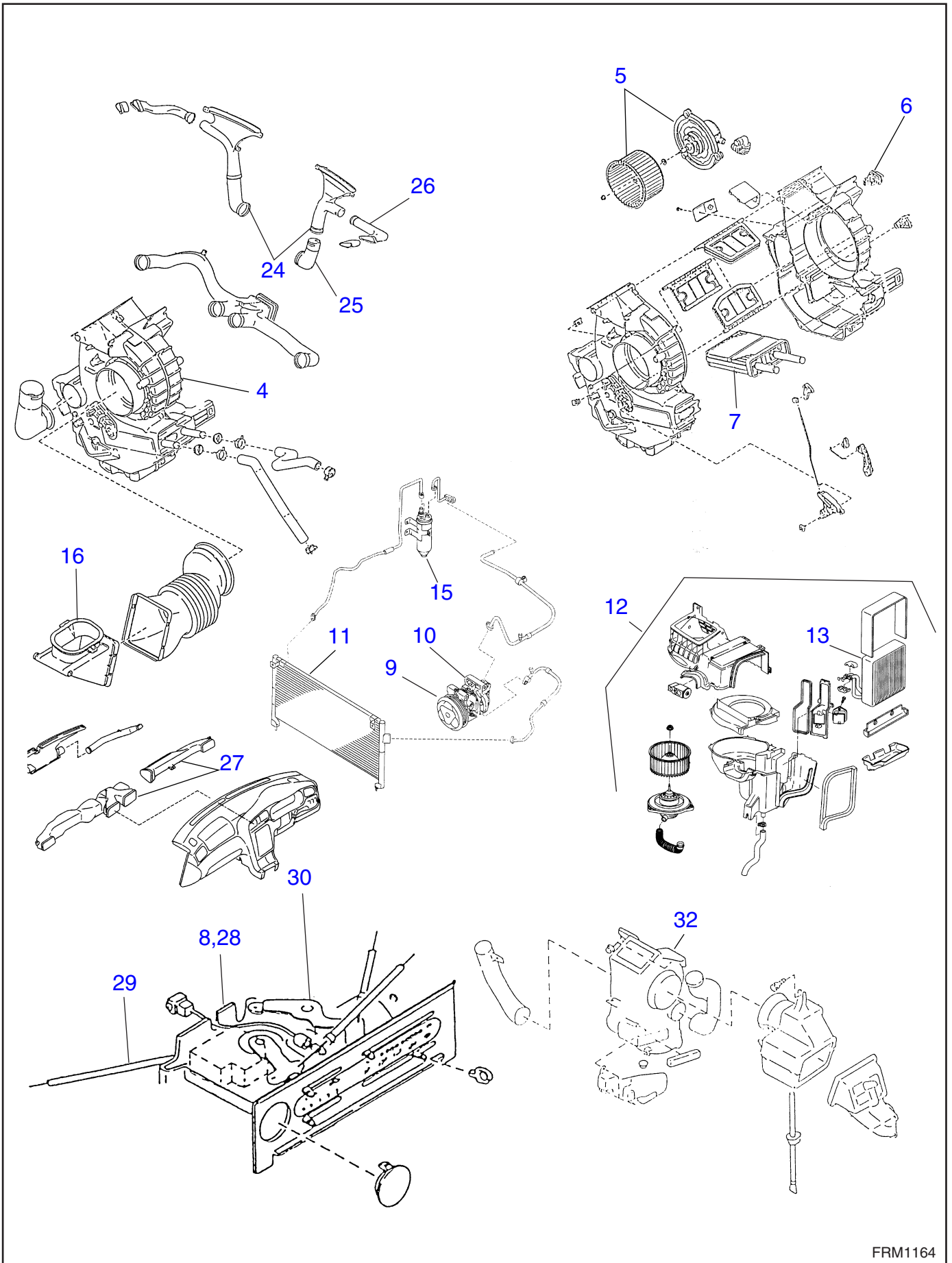
PS

No.	Work No.	Vehicle Information	Work Description	TIME (HOURS)			
				J Series	VIVIO	E12	MV
1	PS0001R		Steering wheel	0.2	0.2	0.2	0.2
2	PS0002R		Universal joint	0.3	0.6	0.4	0.2
3	PS0003R		Steering column cover	0.2	0.2	0.2	0.2
4	PS0004R		Steering column Assy	0.6	0.6	0.4	0.6
5	PS0005D		Steering gear box Assy OH	2.1	1.8	1.2	2.6
	PS0005R		Steering gear box Assy	1.5	3.6	0.8	1.8
6	PS0006R		Tie-rod / One side	0.9	0.9	0.7	0.9
	PS00065		Tie-rod / Opposite side	0.2	0.6	0.4	0.2
8	PS0008R		Tie-rod end dust boot	0.3	0.3	0.3	0.3
9	PS0009R		Gear box boot / One side	0.7	0.7	0.7	0.7
	PS00095		Gear box boot / Opposite side	0.1	0.6	0.1	0.1
17	PS0017R		Center lever Assy	-	-	0.7	-
	PS0999Z		Other	**	**	**	**

AC

**HVAC SYSTEM
(HEATER, VENTILATOR AND A/C)**





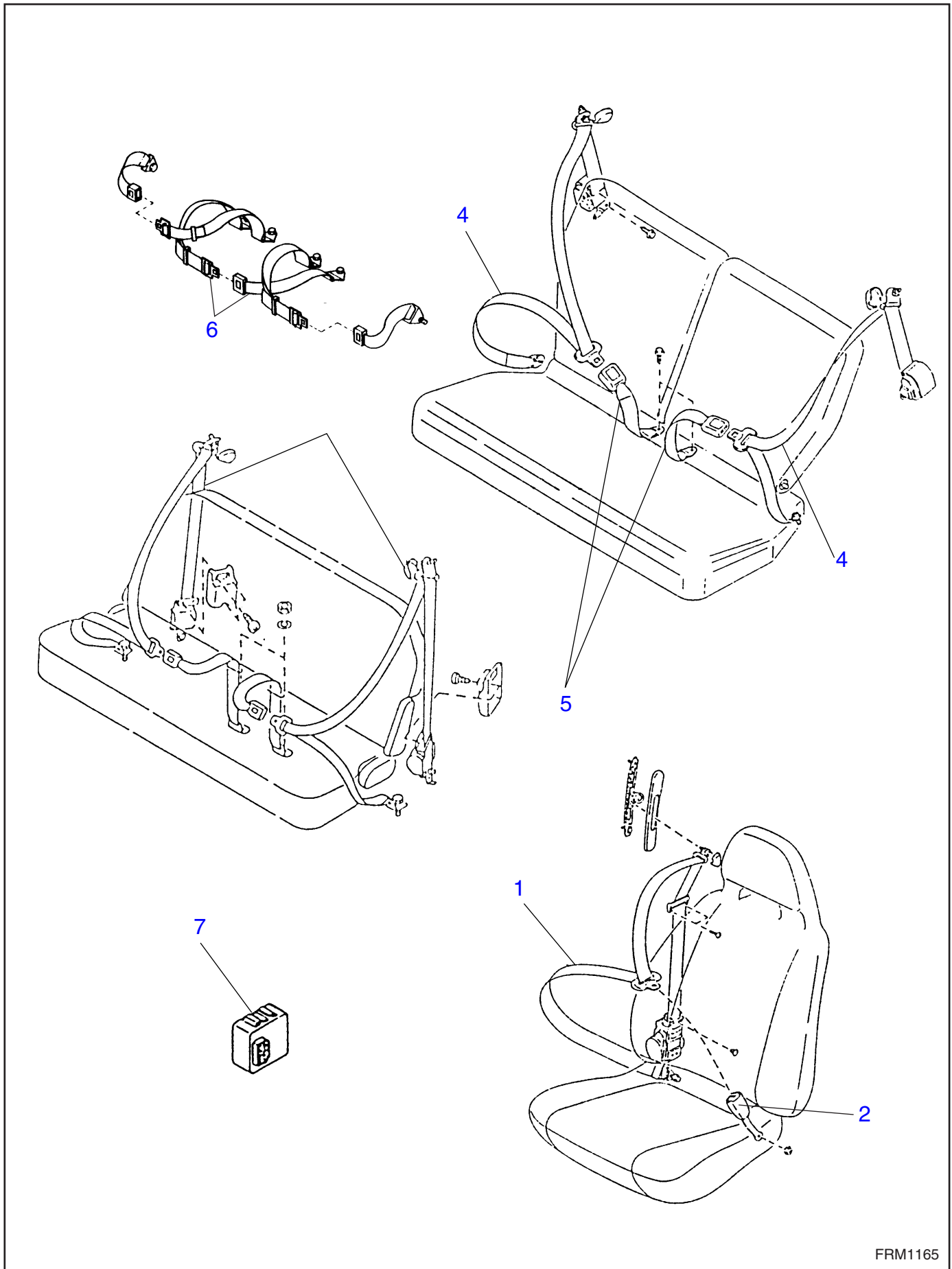
AC

No.	Work No.	Vehicle Information	Work Description	TIME (HOURS)			
				J Series	VIVIO	E12	MV
1*	AC0001R		Refrigerant recovery procedure	0.4	0.4	0.4	0.4
2*	AC0002R		Refrigerant charging procedure	0.4	0.4	0.4	0.4
4	AC0004R	Non A/C	Heater unit Assy / Front	2.0	1.6	1.7	3.4
5	AC0005R		Blower motor and fan Assy	0.2	0.4	0.9	0.7
6	AC0006R		Heater blower resistor (Power transistor)	0.3	0.1	0.9	0.3
7	AC0007R		Heater core	2.2	1.8	1.9	3.6
8	AC0008R		Heater control unit Assy	0.3	0.7	1.0	0.6
9	AC0009R		Compressor clutch	0.5	0.5	0.5	0.5
10	AC0010R		Compressor	0.5	0.5	0.5	0.5
11	AC0011R		Condenser	0.4	0.4	0.4	0.4
12	AC0012R		Heater and cooling unit	2.2	2.2	2.2	2.2
13	AC0013R		Evaporator	1.2	1.2	1.2	1.2
15	AC0015R		Receiver drier	0.2	0.2	0.2	0.2
16	AC0016R		Intake unit Assy	0.2	0.2	0.2	0.6
24	AC00246		Front defroster nozzle / Both side	1.4	0.6	0.5	2.6
25	AC00256		Front defroster duct / Both side	1.4	0.6	0.9	2.6
26	AC00266		Side defroster duct / Both side	1.4	0.6	0.9	2.6
27	AC0027R	Driver side	Side ventilation duct	0.5	0.5	0.5	0.5
28	AC0028R		Heater control lever Assy	0.6	1.0	1.1	0.7
29	AC0029R		Heater control cable	0.4	0.7	1.1	0.7
30	AC0030R		Heater control lever Illumination bulb	0.4	0.7	1.1	0.7
32	AC0032R		Cooling unit Assy / Rear	-	-	0.6	-
	AC0999Z		Other	**	**	**	**

SB

SEAT BELT SYSTEM





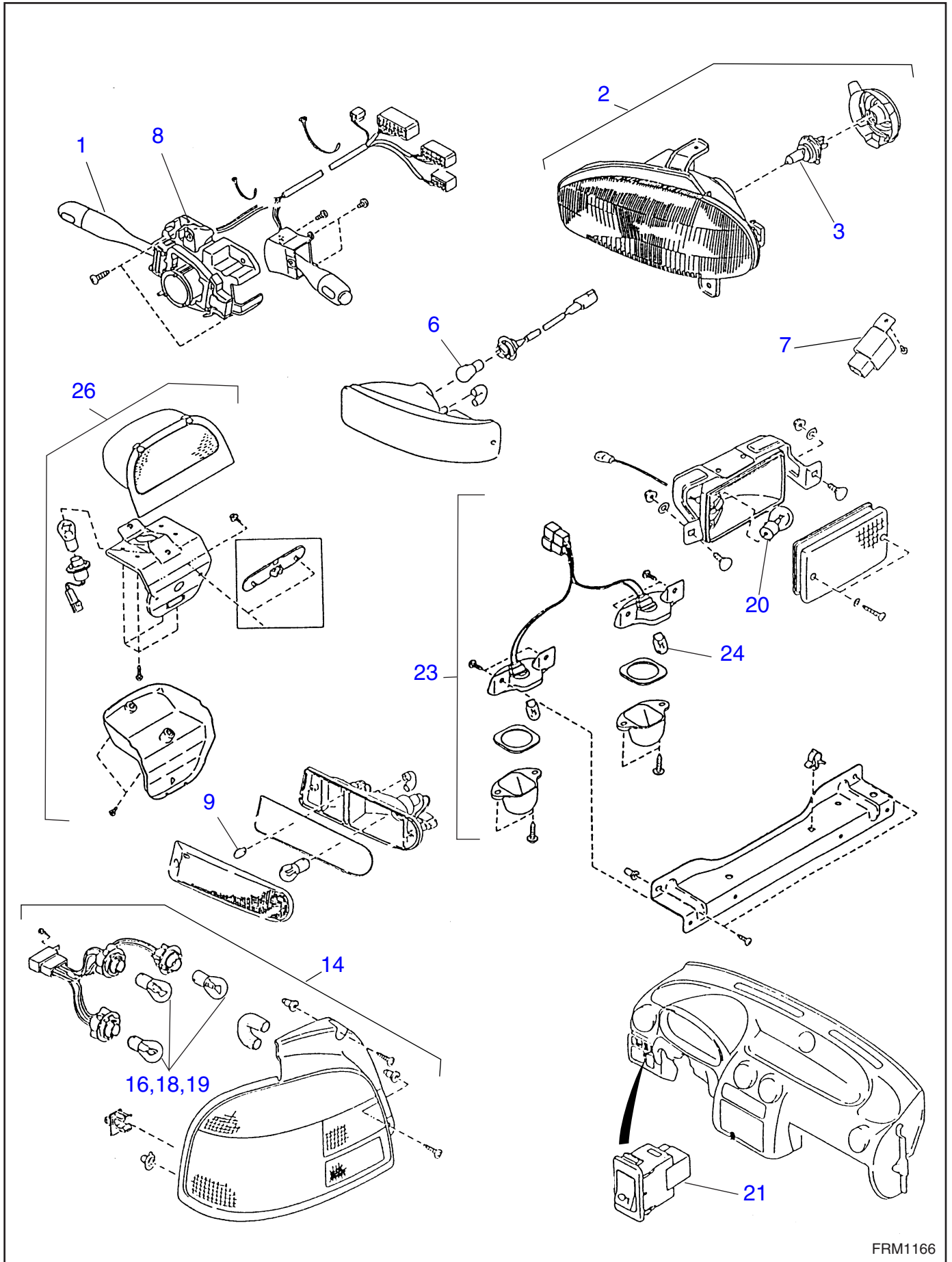
SB

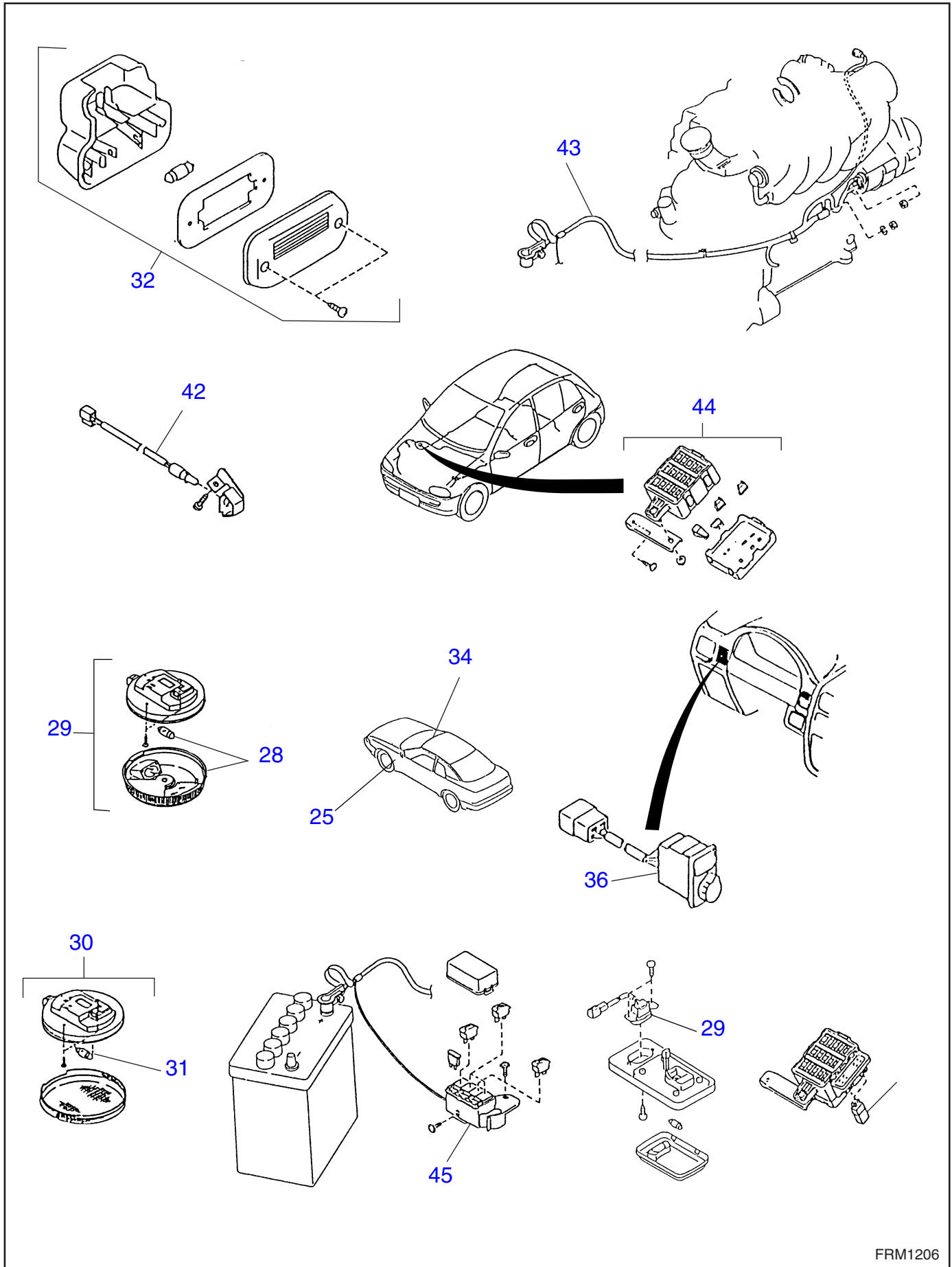
No.	Work No.	Vehicle Information	Work Description	TIME (HOURS)			
				J Series	VIVIO	E12	MV
1	SB0001R		Front seat belt outer	0.7	0.3	0.2	0.3
2	SB0002R		Front seat belt inner	0.2	0.2	0.2	0.2
4	SB0004R		Rear seat belt outer	0.2	0.3	-	-
5	SB0005R		Rear seat belt inner	0.8	0.8	0.8	-
6	SB0006R		Rear seat belt center	0.6	0.6	0.6	-
7	SB0007R		Belt timer Assy	0.3	-	-	-
8*	SB0008R		Third seat belt	-	-	0.2	-
	SB0999Z		Other	**	**	**	**

LI

LIGHTING SYSTEM







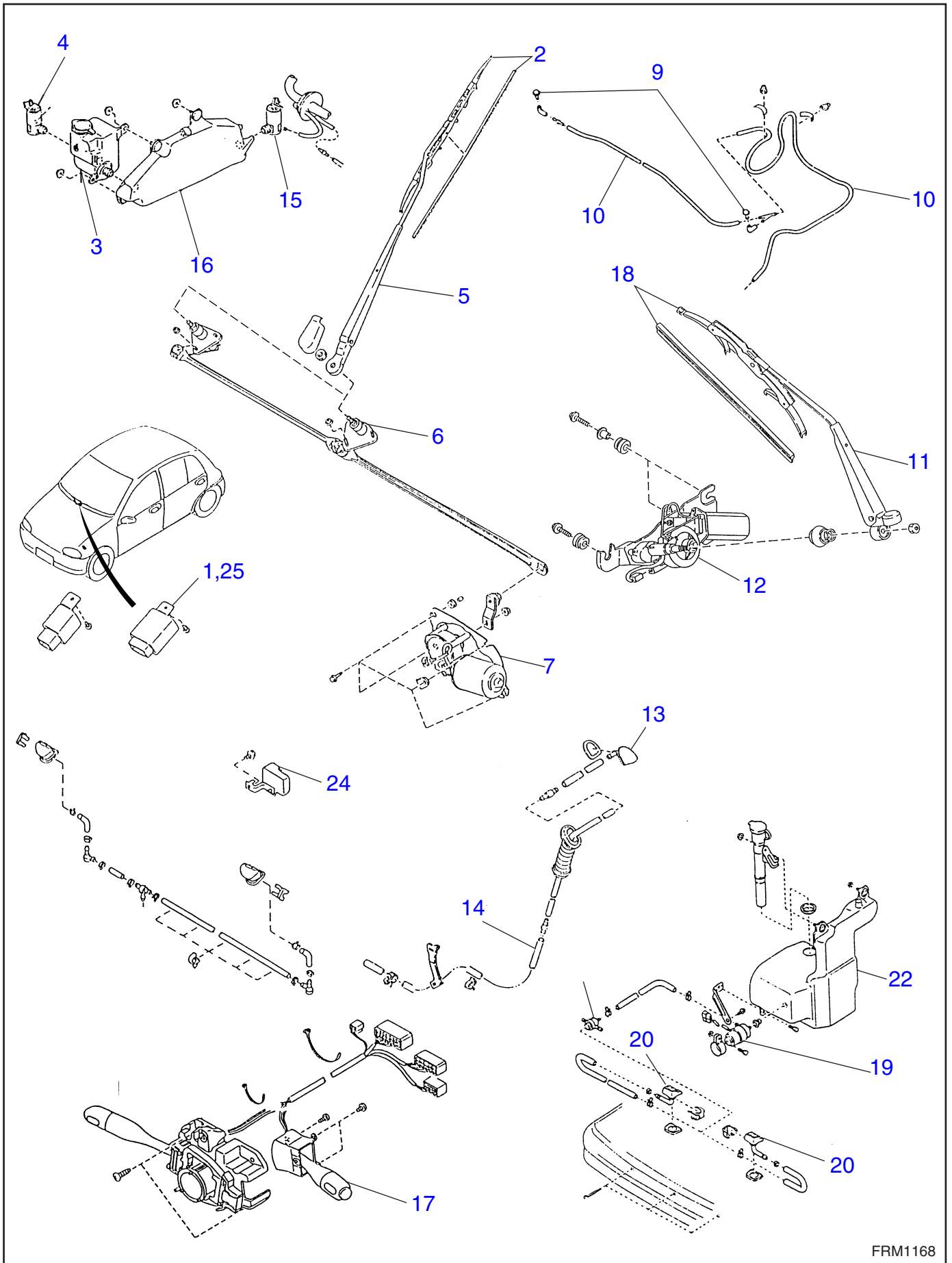
LI

No.	Work No.	Vehicle Information	Work Description	TIME (HOURS)			
				J Series	VIVIO	E12	MV
1	LI0001R		Lighting switch Assy	0.2	0.5	0.3	0.3
2	LI0002R		Head light Assy	0.2	0.5	0.4	0.2
3	LI0003R		Head light or halogen light bulb	0.2	0.2	0.2	0.2
6	LI0006R		Front turn signal light bulb	0.2	0.2	0.2	0.2
7	LI0007R		Turn signal and hazard unit	0.3	0.2	0.3	0.2
8	LI0008R		Hazard switch	0.4	0.5	0.2	0.4
9	LI0009R		Clearance light bulb	0.2	0.1	0.2	0.2
14	LI0014R		Rear combination light Assy	0.2	0.2	0.2	0.2
16	LI0016R		Rear combination light bulb	0.2	0.2	0.2	0.2
18	LI0018R		Rear back-up light bulb	0.1	0.1	0.1	0.1
19	LI0019R		Rear turn signal light bulb	0.1	0.1	0.1	0.1
20	LI0020R		Rear fog light bulb	0.1	0.1	0.1	0.1
21	LI0021R		Rear fog light switch	0.1	0.1	0.2	0.1
23	LI0023R		License plate light Assy	0.1	0.1	0.1	0.1
24	LI0024R		License plate light bulb	0.1	0.1	0.1	0.1
25	LI0025R		Side turn signal light Assy	0.2	0.2	0.2	0.2
26	LI0026R		High mount stop light Assy	0.3	0.3	-	-
28	LI0028R		Spot light lens or spot light bulb	-	-	-	0.1
29	LI0029R		Spot light & sun roof switch Assy (or spot light switch Assy)	-	-	0.2	0.1
30	LI0030R		Room light Assy (or room light lens)	0.1	0.1	0.1	0.1
31	LI0031R		Room light bulb	0.1	0.1	0.1	0.1
32	LI0032R		Luggage room light Assy (or luggage room light lens)	0.1	0.1	0.1	0.1
34	LI0034R		Glove box light bulb	-	-	-	0.1
36	LI0036R		Head light leveling switch	-	-	0.2	-
40*	LI0040R		Illumination control unit	0.2	-	-	-
42	LI0042R		Ashtray illumination light Assy	-	-	-	0.1
43	LI0043R		Battery cable	0.2	0.2	0.3	0.2
44	LI0044R		Fuse & joint box	0.3	0.2	0.4	0.3
45	LI0045R		Main fuse box	0.3	0.2	0.3	0.3
46*	LI0046R		Dim-Dip lighting system relays	-	0.2	-	-
	LI0999Z		Other	**	**	**	**

WW

WIPER AND WASHER SYSTEMS



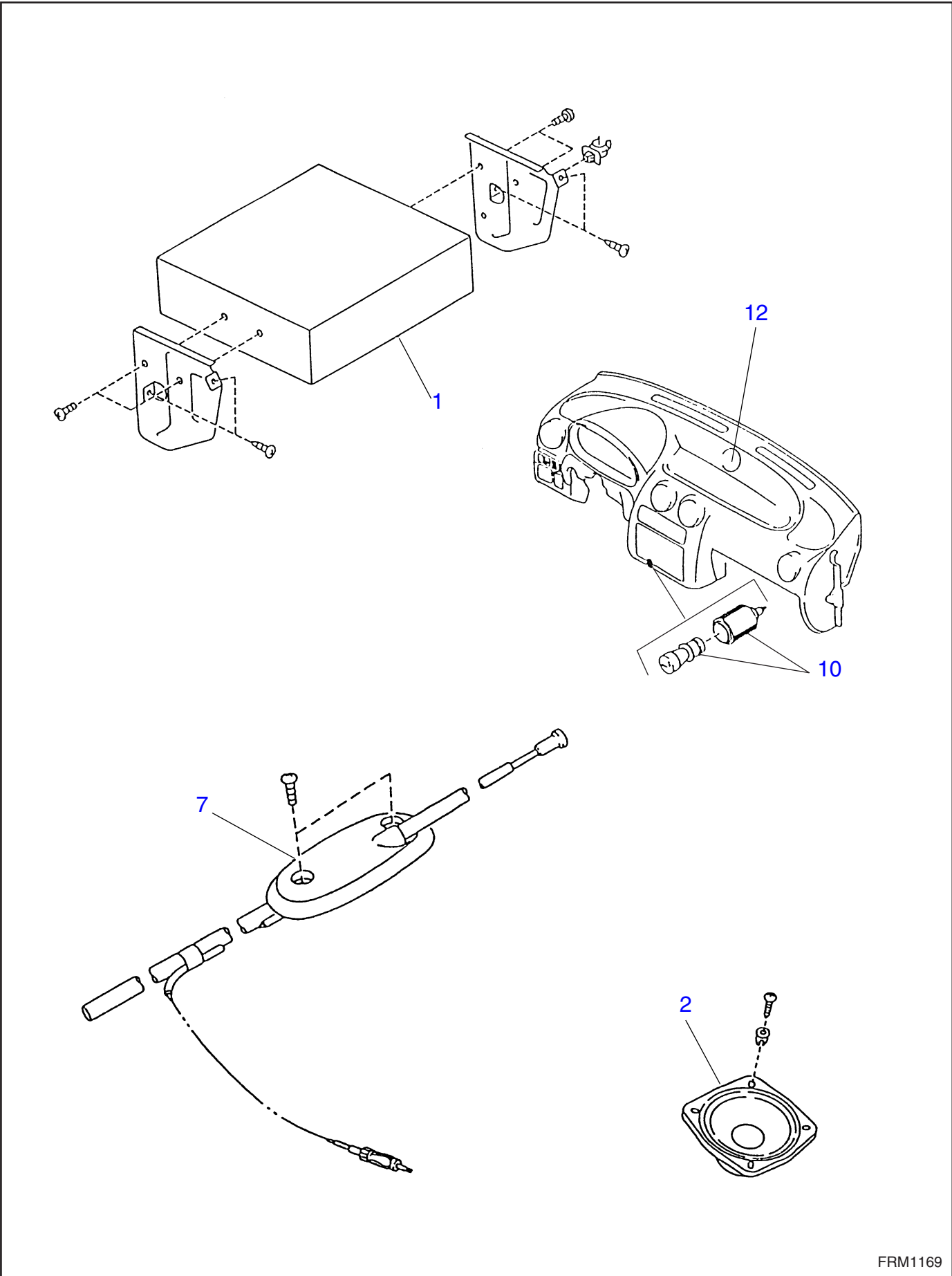


No.	Work No.	Vehicle Information	Work Description	TIME (HOURS)			
				J Series	VIVIO	E12	MV
1	WW0001R		Front wiper intermittent unit Assy	0.3	0.2	0.3	0.2
2	WW0002R		Front wiper blade / Front wiper rubber	0.1	0.1	0.1	0.1
3	WW0003R		Front washer tank	0.2	0.8	0.4	0.7
4	WW0004R		Front washer motor	0.2	0.8	0.5	0.2
5	WW0005R		Front wiper arm	0.1	0.1	0.1	0.1
6	WW0006R		Front wiper link	0.3	0.4	0.6	0.3
7	WW0007R		Front wiper motor	0.3	0.2	0.3	0.2
9	WW0009R		Front washer nozzle	0.2	0.2	0.3	0.2
10	WW0010R		Front washer hose	0.2	0.2	0.3	0.2
11	WW0011R		Rear wiper arm	0.1	0.1	0.1	-
12	WW0012R		Rear wiper motor	0.2	0.2	0.4	-
13	WW0013R		Rear washer nozzle	0.1	0.1	0.2	-
14	WW0014R		Rear washer hose	1.5	0.6	0.2	-
15	WW0015R		Rear washer motor	0.2	0.6	0.4	-
16	WW0016R		Rear washer tank	-	0.8	0.3	-
17	WW0017R		Wiper & washer switch	0.2	0.4	0.6	-
18	WW0018R		Rear wiper blade / Rear wiper rubber	0.1	0.1	0.1	-
19	WW0019R		Head light washer motor	0.2	-	0.5	0.7
20	WW0020R		Head light washer nozzle	0.2	-	0.4	0.4
21*	WW0021R		Head light washer check valve	0.2	-	0.2	0.2
22	WW0022R		Head light washer tank	0.2	-	-	-
24	WW0024R		Head light washer timer	0.2	-	0.3	0.2
25	WW0025R		Rear wiper intermittent Assy	0.3	0.2	-	-
	WW0999Z		Other	**	**	**	**

ET

ENTERTAINMENT





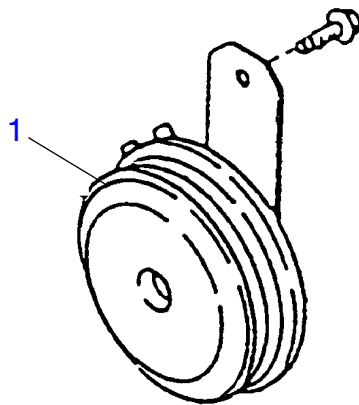
ET

No.	Work No.	Vehicle Information	Work Description	TIME (HOURS)			
				J Series	VIVIO	E12	MV
1	ET0001R		Radio Assy	0.2	-	0.5	0.2
2	ET0002R		Front speaker / One side	0.3	0.2	0.2	-
7	ET0007R		Radio antenna Assy manual	0.5	0.3	0.5	0.9
10	ET0010R		Cigarette lighter Assy	0.2	0.2	0.3	0.3
12	ET0012R		Clock Assy	0.3	0.3	0.3	0.3
	ET0999Z		Other	**	**	**	**

COM

COMMUNICATION SYSTEM





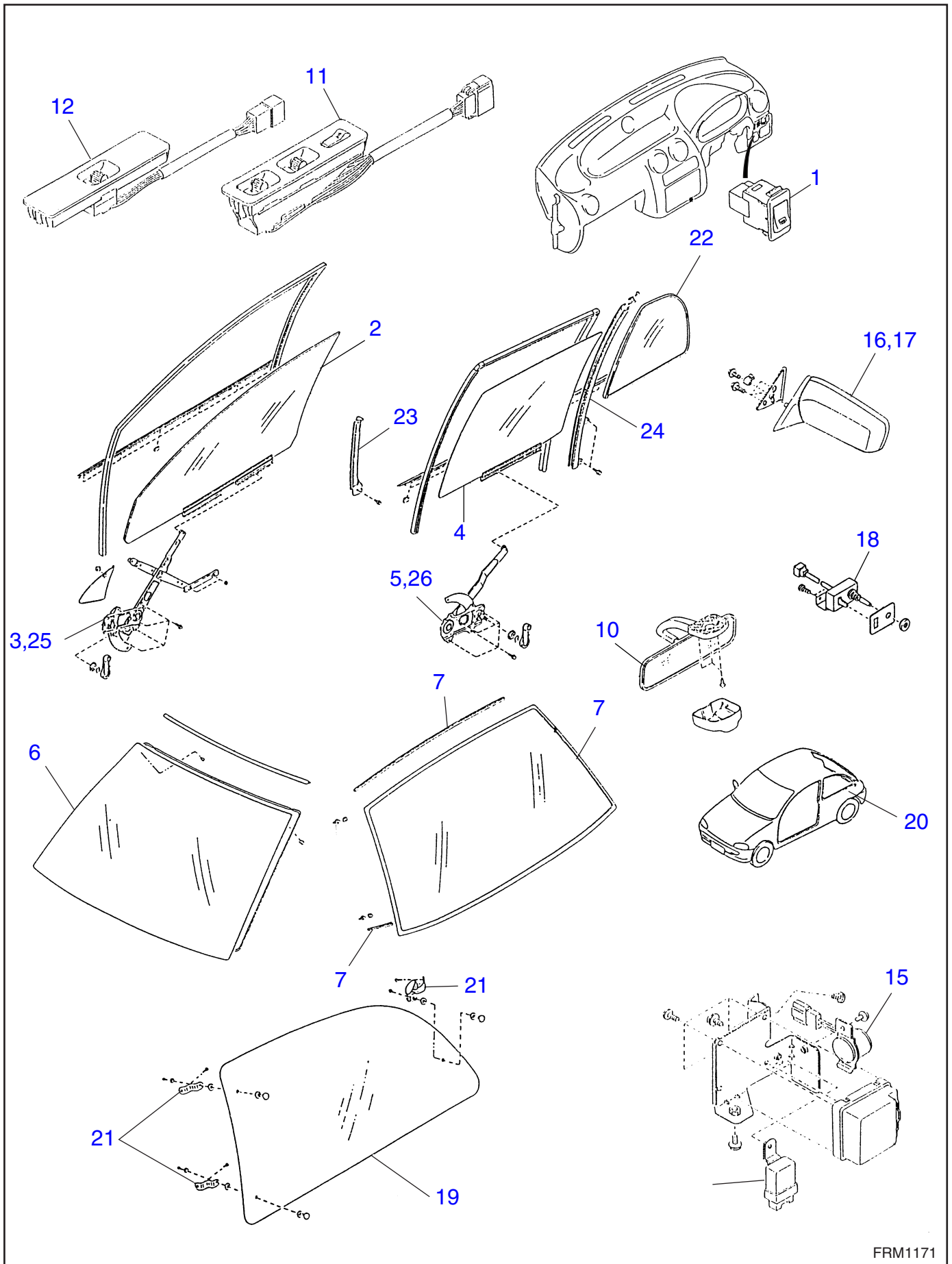
COM

No.	Work No.	Vehicle Information	Work Description	TIME (HOURS)			
				J Series	VIVIO	E12	MV
1	COM001R		Horn Assy	0.2	0.2	0.3	0.2
	COM999Z		Other	**	**	**	**

GW

GLASS / WINDOWS / MIRRORS





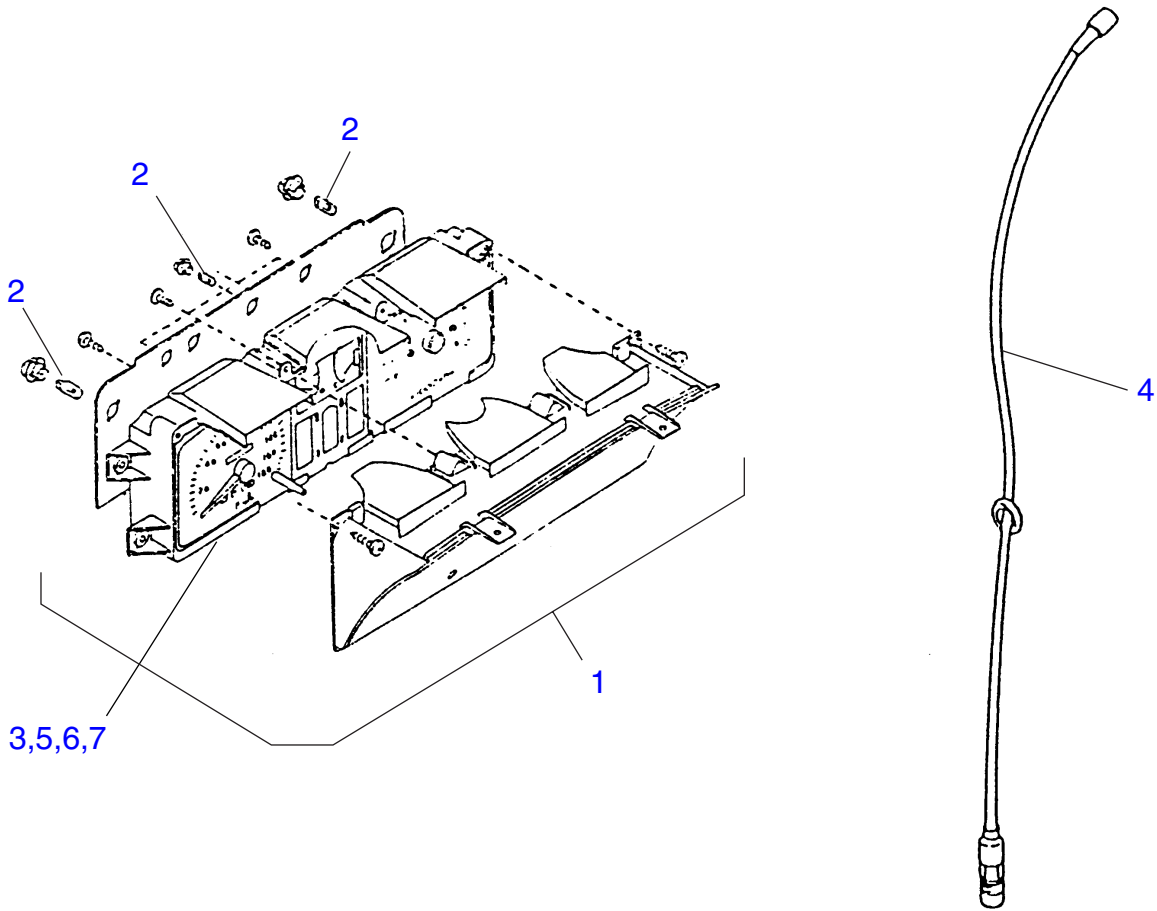
GW

No.	Work No.	Vehicle Information	Work Description	TIME (HOURS)			
				J Series	VIVIO	E12	MV
1	GW0001R		Rear window defogger switch	0.1	0.1	0.2	-
2	GW0002A		Front door glass Assy	0.2	0.2	0.2	0.3
	GW0002R		Front door glass Assy	0.5	0.3	0.3	0.4
3	GW0003R		Front door regulator and motor Assy	0.6	0.5	-	0.5
4	GW0004A		Rear door glass Assy	0.2	0.2	0.2	-
	GW0004R		Rear door glass Assy	0.5	0.2	0.3	-
5	GW0005R		Rear door regulator and motor Assy	0.6	0.5	-	0.5
6	GW0006R		Front windshield	0.5	1.4	0.4	0.9
7	GW0007R		Rear gate glass and molding	2.0	1.4	0.2	0.4
10	GW0010R		Room mirror	0.1	0.1	0.1	0.1
11	GW0011R		Power window main switch	0.4	-	-	-
12	GW0012R		Front power window sub switch	0.3	-	-	-
14*	GW0014R		Power window relay	0.4	-	-	-
15	GW0015R		Power window breaker	0.4	-	-	-
16	GW0016R		Outer mirror Assy / Manual	0.1	0.1	0.2	0.1
17	GW0017R		Outer mirror Assy / Electrical	0.2	-	-	0.2
18	GW0018R		Remote controlled rear view mirror switch	-	-	-	0.2
19	GW0019R		Side window glass / Openable type	0.3	0.1	-	-
20	GW0020R		Side window weatherstrip / Openable	0.3	0.4	-	-
21	GW0021R		Side window lock and hinge / Openable	0.2	0.2	-	-
22	GW0022R		Rear door partition glass	0.5	0.2	-	-
23	GW0023R		Door sash / Front	-	0.4	0.4	0.4
24	GW0024R		Door sash / Rear	0.4	0.4	0.3	-
25	GW0025R		Door regulator Assy / Front	-	-	0.4	-
26	GW0026R		Door regulator Assy / Rear	-	-	0.4	-
	GW0999Z		Other	**	**	**	**

IDI

INSTRUMENTATION / DRIVER INFO





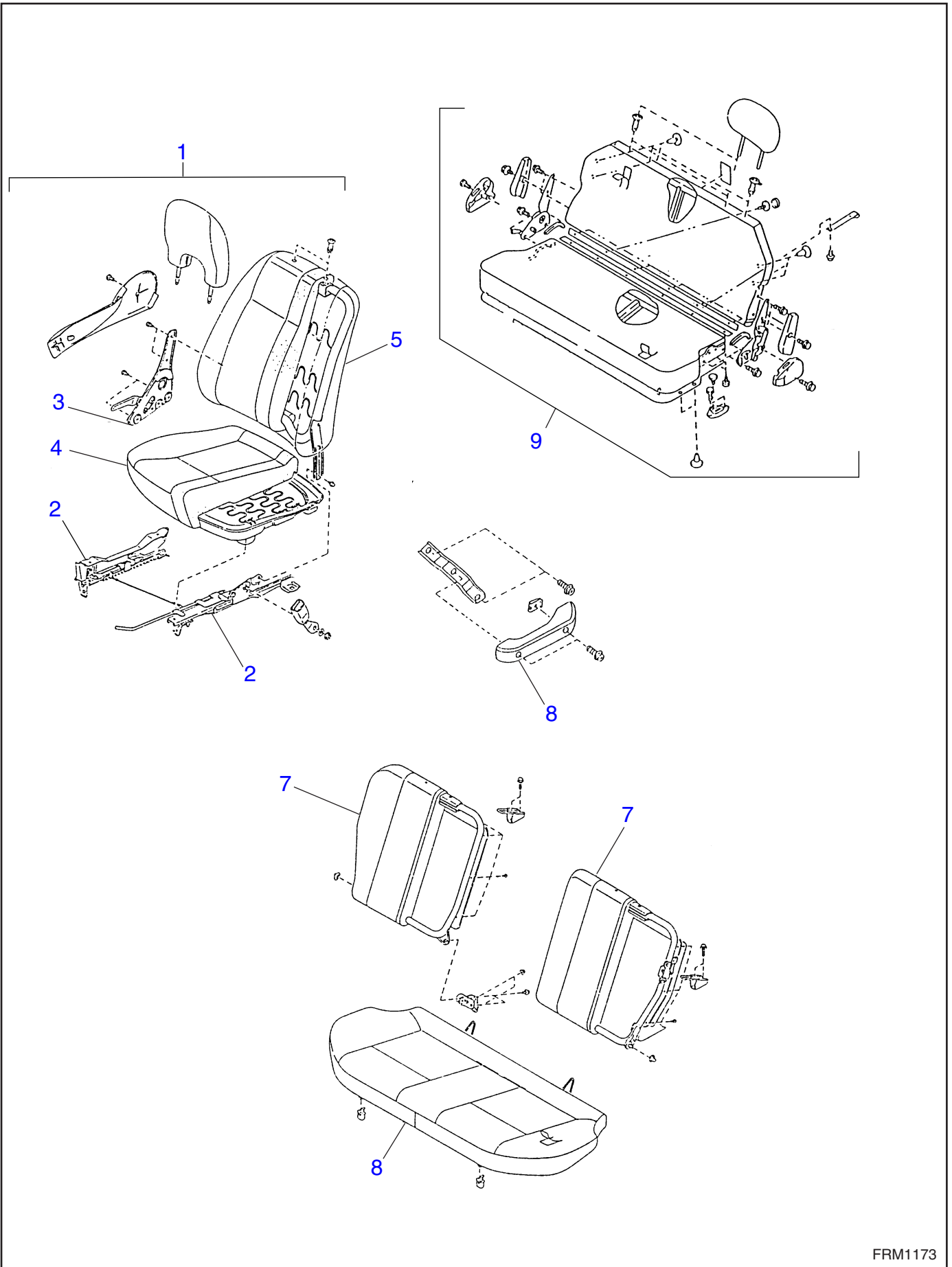
IDI

No.	Work No.	Vehicle Information	Work Description	TIME (HOURS)			
				J Series	VIVIO	E12	MV
1	IDI001R		Combination meter Assy	0.4	0.4	0.4	0.4
2	IDI002R		Combination meter illumination light bulb	0.5	0.5	0.5	0.5
3	IDI003R		Speedometer	0.6	0.6	0.6	0.6
4	IDI004R		Speedometer cable Assy	0.3	0.3	0.3	0.2
5	IDI005R		Tachometer	0.6	-	-	-
6	IDI006R		Temperature and / or fuel gauge (meter)	0.6	0.6	0.6	0.6
7	IDI007R		Water temperature gauge	0.6	0.6	0.6	0.6
	IDI999Z		Other	**	**	**	**

SE

SEATS





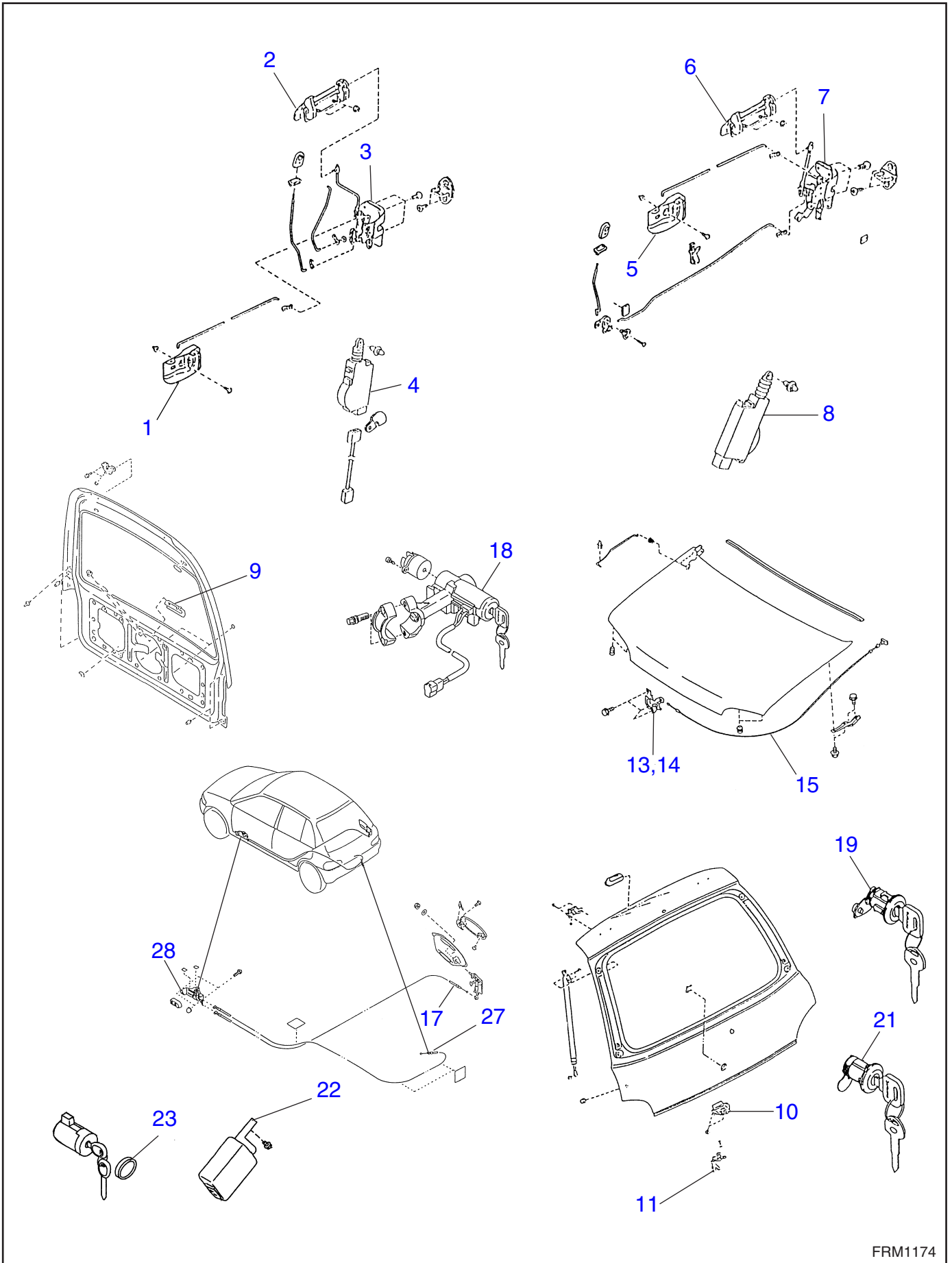
SE

No.	Work No.	Vehicle Information	Work Description	TIME (HOURS)			
				J Series	VIVIO	E12	MV
1	SE0001R		Front seat Assy	0.2	0.2	0.2	0.2
2	SE0002R		Front seat rail	0.2	0.2	0.3	0.2
3	SE0003R		Front seat hinge	0.2	0.2	0.3	0.4
4	SE0004R		Front seat cushion Assy	0.2	0.2	0.3	0.2
5	SE0005R		Front seat backrest Assy	0.2	0.2	0.3	0.2
6	SE0006R		Rear seat cushion Assy	0.1	0.1	0.1	0.1
7	SE0007R		Rear seat backrest Assy	0.2	0.2	0.2	0.2
8	SE0008R		Arm rest	0.1	-	-	0.1
9	SE0009R		Third seat Assy	-	-	0.2	-
	SE0999Z		Other	**	**	**	**

SL

SECURITY AND LOCKS





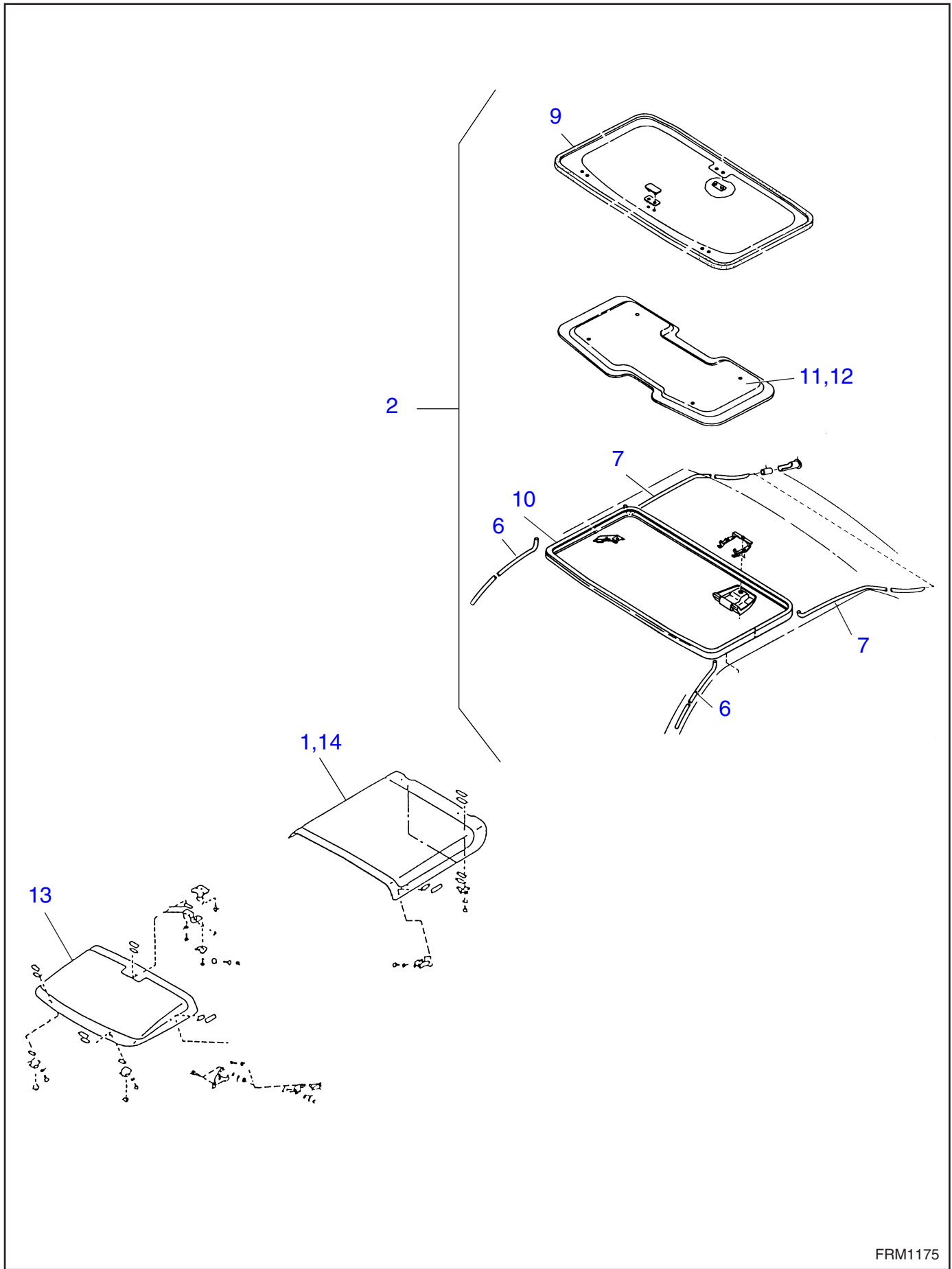
FRM1174

SL

No.	Work No.	Vehicle Information	Work Description	TIME (HOURS)			
				J Series	VIVIO	E12	MV
1	SL0001R		Door inner remote Assy / Front	0.3	0.2	0.2	0.2
2	SL0002R		Door outer handle Assy / Front	0.3	0.4	0.3	0.3
3	SL0003R		Door latch Assy and / or actuator / Front	0.3	0.5	0.2	0.3
4	SL0004R		Auto door lock actuator switch / Front	0.5	-	-	-
5	SL0005R		Door inner remote Assy / Rear	0.3	0.2	0.2	-
6	SL0006R		Door outer handle Assy / Rear	-	-	0.3	-
7	SL0007R		Door latch Assy and / or actuator / Rear	0.3	0.2	0.2	-
8	SL0008R		Auto door lock actuator switch / Rear	0.4	-	-	-
9	SL0009R		Rear gate outer handle	0.2	-	0.2	0.2
10	SL0010R		Rear gate latch Assy	0.2	0.2	0.2	0.2
11	SL0011R		Rear gate lock Assy	0.2	0.2	0.2	0.2
13	SL0013R		Front hood lock Assy	0.1	0.1	-	0.1
14	SL0014A		Front hood lock Assy adjustment	0.2	0.2	0.2	0.2
15	SL0015R		Front hood release cable	0.4	0.8	-	0.3
17	SL0017R		Fuel flap cable	-	0.4	-	-
18	SL0018R		Ignition switch (with steering lock Assy)	0.3	0.3	0.6	0.7
19	SL0019R		Door key lock Assy	0.3	0.2	0.2	0.2
21	SL0021R		Rear gate key cylinder built in rear gate latch	0.2	0.2	0.2	-
22	SL0022R		Immobilizer control module	-	0.2	-	-
23	SL0023R		Immobilizer antenna	-	0.3	-	-
27	SL0027R		Rear gate opener cable	0.6	0.4	-	-
28	SL0028R		Rear gate opener lever	0.1	0.1	-	-
	SL0999Z		Other	**	**	**	**

SR

**SUNROOF / T-TOP /
CONVERTIBLE TOP (SUNROOF)**



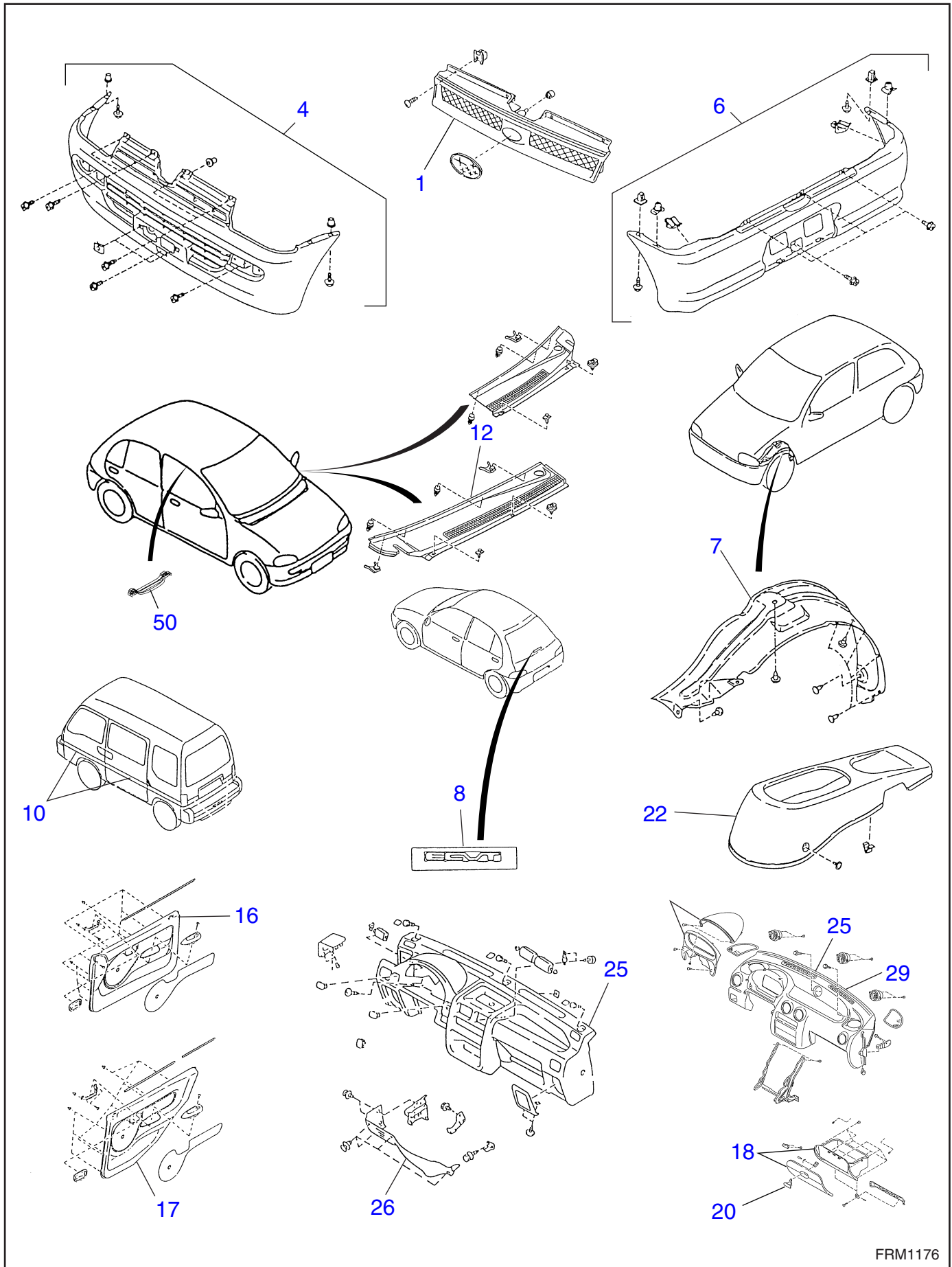
SR

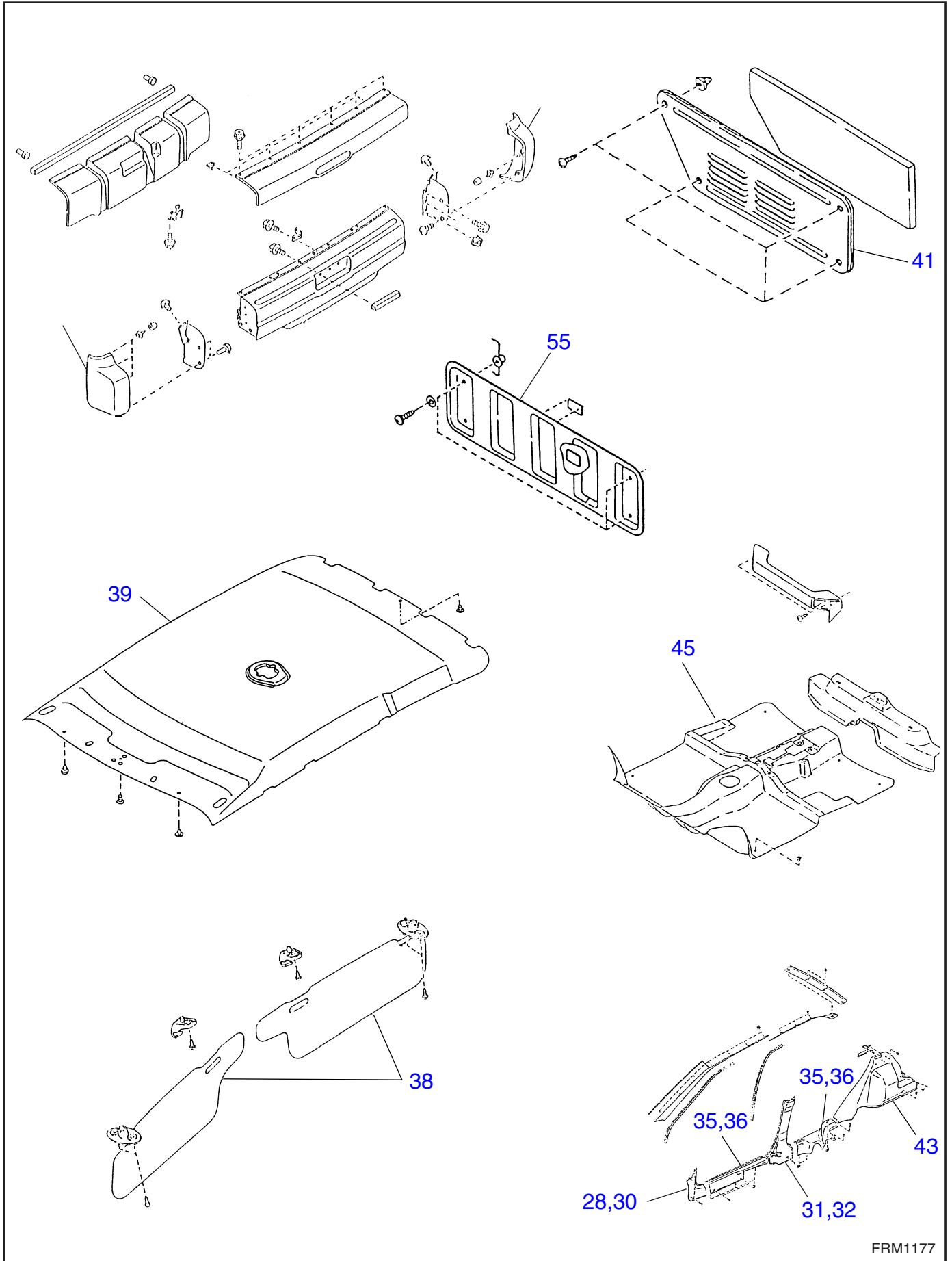
No.	Work No.	Vehicle Information	Work Description	TIME (HOURS)			
				J Series	VIVIO	E12	MV
1	SR0001R		Sunroof lid Assy	0.2	-	1.7	0.2
2	SR0002R	WGN	Sunroof Assy	0.2	-	2.5	0.2
6	SR0006R		Front drain hose	1.3	-	1.8	-
7	SR0007R		Rear drain hose	1.6	-	2.0	-
9	SR0009R		Sunroof trim	0.2	-	0.6	-
10	SR0010R		Retainer and molding	1.0	-	1.3	-
11	SR0011R		Sunroof garnish	0.2	-	0.2	-
12	SR0012R	WGN	Sun shade	0.1	-	-	-
13	SR0013R		Front sunroof lid	-	-	1.0	-
14	SR0014R		Rear sunroof lid	-	-	1.7	-
	SR0999Z		Other	**	**	**	**

EI

EXTERIOR / INTERIOR TRIM







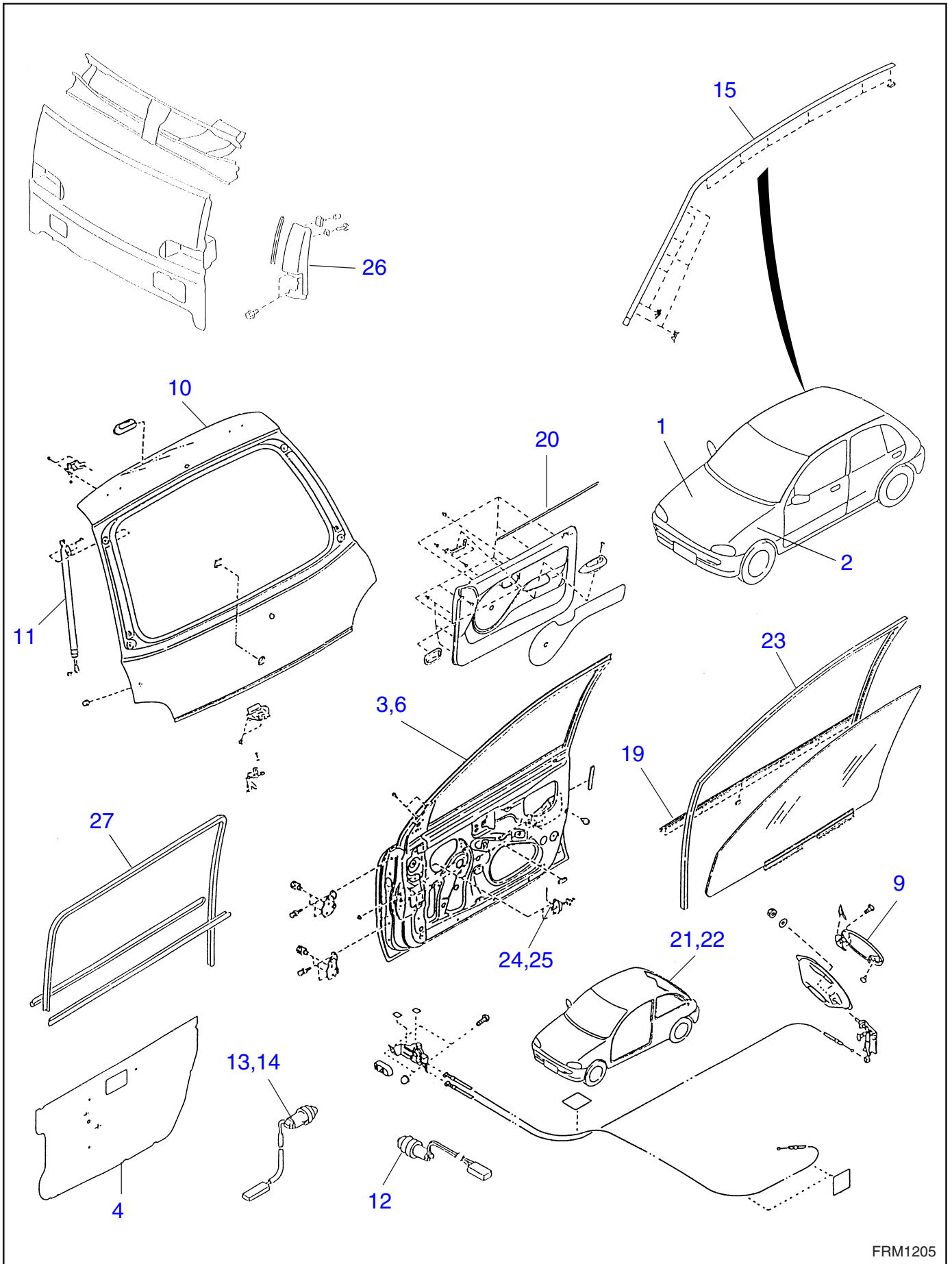
EI

No.	Work No.	Vehicle Information	Work Description	TIME (HOURS)			
				J Series	VIVIO	E12	MV
1	EI0001R		Front grille	0.1	0.1	-	0.1
4	EI0004R		Front bumper face	0.3	0.3	0.5	0.3
6	EI0006R		Rear bumper face	0.2	0.2	0.3	0.3
7	EI0007R		Mud guard	0.2	0.2	0.2	0.3
8	EI0008R		Rear ornament or letter mark	0.1	0.1	0.1	0.1
10	EI0010R		Body side protector / One	0.1	-	0.2	0.1
12	EI0012R		Cowl panel / Both	0.2	0.2	-	0.2
16	EI0016R		Door trim panel / Front door	0.2	0.1	0.2	0.2
17	EI0017R		Door trim panel / Rear door	0.2	0.2	0.2	-
18	EI0018R		Glove box	0.1	0.2	0.1	0.1
20	EI0020R		Key lock Assy	0.1	-	-	0.1
22	EI0022R		Console box / Front (Right)	-	0.2	0.2	-
25	EI0025R		Instrument panel Assy	1.4	0.5	0.8	2.5
26	EI0026R		Lower cover panel / Driver	-	-	0.1	-
27*	EI0027R		Meter visor	0.3	0.3	0.1	0.5
28	EI0028R		Front pillar trim panel / Upper	-	0.1	0.1	0.2
29	EI0029R		Instrument panel defroster grille	-	-	-	0.2
30	EI0030R		Front pillar trim panel / Lower	-	0.1	-	0.2
31	EI0031R		Center pillar trim panel / Upper	-	0.2	0.2	-
32	EI0032R		Center pillar trim panel / Lower	-	0.1	0.2	-
35	EI0035R		Side sill cover / Front	0.1	0.1	-	0.3
36	EI0036R		Side sill cover / Rear	0.1	0.1	-	0.3
38	EI0038R		Sun visor	0.1	0.1	0.1	0.1
39	EI0039R	SDN	Roof trim	2.0	0.6	1.7	0.8
	EI0039R	WGN	Roof trim	2.0	0.6	1.7	0.8
41	EI0041R		Rear gate trim panel	0.1	0.1	0.1	-
43	EI0043R		Trunk side rear trim panel	0.5	0.3	0.1	-
45	EI0045R		Floor mat	1.2	0.6	0.4	0.4
50	EI0050R		Assist rail / One	0.1	0.1	0.1	0.1
51*	EI0051R		Rear bumper side	-	-	0.5	0.1
54	EI0054R		Garnish / cab door	-	-	0.2	-
55	EI0055R		Rear gate cover	-	-	-	0.1
	EI0999Z		Other	**	**	**	**

EB

EXTERIOR BODY PANELS





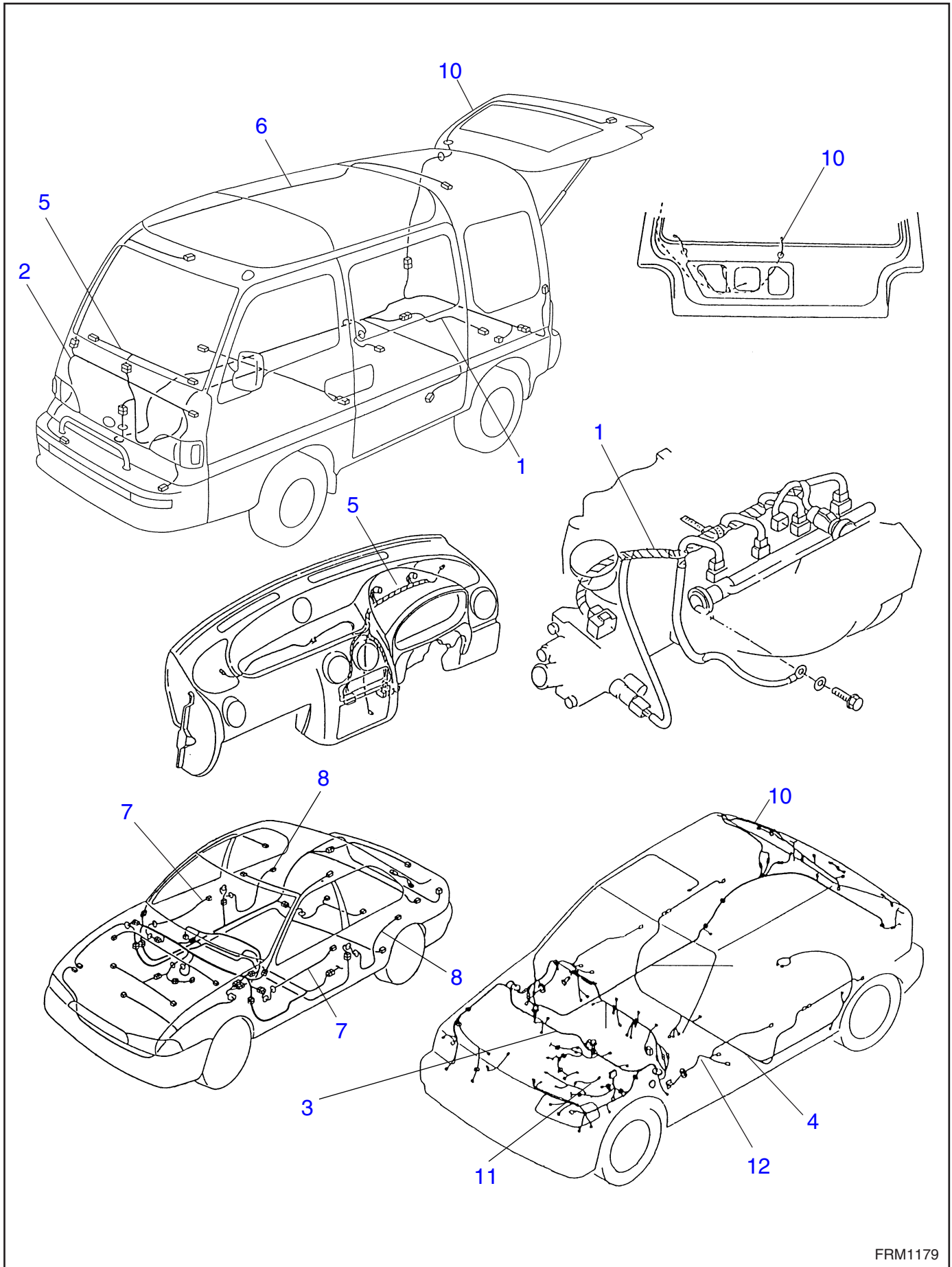
EB

No.	Work No.	Vehicle Information	Work Description	TIME (HOURS)			
				J Series	VIVIO	E12	MV
1	EB0001R		Front hood	0.2	0.2	-	0.3
2	EB0002R		Front fender	0.6	0.5	0.3	0.6
3	EB0003R		Front door panel Assy	1.8	1.8	1.8	2.3
4	EB0004R		Front sealing cover	0.2	0.2	0.2	0.2
6	EB0006R		Rear door panel Assy	1.7	1.7	1.8	-
9	EB0009R		Fuel flap	0.1	0.1	0.1	0.1
10	EB0010R		Rear gate panel Assy	0.5	0.7	0.9	0.3
11	EB0011R		Rear gate stay	0.1	0.2	0.1	0.1
12	EB0012R		Front door switch	0.1	0.1	0.2	0.1
13	EB0013R		Rear door switch	0.1	-	0.2	-
14	EB0014R		Rear gate switch	0.1	-	0.2	-
15	EB0015R		Roof molding	0.1	0.1	-	0.1
19	EB0019R		Weatherstrip / Outer	0.2	0.2	0.2	0.2
20	EB0020R		Weatherstrip / Inner	0.2	0.2	0.2	0.2
21	EB0021R		Weatherstrip / Roof side	0.3	0.2	0.2	0.2
22	EB0022R		Weatherstrip / Rear gate side	0.4	-	0.1	-
23	EB0023R		Run channel	0.3	0.3	0.4	-
24	EB0024R		Door checker / Front	0.3	0.2	0.2	0.3
25	EB0025R		Door checker / Rear	-	0.2	-	-
26	EB0026R		Front side panel	-	-	0.5	-
27	EB0027R		Weatherstrip / Slide door	-	-	0.2	-
	EB0999Z		Other	**	**	**	**

WI

WIRING SYSTEM





WI

No.	Work No.	Vehicle Information	Work Description	TIME (HOURS)			
				J Series	VIVIO	E12	MV
1	WI0001R		Engine wiring harness	0.5	0.2	0.7	0.7
2	WI0002R		Front wiring harness	1.2	0.3	2.0	2.2
3	WI0003R		Bulkhead wiring harness	3.0	3.0	1.0	3.0
4	WI0004R		Rear wiring harness	1.5	1.5	2.0	1.5
5	WI0005R		Instrument panel wiring harness	2.1	0.7	1.1	1.4
6	WI0006R		Roof cord	0.8	0.8	1.0	0.8
7	WI0007R		Front door wiring harness	0.6	0.6	0.6	0.6
8	WI0008R		Rear door wiring harness	0.5	0.5	0.5	0.5
10	WI0010R		Rear gate cord	0.6	0.6	0.5	-
11	WI0011R		Transmission harness AT	0.4	-	-	-
12	WI0012R		Power window main harness	1.0	-	-	-
	WI0999Z		Other	**	**	**	**

ELG

ELECTRICAL LOCATION GRID



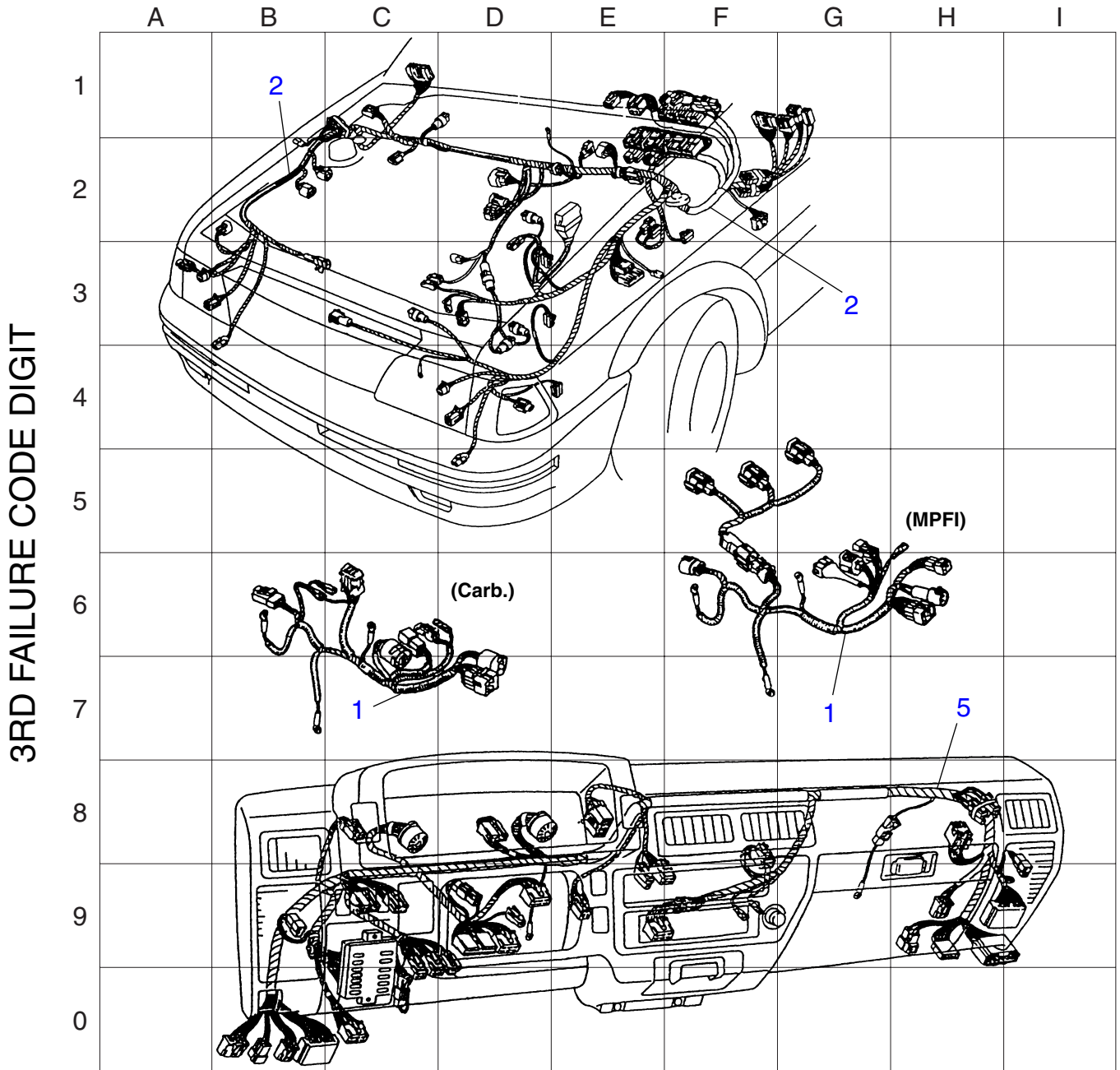
ELG

ELECTRICAL LOCATION GRID 1

J Series

1ST FAILURE CODE DIGIT: "V" (Fixed code)
2ND FAILURE CODE DIGIT: Grid diagram reading
3RD FAILURE CODE DIGIT: Grid diagram reading

2ND FAILURE CODE DIGIT



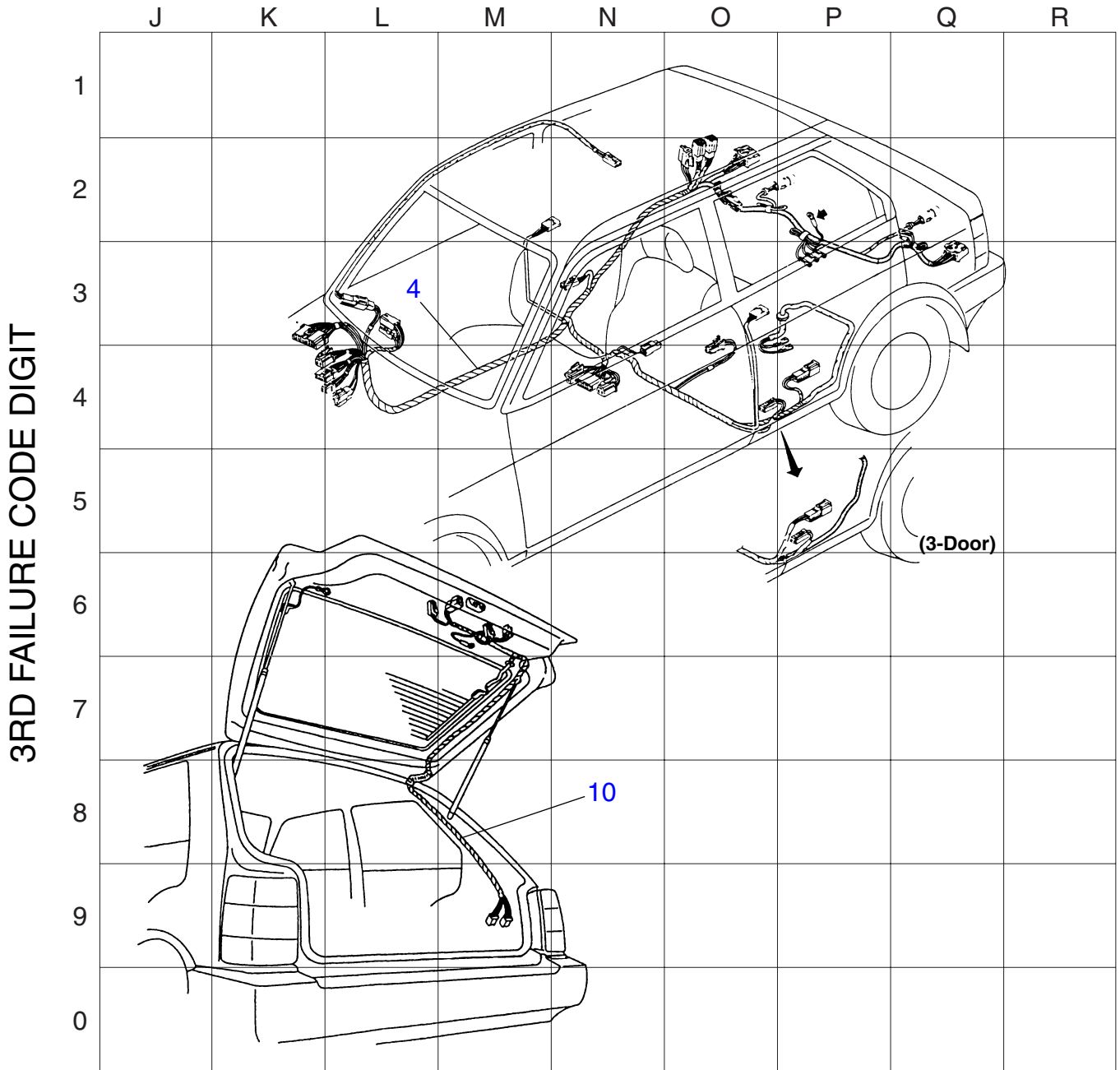
ELG

ELECTRICAL LOCATION GRID 2

J Series

1ST FAILURE CODE DIGIT: "V" (Fixed code)
2ND FAILURE CODE DIGIT: Grid diagram reading
3RD FAILURE CODE DIGIT: Grid diagram reading

2ND FAILURE CODE DIGIT



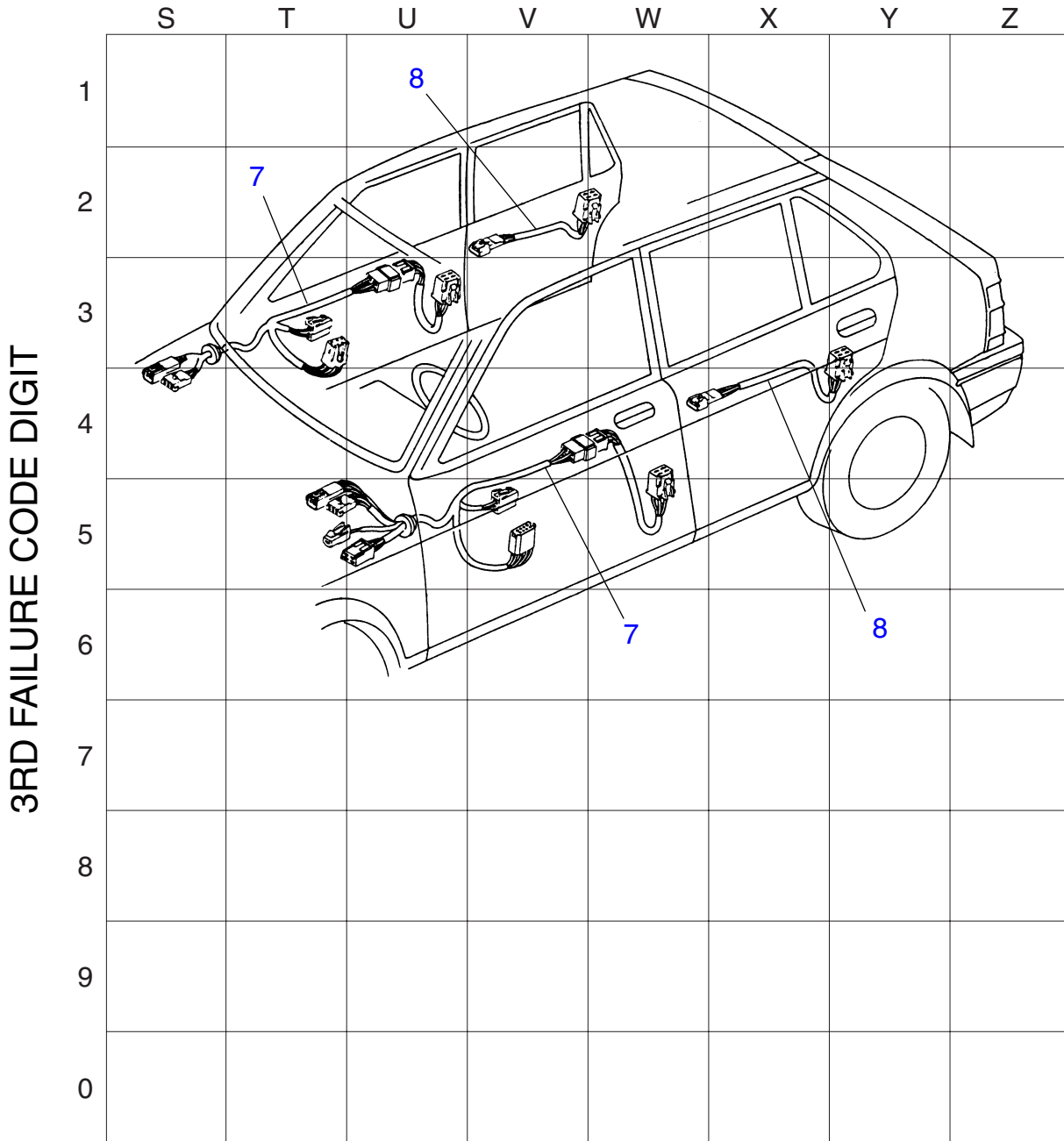
ELG

ELECTRICAL LOCATION GRID 3

J Series

1ST FAILURE CODE DIGIT: "V" (Fixed code)
2ND FAILURE CODE DIGIT: Grid diagram reading
3RD FAILURE CODE DIGIT: Grid diagram reading

2ND FAILURE CODE DIGIT



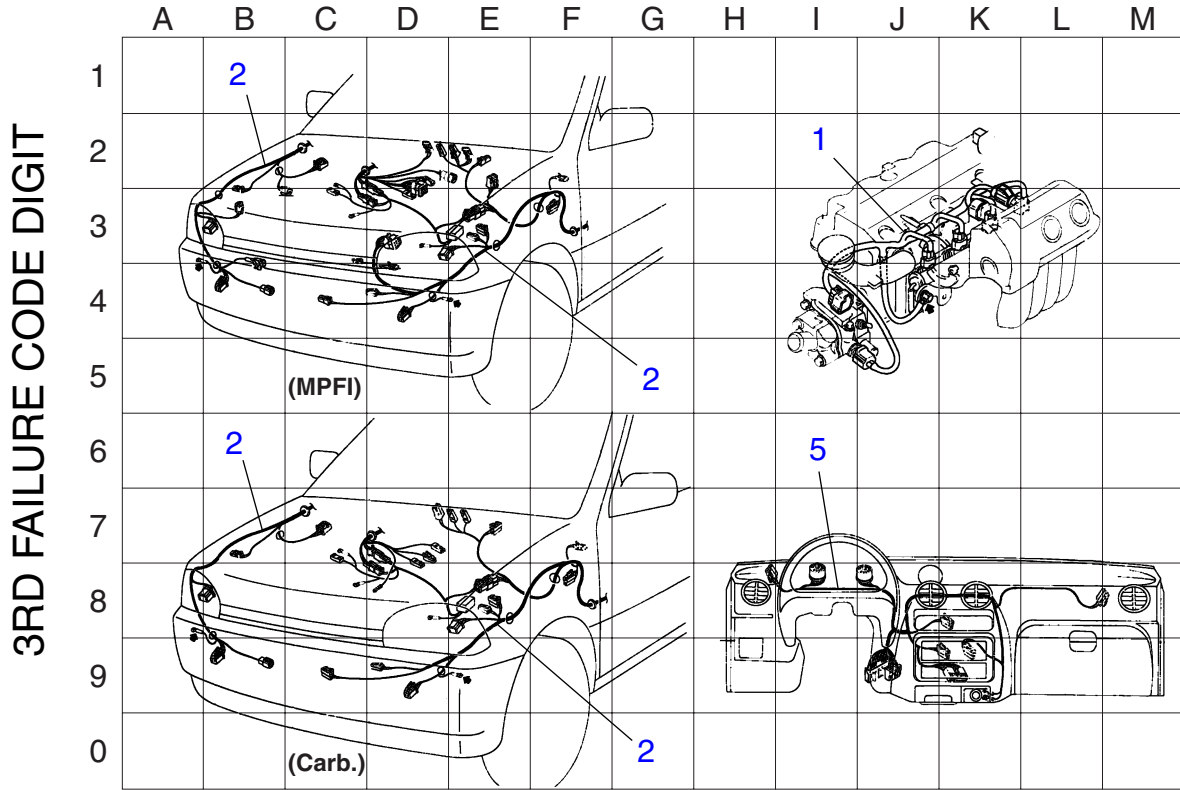
ELG

ELECTRICAL LOCATION GRID 4

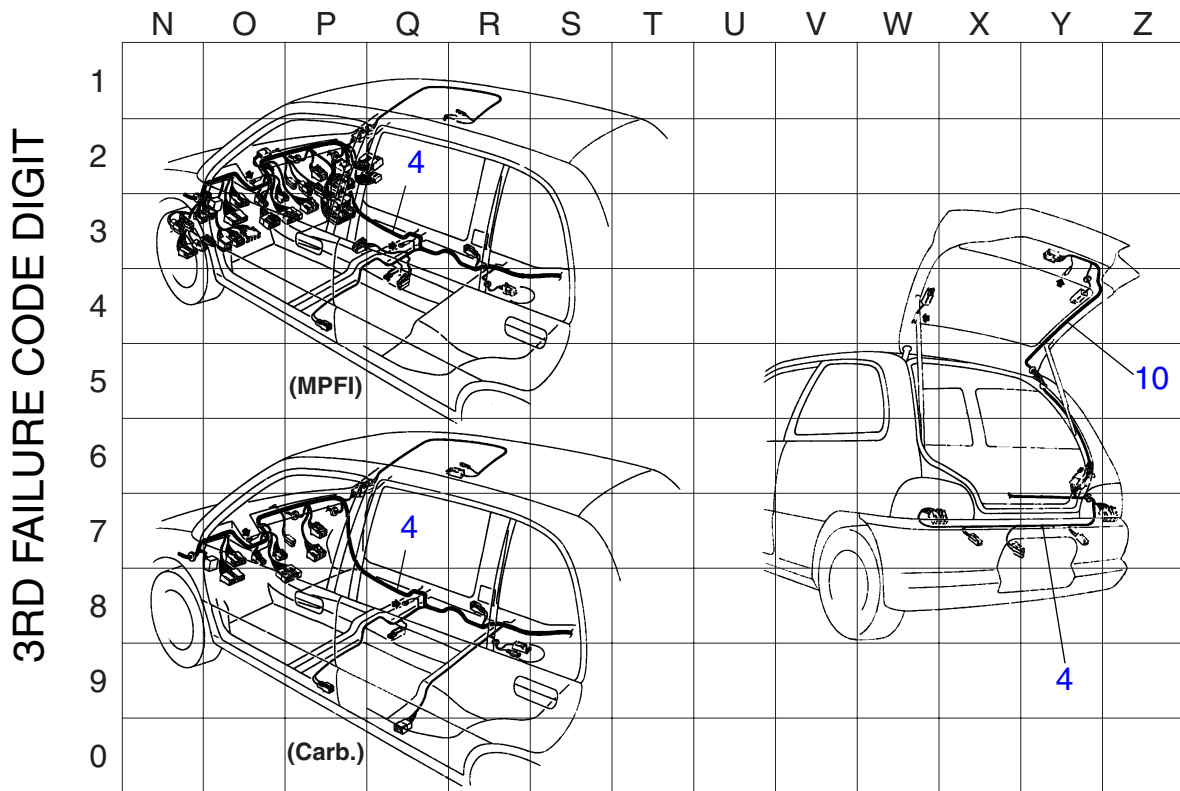
VIVIO (LHD)

1ST FAILURE CODE DIGIT: "V" (Fixed code)
 2ND FAILURE CODE DIGIT: Grid diagram reading
 3RD FAILURE CODE DIGIT: Grid diagram reading

2ND FAILURE CODE DIGIT



FRM1185



FRM1186

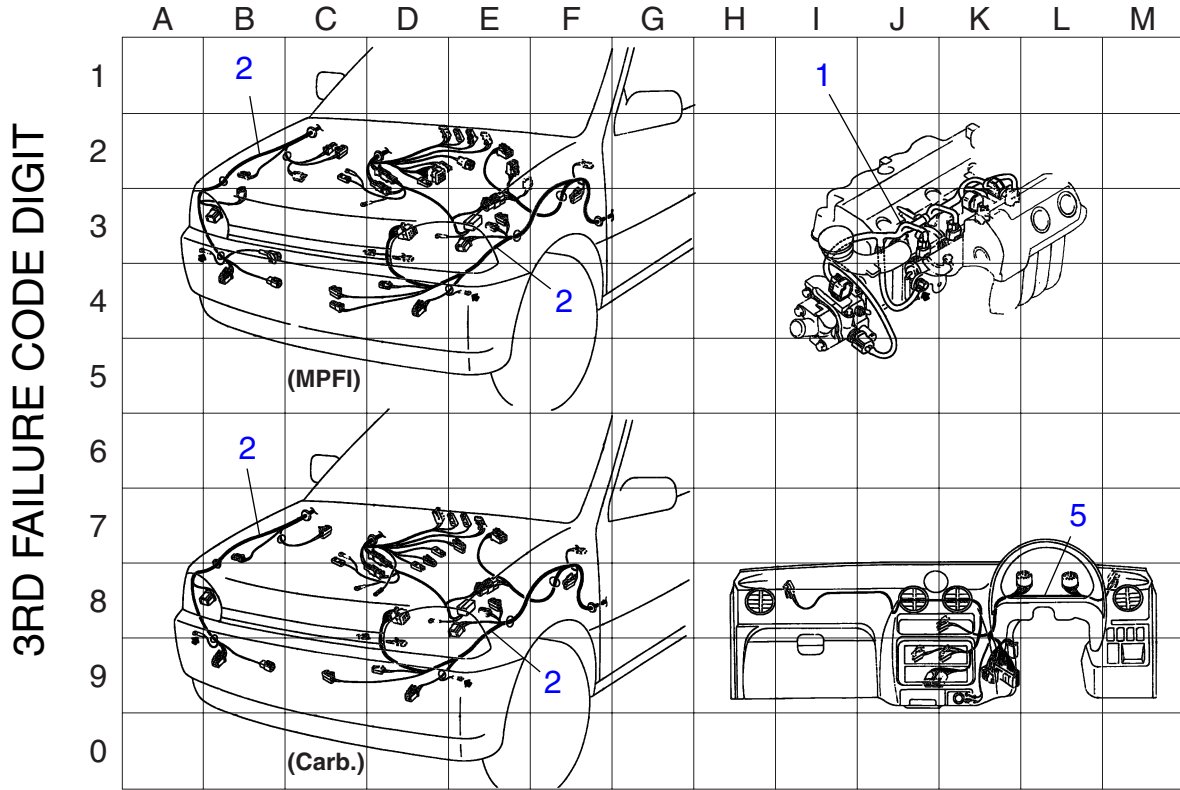
ELG

ELECTRICAL LOCATION GRID 5

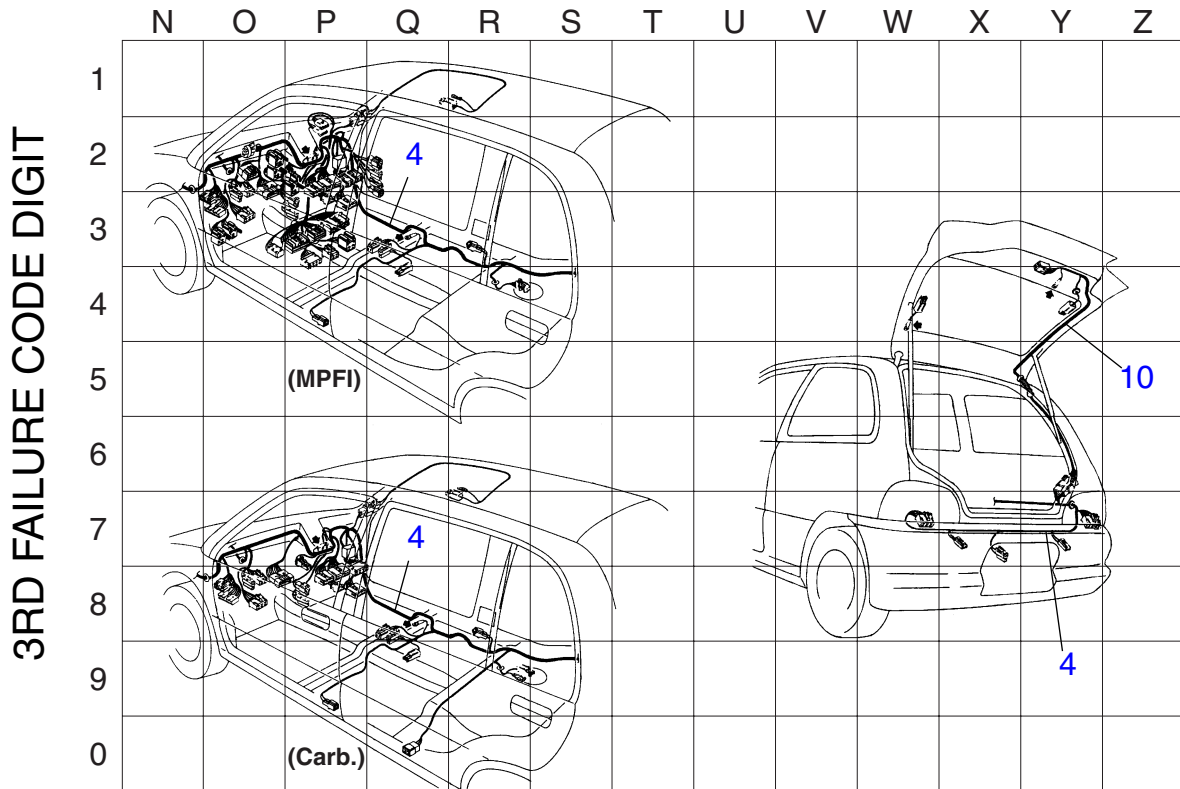
VIVIO (RHD)

1ST FAILURE CODE DIGIT: "V" (Fixed code)
 2ND FAILURE CODE DIGIT: Grid diagram reading
 3RD FAILURE CODE DIGIT: Grid diagram reading

2ND FAILURE CODE DIGIT



FRM1187



FRM1188

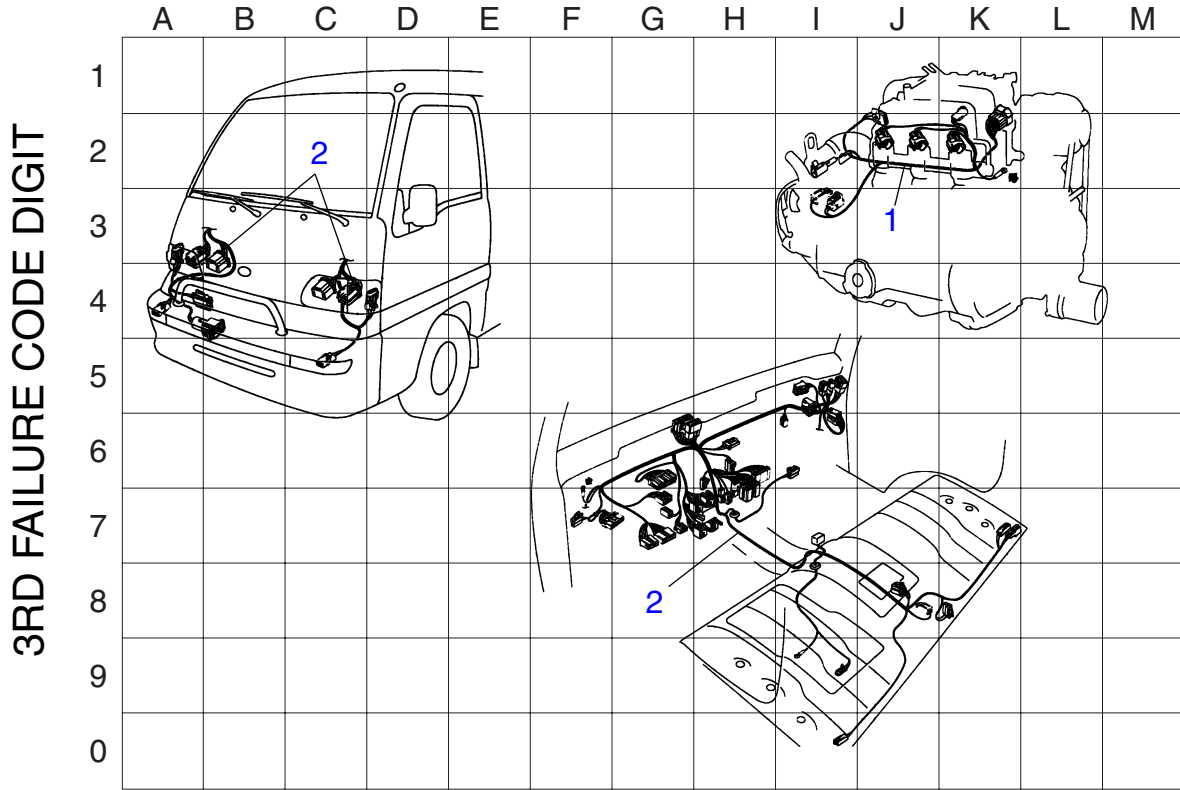
ELG

ELECTRICAL LOCATION GRID 6

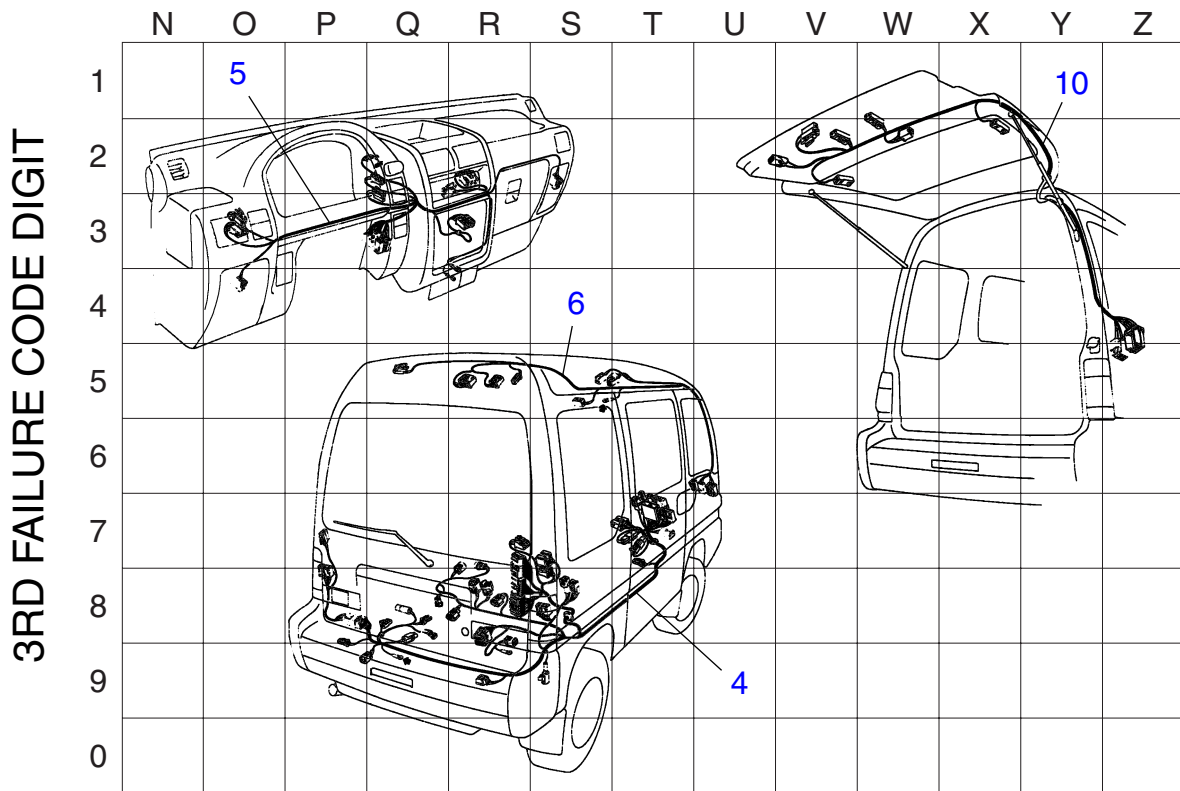
E12

1ST FAILURE CODE DIGIT: "V" (Fixed code)
 2ND FAILURE CODE DIGIT: Grid diagram reading
 3RD FAILURE CODE DIGIT: Grid diagram reading

2ND FAILURE CODE DIGIT



FRM1189



FRM1190

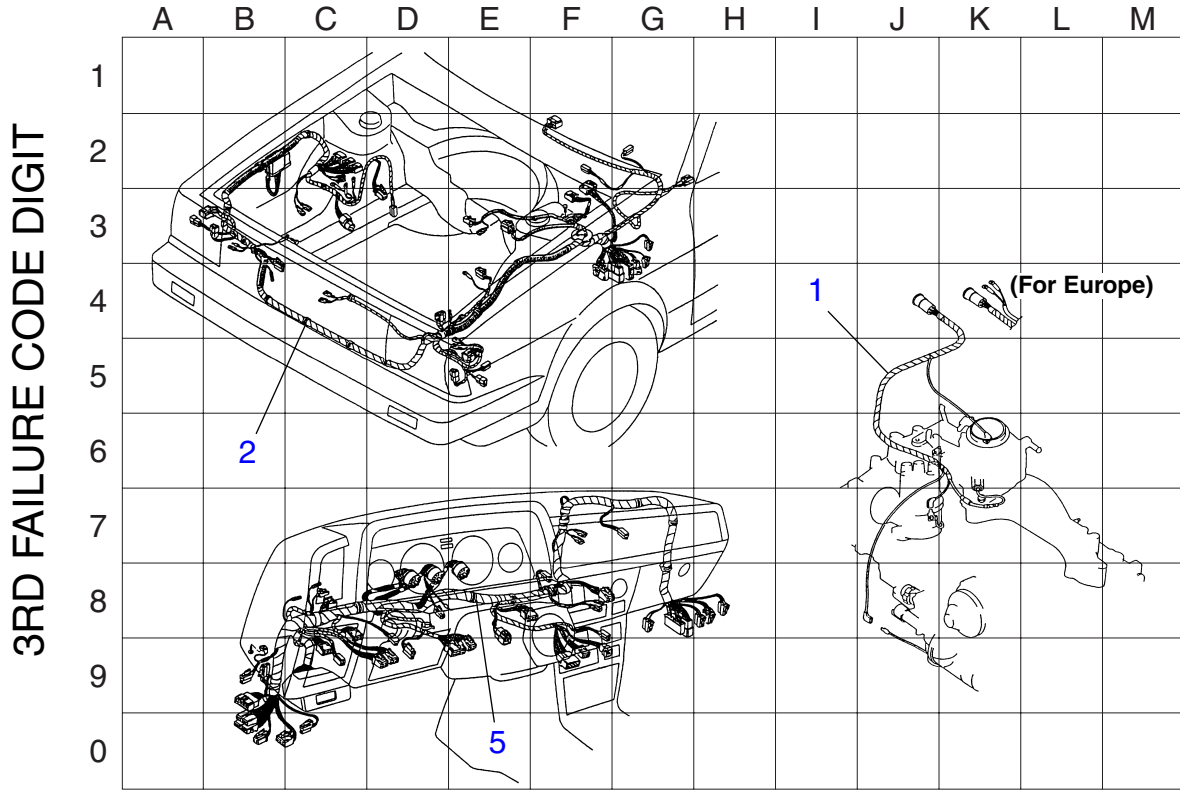
ELG

ELECTRICAL LOCATION GRID 7

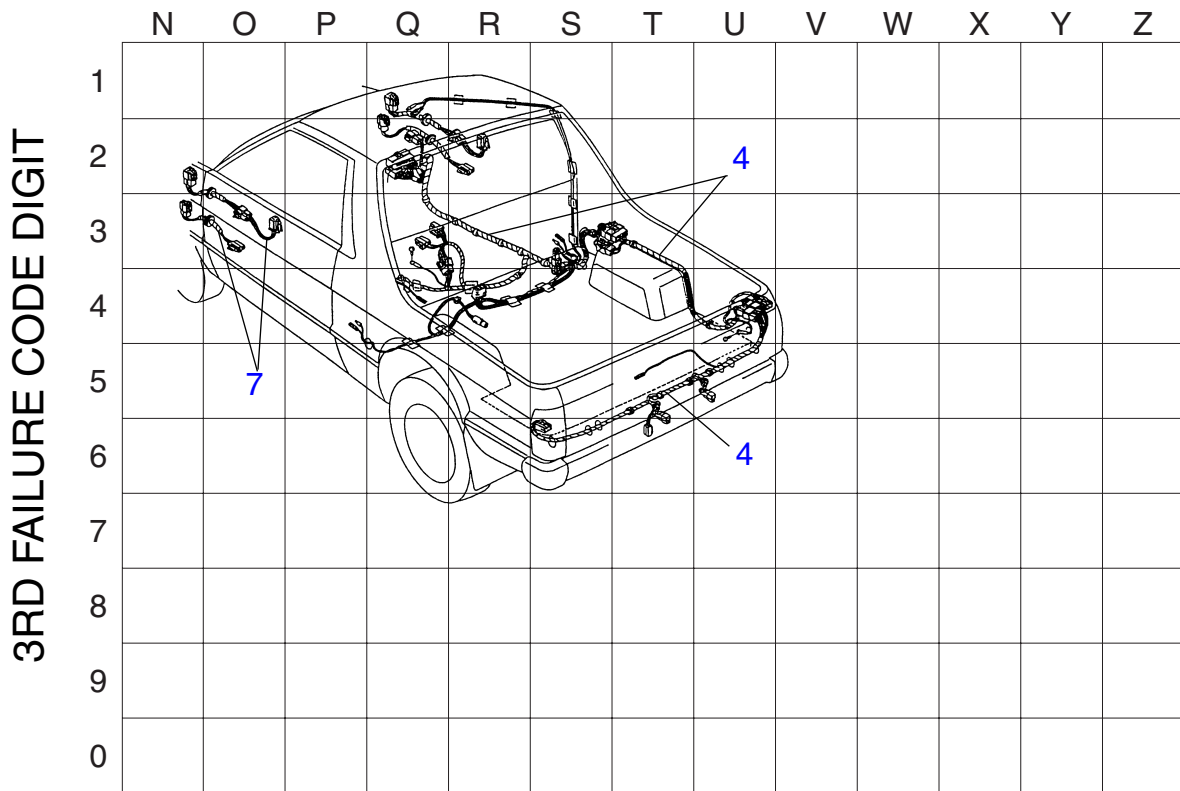
MV

1ST FAILURE CODE DIGIT: "V" (Fixed code)
 2ND FAILURE CODE DIGIT: Grid diagram reading
 3RD FAILURE CODE DIGIT: Grid diagram reading

2ND FAILURE CODE DIGIT



FRM1191



FRM1192

PART 3 (Items common to all models)

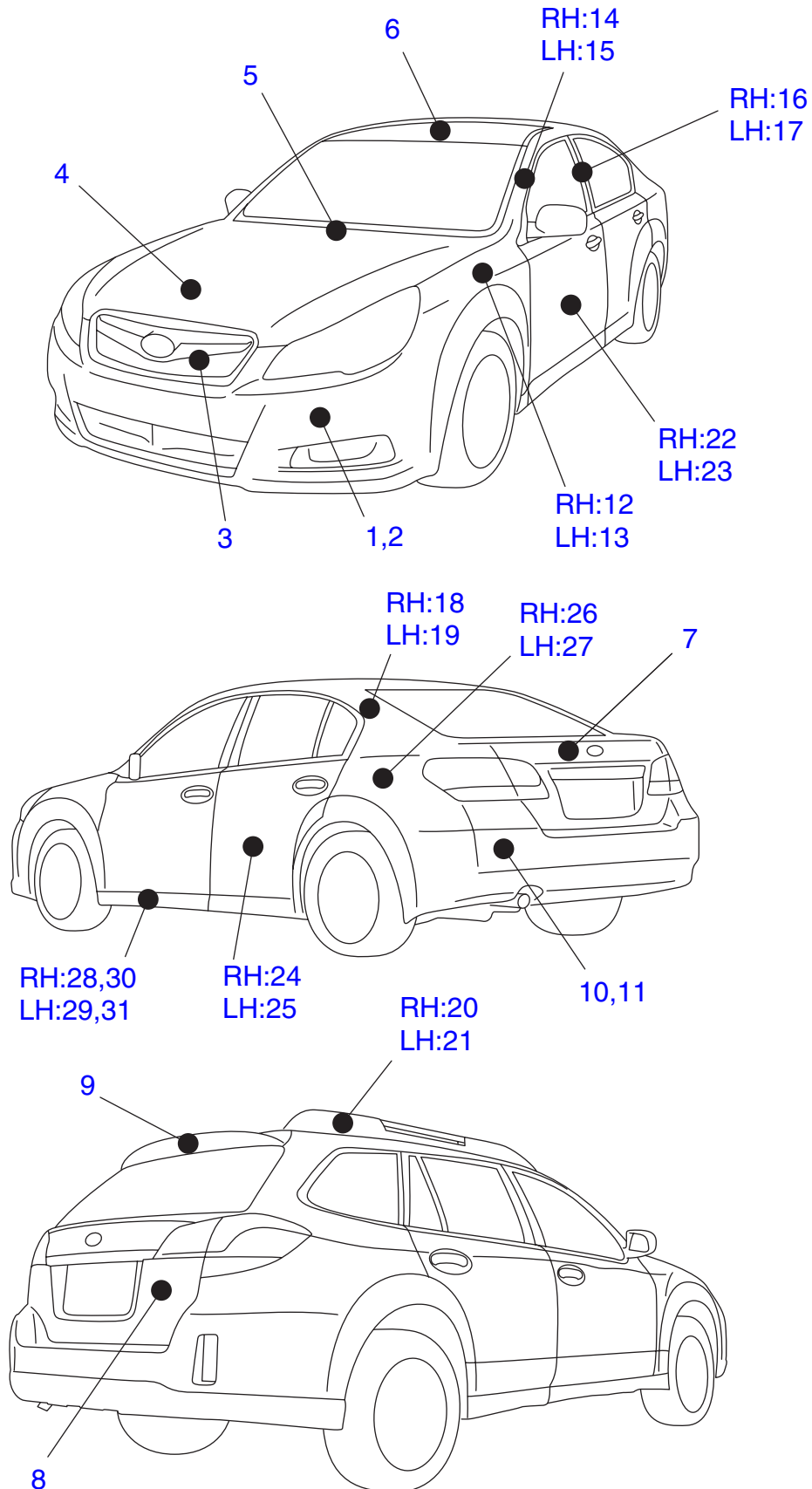
PNT PAINT

BLG BODY LOCATION GRID

PNT

PAINT

Polishing



PNT

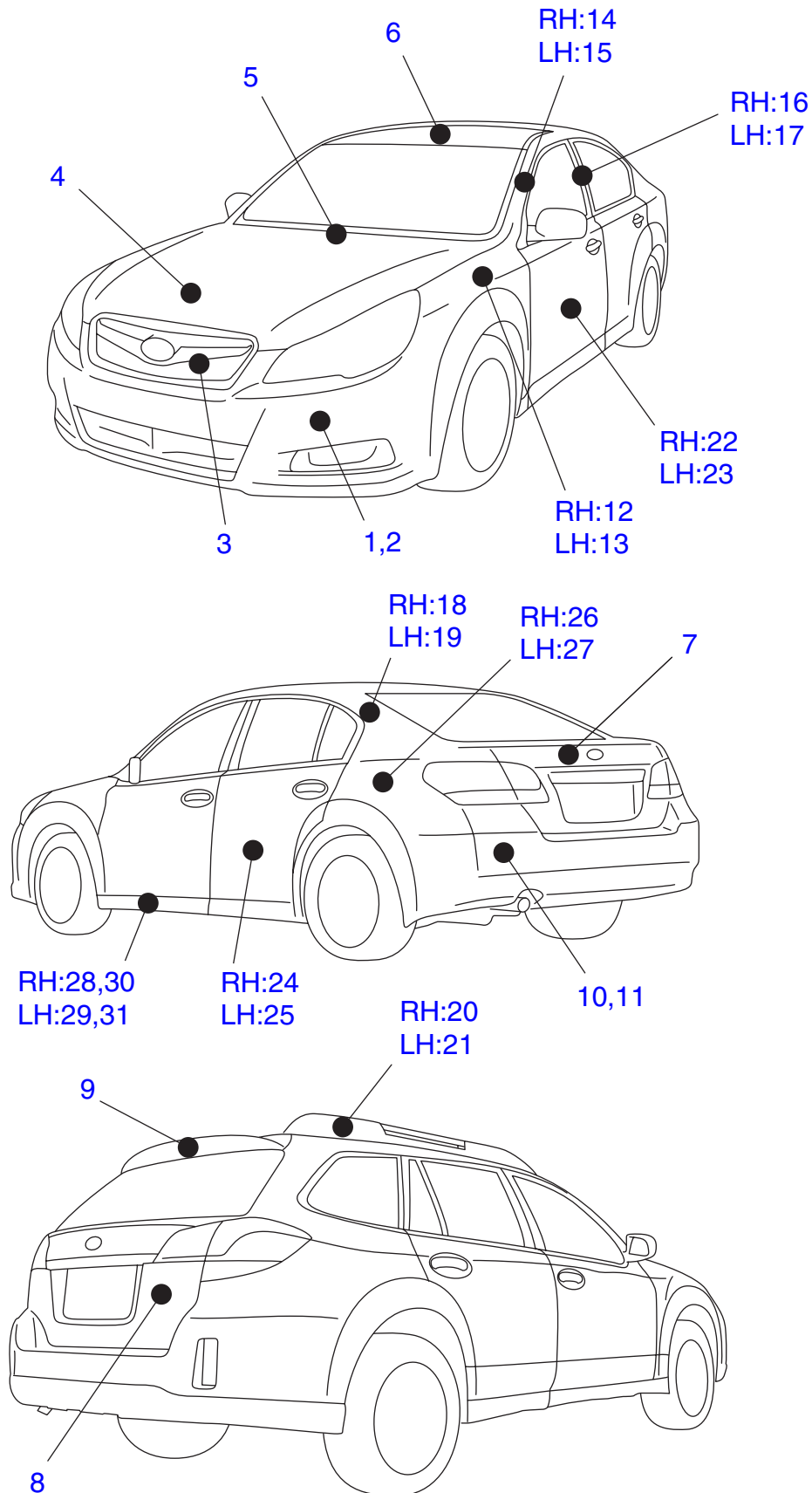
No.	Work No.	Vehicle Information	Work Description	TIME (HOURS)										
				Justy			TRE ZIA	IMPREZA				LEGACY		
				1	2	3		1	2	3	4	1	2	
1	PAP001V		Front Skirt	**	**	**	**	**	**	**	**	**	**	**
2	PAP002V		Front Bumper	**	**	**	**	**	**	**	**	**	**	**
3	PAP003V		Front Grille	**	**	**	**	**	**	**	**	**	**	**
4	PAP004V		Front Hood	**	**	**	**	**	**	**	**	**	**	**
5	PAP005V		Front Panel	**	**	**	**	**	**	**	**	**	**	**
6	PAP006V		Roof Panel	**	**	**	**	**	**	**	**	**	**	**
7	PAP007V		Trunk Lid	**	**	**	**	**	**	**	**	**	**	**
8	PAP008V		Rear Gate	**	**	**	**	**	**	**	**	**	**	**
9	PAP009V		Rear Spoiler	**	**	**	**	**	**	**	**	**	**	**
10	PAP010V		Rear Bumper	**	**	**	**	**	**	**	**	**	**	**
11	PAP011V		Rear Skirt	**	**	**	**	**	**	**	**	**	**	**
12	PAP012V		Front Fender RH	**	**	**	**	**	**	**	**	**	**	**
13	PAP013V		Front Fender LH	**	**	**	**	**	**	**	**	**	**	**
14	PAP014V		Front Pillar RH	**	**	**	**	**	**	**	**	**	**	**
15	PAP015V		Front Pillar LH	**	**	**	**	**	**	**	**	**	**	**
16	PAP016V		Center Pillar RH	**	**	**	**	**	**	**	**	**	**	**
17	PAP017V		Center Pillar LH	**	**	**	**	**	**	**	**	**	**	**
18	PAP018V		Rear Pillar RH	**	**	**	**	**	**	**	**	**	**	**
19	PAP019V		Rear Pillar LH	**	**	**	**	**	**	**	**	**	**	**
20	PAP020V		Roof Rail RH	**	**	**	**	**	**	**	**	**	**	**
21	PAP021V		Roof Rail LH	**	**	**	**	**	**	**	**	**	**	**
22	PAP022V		Front Door RH	**	**	**	**	**	**	**	**	**	**	**
23	PAP023V		Front Door LH	**	**	**	**	**	**	**	**	**	**	**
24	PAP024V		Rear Door RH	**	**	**	**	**	**	**	**	**	**	**
25	PAP025V		Rear Door LH	**	**	**	**	**	**	**	**	**	**	**
26	PAP026V		Rear Quarter Panel RH	**	**	**	**	**	**	**	**	**	**	**
27	PAP027V		Rear Quarter Panel LH	**	**	**	**	**	**	**	**	**	**	**
28	PAP028V		Side Sill RH	**	**	**	**	**	**	**	**	**	**	**
29	PAP029V		Side Sill LH	**	**	**	**	**	**	**	**	**	**	**
30	PAP030V		Side Skirt RH	**	**	**	**	**	**	**	**	**	**	**
31	PAP031V		Side Skirt LH	**	**	**	**	**	**	**	**	**	**	**
	PAP999Z		Other	**	**	**	**	**	**	**	**	**	**	**

PNT

No.	Work No.	Vehicle Information	Work Description	TIME (HOURS)								
				LEGACY			FORESTER			TRIB ECA	EXI GA	SVX
				3	4	5	1	2	3			
1	PAP001V		Front Skirt	**	**	**	**	**	**	**	**	**
2	PAP002V		Front Bumper	**	**	**	**	**	**	**	**	**
3	PAP003V		Front Grille	**	**	**	**	**	**	**	**	**
4	PAP004V		Front Hood	**	**	**	**	**	**	**	**	**
5	PAP005V		Front Panel	**	**	**	**	**	**	**	**	**
6	PAP006V		Roof Panel	**	**	**	**	**	**	**	**	**
7	PAP007V		Trunk Lid	**	**	**	**	**	**	**	**	**
8	PAP008V		Rear Gate	**	**	**	**	**	**	**	**	**
9	PAP009V		Rear Spoiler	**	**	**	**	**	**	**	**	**
10	PAP010V		Rear Bumper	**	**	**	**	**	**	**	**	**
11	PAP011V		Rear Skirt	**	**	**	**	**	**	**	**	**
12	PAP012V		Front Fender RH	**	**	**	**	**	**	**	**	**
13	PAP013V		Front Fender LH	**	**	**	**	**	**	**	**	**
14	PAP014V		Front Pillar RH	**	**	**	**	**	**	**	**	**
15	PAP015V		Front Pillar LH	**	**	**	**	**	**	**	**	**
16	PAP016V		Center Pillar RH	**	**	**	**	**	**	**	**	**
17	PAP017V		Center Pillar LH	**	**	**	**	**	**	**	**	**
18	PAP018V		Rear Pillar RH	**	**	**	**	**	**	**	**	**
19	PAP019V		Rear Pillar LH	**	**	**	**	**	**	**	**	**
20	PAP020V		Roof Rail RH	**	**	**	**	**	**	**	**	**
21	PAP021V		Roof Rail LH	**	**	**	**	**	**	**	**	**
22	PAP022V		Front Door RH	**	**	**	**	**	**	**	**	**
23	PAP023V		Front Door LH	**	**	**	**	**	**	**	**	**
24	PAP024V		Rear Door RH	**	**	**	**	**	**	**	**	**
25	PAP025V		Rear Door LH	**	**	**	**	**	**	**	**	**
26	PAP026V		Rear Quarter Panel RH	**	**	**	**	**	**	**	**	**
27	PAP027V		Rear Quarter Panel LH	**	**	**	**	**	**	**	**	**
28	PAP028V		Side Sill RH	**	**	**	**	**	**	**	**	**
29	PAP029V		Side Sill LH	**	**	**	**	**	**	**	**	**
30	PAP030V		Side Skirt RH	**	**	**	**	**	**	**	**	**
31	PAP031V		Side Skirt LH	**	**	**	**	**	**	**	**	**
	PAP999Z		Other	**	**	**	**	**	**	**	**	**

PNT

Paint Repair



PNT

No.	Work No.	Vehicle Information	Work Description	TIME (HOURS)										
				Justy			TRE ZIA	IMPREZA				LEGACY		
				1	2	3		1	2	3	4	1	2	
1	PNR001X		Front Skirt	**	**	**	**	**	**	**	**	**	**	**
2	PNR002X		Front Bumper	**	**	**	**	**	**	**	**	**	**	**
3	PNR003X		Front Grille	**	**	**	**	**	**	**	**	**	**	**
4	PNR004X		Front Hood	**	**	**	**	**	**	**	**	**	**	**
5	PNR005X		Front Panel	**	**	**	**	**	**	**	**	**	**	**
6	PNR006X		Roof Panel	**	**	**	**	**	**	**	**	**	**	**
7	PNR007X		Trunk Lid	**	**	**	**	**	**	**	**	**	**	**
8	PNR008X		Rear Gate	**	**	**	**	**	**	**	**	**	**	**
9	PNR009X		Rear Spoiler	**	**	**	**	**	**	**	**	**	**	**
10	PNR010X		Rear Bumper	**	**	**	**	**	**	**	**	**	**	**
11	PNR011X		Rear Skirt	**	**	**	**	**	**	**	**	**	**	**
12	PNR012X		Front Fender RH	**	**	**	**	**	**	**	**	**	**	**
13	PNR013X		Front Fender LH	**	**	**	**	**	**	**	**	**	**	**
14	PNR014X		Front Pillar RH	**	**	**	**	**	**	**	**	**	**	**
15	PNR015X		Front Pillar LH	**	**	**	**	**	**	**	**	**	**	**
16	PNR016X		Center Pillar RH	**	**	**	**	**	**	**	**	**	**	**
17	PNR017X		Center Pillar LH	**	**	**	**	**	**	**	**	**	**	**
18	PNR018X		Rear Pillar RH	**	**	**	**	**	**	**	**	**	**	**
19	PNR019X		Rear Pillar LH	**	**	**	**	**	**	**	**	**	**	**
20	PNR020X		Roof Rail RH	**	**	**	**	**	**	**	**	**	**	**
21	PNR021X		Roof Rail LH	**	**	**	**	**	**	**	**	**	**	**
22	PNR022X		Front Door RH	**	**	**	**	**	**	**	**	**	**	**
23	PNR023X		Front Door LH	**	**	**	**	**	**	**	**	**	**	**
24	PNR024X		Rear Door RH	**	**	**	**	**	**	**	**	**	**	**
25	PNR025X		Rear Door LH	**	**	**	**	**	**	**	**	**	**	**
26	PNR026X		Rear Quarter Panel RH	**	**	**	**	**	**	**	**	**	**	**
27	PNR027X		Rear Quarter Panel LH	**	**	**	**	**	**	**	**	**	**	**
28	PNR028X		Side Sill RH	**	**	**	**	**	**	**	**	**	**	**
29	PNR029X		Side Sill LH	**	**	**	**	**	**	**	**	**	**	**
30	PNR030X		Side Skirt RH	**	**	**	**	**	**	**	**	**	**	**
31	PNR031X		Side Skirt LH	**	**	**	**	**	**	**	**	**	**	**
	PNR999Z		Other	**	**	**	**	**	**	**	**	**	**	**

PNT

No.	Work No.	Vehicle Information	Work Description	TIME (HOURS)									
				LEGACY			FORESTER			TRIB ECA	EXI GA	SVX	
				3	4	5	1	2	3				
1	PNR001X		Front Skirt	**	**	**	**	**	**	**	**	**	**
2	PNR002X		Front Bumper	**	**	**	**	**	**	**	**	**	**
3	PNR003X		Front Grille	**	**	**	**	**	**	**	**	**	**
4	PNR004X		Front Hood	**	**	**	**	**	**	**	**	**	**
5	PNR005X		Front Panel	**	**	**	**	**	**	**	**	**	**
6	PNR006X		Roof Panel	**	**	**	**	**	**	**	**	**	**
7	PNR007X		Trunk Lid	**	**	**	**	**	**	**	**	**	**
8	PNR008X		Rear Gate	**	**	**	**	**	**	**	**	**	**
9	PNR009X		Rear Spoiler	**	**	**	**	**	**	**	**	**	**
10	PNR010X		Rear Bumper	**	**	**	**	**	**	**	**	**	**
11	PNR011X		Rear Skirt	**	**	**	**	**	**	**	**	**	**
12	PNR012X		Front Fender RH	**	**	**	**	**	**	**	**	**	**
13	PNR013X		Front Fender LH	**	**	**	**	**	**	**	**	**	**
14	PNR014X		Front Pillar RH	**	**	**	**	**	**	**	**	**	**
15	PNR015X		Front Pillar LH	**	**	**	**	**	**	**	**	**	**
16	PNR016X		Center Pillar RH	**	**	**	**	**	**	**	**	**	**
17	PNR017X		Center Pillar LH	**	**	**	**	**	**	**	**	**	**
18	PNR018X		Rear Pillar RH	**	**	**	**	**	**	**	**	**	**
19	PNR019X		Rear Pillar LH	**	**	**	**	**	**	**	**	**	**
20	PNR020X		Roof Rail RH	**	**	**	**	**	**	**	**	**	**
21	PNR021X		Roof Rail LH	**	**	**	**	**	**	**	**	**	**
22	PNR022X		Front Door RH	**	**	**	**	**	**	**	**	**	**
23	PNR023X		Front Door LH	**	**	**	**	**	**	**	**	**	**
24	PNR024X		Rear Door RH	**	**	**	**	**	**	**	**	**	**
25	PNR025X		Rear Door LH	**	**	**	**	**	**	**	**	**	**
26	PNR026X		Rear Quarter Panel RH	**	**	**	**	**	**	**	**	**	**
27	PNR027X		Rear Quarter Panel LH	**	**	**	**	**	**	**	**	**	**
28	PNR028X		Side Sill RH	**	**	**	**	**	**	**	**	**	**
29	PNR029X		Side Sill LH	**	**	**	**	**	**	**	**	**	**
30	PNR030X		Side Skirt RH	**	**	**	**	**	**	**	**	**	**
31	PNR031X		Side Skirt LH	**	**	**	**	**	**	**	**	**	**
	PNR999Z		Other	**	**	**	**	**	**	**	**	**	**

BLG



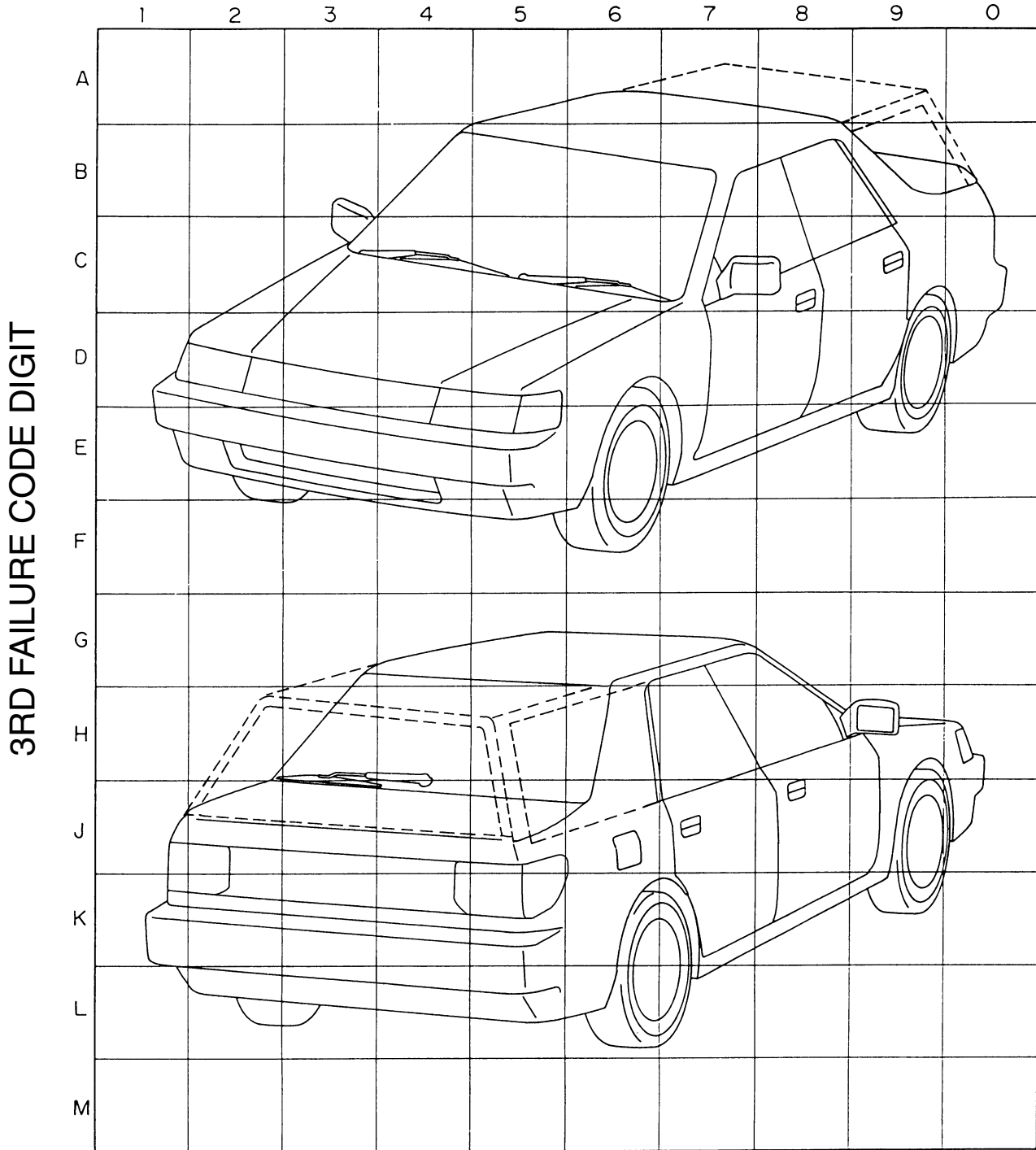
BODY LOCATION GRID

BLG

BODY LOCATION GRID (FOR PAINT FAILURE)

1ST FAILURE CODE DIGIT: "Y" (Fixed code)
2ND FAILURE CODE DIGIT: Grid diagram reading
3RD FAILURE CODE DIGIT: Grid diagram reading

2ND FAILURE CODE DIGIT



Appendix.1

Failure Code and Details

1. SYMPTOM CODE (SC)
2. TROUBLE CODE (TC)
3. SYMPTOM CODE – EXPLANATION IN
DETAIL
4. TROUBLE CODE – EXPLANATION IN
DETAIL
5. PAINT TROUBLE CODE – EXPLANATION
IN DETAIL

1. SYMPTOM CODE (SC)

(1) Engine and Transmission		(2) Chassis & Body	
01	Hard or impossible starting of engine	51	Improper closing
02	Hard or poor restarting of engine, Percolation (hot condition)	52	Improper opening
03	Choke malfunction	53	Dirt, Stain, Discoloration
04	Rough idling	54	Poor chrome plating
05	Engine stalling	55	Poor paint
06	High idling (Except for mechanical trouble)	(3) Electrical (Engine & Body)	
07	Surge, Stumble, Hesitate, Poor acceleration	61	Flat battery
08	Backfire, Misfire	62	Overcharge
09	Afterburn	63	Ineffective "ON"
11	Knocking noise	64	Ineffective "OFF"
12	Excessive fuel consumption	65	Unstable "ON" & "OFF"
13	Excessive oil consumption, White smoke, Oil coming up from blow-by hose	66	Inaccurate (Meter, Gauge, Clock...)
14	Overheat	67	Improper odometer
15	Improper contents of exhaust gas (Idle emission etc.)	68	Poor sound (Horn, Radio, Audio...)
21	Shuddering	69	Improper tuning radio station
22	Slipping	70	Improper coming-out of lighter, antenna
23	Falls to disengage	71	Poor wiping of blade
24	Jumping-out	72	Erroneous behavior
25	Improper synchronizing, Improper engaging	73	Warning light ON, Warning light blinks
26	Tight corner braking, Stick slip	(4) Common, Others	
27	No AWD function (Front or rear traction only)	81	Impossible or dangerous to drive
28	Hard or impossible to move selector lever	82	Incorrect installation or jumping of timing belt
31	Improper shift point (Incl. improper kick down.)	83	Improper oil pressure
32	Automatic transmission impossible to shift	84	Oil leak, Oil entering
33	Inoperative partly	85	Water leak, Water entering
34	Excessive shift shock (Automatic transmission)	86	Leaks-Other (Air, Fuel, Gas...)
35	Engine braking	87	Abnormal noise (Noise other than 08, 09, 11, 21, 41, 92)
(2) Chassis & Body		88	Improper free play
21	Shuddering	89	Poor recovery
41	Squeaking, Squealing	90	Unsmooth steering or brake pedal application
42	Uneven braking effect	91	Poor maneuverability
43	Brake dragging	92	Excessive vibration
44	Incomplete air bleeding	93	Excessive shock
45	Unstable steering	94	Loosening, Falling off
46	Uneven vehicle height	95	Grabs
47	Uneven tire wear	96	Interference or resulting in damage
48	Vehicle tends to move to one side	97	Ineffective lock of door, hood, steering, antenna
49	Steering wheel off-center	98	Low efficiency (Brake, Heater, Air conditioner...)
		99	Inoperative
		ZZ	Others

2. TROUBLE CODE (TC)

1) Common		2) Paint and Corrosion	
01	Broken, Split, Torn	80	Foreign matter in paint
02	Cracked	81	Sag and/or run in paint
03	Scarred (e.g. Bruise, Scratch, Cut, Scored)	82	Thin paint
05	Burnt	83	Off-color
06	Stick, Seized	84	Blistering paint
07	Frozen (Icing)	85	Orange peel
11	Wear	86	Faded paint
12	Deformed (Bent, Twisted, Warped, Shrunk, Swollen, Wrinkled)	87	Peeling paint
13	Weakened, Loss of tension or resilience (Spring, Cushion...)	88	Cracked paint
14	Hardening or softening	89	Improper touch-up, Polished mark
15	Rusty, Corroded	90	Scratch
21	Peeling, Coming-off	91	Chipped paint
22	Clogged	92	Other contamination
25	Poor contact	93	Rust due to parts installation damage
26	Out of balance	94	Rust spots
27	Excessive clearance or backlash	95	Rust on hem/joint
28	Lack of clearance or backlash	96	Rusting through
31	Poor welding, Poor adhesion	3) Others	
32	Porous, Pinhole	ZZ	Others
33	Poor caulking		
35	Incorrect parts		
36	Missing parts		
37	Existence of foreign matter		
41	Faulty machining		
42	Poor fit, Poor assembly		
43	Miss adjustment		
44	Poorly tightened		
51	Open circuit, Faulty semiconductor, Poor connector		
52	Short circuit, Pinched		
53	Come out of connector pin		
54	Come out of connector		
61	Lack of lubricant, adhesive, sealer		
62	Rough sliding		
70	Poor weld		
71	Bumpy or wavy surface		
72	Dented		
73	Grind mark in surface		
74	Burr, Spatter		
75	Unexpected steps		
76	Discontinuity of highlight		

3. SYMPTOM CODE – EXPLANATION IN DETAIL

Symptom Code (SC)

Code No.	Term	Description
01	Hard or Impossible Starting of Engine	Starter cranks but it is difficult for engine to start or starter does not crank at all. Excludes restarting of engine after it has fully warmed up.
02	Hard or Poor Restarting (Hot Condition) of Engine, Percolation	It is difficult to restart warmed engine.
03	Choke Malfunction	Due to faulty choke mechanism, choke valve operates ineffectively.
04	Rough Idling	Engine runs roughly at idle.
05	Engine Stalling	Engine stops inadvertently.
06	High Idling (Except for Mechanical Trouble)	It takes long time for engine to or not to come down to normal idling speed after racing or at stop. Excludes same due to accelerator cable sticking.
07	Surge, Stumble, Hesitate, Poor Acceleration	Back and forth jerking at constant speed, acceleration or deceleration. Engine does not accelerate normally.
08	Backfire, Misfire	Blow back from combustion chamber to intake manifold of poor racing. Misfire.
09	Afterburn	Afterburn in exhaust system.
11	Knocking Noise	Pounding metallic noise caused by abnormal combustion.
12	Excessive Fuel Consumption	Excessive fuel consumption per kilometer or per mile. This does not include fuel leakage.
13	Excessive Oil Consumption White smoke, Oil Coming up from Blow-by hose	Excessive oil consumption per kilometer or per mile. Exhaust gas contains excessive white smoke. Blow back of blow-by gas into air cleaner duct.
14	Overheat	Engine overheats or abnormal rise of coolant temperature, resulting in lack of power or other troubles.
15	Improper Contents of Exhaust Gas (Idle Emission etc.)	CO gas, HC gas, NOx gas, etc. surpass their standard limits specified by regulation.
21	Shuddering	Shaking or jerky action of a vehicle. Applies to clutch brake, etc.
22	Slipping	Applies to loss or partial loss of friction between rotating components.
23	Falls to Disengage	Applies to clutch, gears, etc.
24	Jumping-out	Gears do not hold in mesh.
25	Improper Synchronizing, Improper Engaging	Transmission gears do not mesh properly resulting in an abnormal noise or in hard shifting.
26	Tight Corner Braking, Stick Slip	Abnormal braking or nose in turning by stick-slip or malfunction of AWD transfer clutch. (AWD only)

Symptom Code (SC)

Code No.	Term	Description
27	No AWD Function (Front or Rear Traction only)	4 wheel traction can not be obtained. Car remains front or rear wheel drive only.
28	Hard or Impossible to Move Shift Lever	Impossible to move shift lever into specified position.
31	Improper Shift Point (Incl. Improper Kick Down)	Automatic transmission does not shift up or shift down at specified speed. When automatic transmission does shift, use Code 32.
32	Automatic Transmission Impossible to Shift	Automatic transmission does not change speed properly Shift when shifted. If it is impossible to operate shift lever, use Code No. 28.
33	Inoperative partly	Automatic transmission is inoperative in some position (not in all position). Inoperative in all position, use Code No. 81.
34	Excessive Shift Shock (Automatic Transmission)	Excessive shock when shifting. For engine rev-up when shifting or delayed shift, use Code No. 31.
35	Engine Braking	Unexpected and strong engine brake on automatic transmis- sion car including ECVT. Unexpected and abrupt shift down to Ds range or low speed range.
41	Squeaking, Squealing	Squeak, chatter, or click sounds produced when brake pedal is applied.
42	Uneven Braking Effect	Braking effect is uneven on brakes and vehicle tends to pull to one side.
43	Brake Dragging	There exists a braking force without brake pedal being applied.
44	Incomplete Air bleeding	Brake system becomes inoperative due to air in hydraulic line.
45	Unstable Steering	Vehicle tends to run on its own accord against steering wheel control, and wanders or waves from one side to the other. When vehicle runs on bumpy road, rear end tends to move to either right or left side, on a sudden acceleration. If vehicle tends to move to only one side, use Code No. 48.
46	Uneven Vehicle Height	Uneven pose of a vehicle, e.g. sinking or inclining to one side.
47	Uneven Tire Wear	Abnormally partial wear of tire.
48	Vehicle Tends to Move to One Side	While running straight, vehicle tends to move to one side without any steering control. When vehicle wanders or waves, use Code No. 45.
49	Steering Wheel Off-Center	Steering wheel is not in a correct position when the car is driven in straight direction.
51	Improper Closing	Applies to door, window glass, engine hood, etc.
52	Improper Opening	Applies to the same parts as Code No. 51.

Symptom Code (SC)

Code No.	Term	Description
53	Dirt, Stain, Discoloration	Loses commercial value due to dirt, stain or discoloration.
54	Poor Chrome Plating	Chrome surface is pitted, peeling, etc., resulting in poor appearance.
55	Poor Paint	Unpleasant appearance of painted parts.
61	Flat Battery	Includes ineffective charging due to faulty generator, alternator, regulator, poor contact of terminals, etc.
62	Overcharge	Overcharge due to malfunction of electrical system.
63	Ineffective ON	Any electrical equipment which does not function at all when switched on.
64	Ineffective OFF	Any electrical equipment which does not stop at all when switched off.
65	Unstable ON & OFF	Intermittent or irregular operation of any electrical operation regardless of ON or OFF operation of switch.
66	Inaccurate (Meter, Gauge, Clock...)	Any meter, gauge, or clock, which does not show correct indication.
67	Improper Odometer	Odometer which does not function properly or does not indicate accurately.
68	Poor Sound (Horn, Radio, Audio...)	Poor sound quality of audio equipments, such as radio, audio, horn, speaker, etc.
69	Improper Tuning Radio Station	Either impossible or imperfect to tune radio station.
70	Improper Coming-out of Lighter, Antenna	Applies to cigarette lighter, antenna, window washer liquid, etc., which does not come out properly.
71	Poor Wiping of Blade	Wiper blade which does not wipe properly.
72	Erroneous Behavior	Electrical parts, such as turn signal, headlamp dimmer, etc., which function irregularly due to misconnection or defective mechanism.
73	Warning Light ON, Warning Light Blinks	Although any problem does not occur, check engine warning light, ABS warning light, Power indicator light and so on go or blink. Or failure codes are stored in diagnosis memory.
81	Impossible or Dangerous to Drive	It is impossible to run vehicle due to mechanical failure.
82	Incorrect Installation or Jumping of Timing Belt	Timing alignment is incorrect due to wrong installation or Jumping out of teeth.
83	Improper Oil Pressure	Engine oil pressure or ATF (AT and ECVT) pressure is out of specified, low or high.
84	Oil Leak, Oil Entering	Oil, grease, etc. leak, spread or enter.
85	Water Leak, Water Entering	Water, rain, etc. leak, spread or enter.
86	Leaks-Other (Air, Fuel, Gas...)	Fuel, gas, air or pressure leaks or enters.

Symptom Code (SC)

Code No.	Term	Description
87	Abnormal Noise (Noise Other Than 08, 09, 11, 21, 41, 92)	Any abnormal noise which is not explained in Code No.s, such as 08, 09, 11, 21, 41, and 92.
88	Improper Free Play	Excessive free play or leak of free play.
89	Poor Recovery	Any mechanism which does not return smoothly to its original position manually or automatically. Applies to parking brake, steering wheel, wiper, turn signal switch, accelerator pedal, meter needle, etc.
90	Unsmooth Steering or Brake Pedal Application	Difficult to turn or operate components, such as steering wheel, brake pedal, etc.
91	Poor Maneuverability	Mirror, sun visor, reclining seat and door can not be adjusted or opened to a position desired, or shift lever does not indicate shift position distinctly.
92	Excessive Vibration	Applies to accelerator pedal, clutch pedal, steering wheel, shift lever, etc., of which abnormal vibrations can be felt.
93	Excessive Shock	Uncomfortable or abnormal shocks, such as shocks in steering wheel or in gear shifting of automatic transmission.
94	Loosening, Falling Off	Part tightened or adhered loosens or falls off.
95	Grabs	Unsmooth sliding or unsmooth holding between two components.
96	Interference or Resulting in Damage	Interference between parts due to lack of clearance, sometimes resulting in damage or scratch of parts.
97	Ineffective Lock of Door, Hood, Steering, Antenna	Locking mechanism which does not function properly.
98	Low Efficiency (Brake, Heater, Air conditioner...)	Applies to insufficient performance of heater, defroster, air conditioner, etc.
99	Inoperative	Impossible to move, turn or indicate except for Code No.s such as 23, 28 and 41. Applies to window regulator, speedometer, etc.
ZZ	Others	Any trouble which is not found in this code list. Try to avoid using this code number as much as possible.

4. TROUBLE CODE – EXPLANATION IN DETAIL

Trouble Code (TC)

Code No.	Term	Description
01	Broken, Split, Torn	Applies to any part which is partially or completely separated.
02	Cracked	Any part which is cracked. Applies to cylinder head, carburetor, insulator, lower arm, etc.
03	Scarred (e.g. Bruise, Scratch, Cut, Scored)	Includes bruise, scratch or score.
05	Burnt	Applies to valve face (exclude valve stem), piston, wires, gaskets, etc.
06	Stick, Seized	Self-explanatory.
07	Frozen (Icing)	Normal operation is affected by freezing or icing.
11	Wear	Any part which is worn off beyond its specified tolerance. Applies to brake lining, clutch disc, camshaft, valve lifter, etc.
12	Deformed (Bent, Twisted, Warped, Shrunk, Swollen, Wrinkled)	Applies to any part of which shape is changed. Applies to cylinder head, push rod, tie-rod, etc.
13	Weakened, Loss of Tension or Resilience (Spring, Cushion...)	Gradual deterioration due to repeated stress, excessive heat or chemical change. Applies to spring, battery, seat cushion, hose, etc.
14	Hardening or Softening	Hardens or softens by heat or chemical reaction.
15	Rusty, Corroded	Any metal product which is rusted or corroded. Applies to radiator, water pump body, master cylinder bore, etc.
21	Peeling, Coming-off	Any part which is adhered is coming-off or stripped. Any part of which surface is peeling-off. Applies to upholstery, brake lining, weatherstrip, roof headlining, etc.
22	Clogged	component or passage restricted.
25	Poor Contact	Two parts do not contact properly, such as piston ring, valve, brake lining, disc brake pad, oil seal, wiper blade, etc. Except 51, 53 and 54
26	Out of Balance	Includes irregular, uneven, or off-centered part.
27	Excessive Clearance or Backlash	Self-explanatory.
28	Lack of Clearance or Backlash	Self-explanatory.
31	Poor Welding, Poor Adhesion	Applies to body, rear axle housing, carburetor float, steering main shaft, etc.
32	Porous, Pinhole	Small opening(s) in the casted part. Applies to cylinder block, cylinder head, carburetor body, transmission case, etc.
33	Poor Caulking	Applies to cylinder block tight plug, lock nut, etc.

Trouble Code (TC)

Code No.	Term	Description
35	Incorrect Parts	Installation of incorrect part.
36	Missing Parts	Part is missing in the specified place.
37	Existence of Foreign Matter	Foreign matter exists in mechanism.
41	Faulty Machining	Parts machined out of specification, holes not completely drilled or bored out of alignment.
42	Poor Fit, Poor Assembly	Any part which is not assembled or installed properly.
43	Miss Adjustment	Self-explanatory.
44	Poorly Tightened	Self-explanatory.
51	Open Circuit Faulty Semiconductor Poor Connector	Except 53 and 54 due to defective semi-conductor or non-soldering type.
52	Short Circuit, Pinched	Either electrical part or electrical current short-circuits, leaks or contacts poorly.
53	Come Out of Connector Pin	Pin is dropped from connector resulting in open circuit.
54	Come Out of Connector	Connector is disconnected. Repair cable breakage of harness if necessary.
61	Lack of Lubricant, Adhesive, Sealer	Self-explanatory.
62	Rough Sliding	Self-explanatory.
70	Poor Weld	Self-explanatory.
71	Bumpy or Wavy surface	Deformation appeared on body surface caused by stress concentration during proper driving.
72	Dented	Deformed body surface caused by accident.
73	Grind Mark in Surface	Self-explanatory.
74	Burr, Spatter	Self-explanatory.
75	Unexpected Steps	Self-explanatory.
76	Discontinuity of Highlight	Self-explanatory.
ZZ	Others	Any trouble which is not found in this code list. Try to avoid using this code number as much as possible.

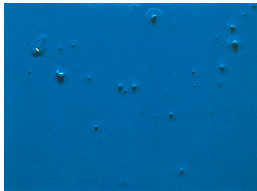
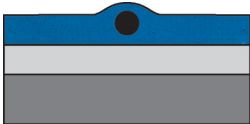

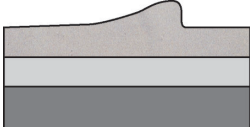





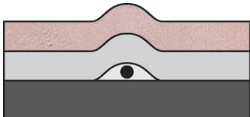



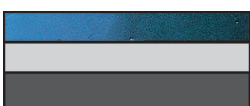

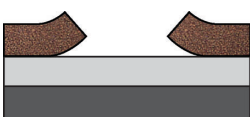
5. PAINT TROUBLE CODE – EXPLANATION IN DETAIL

Paint Trouble Code







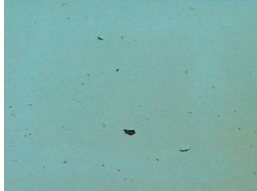
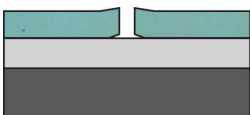
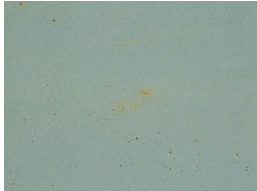

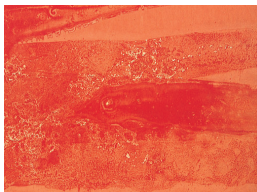
(Refer to the photos and diagrams of typical paint problems on the following page.)

Code No.	Term	Description
80	FOREIGN MATTER IN PAINT	Dirt and dust adhered to the painted surface, while it was still damp
81	SAG AND/OR RUN IN PAINT	Paint that fails to adhere to the surface flows. This often occurs on vertical surfaces due to improperly diluted paint.
82	THIN PAINT	The top coat (Red) is applied to the undercoat (grey), however, the undercoat can be seen because of the thin application.
83	OFF-COLOR	The paint color of a certain portion doesn't match with the paint color of the rest. This doesn't include the Code No. 82.
84	BLISTERING PAINT	Moisture, etc. trapped in the coating film causes small swellings in the surface.
85	ORANGE PEEL	Uneven surface formation which looks much like that of the skin of an orange.
86	FADED PAINT	With the short lapse of time, the paint loses its original bright color. This may occur due to the poor paint material used or lack of time in drying the paint.
87	PEELING PAINT	Flakes of the top coat peels off, showing the grey undercoat.
88	CRACKED PAINT	The coating film is cracked and sometimes looks white in the surface.
89	IMPROPER TOUCH-UP OR POLISHED MARK	Minor damage that is apparent to the eye after it has been touched up by a brush.
90	SCRATCH	Straight cuts in the painted surface – usually caused by rubbing the surface with a hard or dusty cloth. The thicker the coat color, the more appreciable they become.
91	CHIPPED PAINT	Pieces of about 1 mm (0.04 in) partially flake off the coating film.
92	OTHER CONTAMINATION	Iron or other powders, body of insect or acid rain adhering to the coating film will result in stains and rust formation.
93	Rust Due to Parts Installation Damage	Paint surface is ruined by the corner(s) of assembly part(s), such as moulding(s), emblem(s), etc.
94	Rust Spots	Rust Spots may appear due to the reasons other than the Code No.s, 84, 90, 93 or 95.
95	Rust on Hem/Joint	Rust appears on the panel joint or hem.
96	Rusting Through	Due to the insufficient anti-rust treatment, the reverse side of panel is corroded. This doesn't include corrosion caused by the Code No.s, 90, 93, 94 or 95.

Paint Trouble Code

Code No.	Paint Trouble Sample	
80		
81		
82		
83		
84		
85		
86		
87		

Paint Trouble Code

Code No.	Paint Trouble Sample
88	<div style="display: flex; justify-content: space-around; align-items: center;"> <div style="text-align: center;">  <p>FRM1263</p> </div> <div style="text-align: center;">  <p>FRM1264</p> </div> </div>
89	<div style="display: flex; justify-content: space-around; align-items: center;"> <div style="text-align: center;">  <p>FRM1265</p> </div> </div> <div style="display: flex; justify-content: space-around; align-items: center; margin-top: 10px;"> <div style="text-align: center;">  <p>FRM1266</p> </div> </div>
90	<div style="display: flex; justify-content: space-around; align-items: center;"> <div style="text-align: center;">  <p>FRM1267</p> </div> <div style="text-align: center;">  <p>FRM1268</p> </div> </div>
91	<div style="display: flex; justify-content: space-around; align-items: center;"> <div style="text-align: center;">  <p>FRM1269</p> </div> <div style="text-align: center;">  <p>FRM1270</p> </div> </div>
92	<div style="display: flex; justify-content: space-around; align-items: center;"> <div style="text-align: center;">  <p>FRM1271</p> </div> <div style="text-align: center;">  <p>FRM1272</p> </div> </div> <div style="display: flex; justify-content: space-around; align-items: center; margin-top: 10px;"> <div style="text-align: center;">  <p>FRM1273</p> </div> </div>

Appendix.2

Rust Warranty Criteria

1. Warranty coverage of rust and judge level of warranty

1. Warranty coverage of rust and judge level of warranty

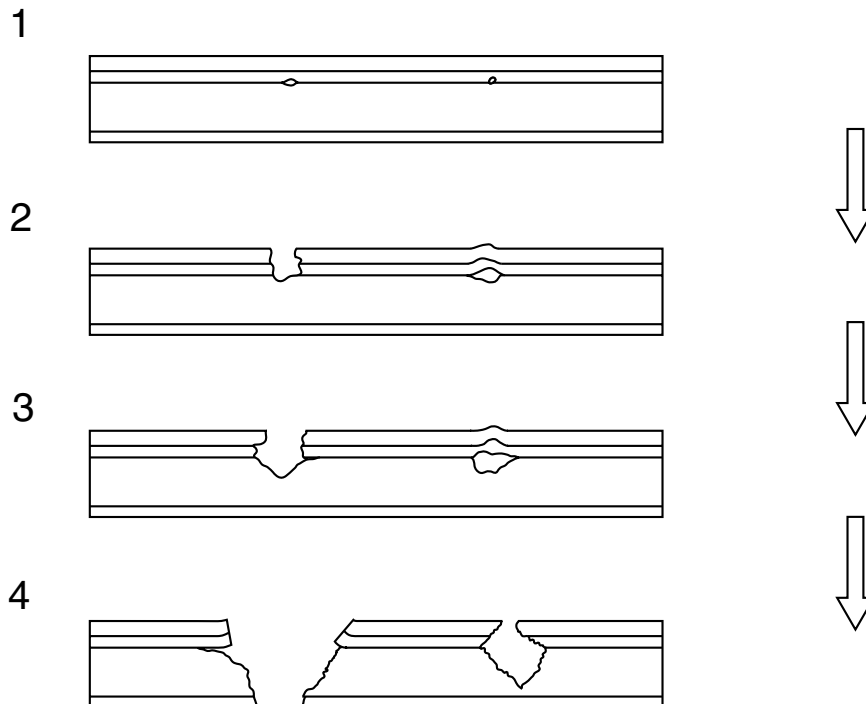
1. Warranty coverage

	Warranty coverage	Definition
a. Surface Rust	Yes	Rust perforation resulted by contamination or damage upon manufacturing
b. Rust Through	Yes	Rust perforation eroded from inside metal part to the painting
c. Other (Chipping)	No	Rust perforation resulted by crack by jumping stone or user's fault.

Explanation

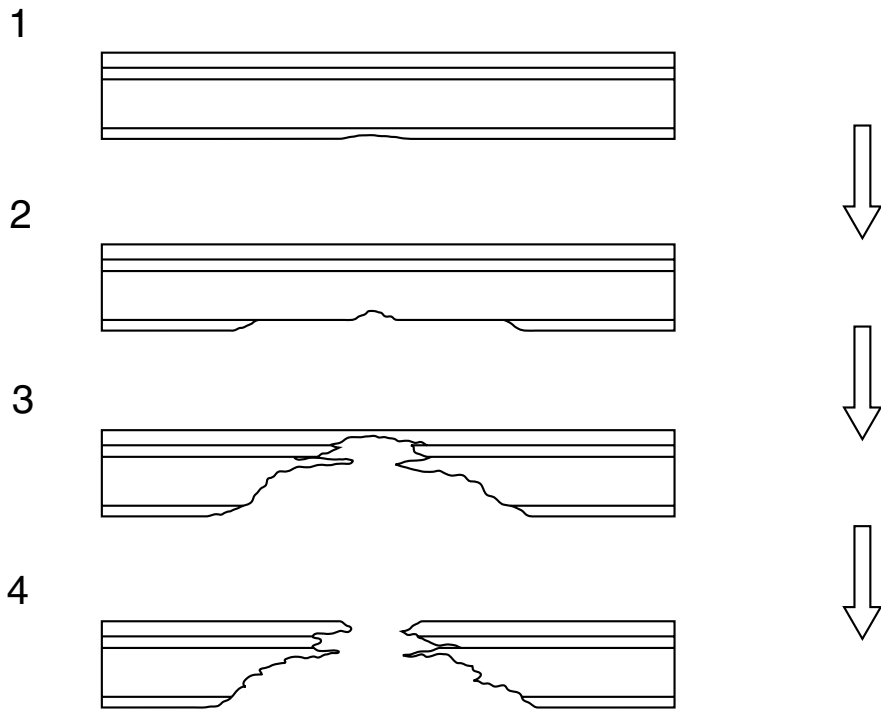
a. Surface Rust

Obstacle or water between painting and metal panel that lead to rust perforation.



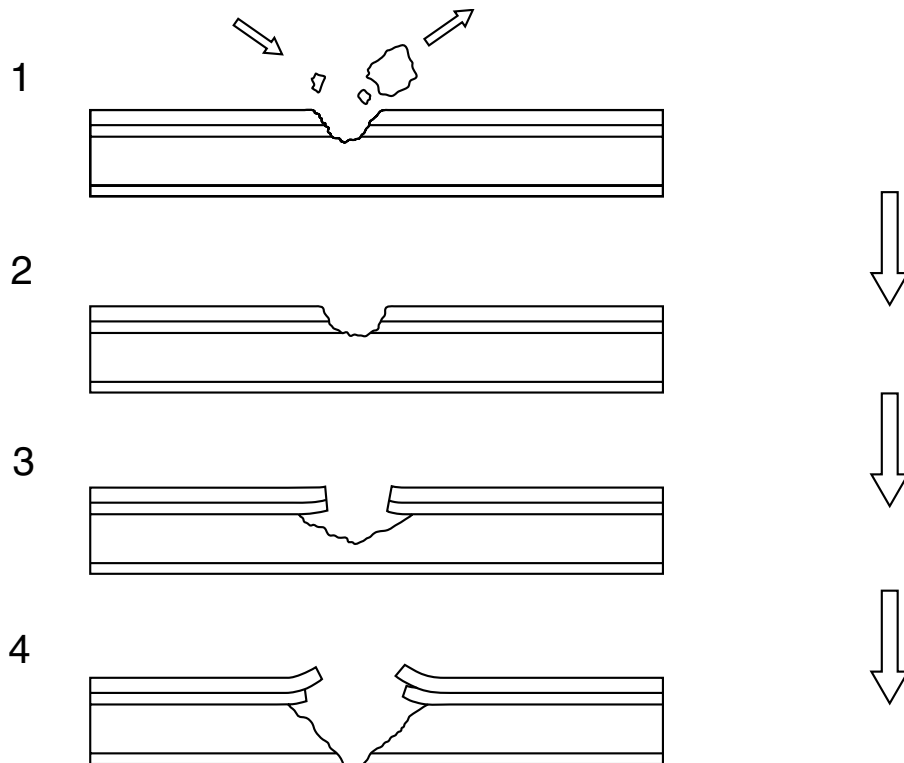
b. Rust Through

Defective metal part that lead to rust perforation from inside and erosion of the painting.



c. Other

External influence like jumping stone that lead to chipping and erosion of the painting.



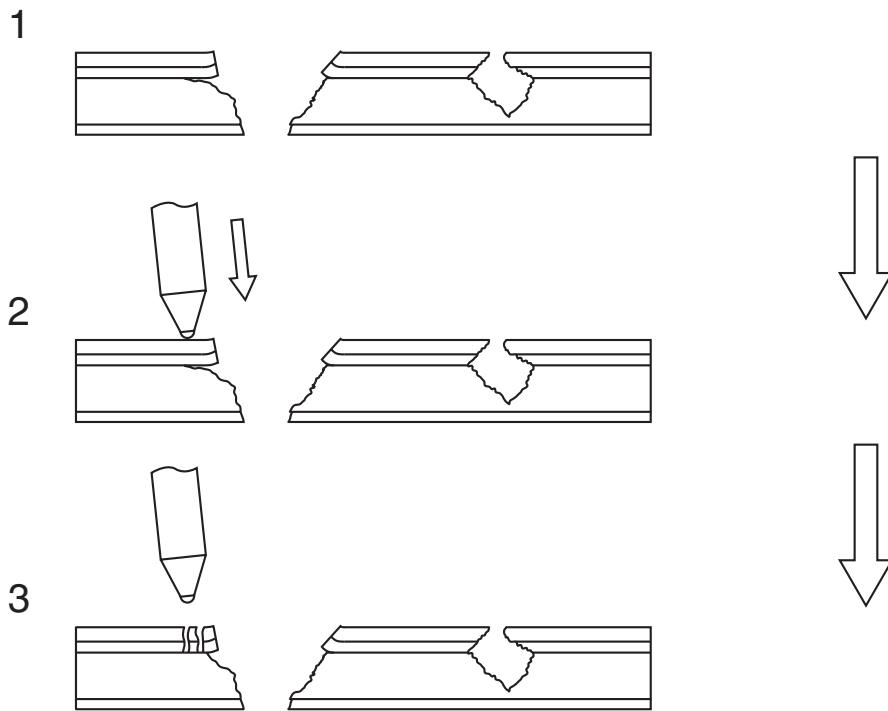
2. How to Judge

	Definition
a. Surface Rust	Rust perforation is not enlarged, if the edge of hole is pushed by a finger or is hammered slightly.
b. Rust Through	Rust perforation is enlarged easily, if the edge of hole is pushed by a finger or is hammered slightly.
c. Other (Chipping)	Surface damage exists prior to the rust perforation that is heavily judgeable as different from surface rust. However, it tends to be occurred under hood, roof or door where exposed to be chipped easily.

Explanation

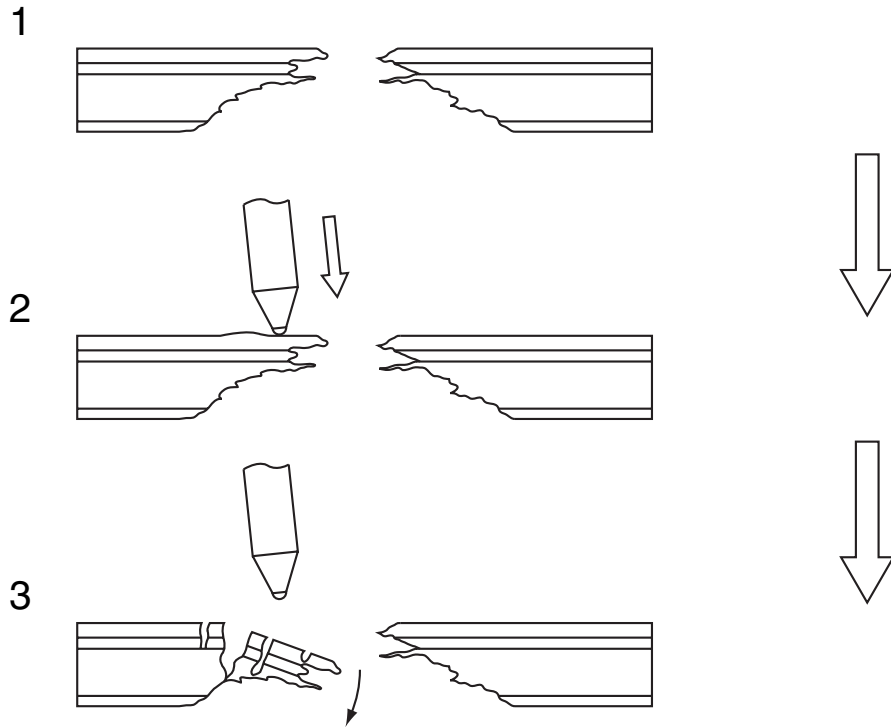
a. Surface Rust

As it is rust perforation from painting surface, it is not enlarged easily even if pushed slightly.



b. Rust Through

As it is rust perforation from inside metal, it is enlarged easily if pushed slightly.



c. Other

As it is also rust perforation from painting surface, it is similar to a. Surface Rust.