

## SERVICE BULLETIN

**APPLICABILITY** ALL LEGACY, SVX AND IMPREZA MODELS EQUIPPED WITH 4EAT TRANSMISSIONS **DATE** 06-01-94

**SUBJECT:** 4EAT MODIFICATIONS - UPDATED INFORMATION

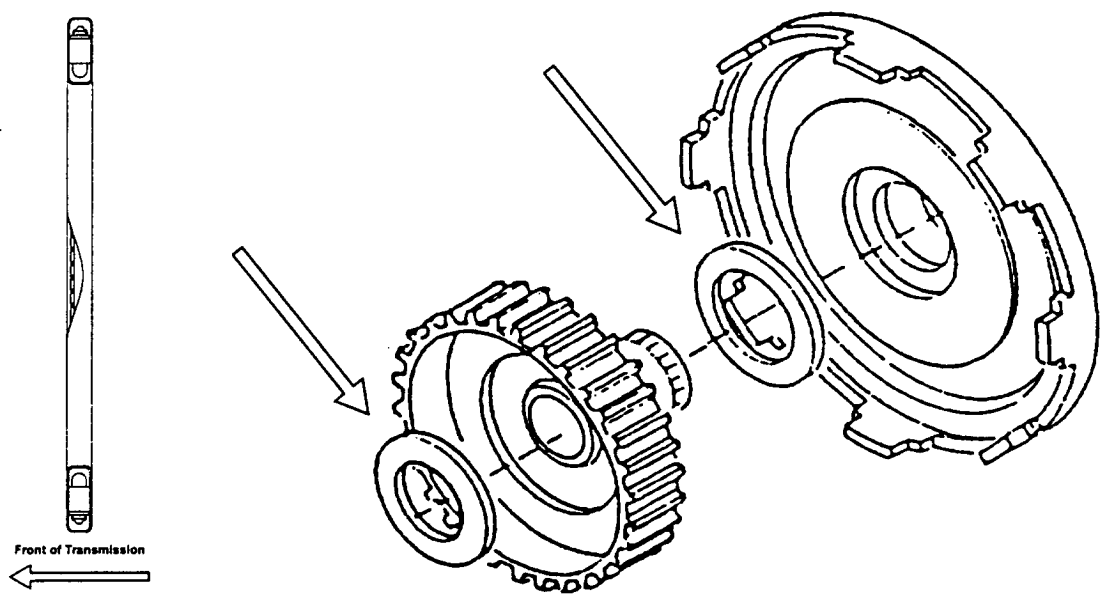
This Service Bulletin updates information found in Service Bulletin 16-58-94 "4EAT Modifications".

This Bulletin is for information only.

Be advised that P/N 31541AA030 (High Clutch Drum), should be changed to read 31541AA020. (Refer to Item Number 3 "High Clutch Seizure/Failure", SVX and Legacy Turbo of Service Bulletin 16-58-94.) Also, P/N 80653620 (Thrust Bearing) should be changed to read 806536020. (Refer to Item 3 "High Clutch Seizure/Failure", Legacy N.A. of the same Service Bulletin.)

When installing the new style high clutch hub, P/N 31550AA020, into an older style front sun gear with the bushing installed, the hub will not pass through the sun gear. It will be necessary to remove the bushing from the sun gear. This is a simple procedure and can be accomplished using a small punch.

Also, when installing thrust bearing P/N 806537010, it is necessary to install two (2). One bearing is installed between the high clutch hub and the front sun gear, the other between the high clutch hub and high clutch drum (refer to Figure 1). These bearings **must** be installed correctly. The smaller inner bearing race **must** face the front of the transmission (refer to Figure 2).



**CAUTION**  
VEHICLE SERVICING PERFORMED BY UNTRAINED PERSONS COULD RESULT IN SERIOUS INJURY TO THOSE PERSONS OR TO OTHERS.  
Subaru Service Bulletins are intended for use by professional technicians ONLY. They are written to inform those technicians of conditions that may occur in some vehicles, or to provide information that could assist in the proper servicing of the vehicle. Properly trained technicians have the equipment, tools, safety instructions, and know-how to do the job correctly and safely. If a condition is described, DO NOT assume that this Service Bulletin applies to your vehicle, or that your vehicle will have that condition. Impreza is a Trademark and Legacy, Justy, Loyale and Subaru SVX are Registered Trademarks.