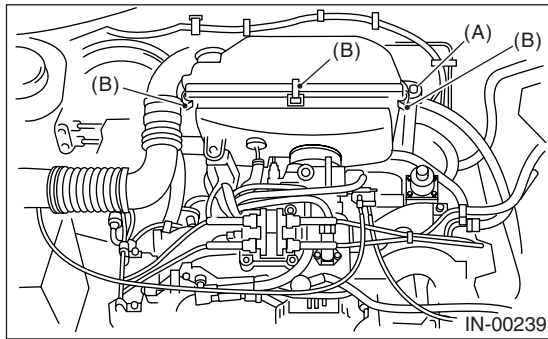


10. Air Cleaner Element

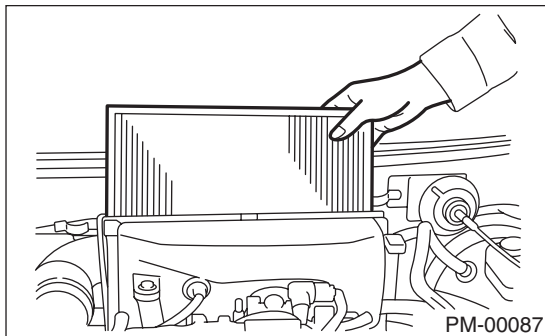
A: REMOVAL

1. NON-TURBO MODEL

- 1) Remove the air intake duct from air cleaner case.
- 2) Remove the bolt (A) which installs air cleaner case to stays.
- 3) Remove the clip (B) above the air cleaner case.

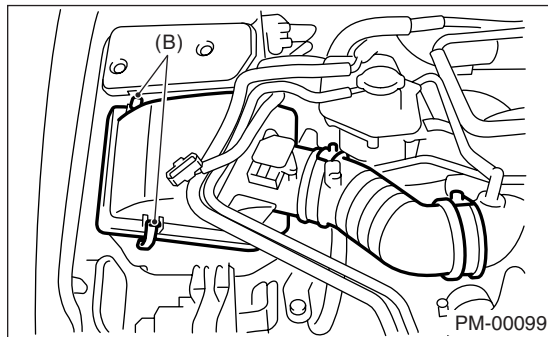


- 4) Remove the air cleaner.

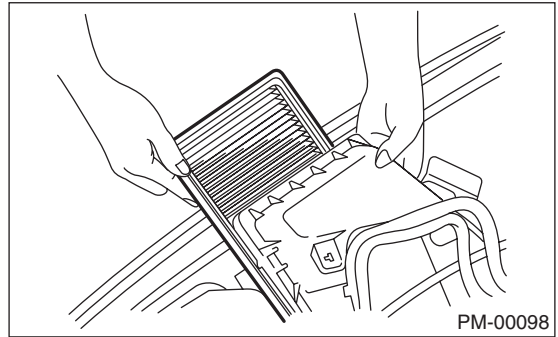


2. TURBO MODEL

- 1) Remove the clip (B) above the air cleaner case.



- 2) Remove the air cleaner.



B: INSTALLATION

1. NON-TURBO MODEL

Install in the reverse order of removal.

CAUTION:
Fasten with a clip after inserting the lower tab of the case.

2. TURBO MODEL

Install in the reverse order of removal.

CAUTION:
Align the protruding portion of air cleaner upper cover with holes of air cleaner lower case, then secure upper cover to case.

