

19. Brake Fluid

A: REPLACEMENT

- 1) Lift-up the vehicle.
- 2) Remove both front and rear wheels.
- 3) Draw out the brake fluid from master cylinder with syringe.
- 4) Refill the reservoir tank with recommended brake fluid.

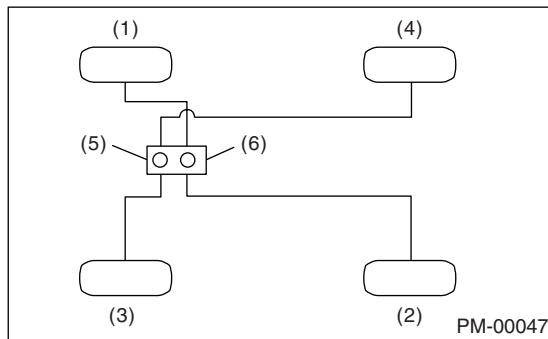
Recommended brake fluid:

FMVSS No. 116, fresh DOT3 or 4 brake fluid

CAUTION:

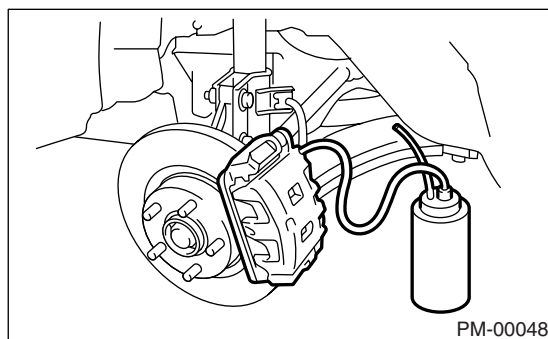
- **Avoid mixing different brands of brake fluid to prevent degrading the quality of the fluid.**
- **Be careful not to allow dirt or dust to get into the reservoir tank.**

Bleeding sequence (1) → (2) → (3) → (4)



- (1) Front right
- (2) Rear left
- (3) Front left
- (4) Rear right
- (5) Secondary
- (6) Primary

- 5) Install one end of a vinyl tube onto the air bleeder and insert the other end of the tube into a container to collect the brake fluid.



CAUTION:

- **Cover the bleeder with waste cloth, when loosening it, to prevent brake fluid from being splashed over surrounding parts.**

- **During the bleeding operation, keep the brake reservoir tank filled with brake fluid to eliminate entry of air.**
- **The brake pedal operating must be very slow.**
- **For convenience and safety, two people should do the work.**

NOTE:

The amount of brake fluid required is approx. 500 ml (16.9 US fl oz, 17.6 Imp fl oz) for total brake system.

- 6) Instruct your co-worker to depress the brake pedal slowly two or three times and then hold it depressed.
- 7) Loosen the bleeder screw approx. 1/4 turn until a small amount of brake fluid drains into container, and then quickly tighten the screw.
- 8) Repeat steps 6) and 7) above until there are no air bubbles in the drained brake fluid and new fluid flows through vinyl tube.

NOTE:

Add brake fluid as necessary while performing the air bleed operation, in order to prevent the tank from running short of brake fluid.

- 9) After completing the bleeding operation, hold brake pedal depressed and tighten the bleeder screw and install bleeder cap.

Tightening torque:

8 N·m (0.8 kgf·m, 5.8 ft·lb)

- 10) Bleed air from each wheel cylinder by following the previous 5 steps.
- 11) Depress the brake pedal with a force of approx. 294 N (30 kgf, 66 lb) and hold it there for approx. 20 seconds. At this time check the pedal to see if it makes any unusual movement. Visually inspect the bleeder screws and brake pipe joints to make sure that there is no fluid leakage.
- 12) Install the wheels, and drive the vehicle for a short distance between 2 to 3 km (1 to 2 miles) to make sure that brakes are operating properly.