

COOLING SYSTEM

PERIODIC MAINTENANCE SERVICES

11. Cooling System

A: INSPECTION

1) Check the radiator for leakage, filling it with coolant and attach the radiator cap tester (A) to filler neck.

PRESSURE:

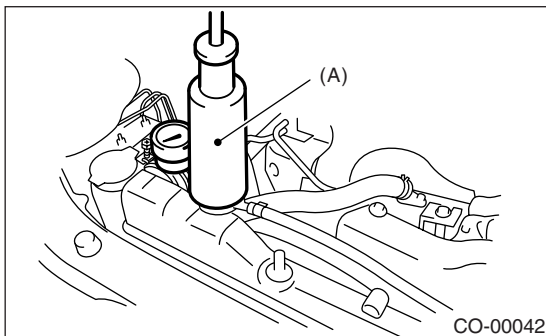
157 kPa (1.6 kg/cm², 23 psi)

Check the following points.

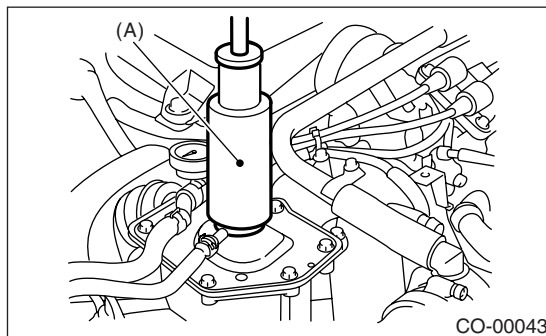
- Each portion of radiator for leakage
- Hose joints and other connections for leakage

CAUTION:

- For turbo model, be sure to install tester to filler tank side.
- When attaching or detaching tester and when operating tester, use special care not to deform radiator filler neck.
- When performing this check, be sure to keep the engine stationary and fill the radiator with coolant.
- Wipe off check points before applying pressure.
- Use care not to spill coolant when detaching the tester from radiator.
- Non-turbo model



- Turbo model



2) Check the radiator cap valve open pressure using radiator cap tester.

Raise the pressure until the needle of gauge stops and see if the pressure can be retained for 5 to 6 seconds. The radiator cap is normal if a pressure above the service limit value has been maintained for this period.

CAUTION:

Rust or dirt on the cap may prevent the valve from functioning normally: be sure to clean the cap before testing.

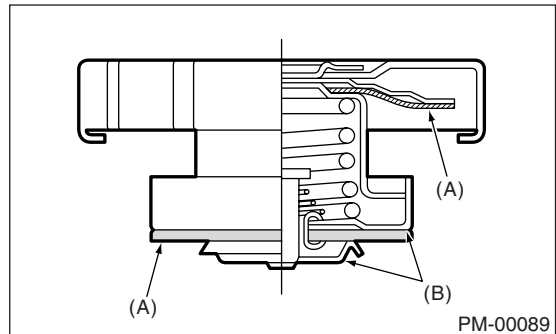
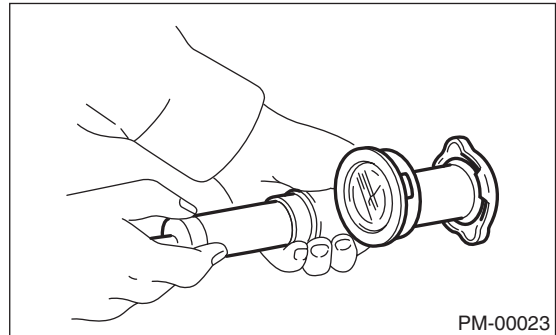
Radiator cap valve open pressure

Standard value:

93 — 123 kPa (0.95 — 1.25 kg/cm², 14 — 18 psi)

Service limit:

83 kPa (0.85 kg/cm², 12 psi)



(A) Deformation

(B) Deformation, damage, rust

3) Start the engine, and then check if it does not over heat or it is cooled excessively. If it overheats or it is cooled excessively, check the cooling system. <Ref. to CO(H4SO)-19, Water Pump.> <Ref. to CO(H4SO)-24, Thermostat.> <Ref. to CO(H4SO)-26, Radiator.> <Ref. to CO(H4SO)-32, Radiator Cap.>

4) Check the radiator fan operates using SUBARU Select Monitor, when the coolant temperature exceeds 95°C (203°F). If not operate, check the radiator fan system. <Ref. to CO(H4SO)-11, Radiator Fan System.>