

DISC BRAKE PADS AND DISCS

PERIODIC MAINTENANCE SERVICES

20. Disc Brake Pads and Discs

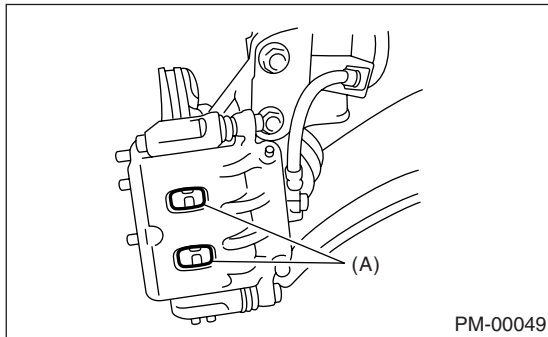
A: INSPECTION

1. DISC BRAKE PAD AND DISC

- 1) Lift-up the vehicle. Then remove the wheels.
- 2) Visually check the pad thickness through inspection hole of disc brake assembly. Replace the pad if necessary.

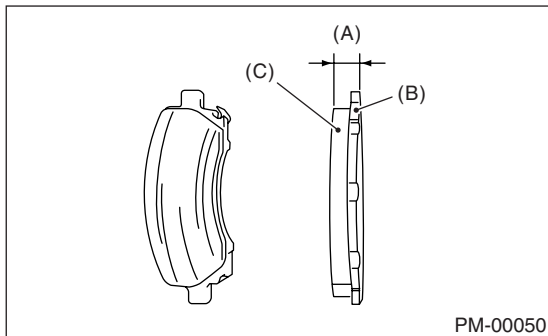
CAUTION:

When replacing a pad, always replace the pads for both the right and left wheels at the same time. Also replace the pad clips if they are twisted or worn.



(A) Inspection hole

	Pad thickness including back metal mm (in)	
	Front	Rear
Standard	17 (0.67)	14 (0.55)
Wear limit	7.5 (0.295)	6.5 (0.256)



- (A) Thickness of pad
- (B) Back metal
- (C) Lining

- 3) Check the disc rotor, and correct or replace if it is damaged or worn.

	Brake disc thickness mm (in)	
	Front	Rear
Standard	24 (0.94)	10 (0.39)
Wear limit	22 (0.87)	8.5 (0.335)

- 4) Remove the caliper body. <Ref. to BR-18, Front Disc Brake Assembly.> <Ref. to BR-24, Rear Disc Brake Assembly.>

- 5) Tighten the wheel nuts to secure disk rotor.
- 6) Set a dial gauge at a point less than 10 mm (0.39 in) from outer periphery of rotor, and then measure the disk rotor runout.

Disc rotor runout limit:

Front: 0.075 mm (0.0030 in)

Rear: 0.070 mm (0.0028 in)

