

# FRONT & REAR DIFFERENTIAL OIL

## PERIODIC MAINTENANCE SERVICES

### 17. Front & Rear Differential Oil

#### A: REPLACEMENT

##### 1. FRONT DIFFERENTIAL (MT MODEL)

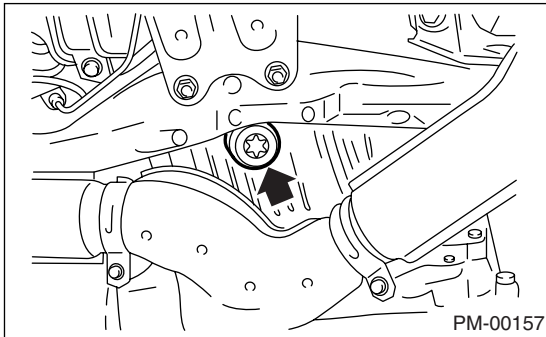
For MT model, manual transmission oil works as differential oil to lubricate differential. Refer to "Transmission Oil". <Ref. to PM-22, Transmission Gear Oil.>

##### 2. FRONT DIFFERENTIAL (AT MODEL)

1) Drain the differential gear oil by removing drain plug using TORX® T70.

#### CAUTION:

- Before starting work, cool off differential gear oil well.
- If front differential gear oil adheres to the exhaust pipe, wipe it off completely.



2) Replace the gasket with a new one, and then tighten the drain plug to specified torque.

#### Tightening torque:

**44 N·m (4.5 kgf·m, 32.5 ft·lb)**

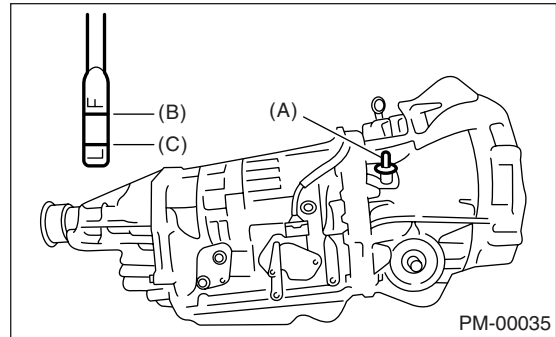
3) Fill differential gear oil through the oil level gauge hole up to the upper point of level gauge.

#### CAUTION:

Each oil manufacturer has its base oil and additives. Thus, do not mix two or more brands.

#### Differential gear oil capacity:

**1.1 — 1.3 ℓ (1.2 — 1.4 US qt, 1.0 — 1.1 Imp qt)**



- (A) Oil level gauge
- (B) Upper level
- (C) Lower level

##### 3. REAR DIFFERENTIAL

- 1) Drain the differential gear oil by removing drain plug.
- 2) Remove the filler plug for quick draining oil.
- 3) Install the drain plug after draining oil.

#### NOTE:

Apply liquid gasket to the drain plug threads.

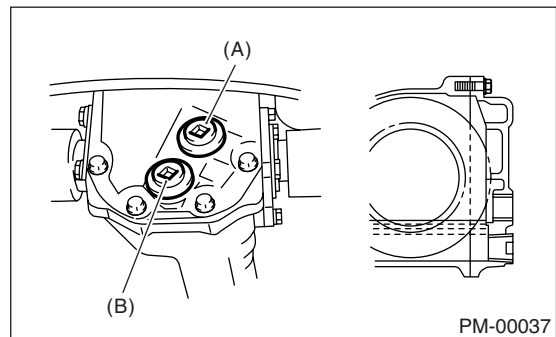
#### Liquid gasket:

**Three Bond 1105 (Part No. 004403010)**

#### Tightening torque:

**49.0 N·m (5.0 kgf·m, 36.2 ft·lb)**

4) After installing the drain plug onto rear differential gear case firmly, fill oil up fully to the mouth of filler plug.



- (A) Filler plug
- (B) Drain plug

#### Oil capacity:

**0.8 ℓ (0.8 US qt, 0.7 Imp qt)**

#### CAUTION:

Each oil manufacturer has its base oil and additives. Thus, do not mix two or more brands.

## FRONT & REAR DIFFERENTIAL OIL

PERIODIC MAINTENANCE SERVICES

---

5) Install the filler plug onto rear differential gear case firmly.

NOTE:

Apply liquid gasket to the draining plug threads.

***Liquid gasket:***

***Three Bond 1105 (Part No. 004403010)***

***Tightening torque:***

***49.0 N·m (5.0 kgf-m, 36.2 ft-lb)***