

### 14. Transmission Gear Oil

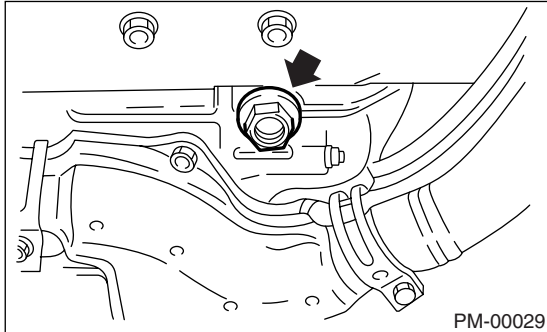
#### A: REPLACEMENT

##### 1. MANUAL TRANSMISSION

1) Drain the gear oil by removing drain plug.

**CAUTION:**

- Before starting work, cool off the transmission gear oil well.
- If transmission gear oil adheres to the exhaust pipe, wipe it off completely.



2) Replace the gasket with new one, and then tighten it to the specified torque.

**Tightening torque:**

**69 N·m (7.0 kgf·m, 50.6 ft·lb)**

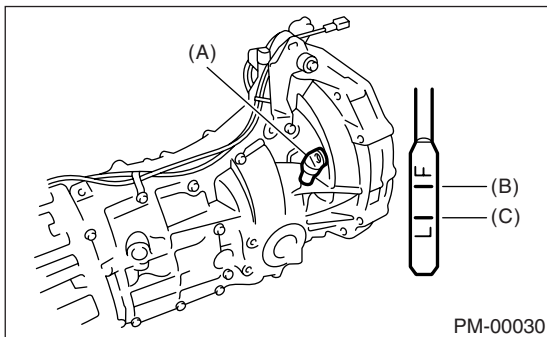
3) Fill transmission gear oil through the oil level gauge hole up to the upper point of level gauge.

**CAUTION:**

Each oil manufacturer has its base oil and additives. Thus, do not mix two or more brands.

**Gear oil capacity:**

**3.5 ℓ (3.7 US qt, 3.1 Imp qt)**



- (A) Oil level gauge
- (B) Upper level
- (C) Lower level