

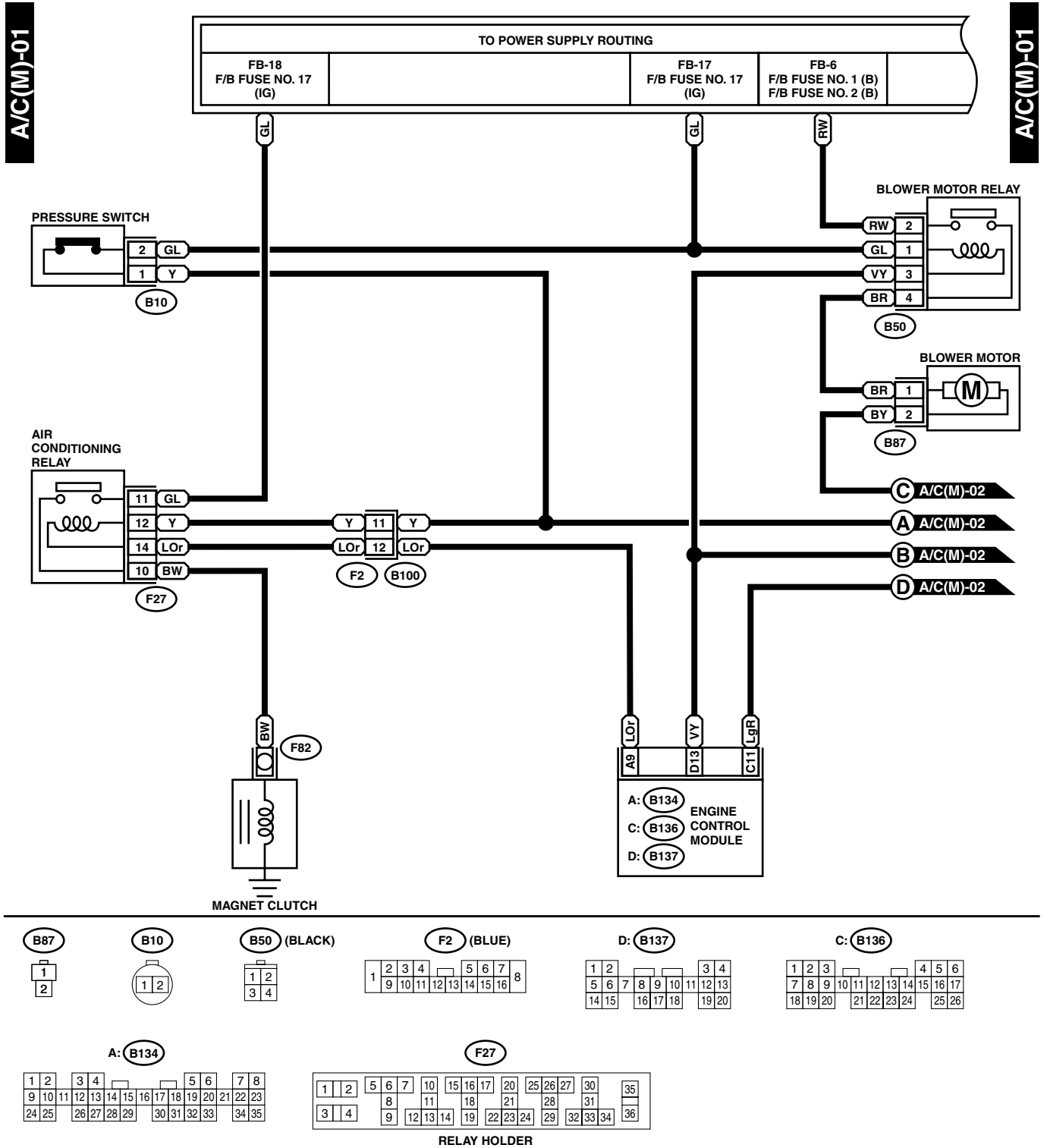
AIR CONDITIONING SYSTEM

WIRING SYSTEM

7. Air Conditioning System

A: SCHEMATIC

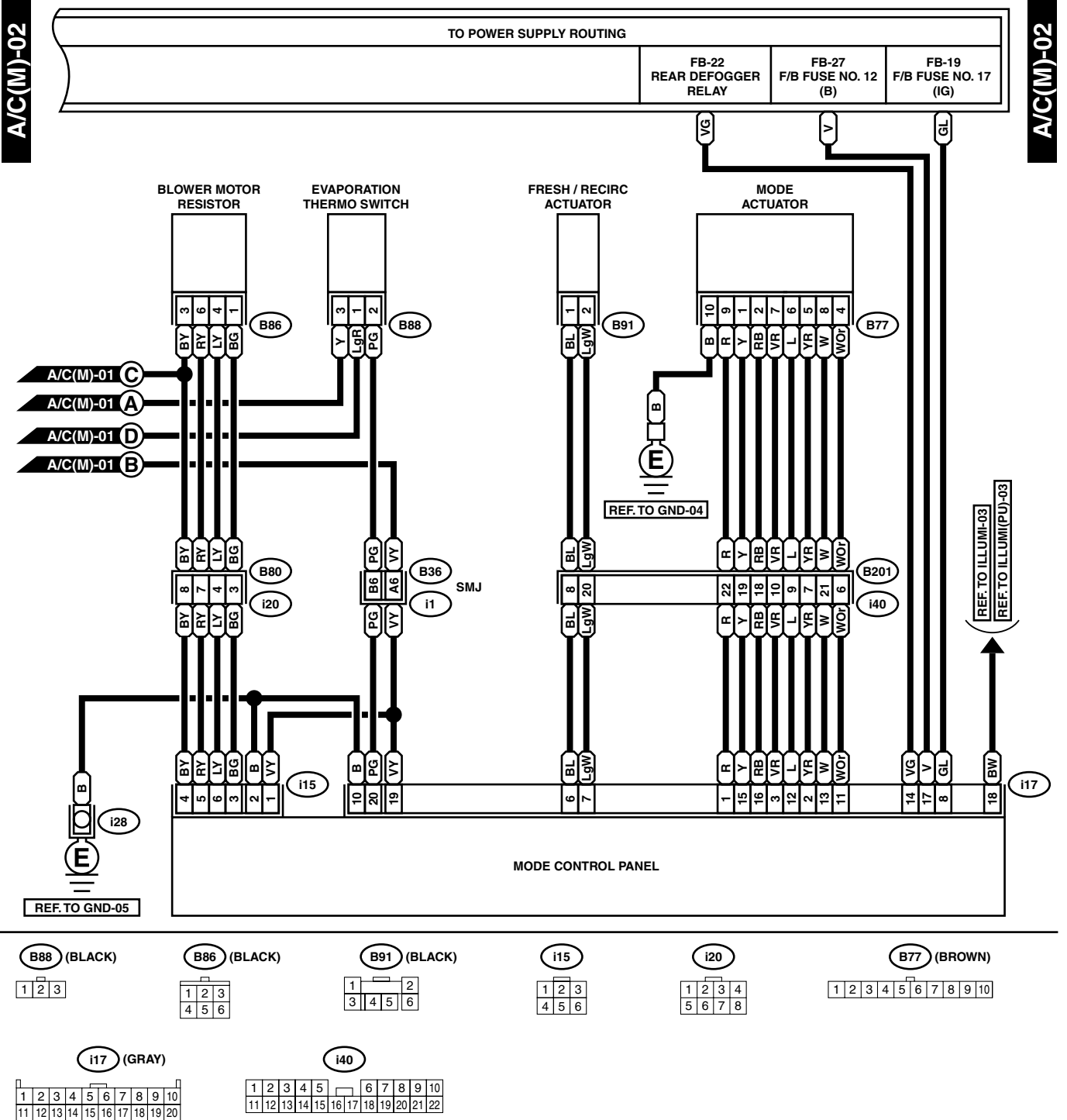
1. EXCEPT U5 MODEL WITH MANUAL A/C



WI-03125

AIR CONDITIONING SYSTEM

WIRING SYSTEM

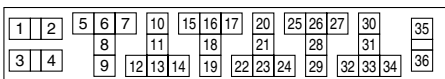
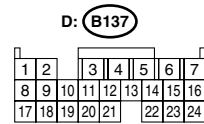
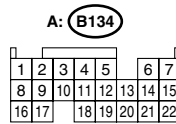
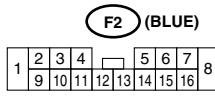
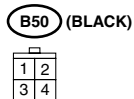
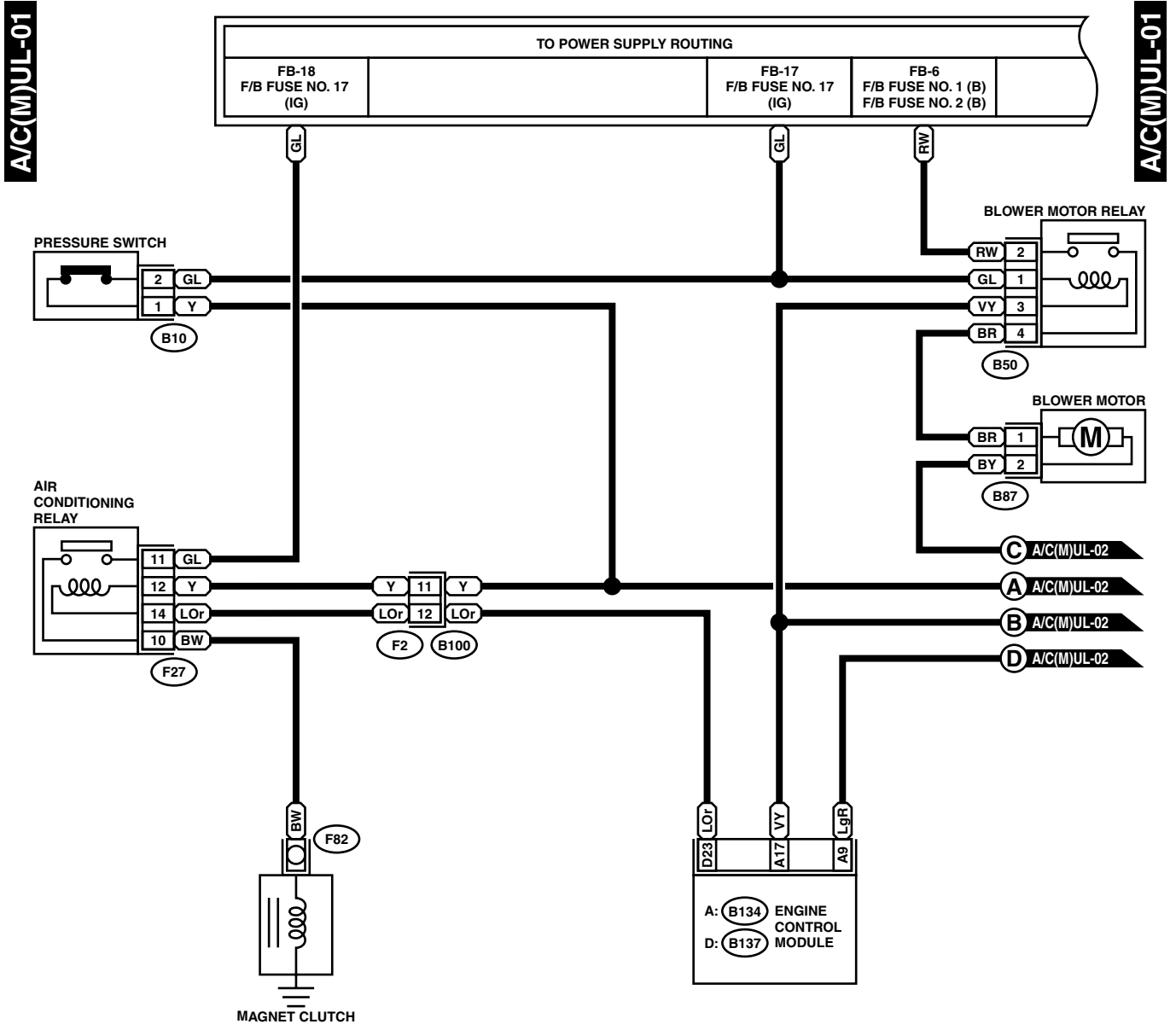


WI-03471

AIR CONDITIONING SYSTEM

WIRING SYSTEM

2. U5 MODEL WITH MANUAL A/C

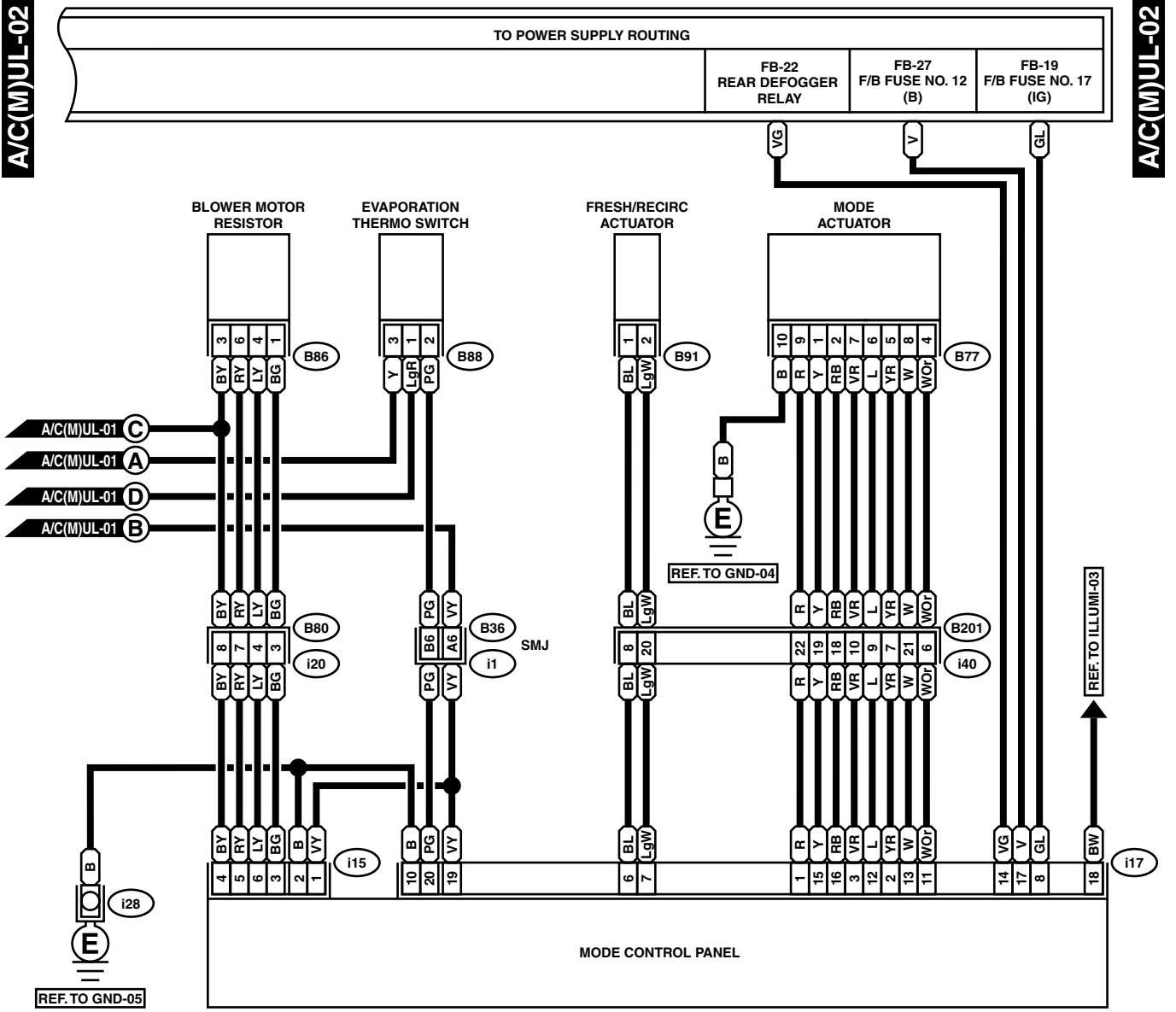


RELAY HOLDER

WI-03126

AIR CONDITIONING SYSTEM

WIRING SYSTEM



(B88) (BLACK)

1	2	3
---	---	---

(B86) (BLACK)

1	2	3
4	5	6

(B91) (BLACK)

1	2
3	4
5	6

(i15)

1	2	3
4	5	6

(i20)

1	2	3	4
5	6	7	8

(B77) (BROWN)

1	2	3	4	5	6	7	8	9	10
---	---	---	---	---	---	---	---	---	----

(i17) (GRAY)

1	2	3	4	5	6	7	8	9	10
11	12	13	14	15	16	17	18	19	20

(i40)

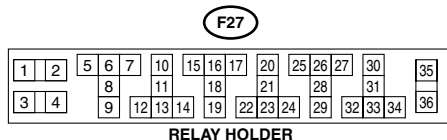
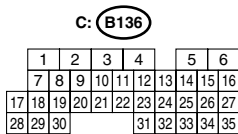
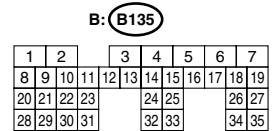
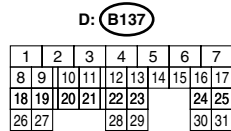
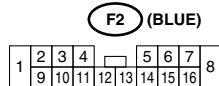
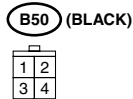
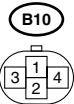
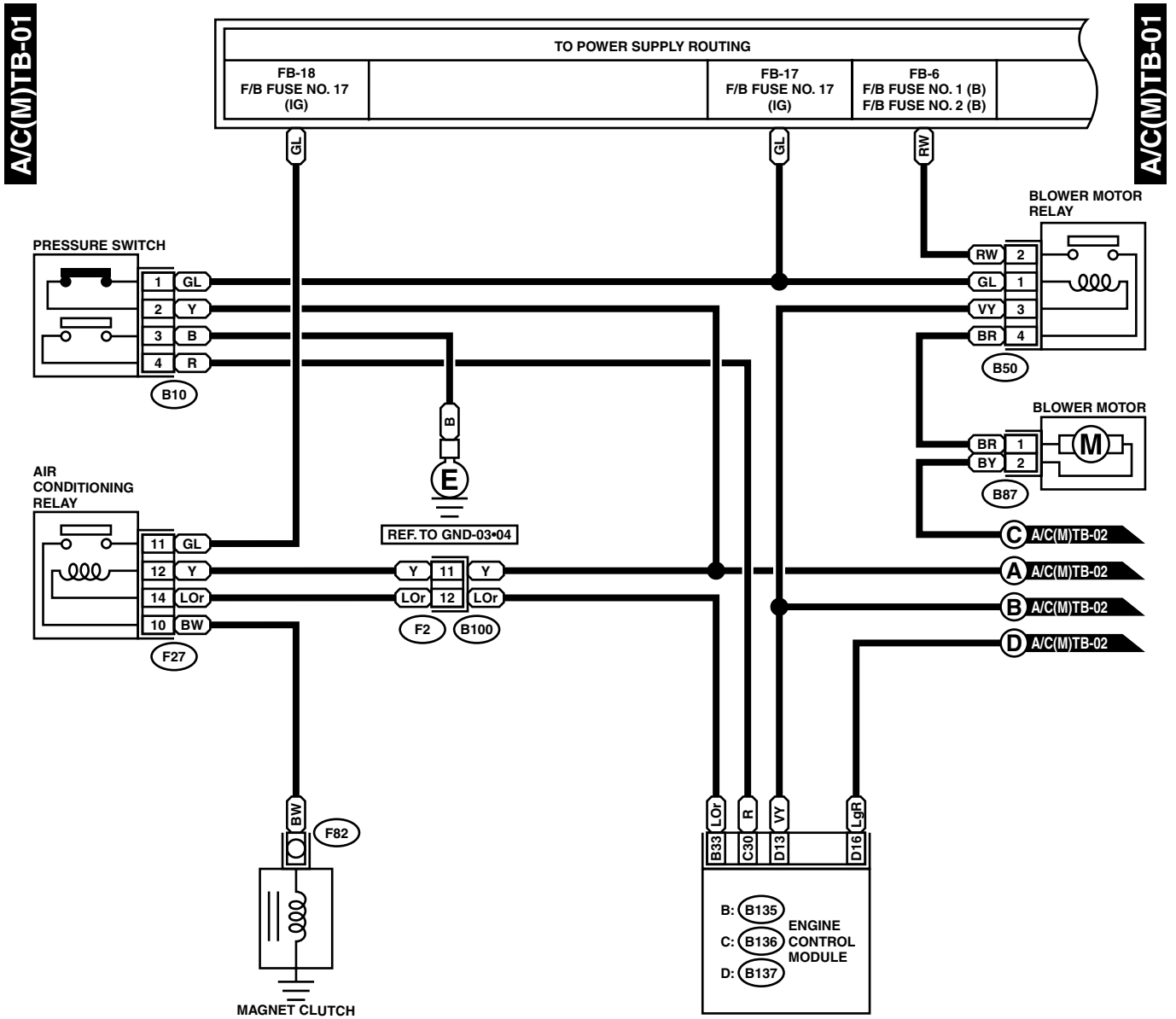
1	2	3	4	5	6	7	8	9	10
11	12	13	14	15	16	17	18	19	20
21	22								

WI-03127

AIR CONDITIONING SYSTEM

WIRING SYSTEM

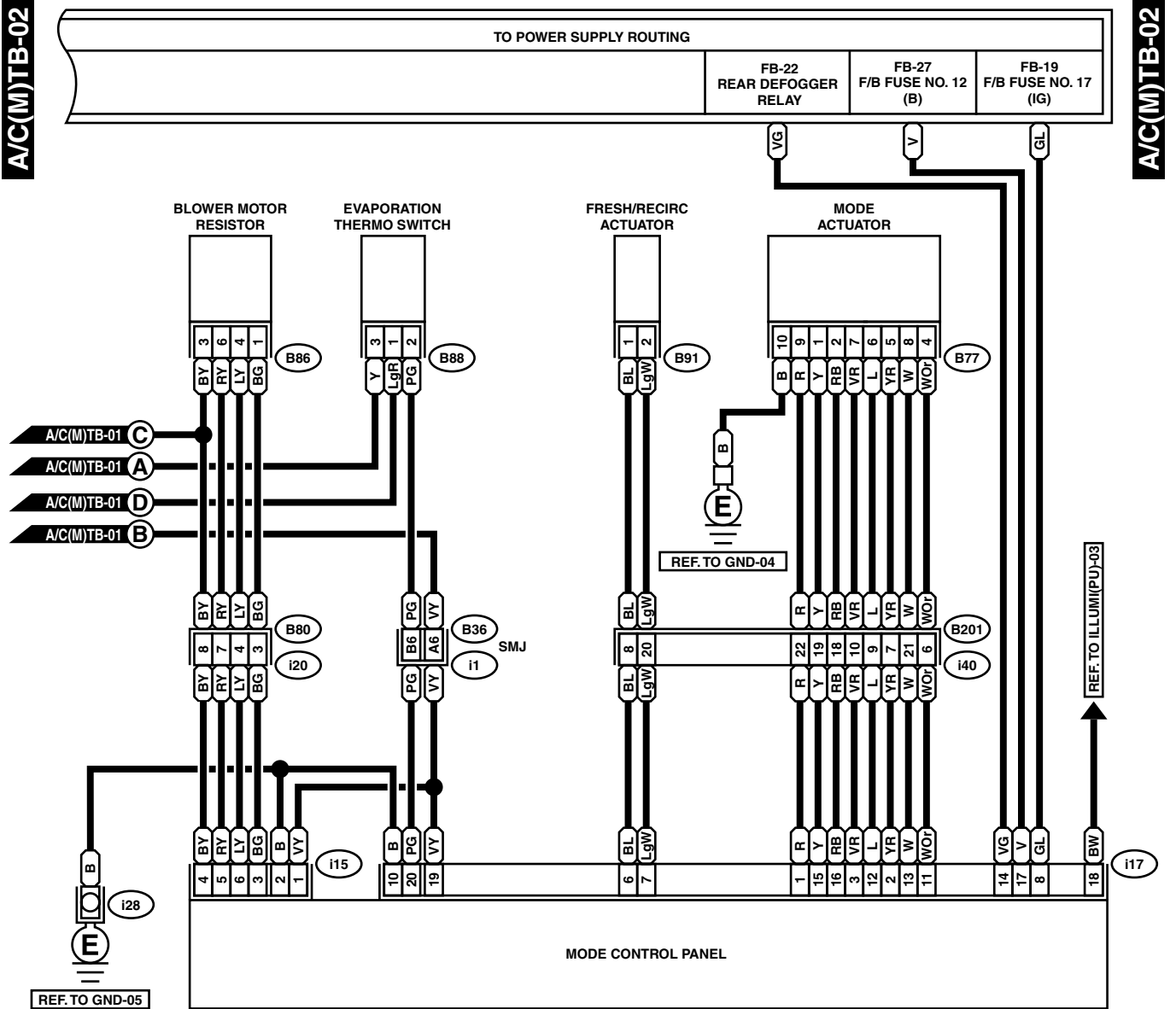
3. TURBO ENGINE WITH A/C



WI-03470

AIR CONDITIONING SYSTEM

WIRING SYSTEM



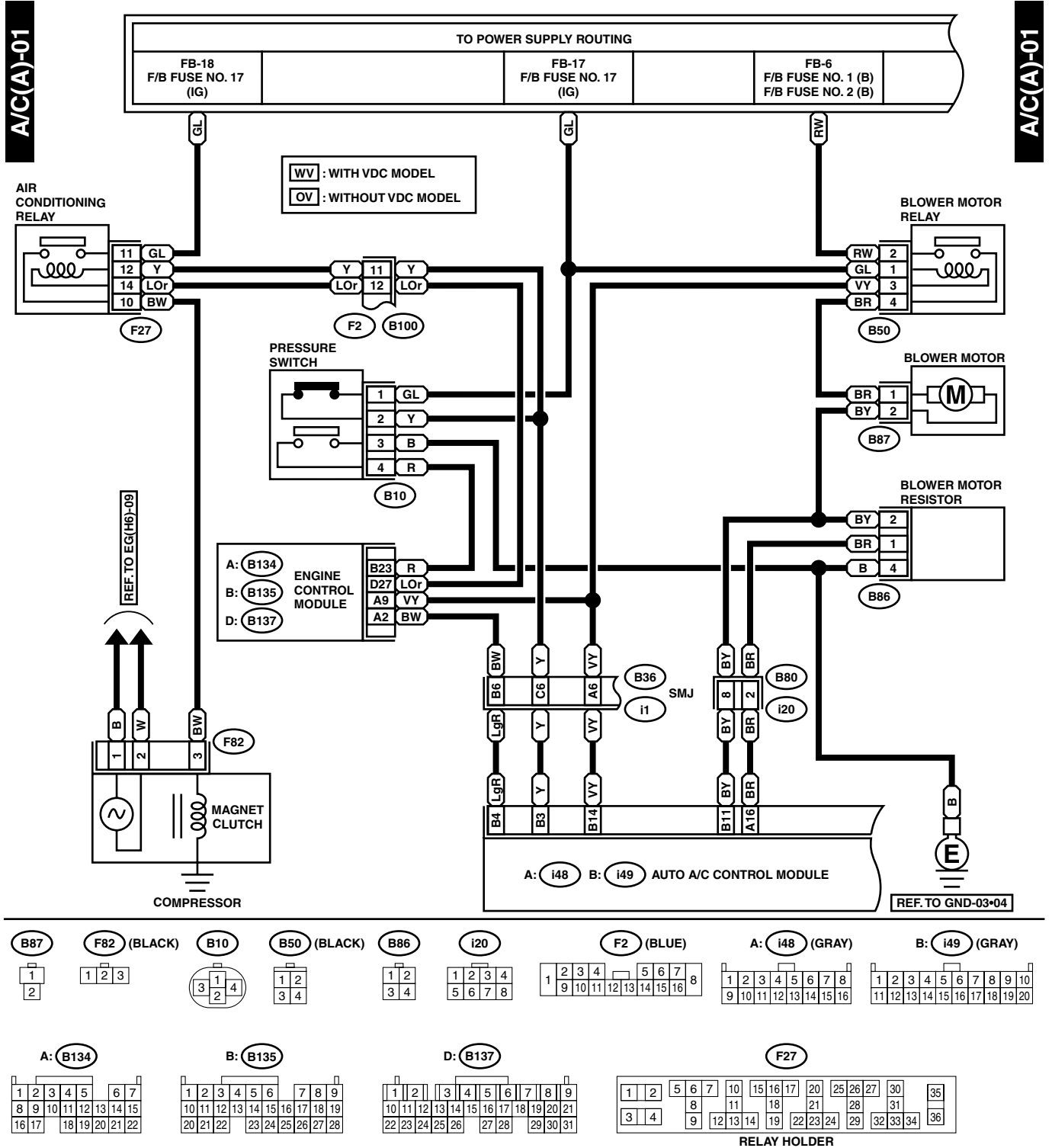
(B88) (BLACK)	(B86) (BLACK)	(B91) (BLACK)	i15	i20	(B77) (BROWN)	i17 (GRAY)																											
1 2 3	1 2 3 4 5 6	1 2 3 4 5 6	1 2 3 4 5 6	1 2 3 4 5 6 7 8	1 2 3 4 5 6 7 8 9 10	1 2 3 4 5 6 7 8 9 10 11 12 13 14 15 16 17 18 19 20																											
<table border="1" style="width: 100%; border-collapse: collapse; text-align: center;"> <tr> <td colspan="5">i40</td> </tr> <tr> <td>1</td><td>2</td><td>3</td><td>4</td><td>5</td><td>6</td><td>7</td><td>8</td><td>9</td><td>10</td> </tr> <tr> <td>11</td><td>12</td><td>13</td><td>14</td><td>15</td><td>16</td><td>17</td><td>18</td><td>19</td><td>20</td><td>21</td><td>22</td> </tr> </table>							i40					1	2	3	4	5	6	7	8	9	10	11	12	13	14	15	16	17	18	19	20	21	22
i40																																	
1	2	3	4	5	6	7	8	9	10																								
11	12	13	14	15	16	17	18	19	20	21	22																						

WI-03128

AIR CONDITIONING SYSTEM

WIRING SYSTEM

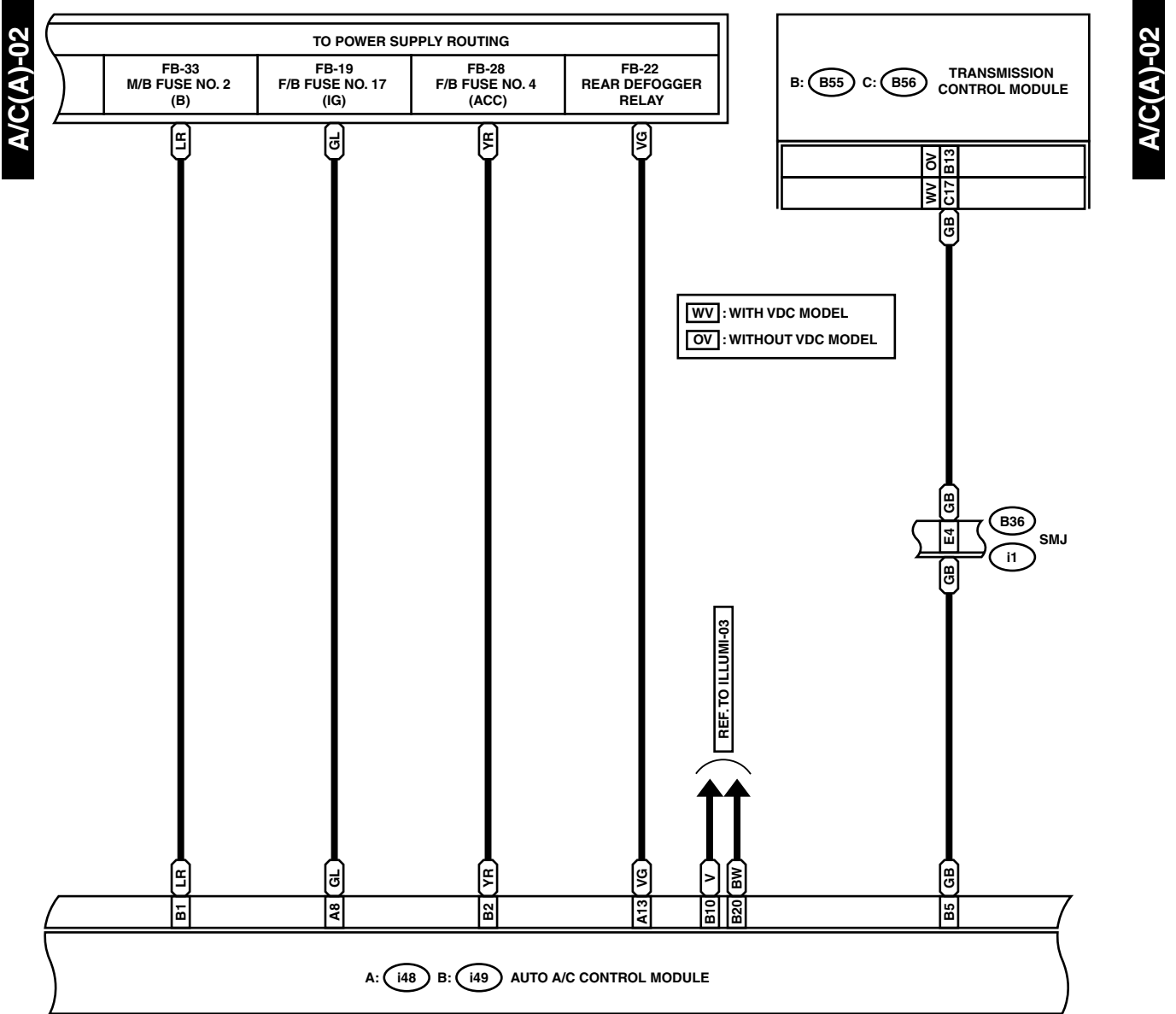
4. WITH AUTO A/C



WI-03472

AIR CONDITIONING SYSTEM

WIRING SYSTEM



A: i48 (GRAY)

1	2	3	4	5	6	7	8
9	10	11	12	13	14	15	16

B: i49 (GRAY)

1	2	3	4	5	6	7	8	9	10
11	12	13	14	15	16	17	18	19	20

B: B55 (GRAY)

1	2	3	4	5	6	7	8	9
10	11	12	13	14	15	16	17	18
19	20	21				22	23	24

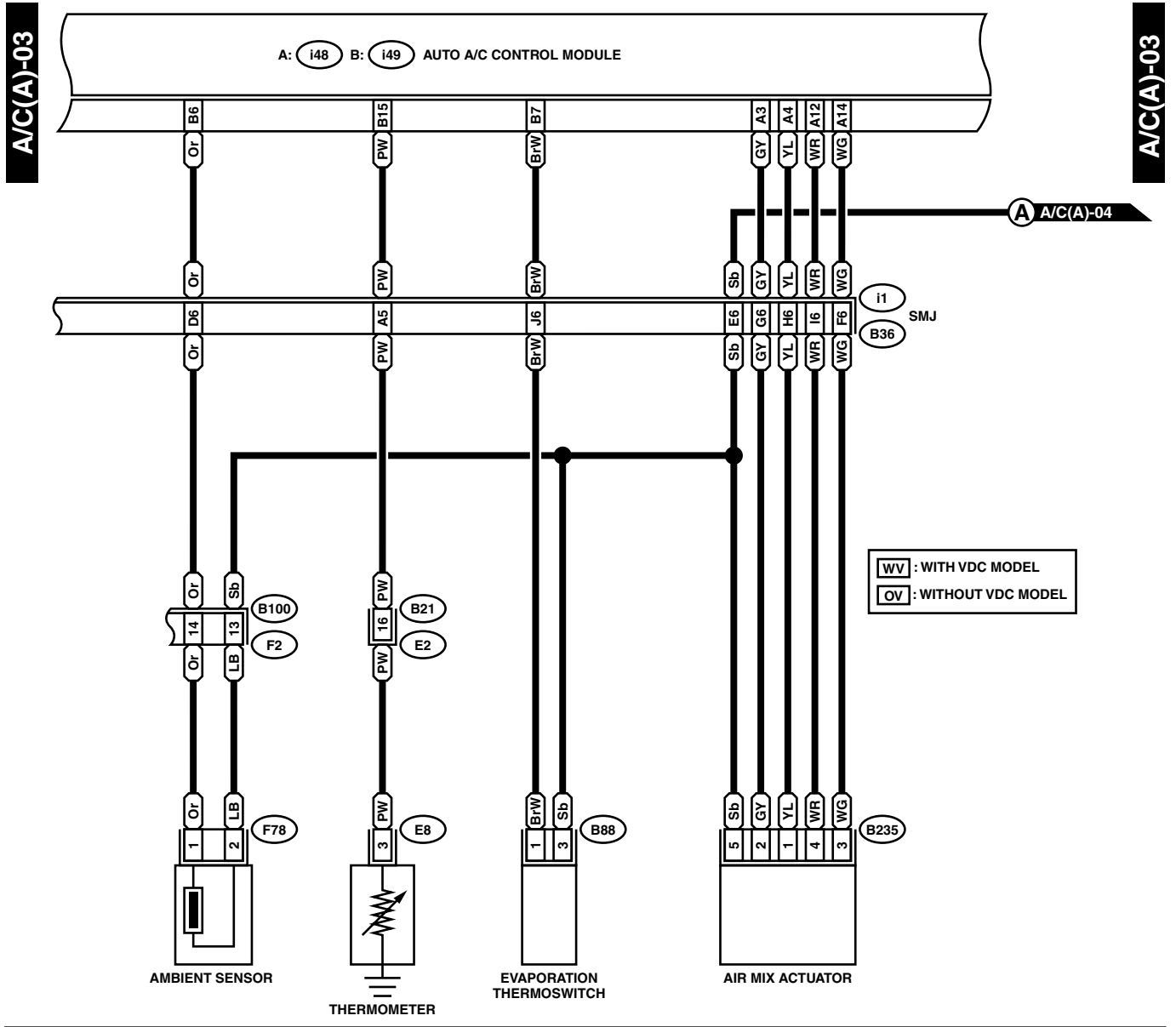
C: B56 (GREEN)

1	2	3	4	5	6	7	8	9
10	11	12	13	14	15	16	17	18
19	20	21				22	23	24

WI-00535

AIR CONDITIONING SYSTEM

WIRING SYSTEM



F78 (BLACK)



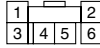
B88 (BLACK)



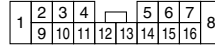
E8 (LIGHT GRAY)



B235 (BLACK)



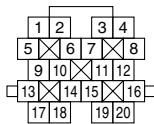
F2 (BLUE)



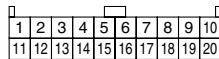
A: i48 (BLACK)



B21 (GRAY)



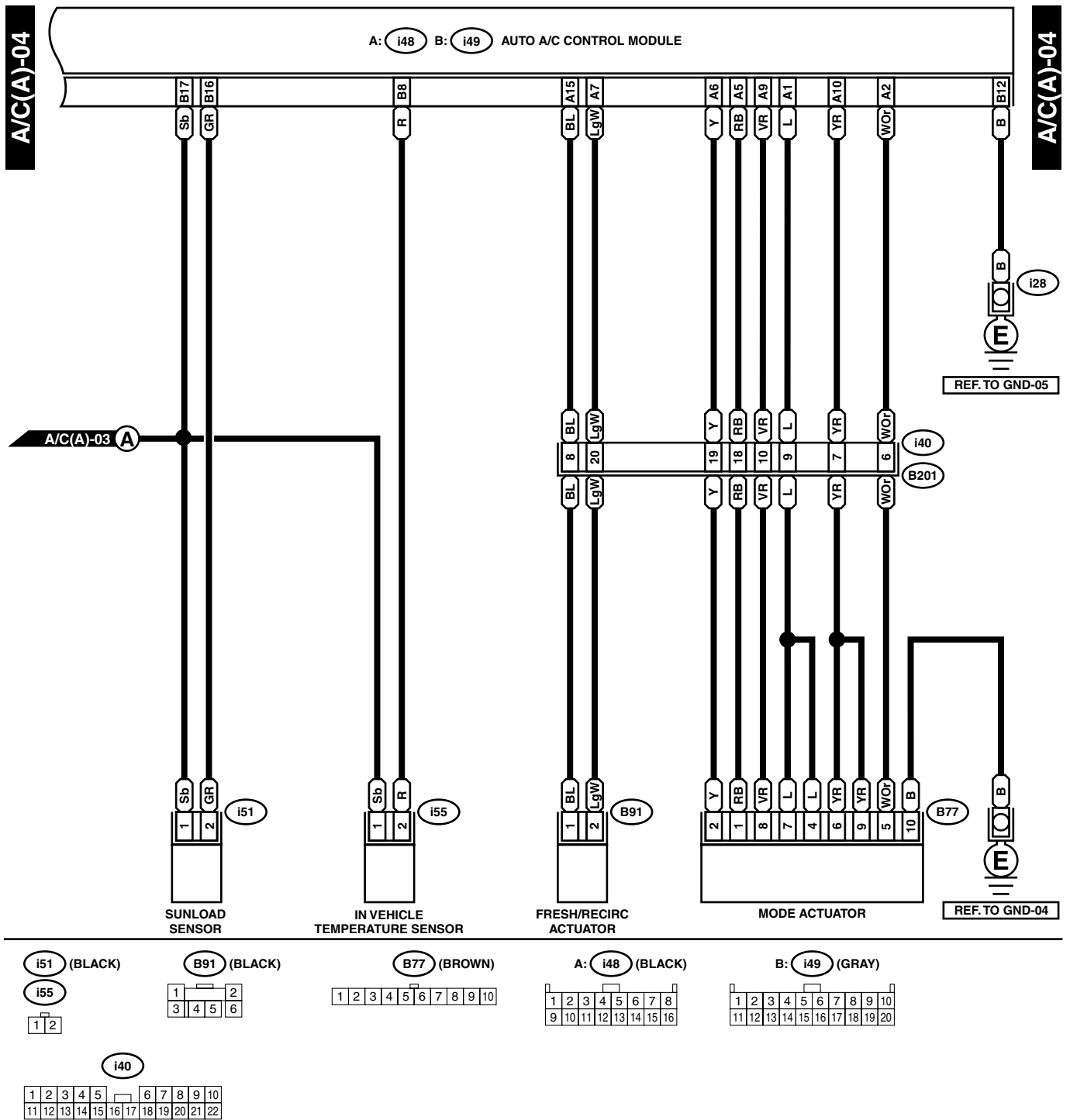
B: i49 (GRAY)



WI-00536

AIR CONDITIONING SYSTEM

WIRING SYSTEM



WI-00537