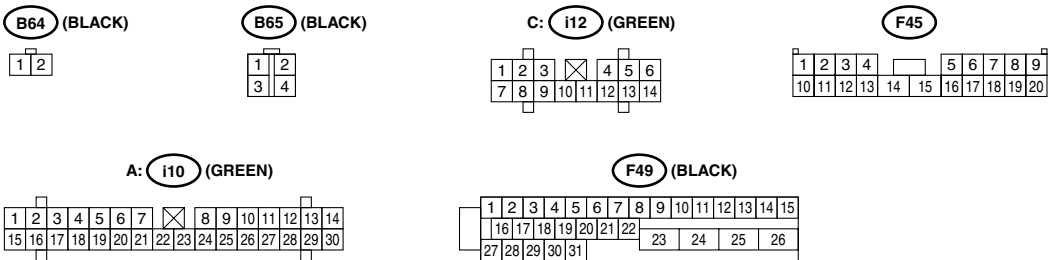
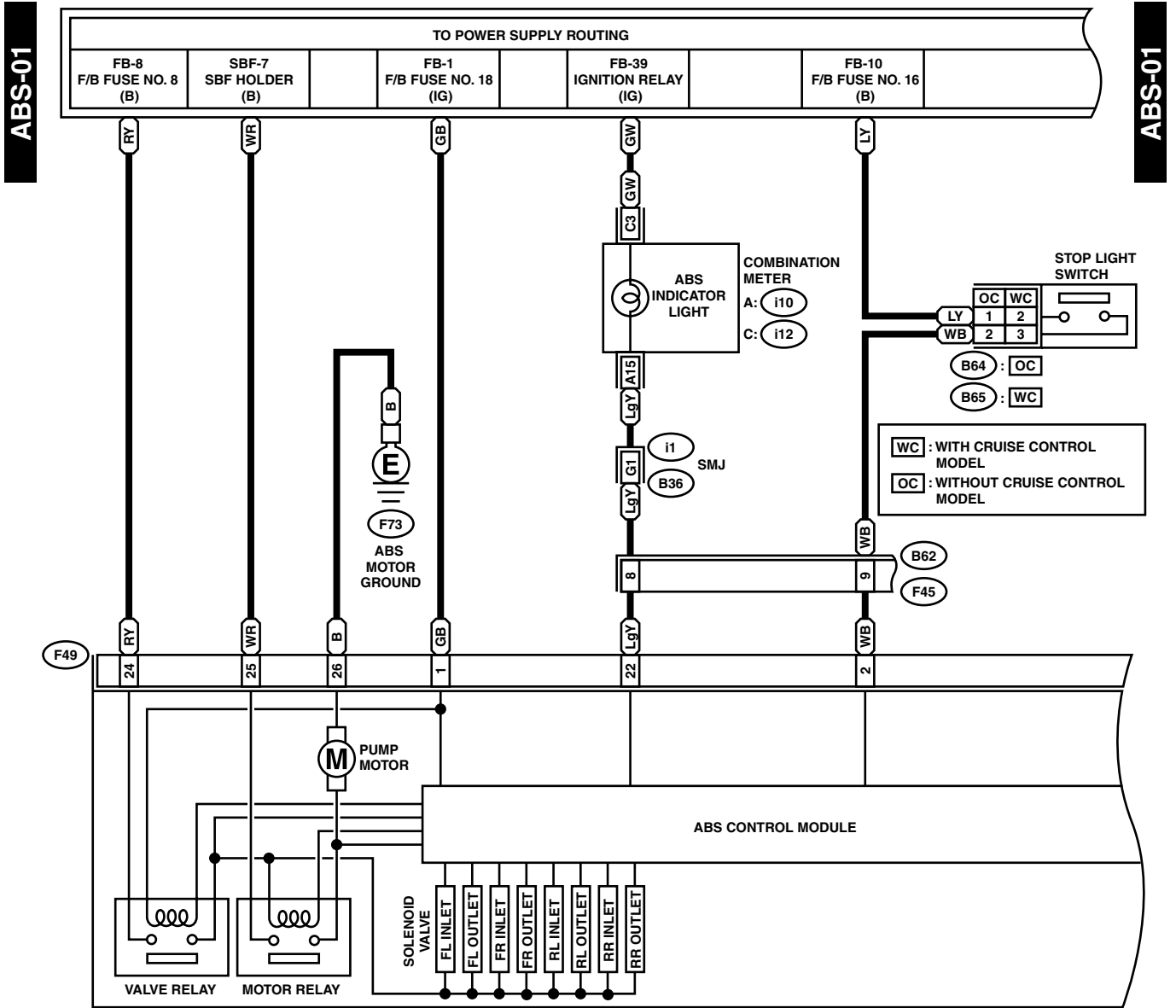


ANTI-LOCK BRAKE SYSTEM

WIRING SYSTEM

8. Anti-lock Brake System A: SCHEMATIC



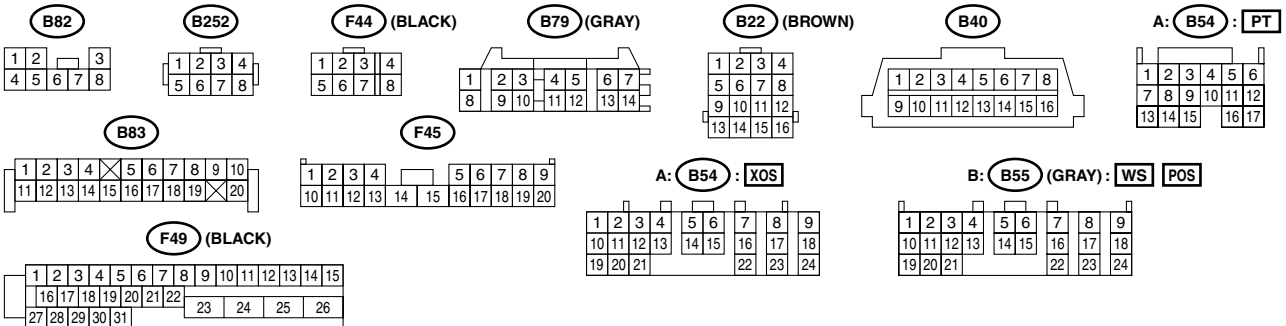
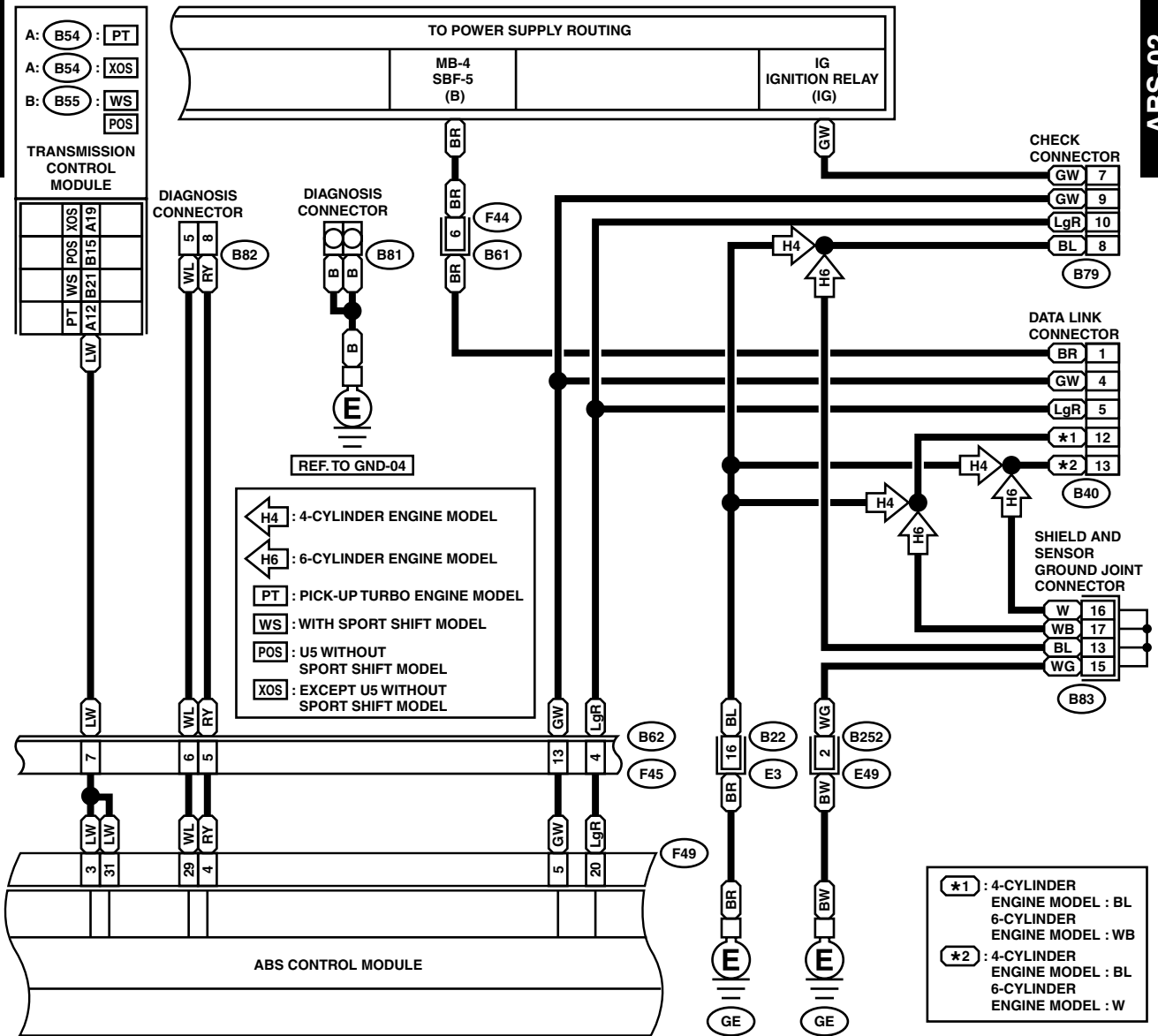
WI-00538

ANTI-LOCK BRAKE SYSTEM

WIRING SYSTEM

ABS-02

ABS-02



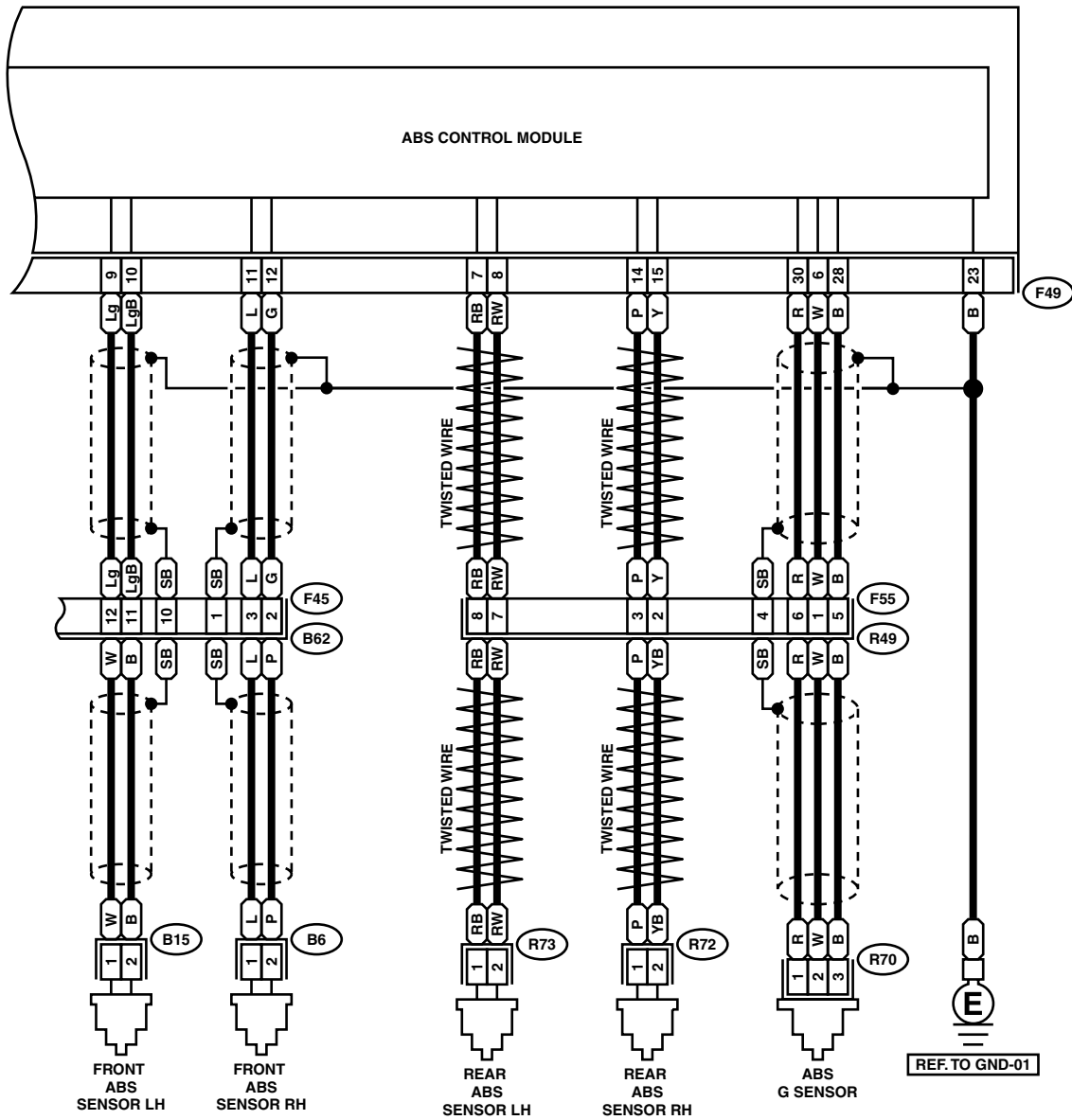
WI-03473

ANTI-LOCK BRAKE SYSTEM

WIRING SYSTEM

ABS-03

ABS-03



B6 : (*1)

R70 (BLACK)

F55

F45

F49 (BLACK)

B15 : (*1)

1	2	3
---	---	---

1		2	3
4	5	6	7

1	2	3	4		5	6	7	8	9
10	11	12	13	14	15	16	17	18	19

1	2	3	4	5	6	7	8	9	10	11	12	13	14	15
16	17	18	19	20	21	22		23	24	25	26			
27	28	29	30	31										

R72 (GRAY)

R73 (GRAY)

2	1
---	---

(*1) : OUT BACK, PICK-UP &
6-CYLINDER ENGINE MODEL : (BROWN)
OTHER MODELS : (GRAY)

WI-03474

ANTI-LOCK BRAKE SYSTEM

WIRING SYSTEM

MEMO: