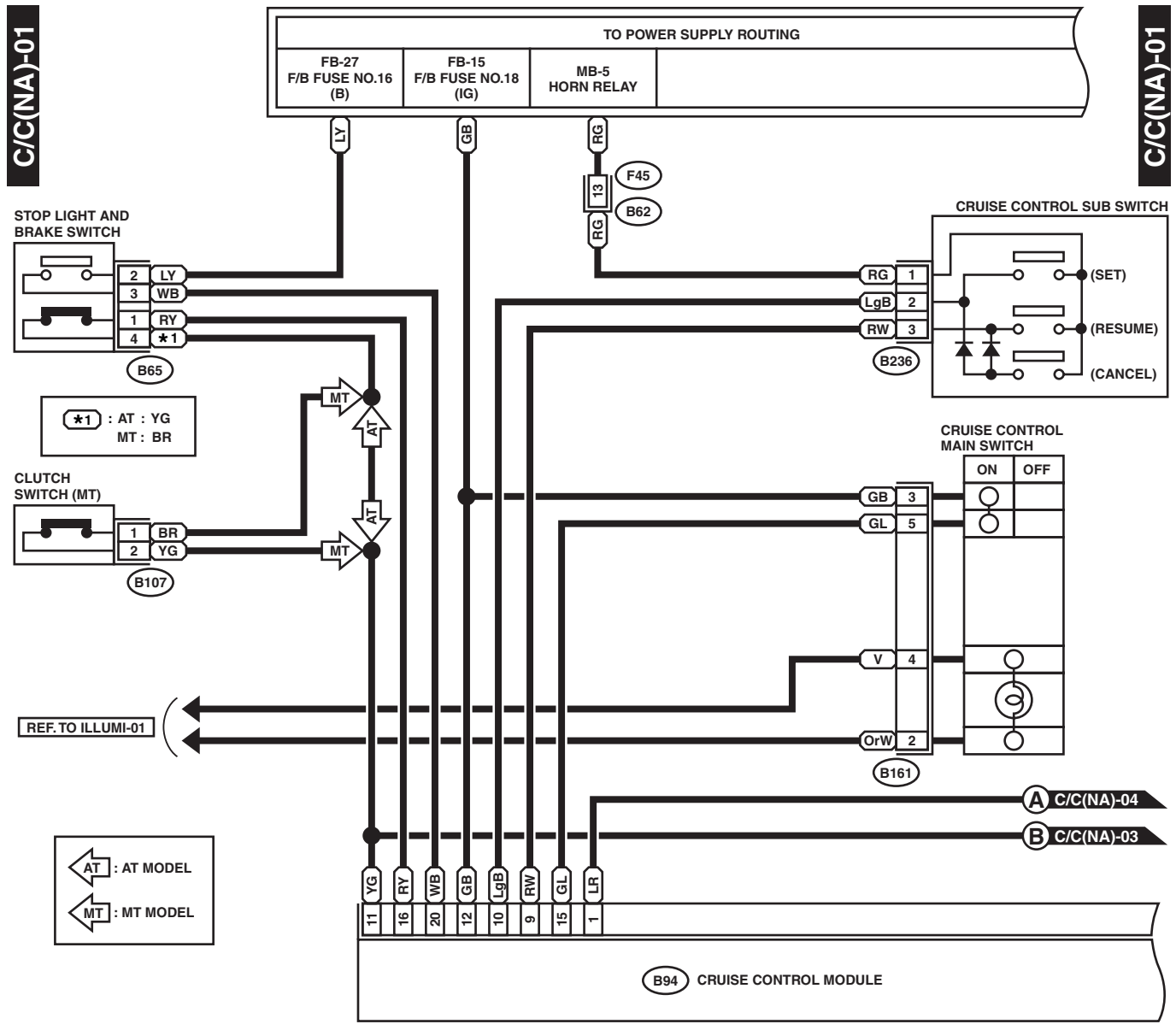


15. Cruise Control System

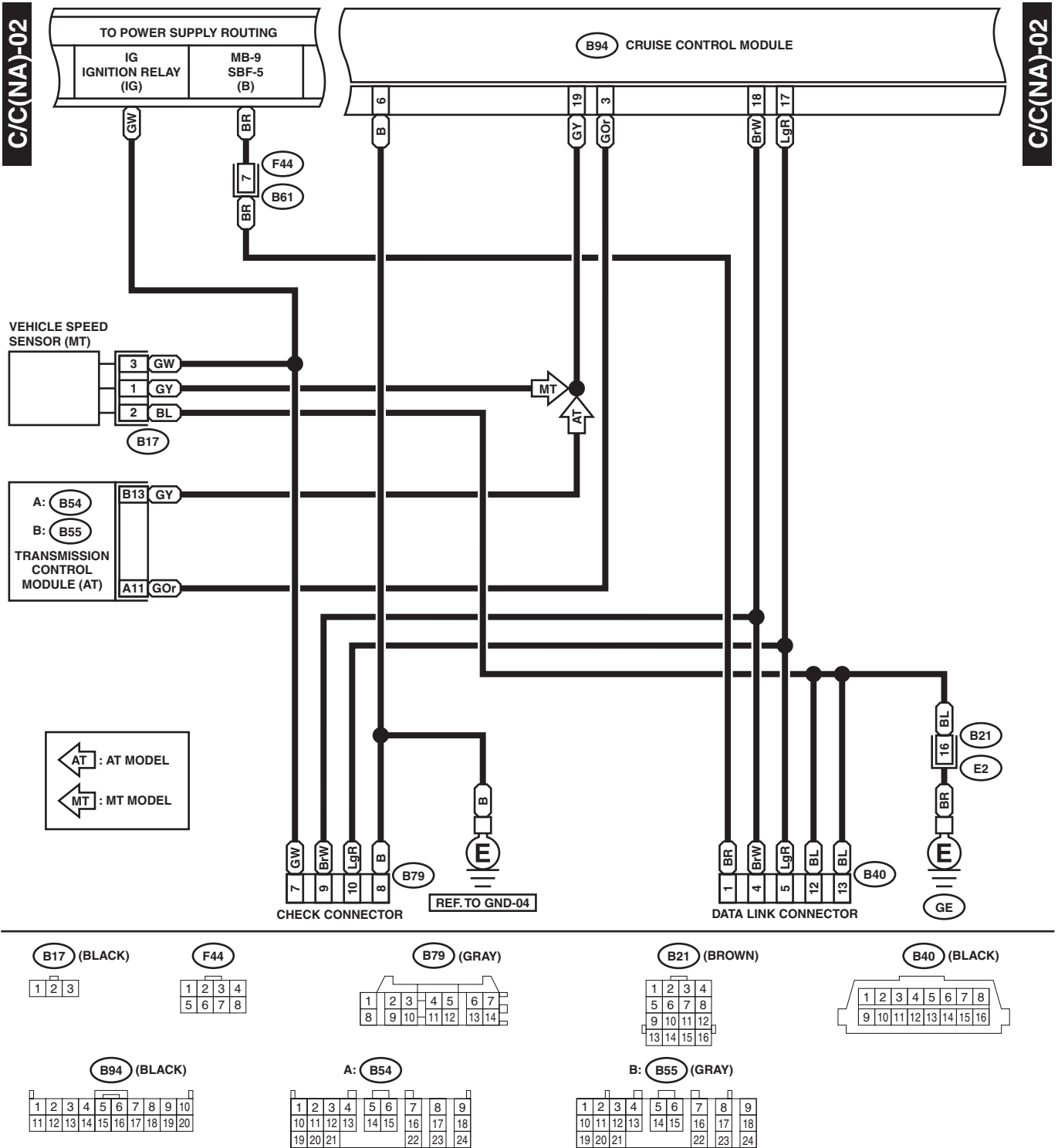
A: WIRING DIAGRAM

1. NON-TURBO MODEL



CRUISE CONTROL SYSTEM

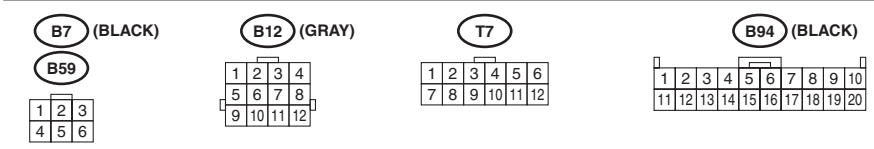
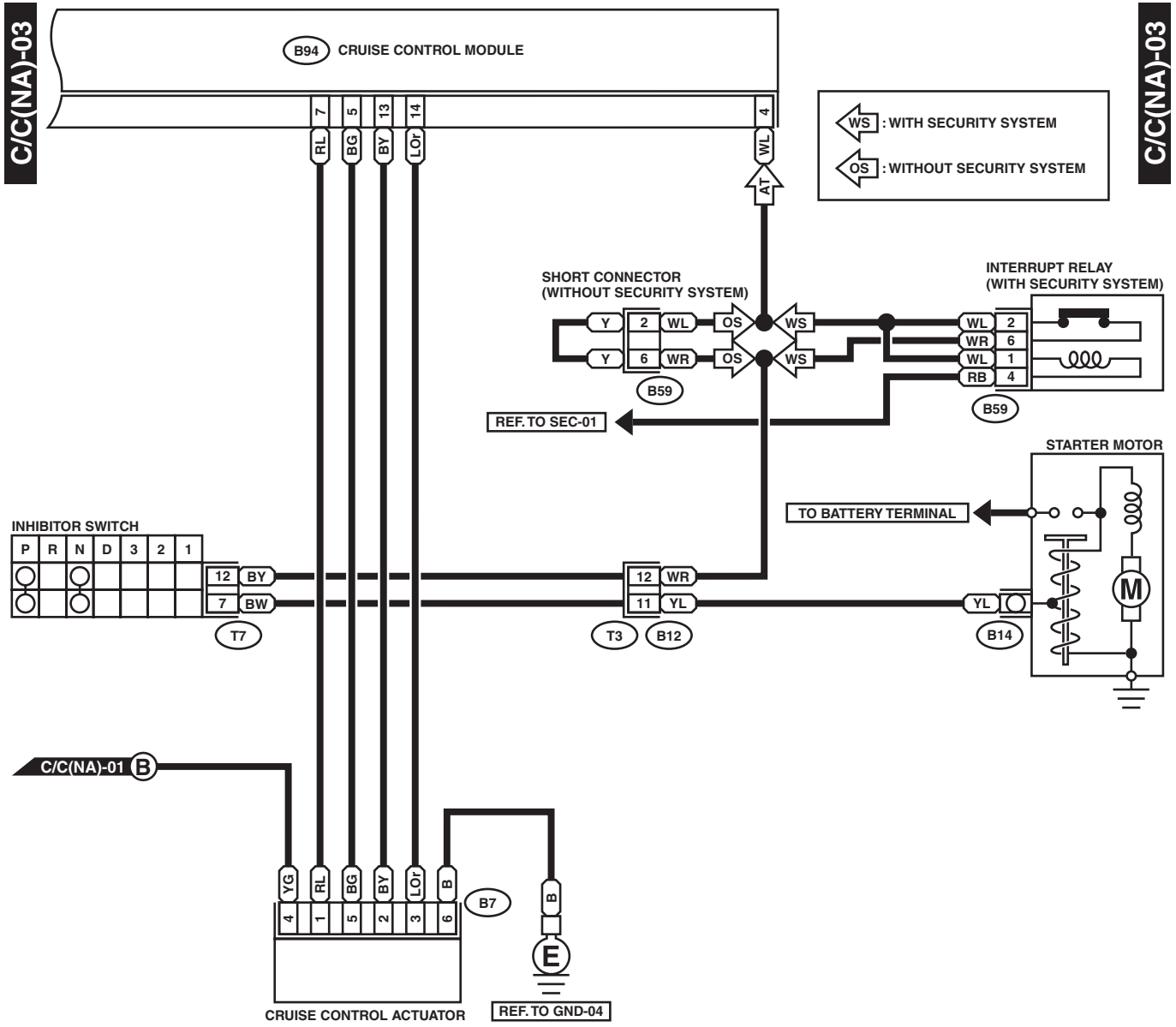
WIRING SYSTEM



WI-03028

CRUISE CONTROL SYSTEM

WIRING SYSTEM



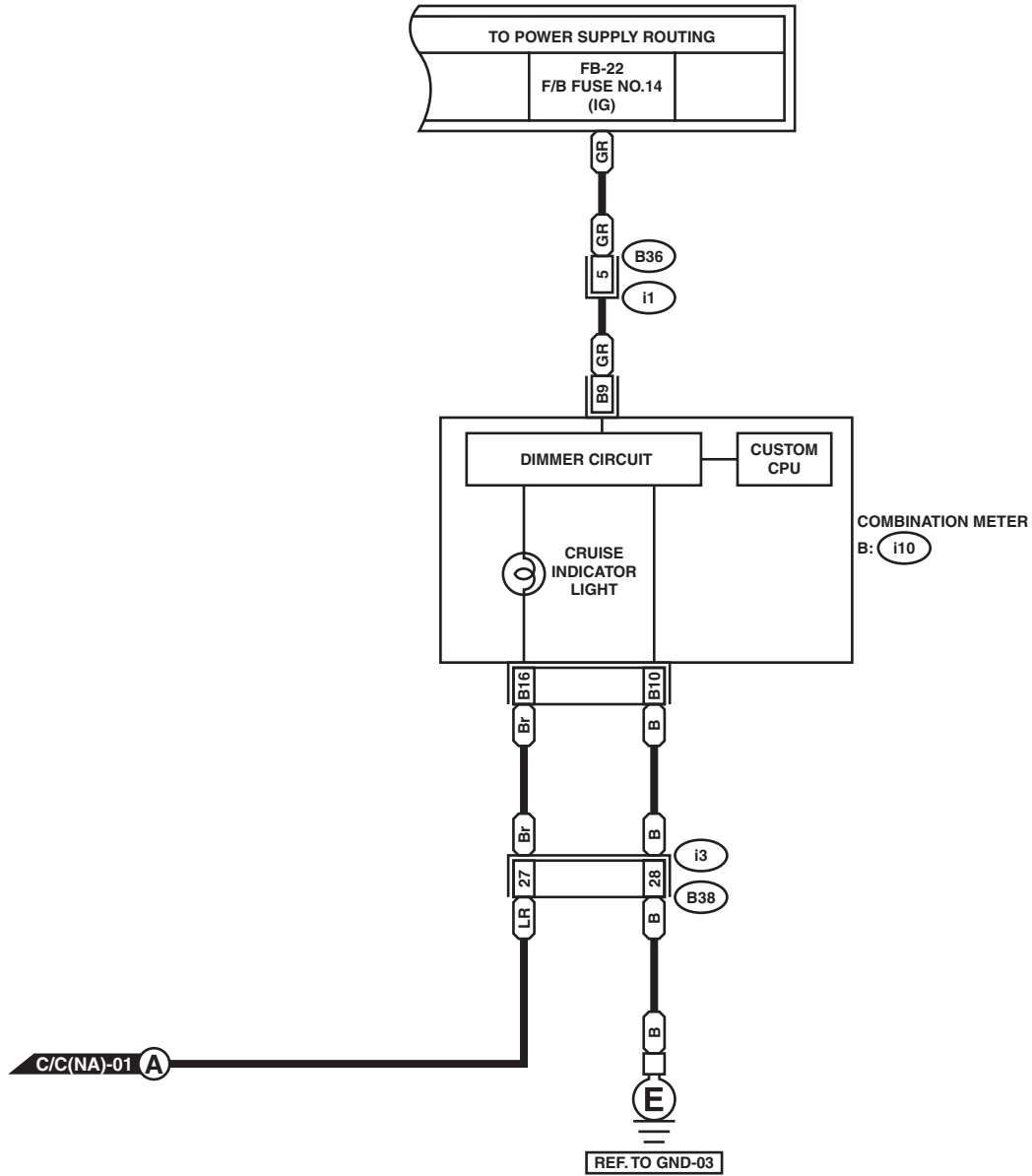
WI-03029

CRUISE CONTROL SYSTEM

WIRING SYSTEM

C/C(NA)-04

C/C(NA)-04



B36

1	2	3	4	5	6	7	8	9	10	11		
12	13	14	15	16	17	18	19	20	21	22	23	24

B: i10 (GREEN)

1	2	3	4	5	6	7	8	9	10	11	12	13	14		
15	16	17	18	19	20	21	22	23	24	25	26	27	28	29	30

B38

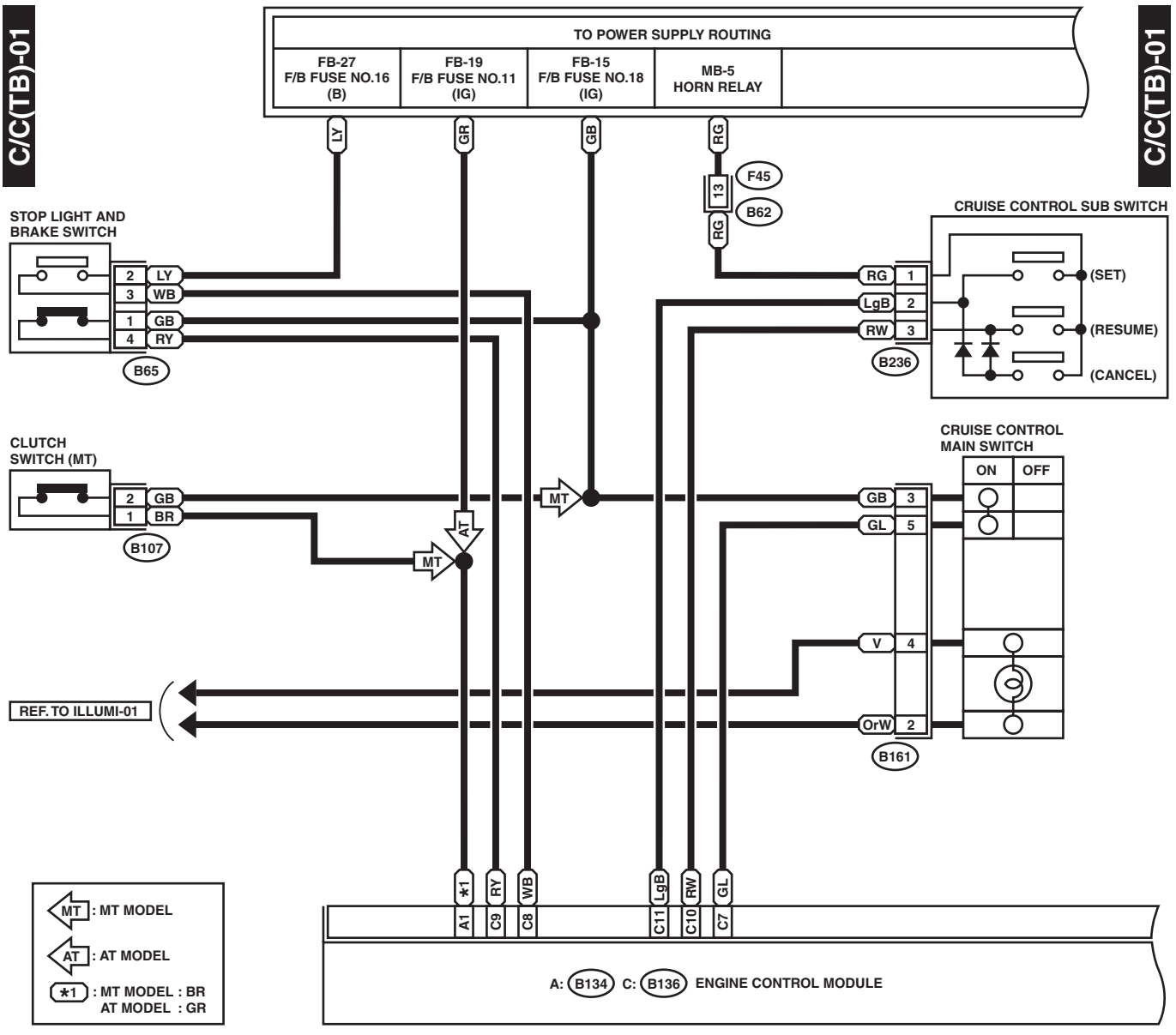
1	2	3	4	5	6	7	8	9			
10	11	12	13	14	15	16	17	18	19	20	21
22	23	24	25	26	27	28	29	30	31	32	

WI-03030

CRUISE CONTROL SYSTEM

WIRING SYSTEM

2. TURBO MODEL



B107 (BLUE)



B65 (BLACK)



B236 (BLACK)



B161 (BROWN)



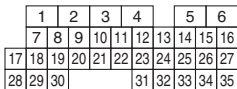
F45



A: B134



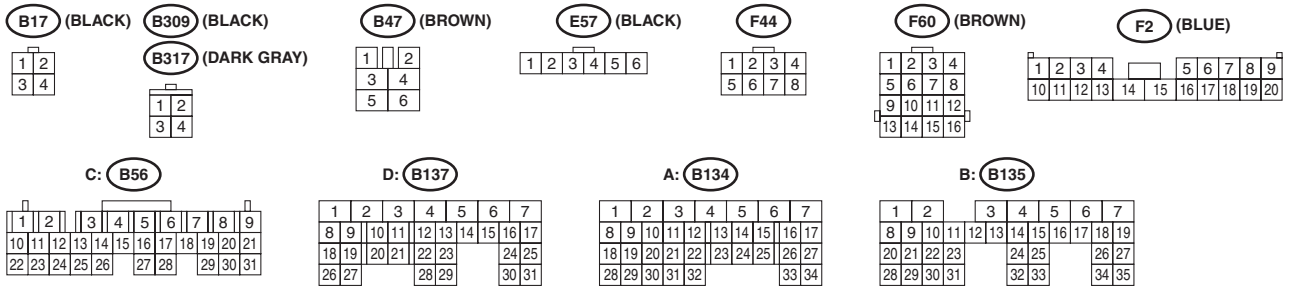
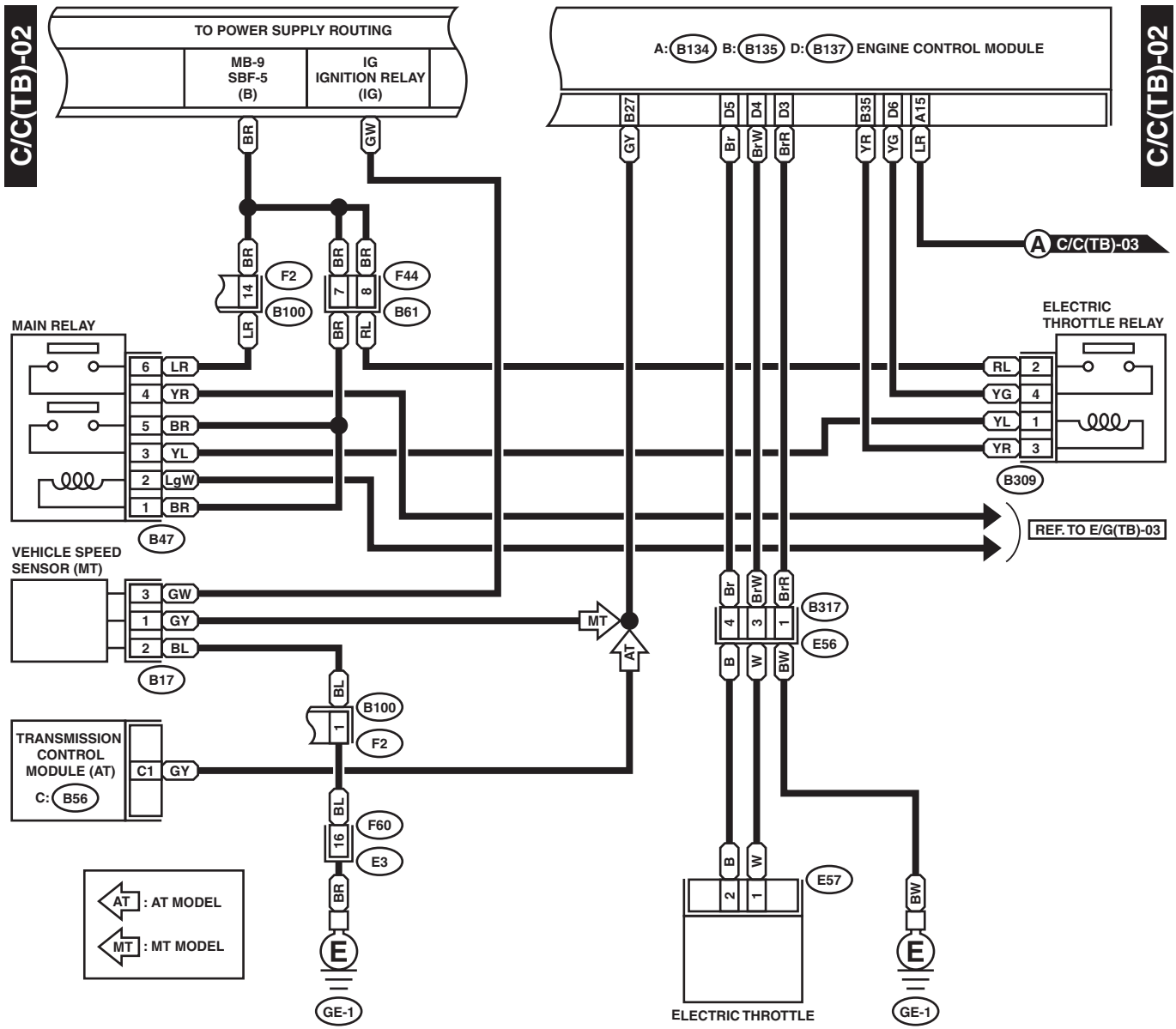
C: B136



WI-03031

CRUISE CONTROL SYSTEM

WIRING SYSTEM



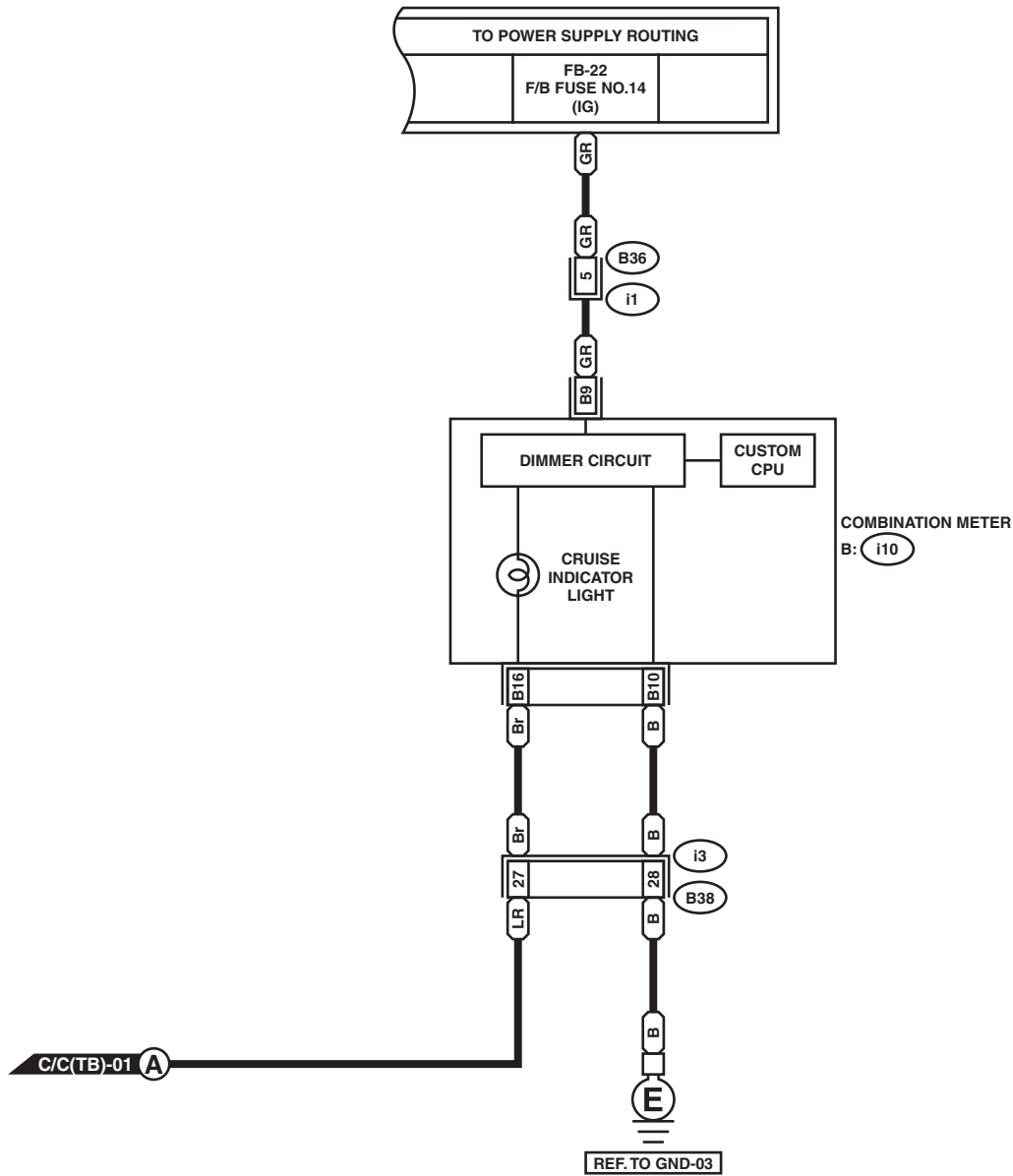
WI-03032

CRUISE CONTROL SYSTEM

WIRING SYSTEM

C/C(TB)-03

C/C(TB)-03



B36

1	2	3	4	5	6	7	8	9	10	11		
12	13	14	15	16	17	18	19	20	21	22	23	24

B: i10 (GREEN)

1	2	3	4	5	6	7	8	9	10	11	12	13	14		
15	16	17	18	19	20	21	22	23	24	25	26	27	28	29	30

B38

1	2	3	4	5	6	7	8	9			
10	11	12	13	14	15	16	17	18	19	20	21
22	23	24	25	26	27	28	29	30	31	32	

WI-03033