

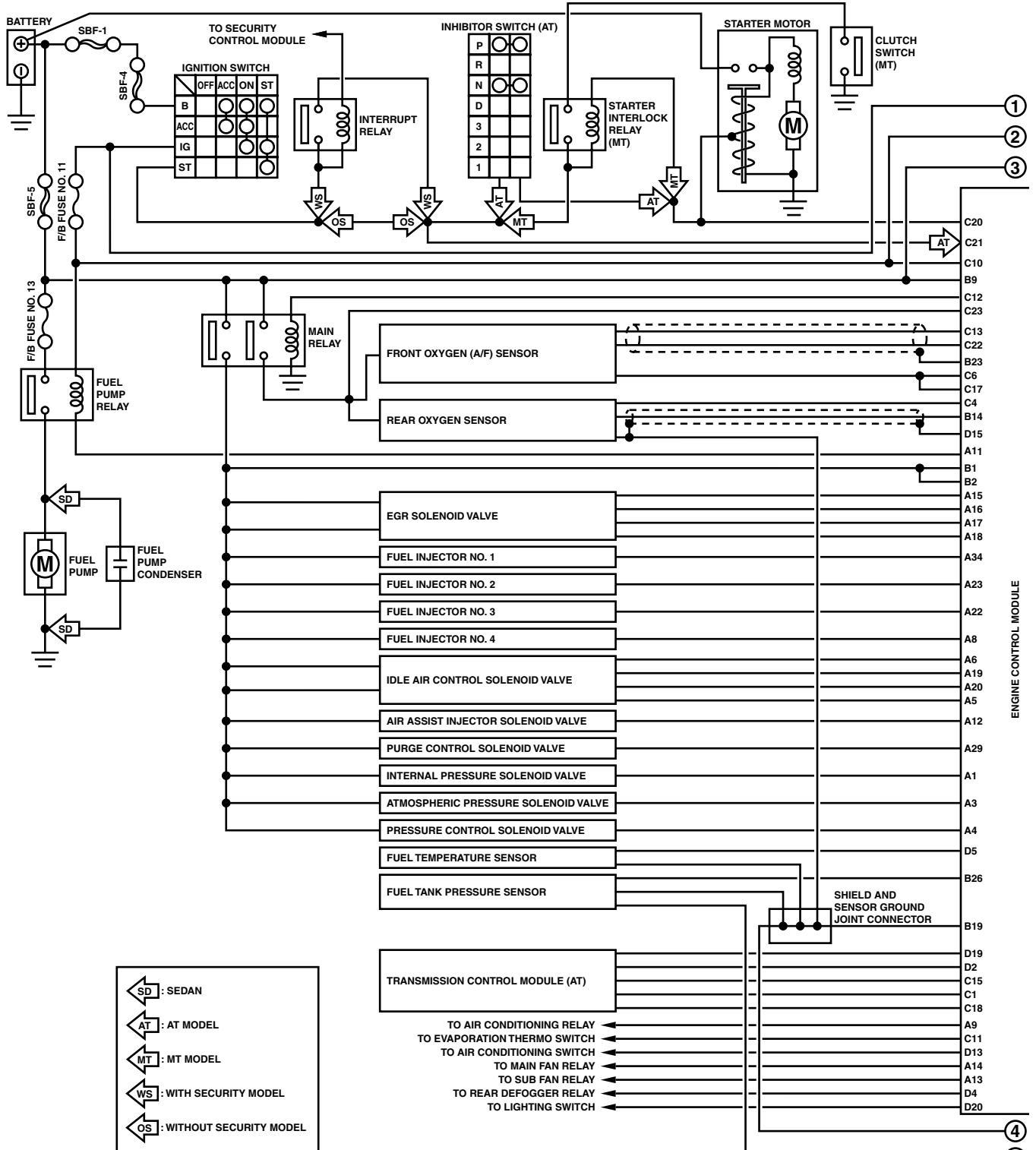
# ENGINE ELECTRICAL SYSTEM

WIRING SYSTEM

## 17.Engine Electrical System

### A: SCHEMATIC

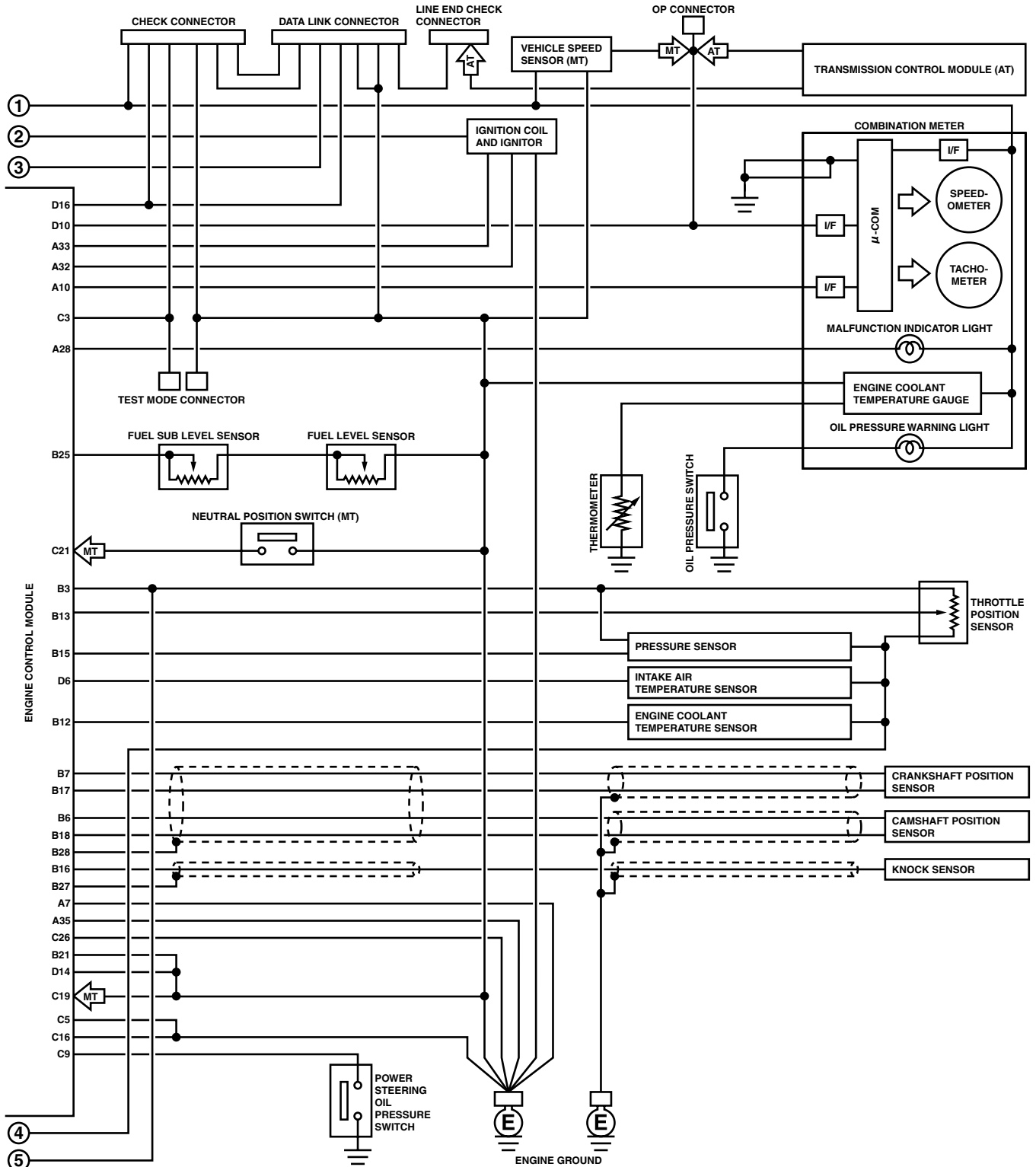
#### 1. EXCEPT 4-CYLINDER ENGINE U5 MODEL



WI-03518

# ENGINE ELECTRICAL SYSTEM

WIRING SYSTEM



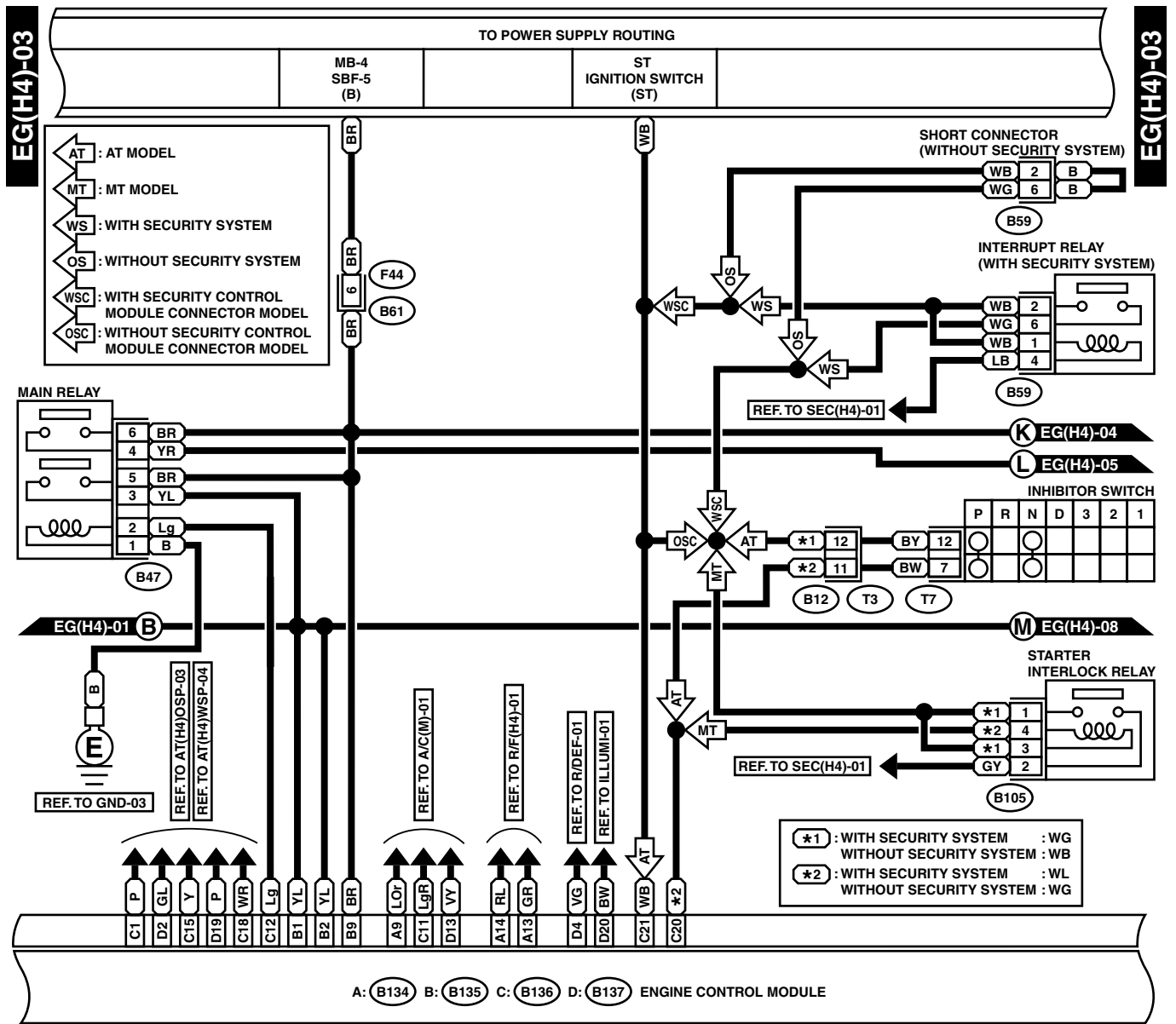
WI-03519





# ENGINE ELECTRICAL SYSTEM

WIRING SYSTEM



B105



B47 (BROWN)



B59



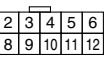
F44 (BLACK)



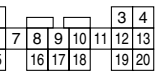
B12 (BLACK)



T7



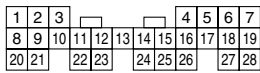
D: B137



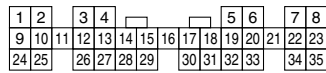
C: B136



B: B135



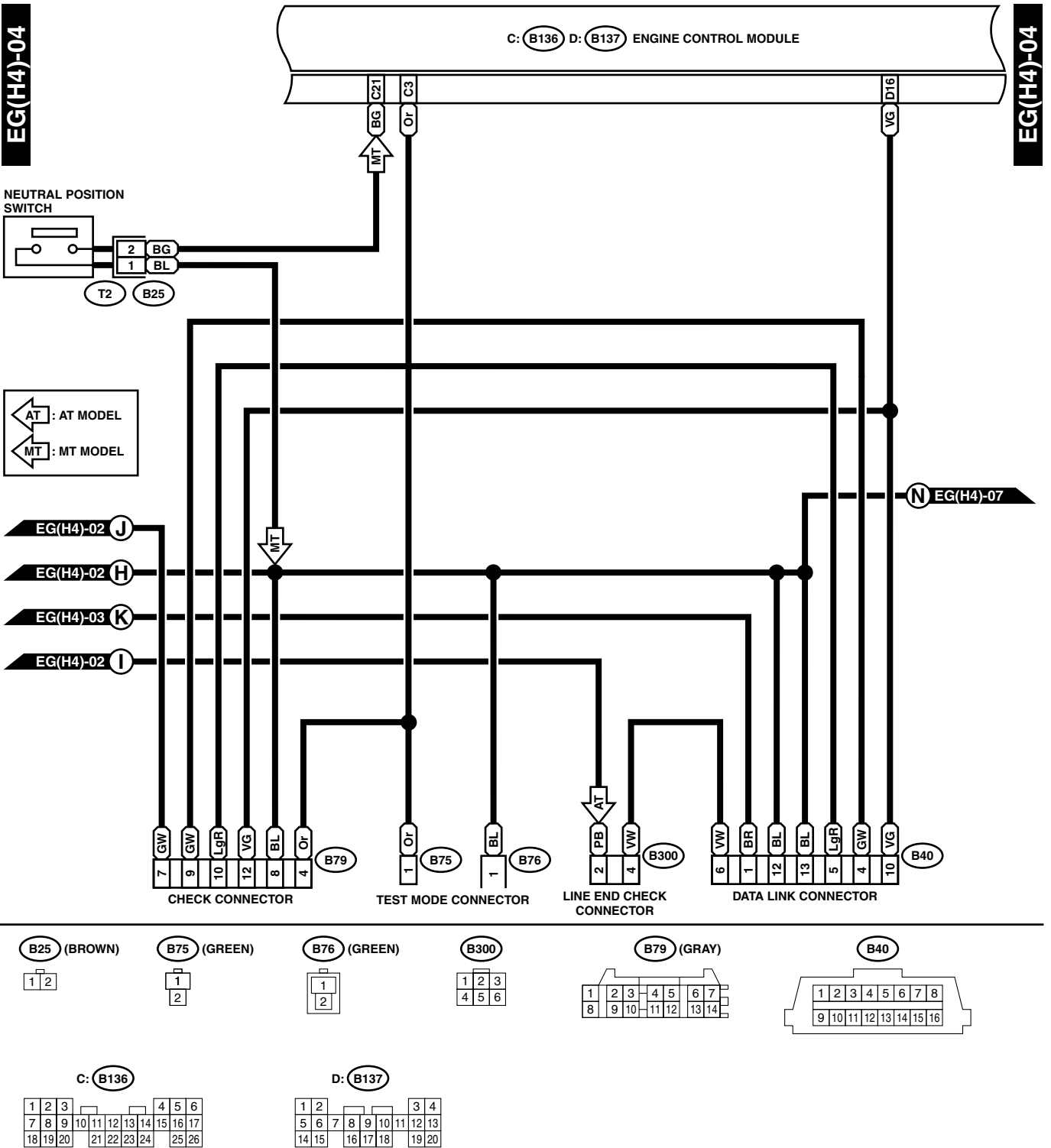
A: B134



WI-03522

# ENGINE ELECTRICAL SYSTEM

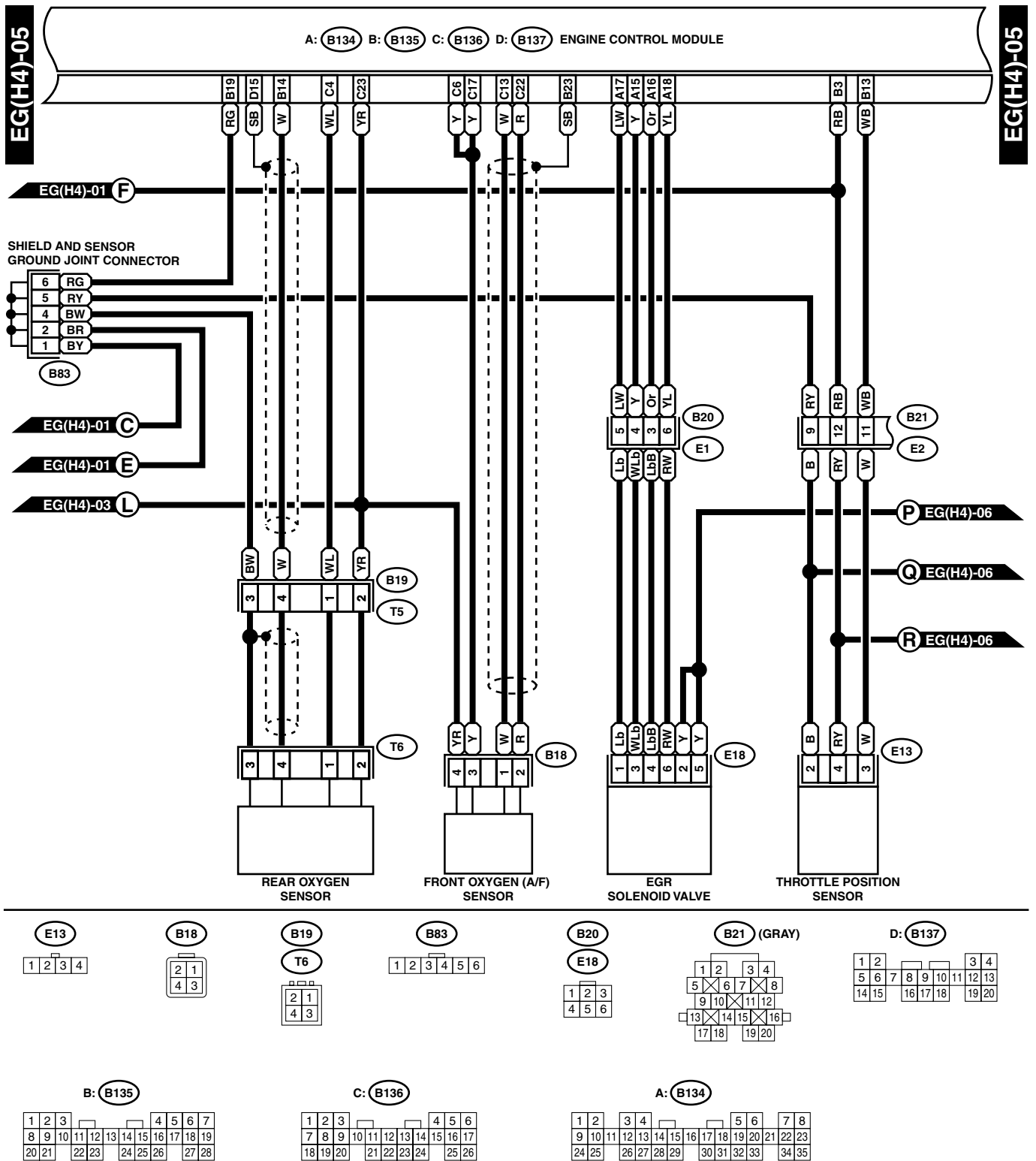
WIRING SYSTEM



WI-00596

# ENGINE ELECTRICAL SYSTEM

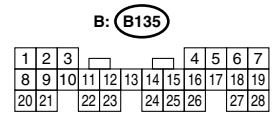
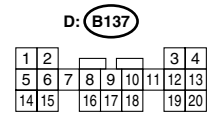
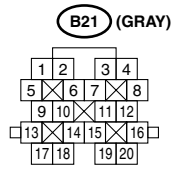
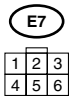
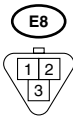
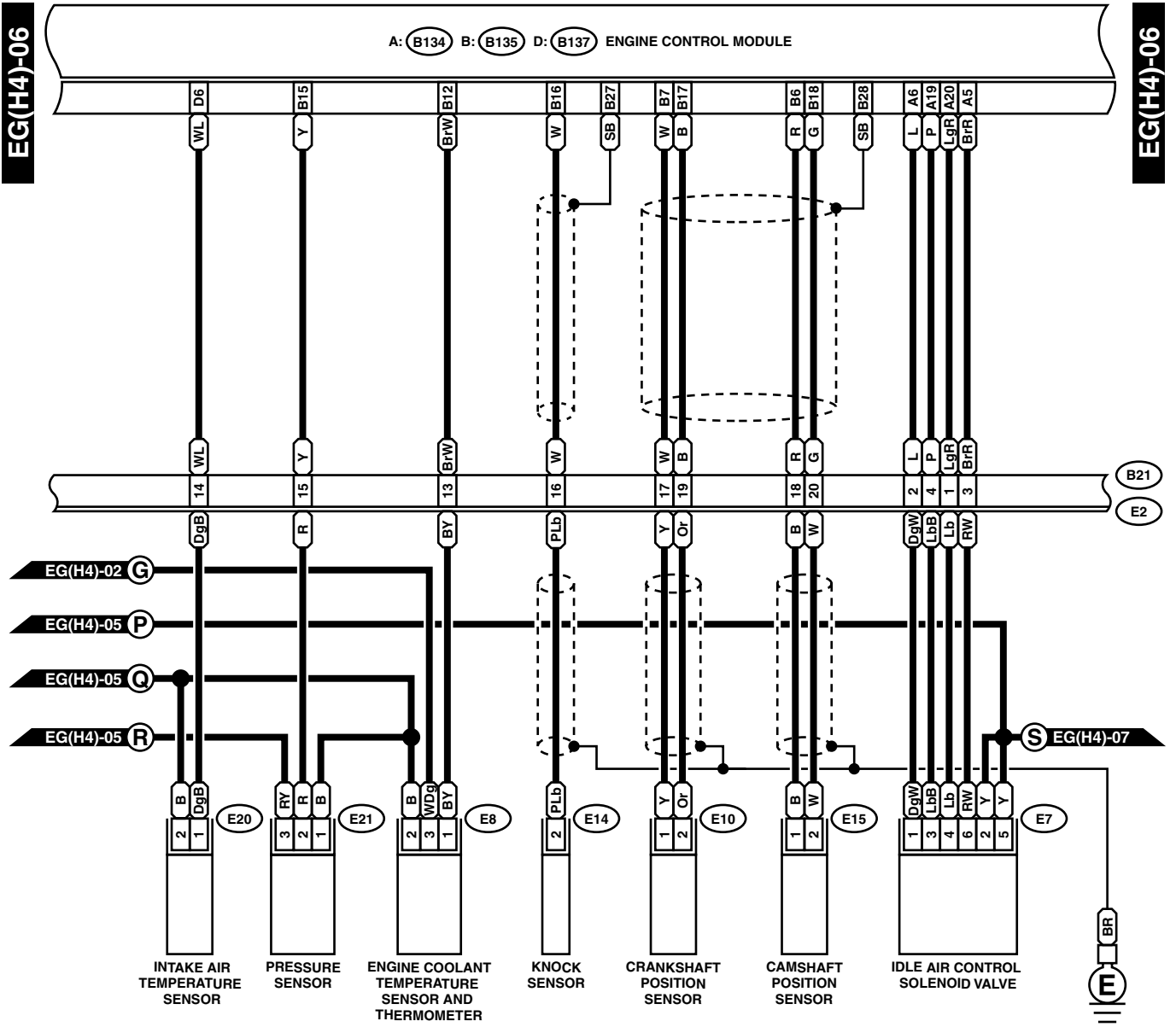
WIRING SYSTEM



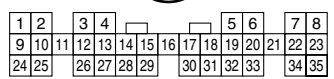
WI-00597

# ENGINE ELECTRICAL SYSTEM

WIRING SYSTEM



A: B134

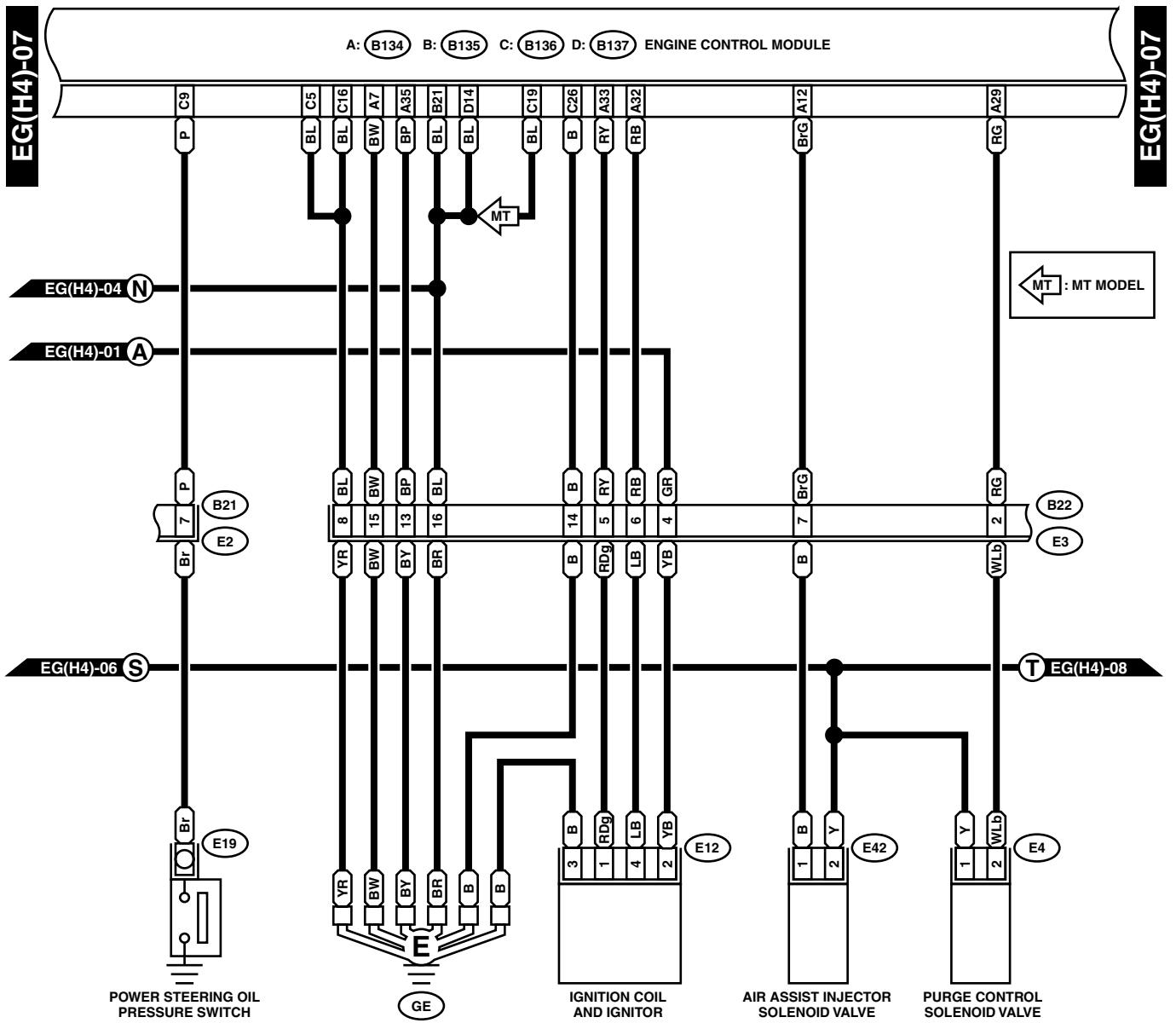


WI-03523



# ENGINE ELECTRICAL SYSTEM

WIRING SYSTEM



E4

E12

B22 (BROWN)

B21

D: B137

E42

1	2	3	4
---	---	---	---

1	2	3	4
5	6	7	8
9	10	11	12
13	14	15	16

1	2	3	4
5	6	7	8
9	10	11	12
13	14	15	16
17	18	19	20

1	2	3	4
5	6	7	8
9	10	11	12
13	14	15	16
17	18	19	20

B: B135

C: B136

A: B134

1	2	3	4	5	6	7
8	9	10	11	12	13	14
15	16	17	18	19	20	21
22	23	24	25	26	27	28

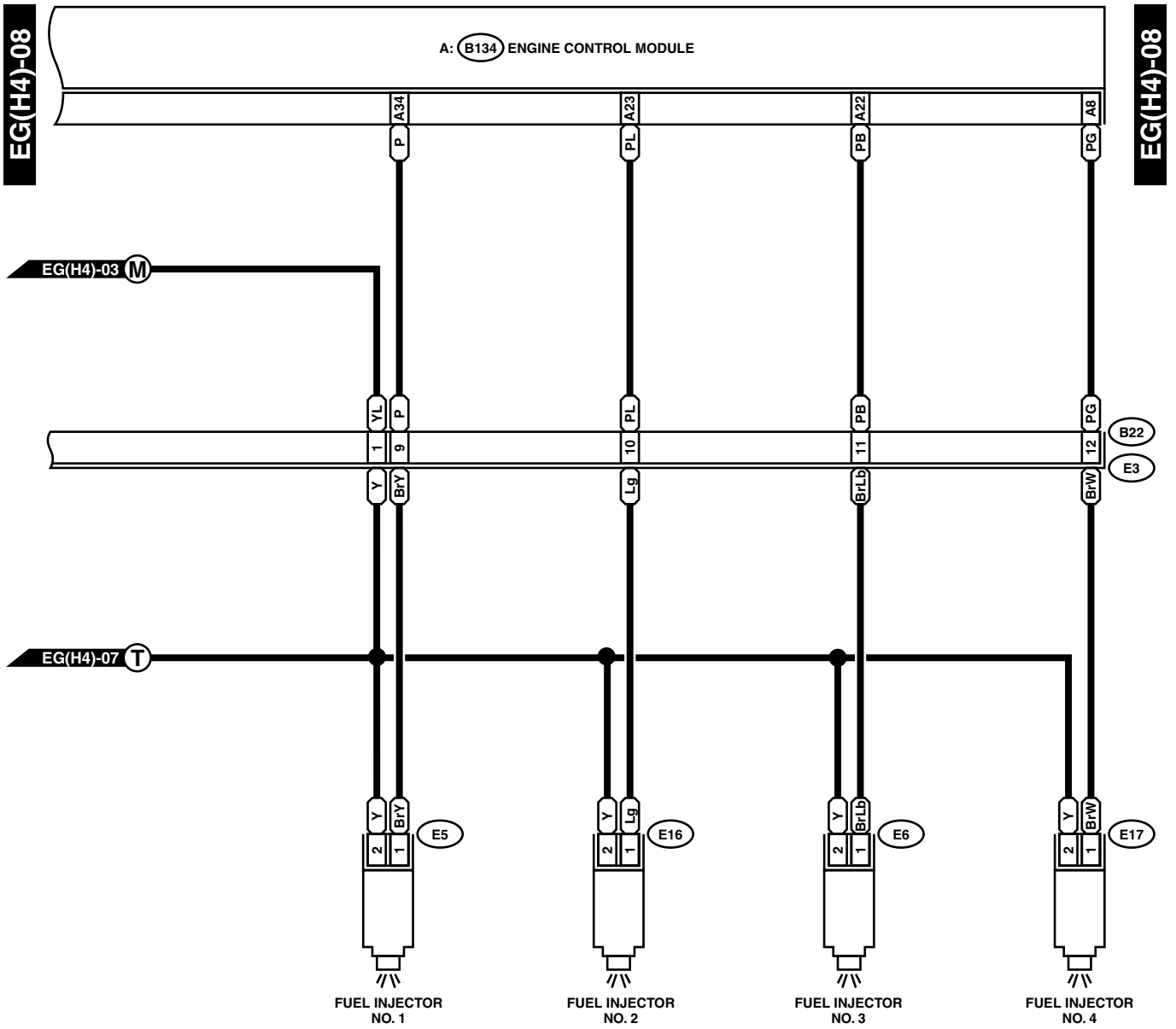
1	2	3	4	5	6
7	8	9	10	11	12
13	14	15	16	17	18
19	20	21	22	23	24
25	26				

1	2	3	4	5	6	7	8
9	10	11	12	13	14	15	16
17	18	19	20	21	22	23	24
25	26	27	28	29	30	31	32
33	34	35					

WI-00599

# ENGINE ELECTRICAL SYSTEM

WIRING SYSTEM



- (E5)
- (E6)
- (E16)
- (E17)
- 1 2

(B22) (BROWN)

1	2	3	4
5	6	7	8
9	10	11	12
13	14	15	16

A: (B134)

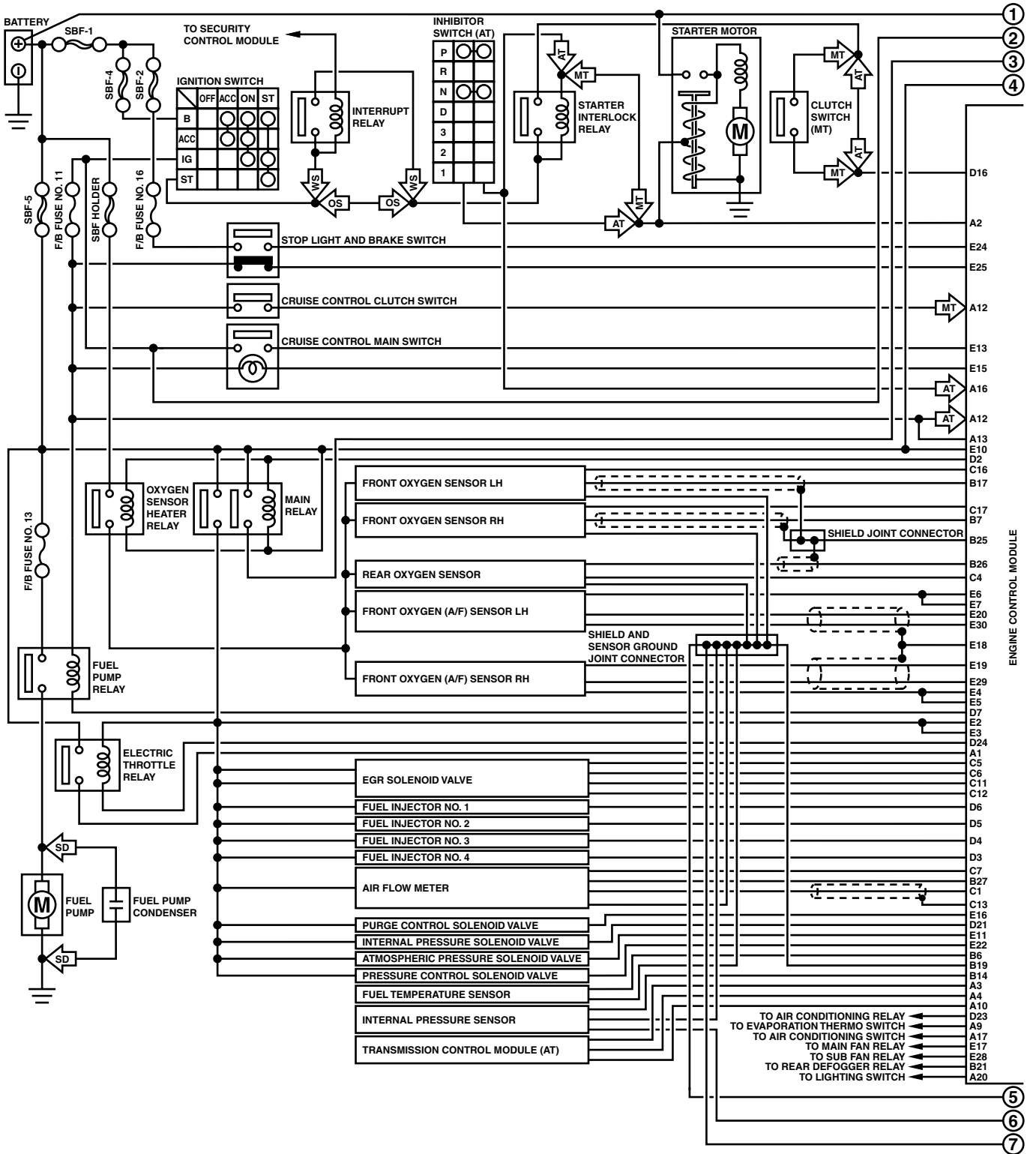
1	2	3	4			5	6	7	8					
9	10	11	12	13	14	15	16	17	18	19	20	21	22	23
24	25	26	27	28	29		30	31	32	33		34	35	

WI-03524

# ENGINE ELECTRICAL SYSTEM

WIRING SYSTEM

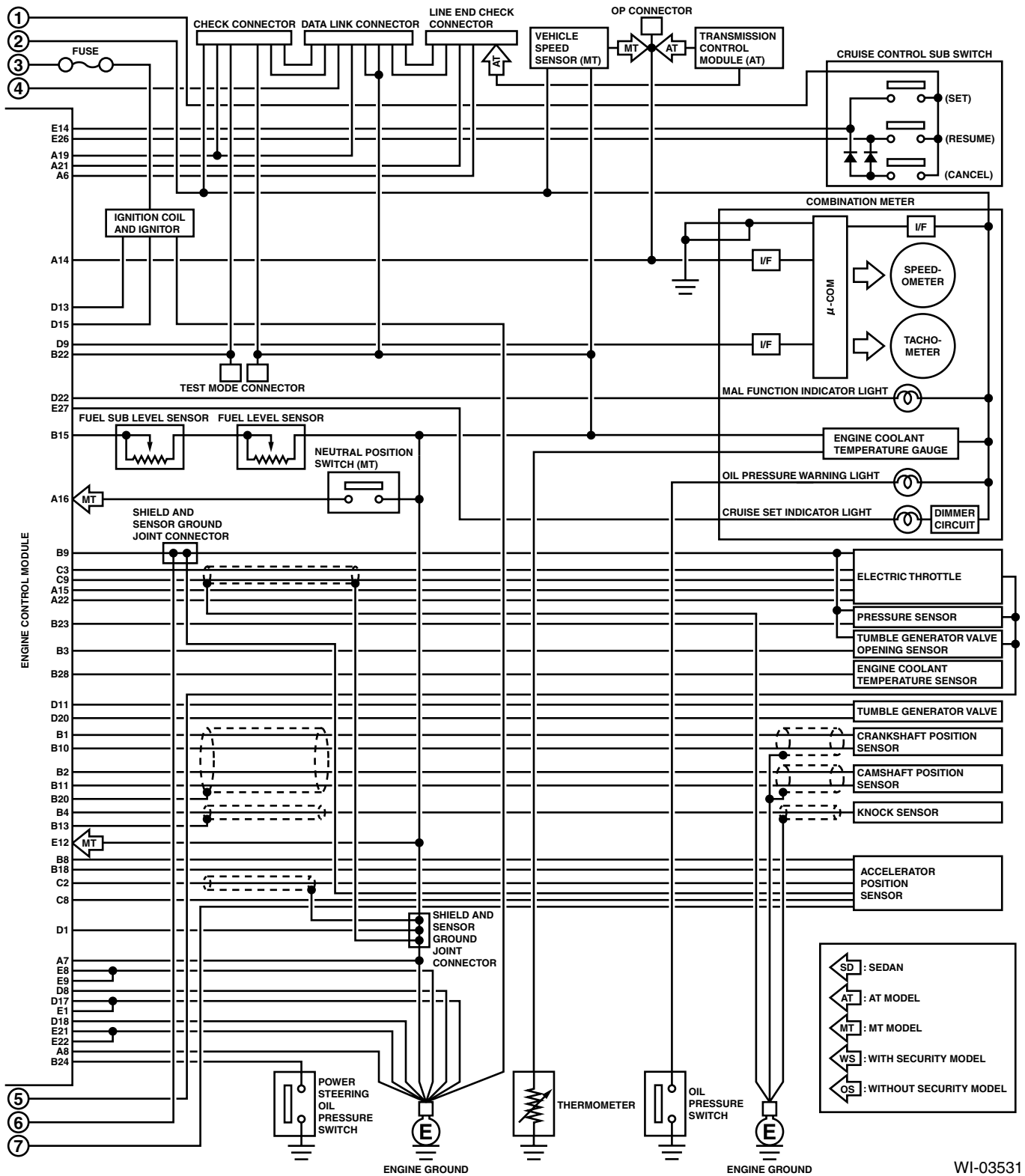
## 2. 4-CYLINDER ENGINE U5 MODEL



WI-03530

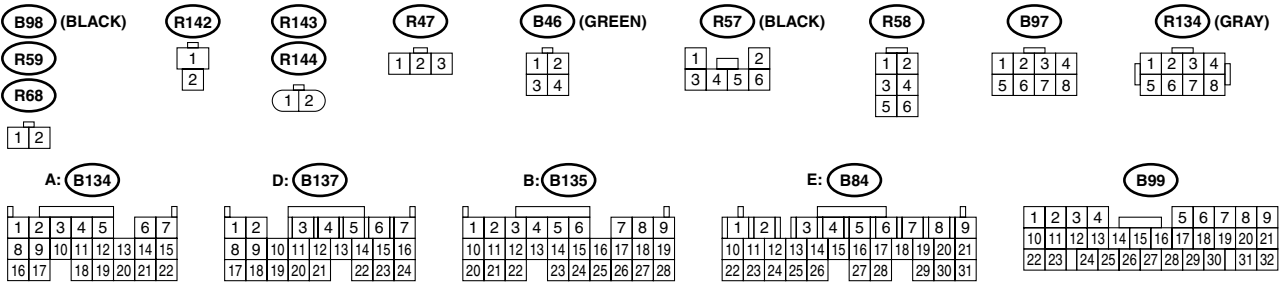
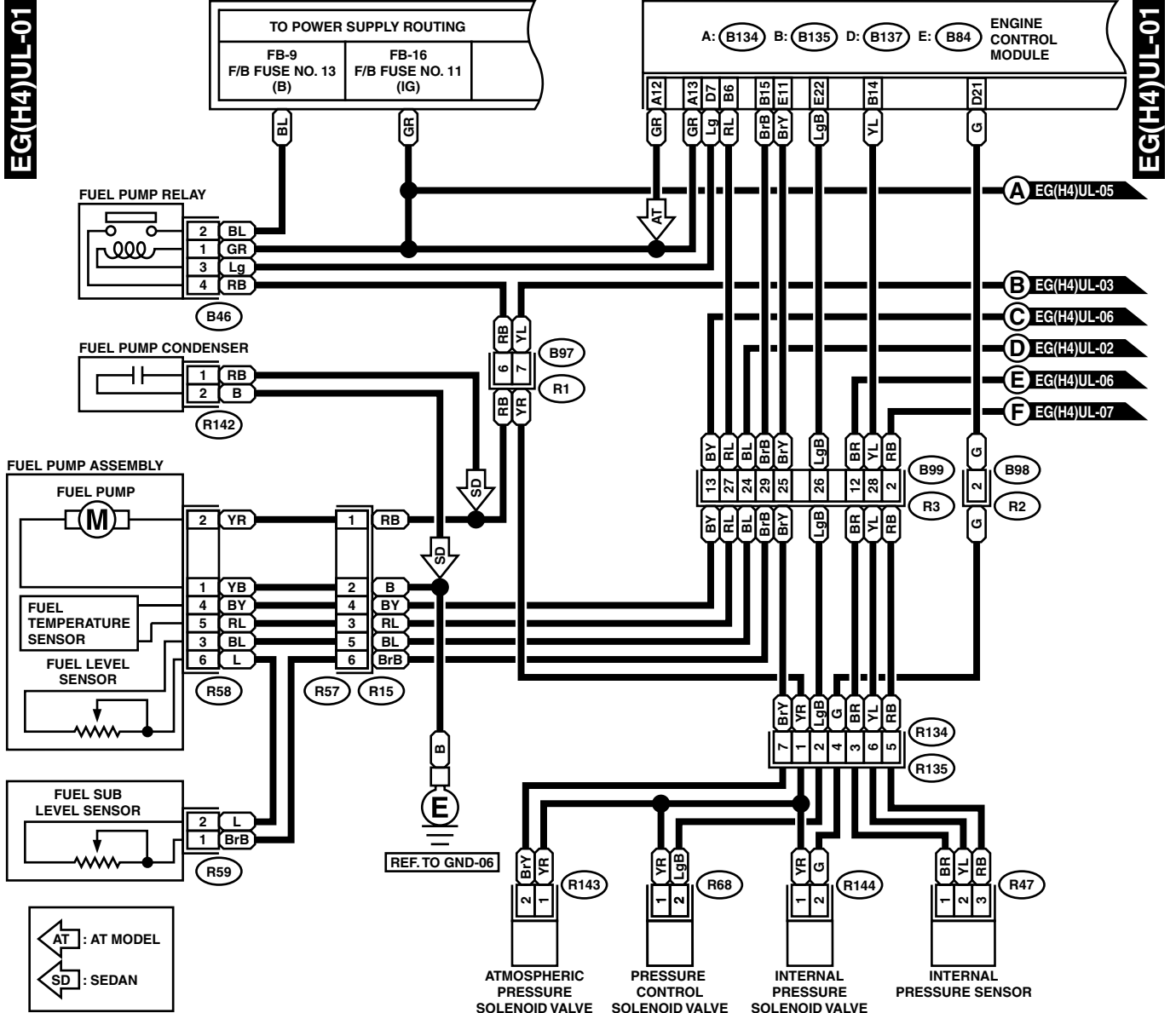
# ENGINE ELECTRICAL SYSTEM

## WIRING SYSTEM



# ENGINE ELECTRICAL SYSTEM

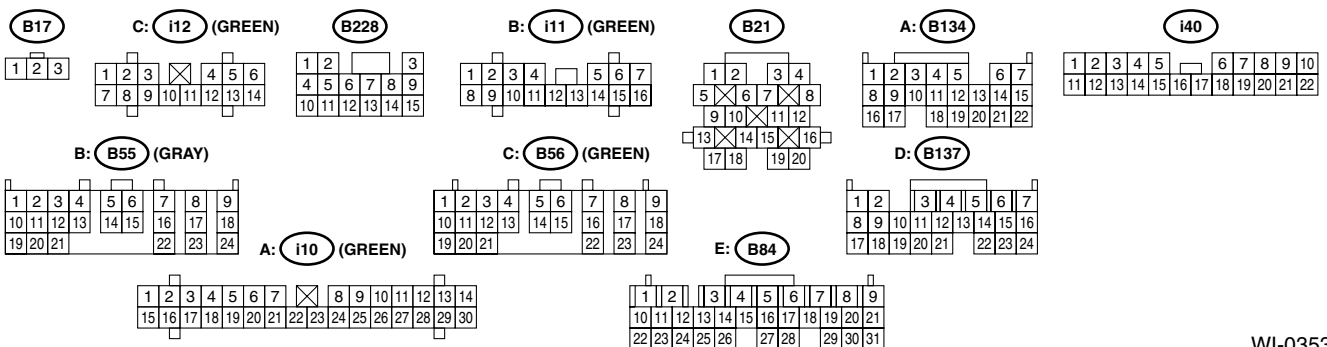
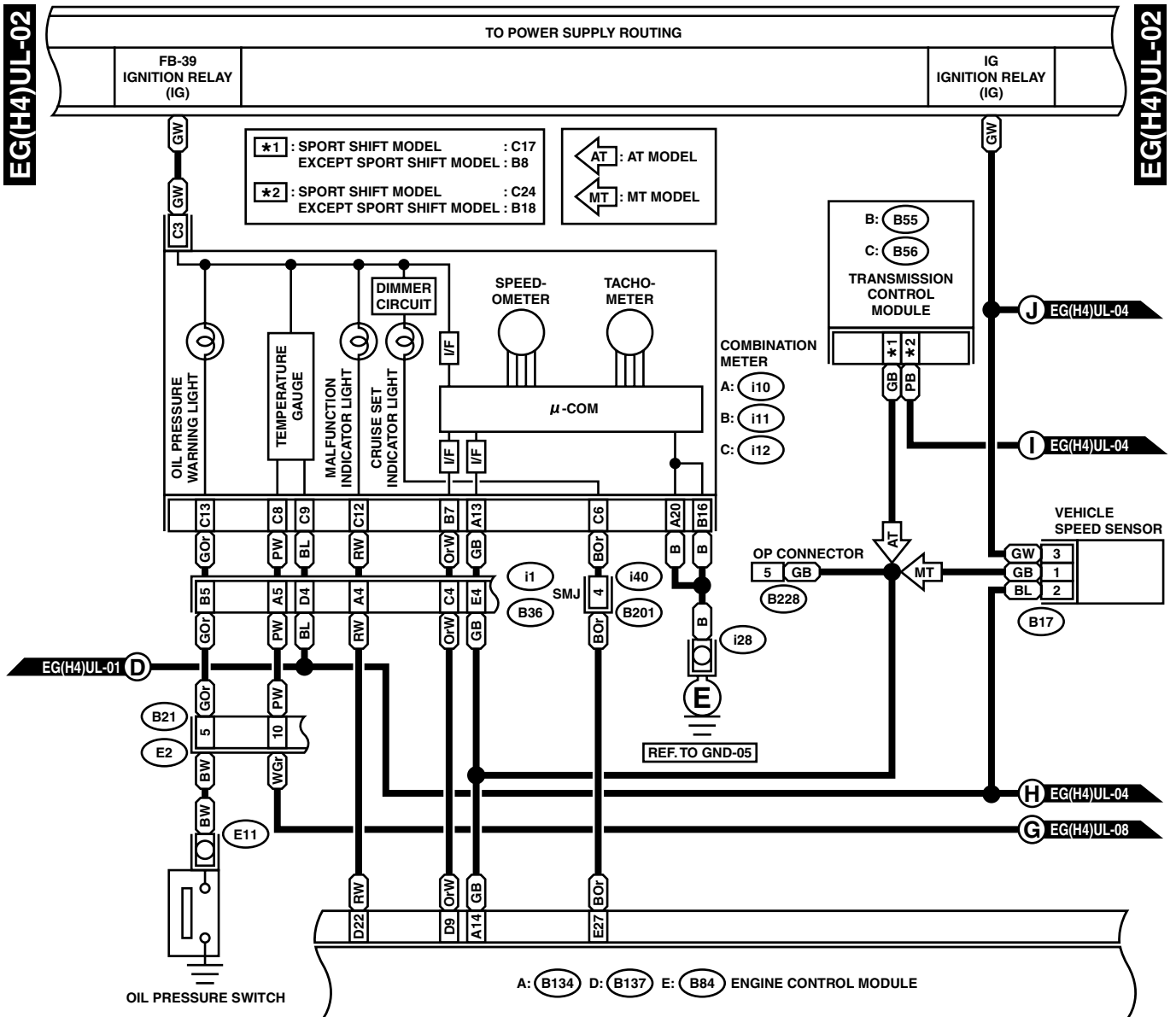
WIRING SYSTEM



WI-03532

# ENGINE ELECTRICAL SYSTEM

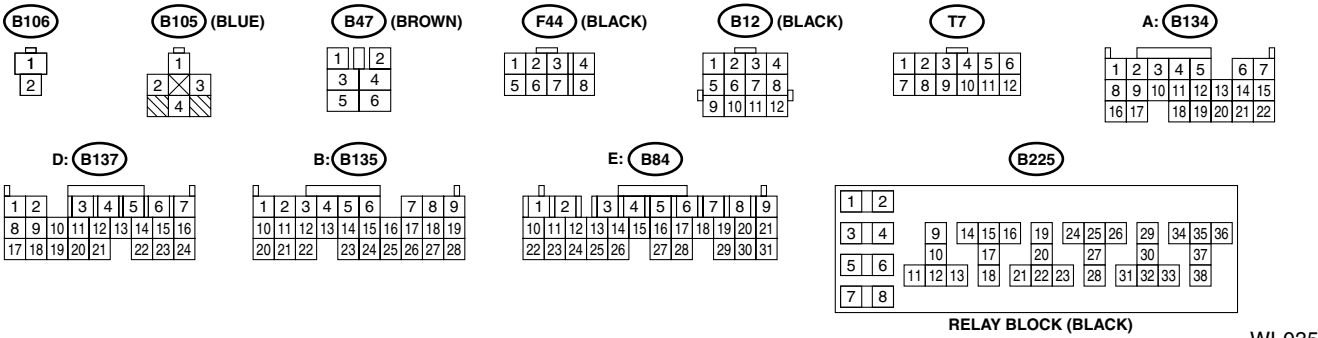
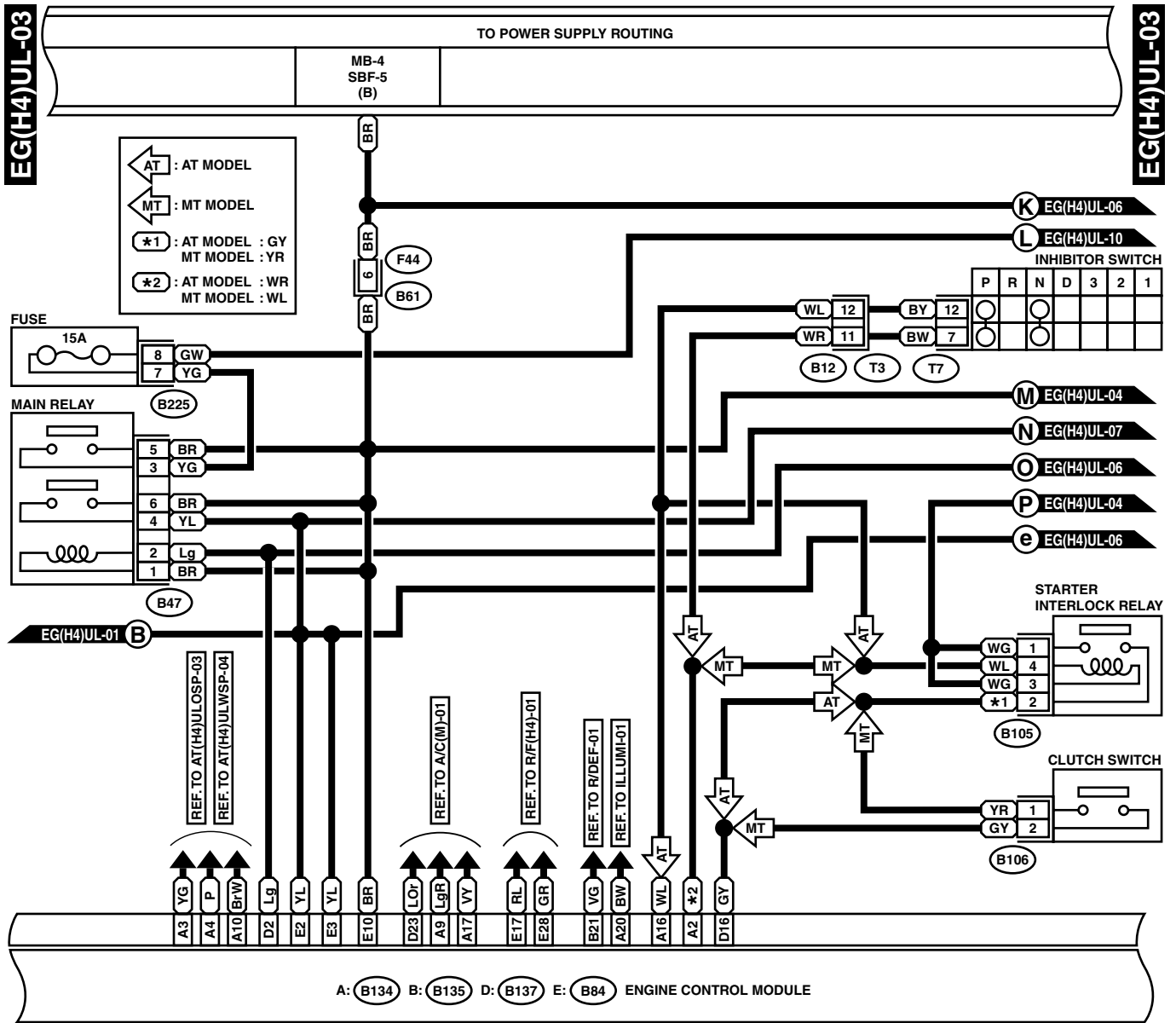
WIRING SYSTEM



WI-03533

# ENGINE ELECTRICAL SYSTEM

WIRING SYSTEM

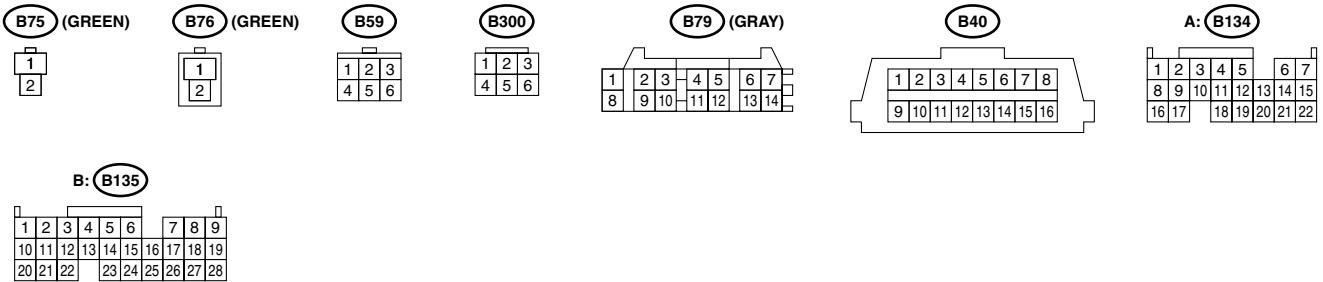
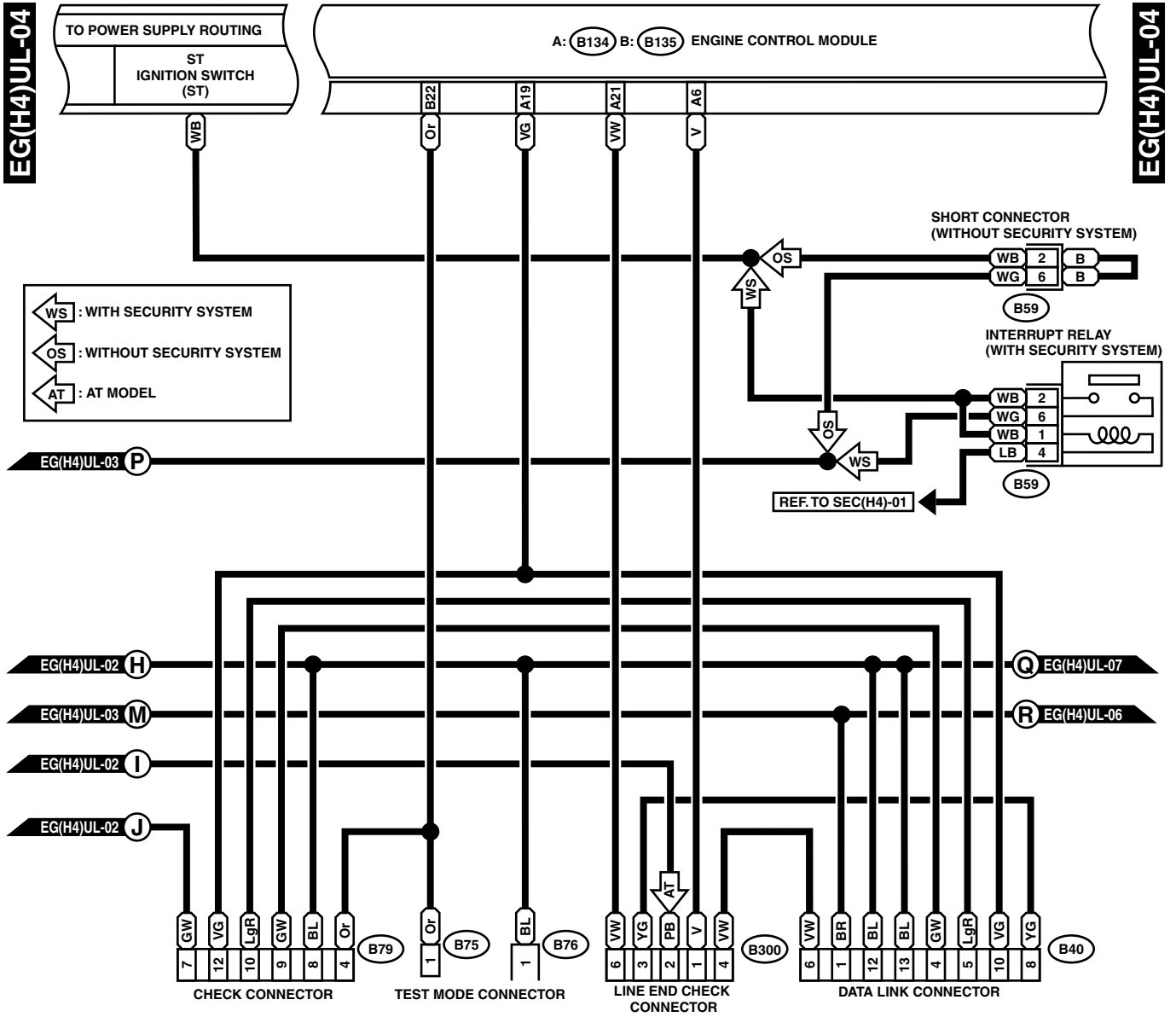


RELAY BLOCK (BLACK)

WI-03534

# ENGINE ELECTRICAL SYSTEM

WIRING SYSTEM

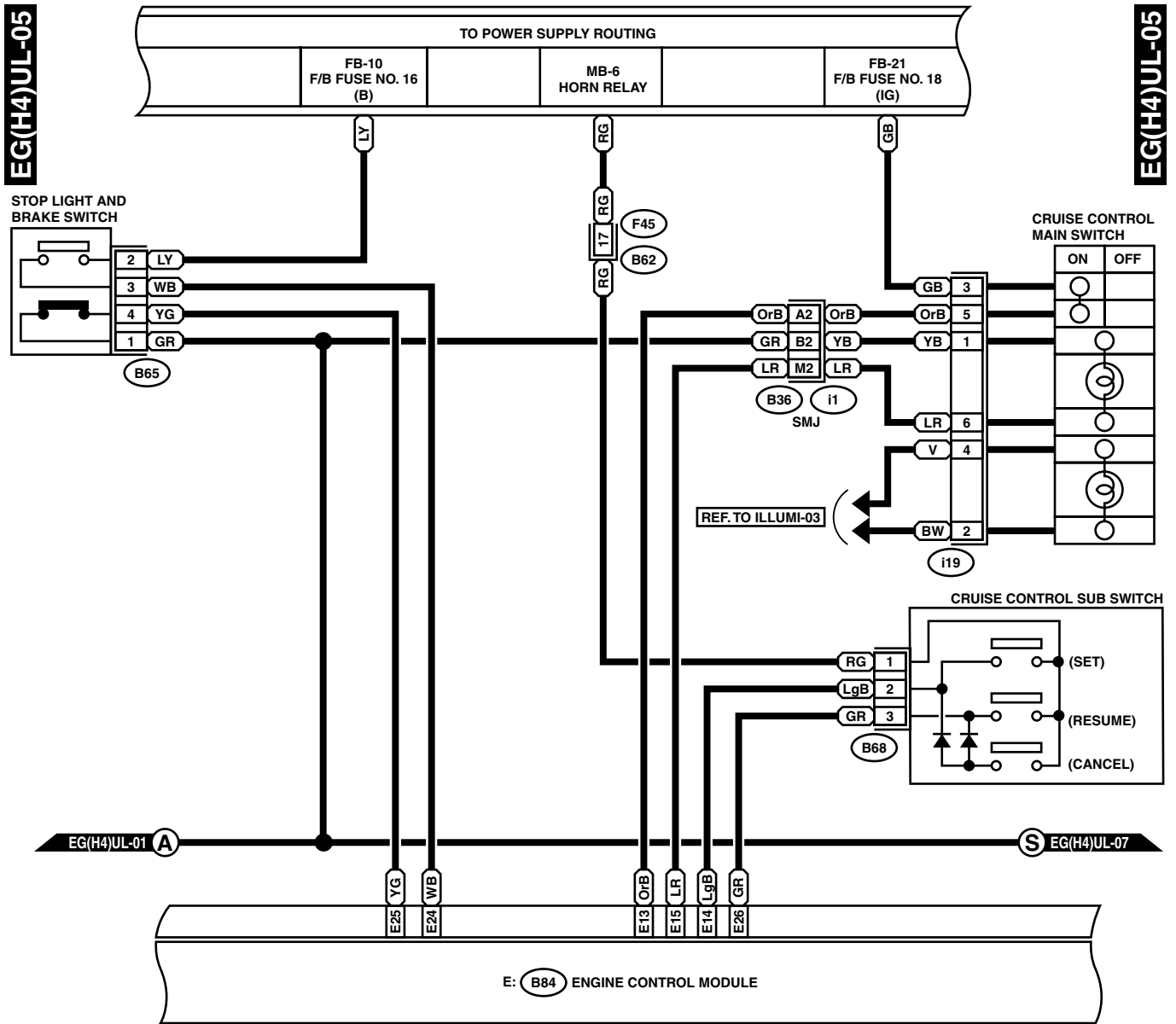


WI-03535



# ENGINE ELECTRICAL SYSTEM

WIRING SYSTEM



B65 (BLACK)

1	2
3	4

B68 (BLACK)

1	2
3	4

i19 (BROWN)

1	2
3	4

F45

1	2	3	4	5	6	7	8	9		
10	11	12	13	14	15	16	17	18	19	20

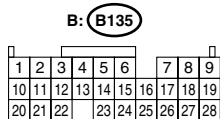
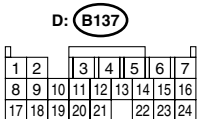
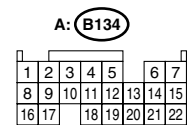
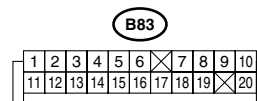
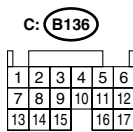
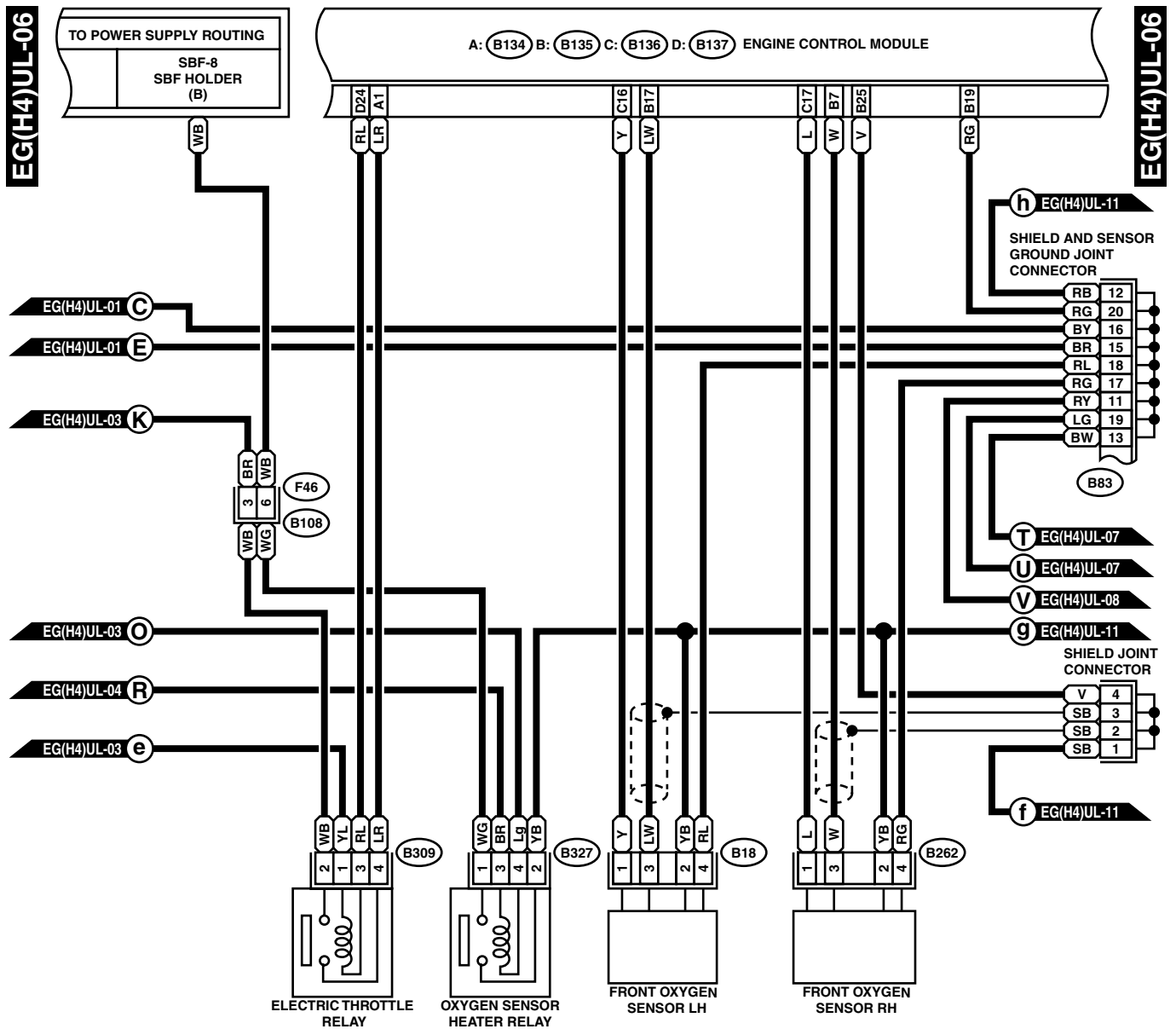
E: B84

1	2	3	4	5	6	7	8	9			
10	11	12	13	14	15	16	17	18	19	20	21
22	23	24	25	26	27	28	29	30	31		

WI-03536

# ENGINE ELECTRICAL SYSTEM

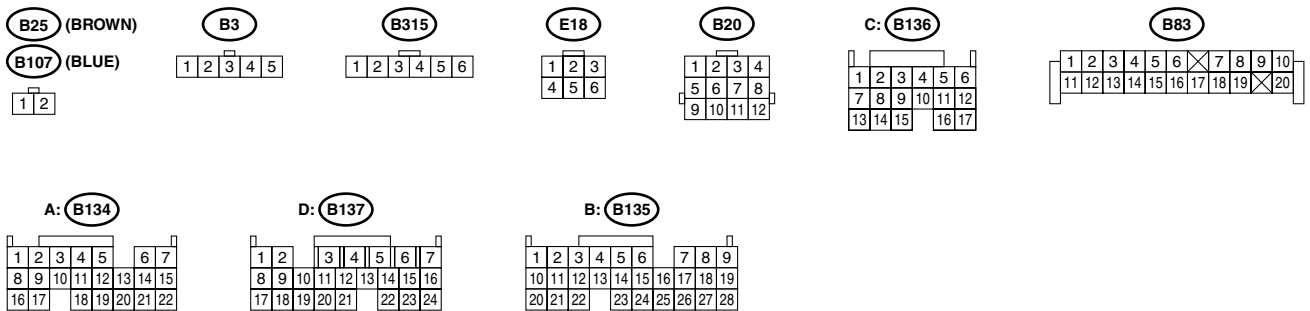
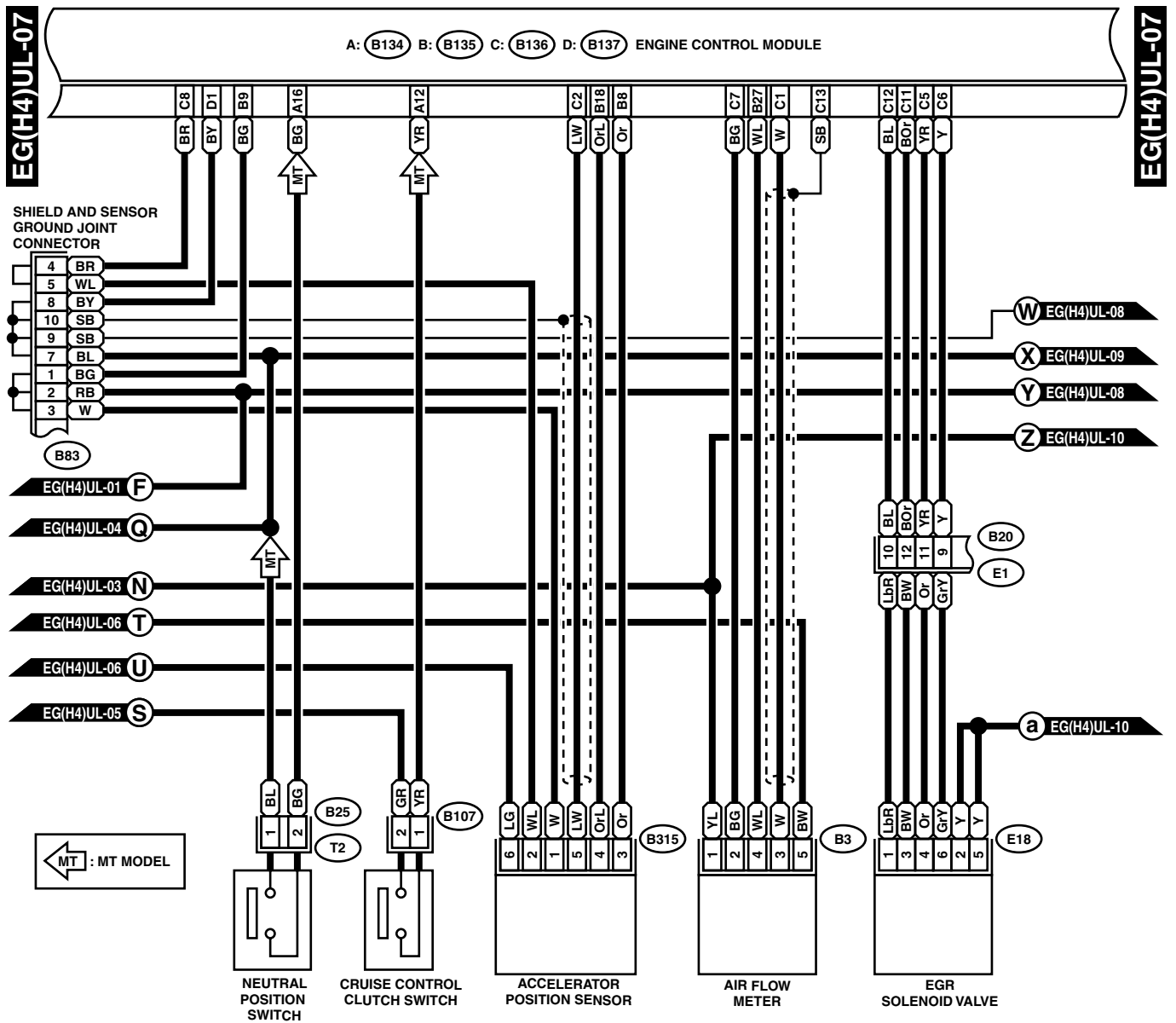
WIRING SYSTEM



WI-03537

# ENGINE ELECTRICAL SYSTEM

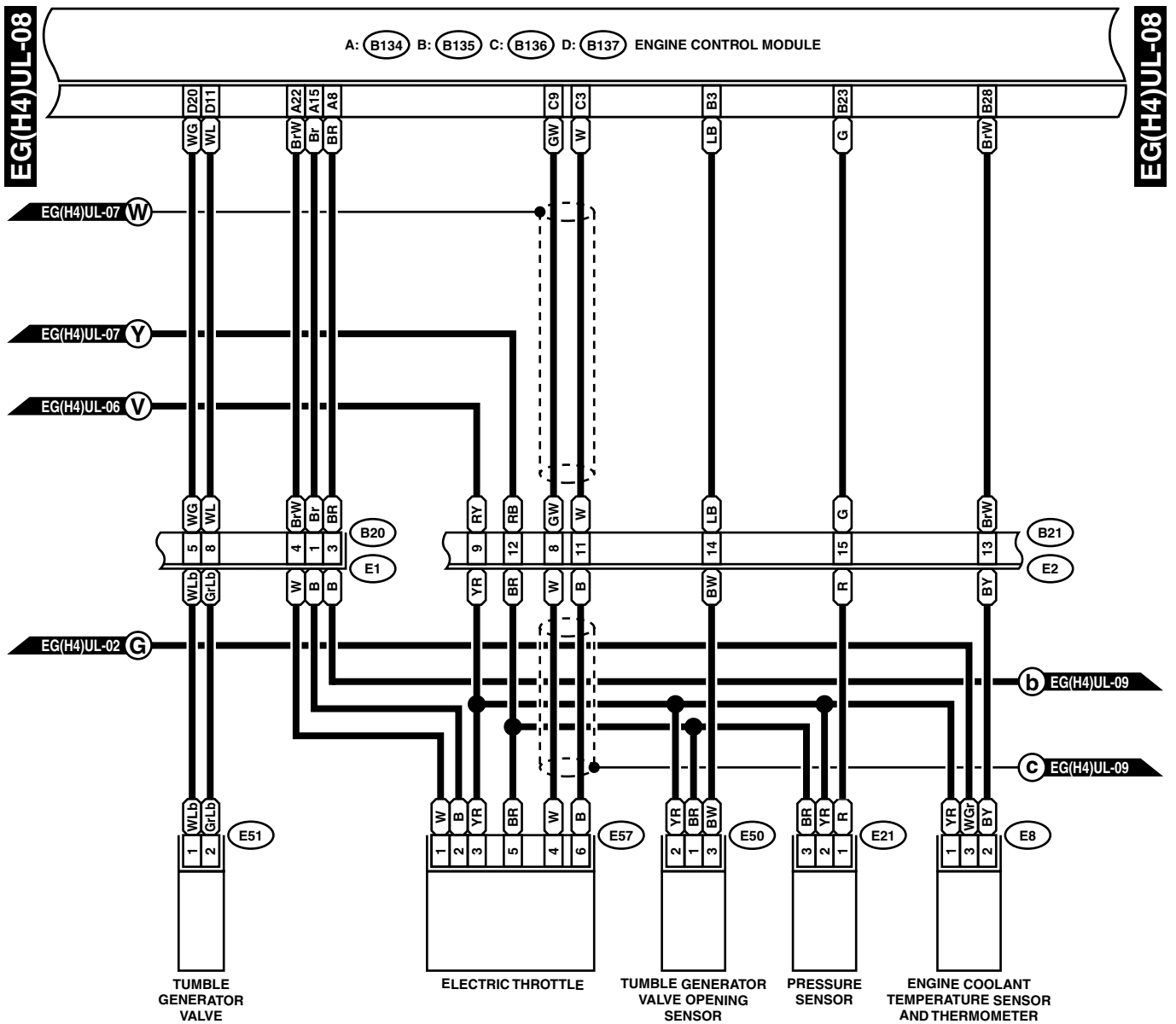
WIRING SYSTEM



WI-03538

# ENGINE ELECTRICAL SYSTEM

WIRING SYSTEM



E51



E8



E21



E57



B20



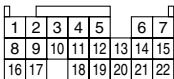
C: B136



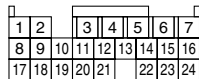
B21



A: B134



D: B137



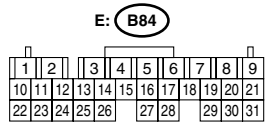
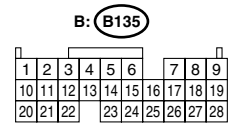
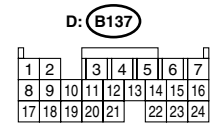
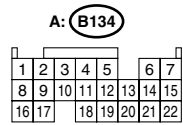
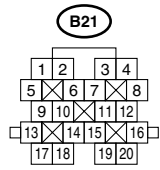
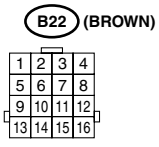
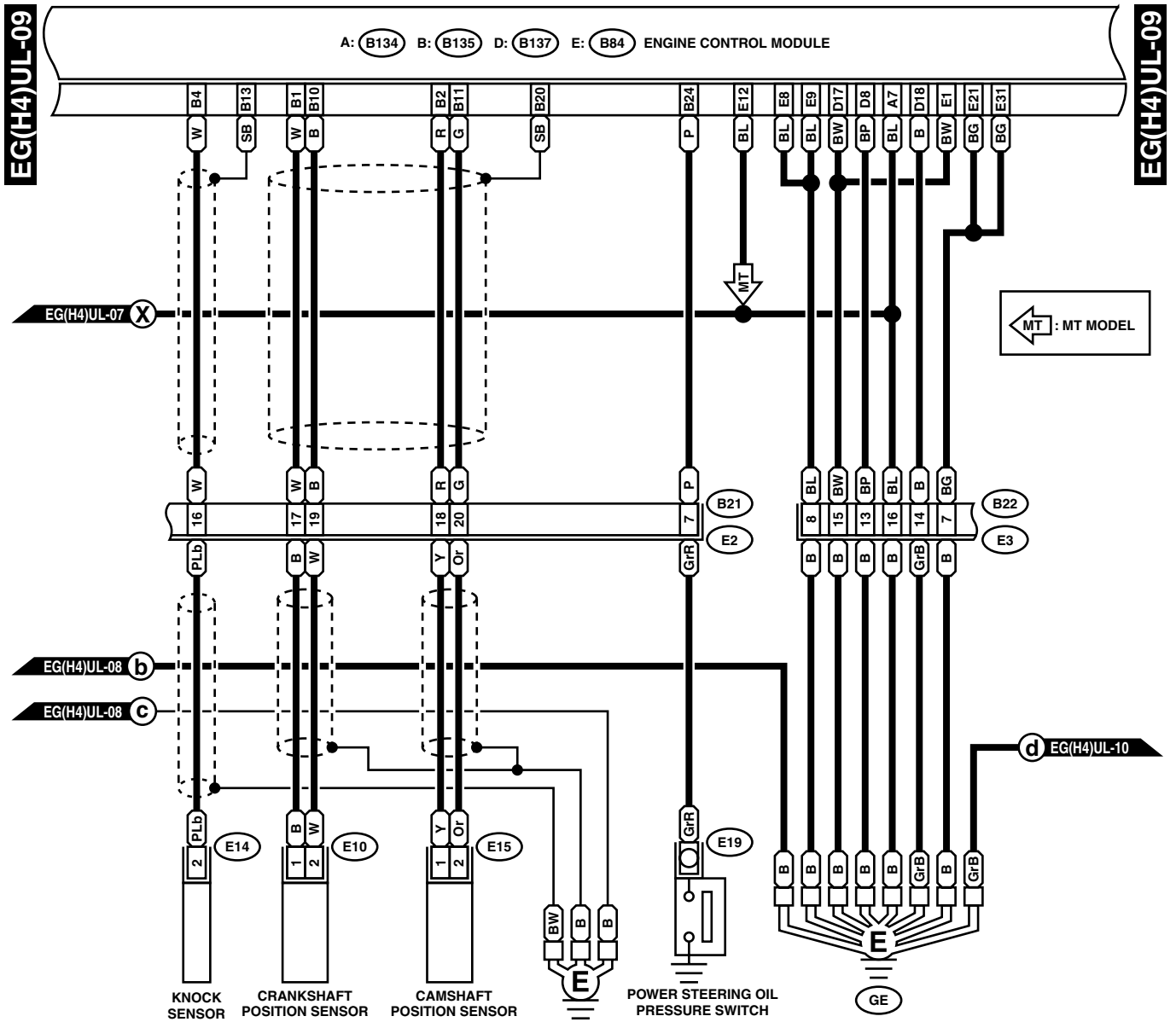
B: B135



WI-03539

# ENGINE ELECTRICAL SYSTEM

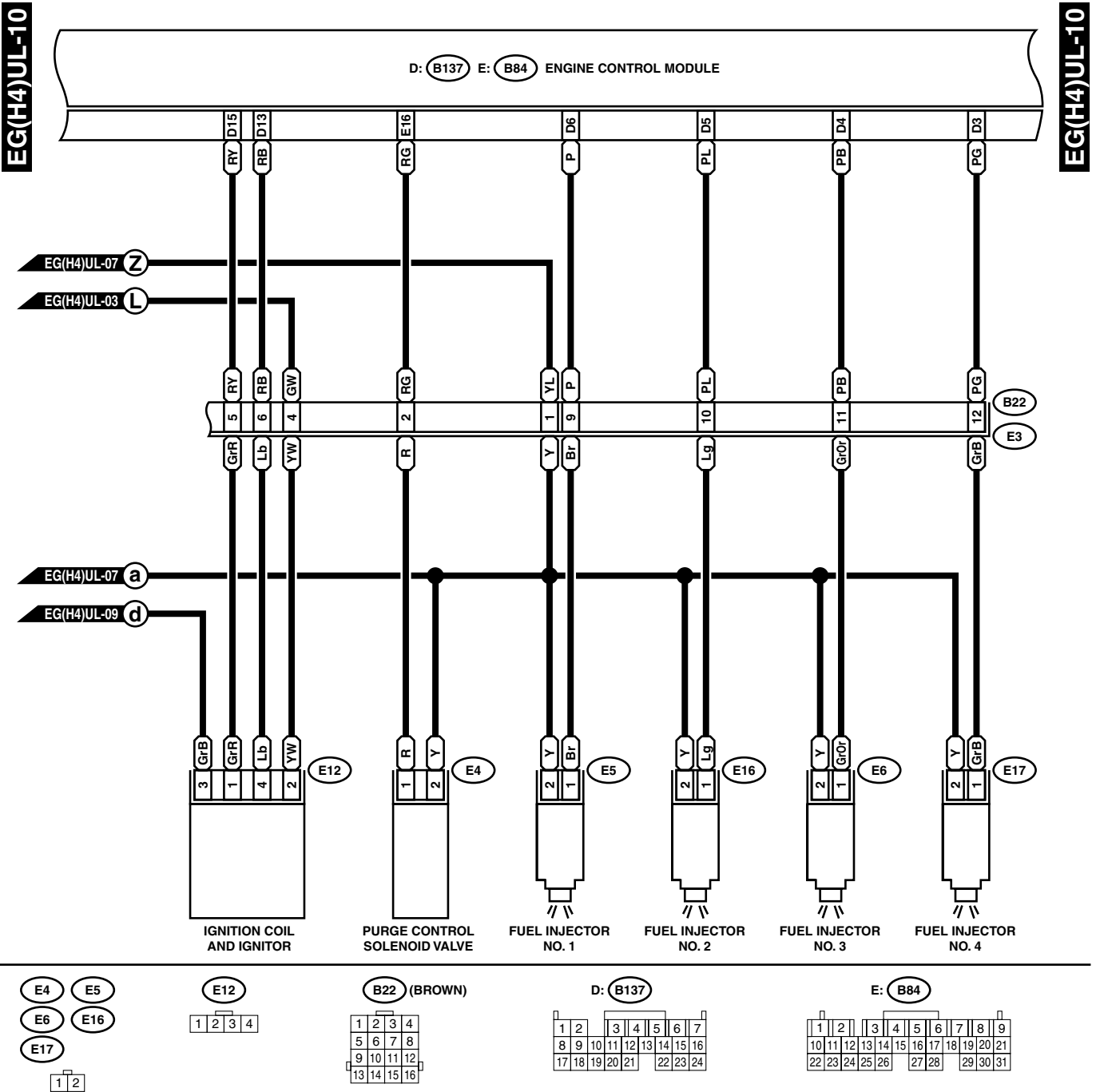
WIRING SYSTEM



WI-03540

# ENGINE ELECTRICAL SYSTEM

WIRING SYSTEM



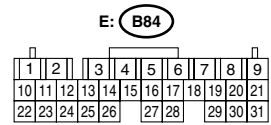
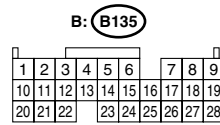
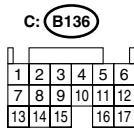
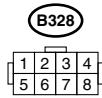
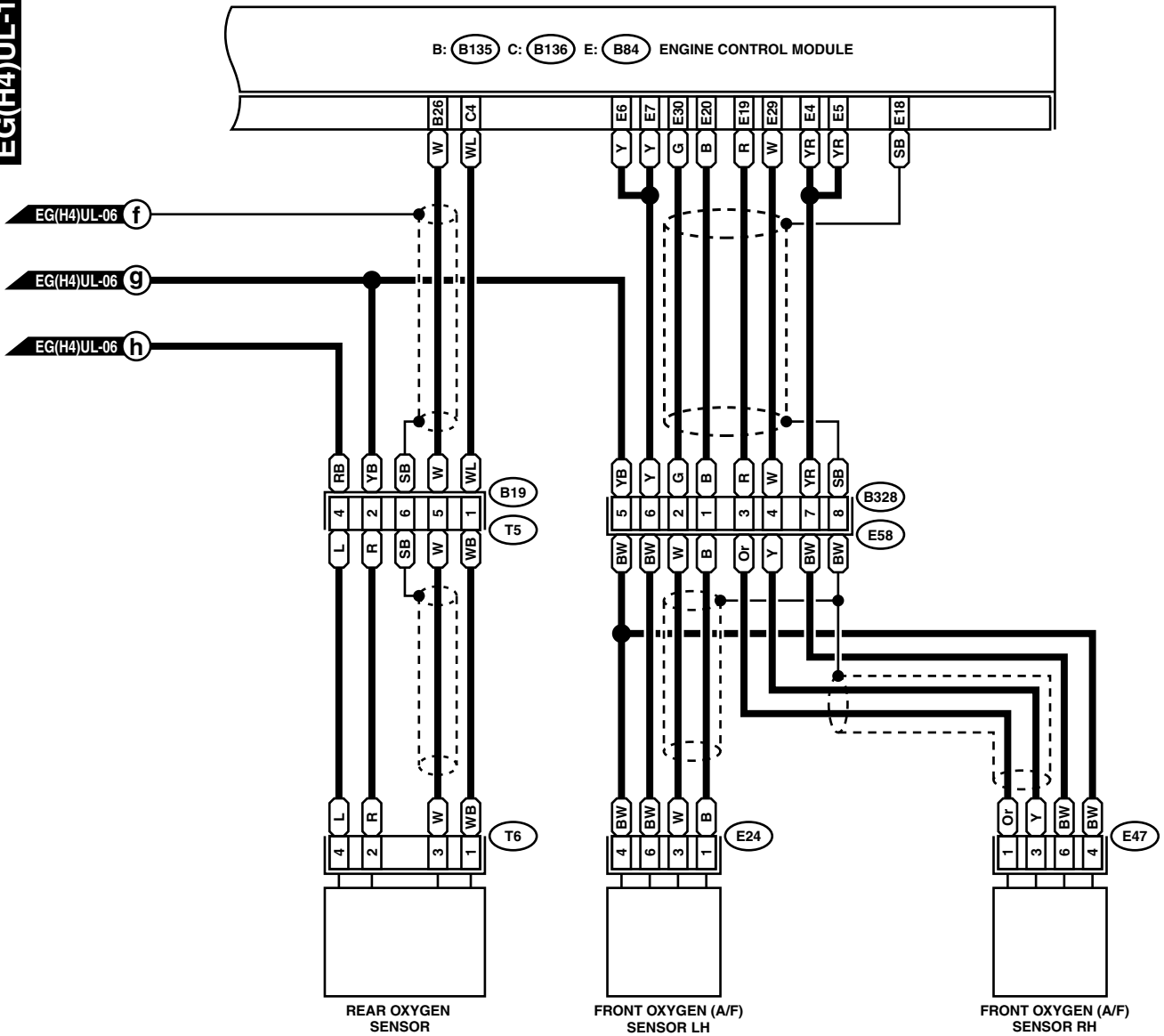
WI-03541

# ENGINE ELECTRICAL SYSTEM

WIRING SYSTEM

EG(H4)UL-11

EG(H4)UL-11



WI-03542

# ENGINE ELECTRICAL SYSTEM

WIRING SYSTEM

---

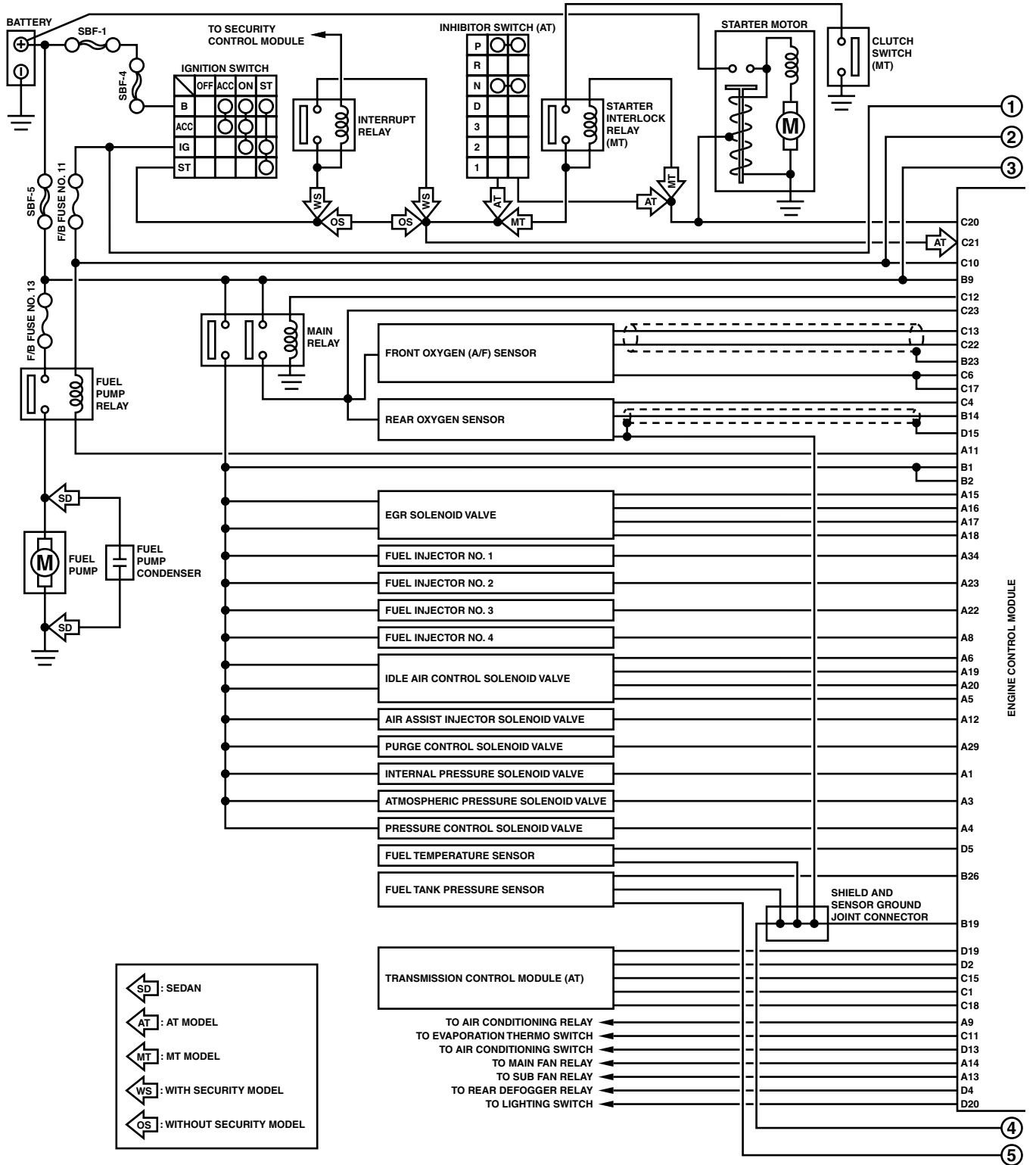
MEMO:



# ENGINE ELECTRICAL SYSTEM

## WIRING SYSTEM

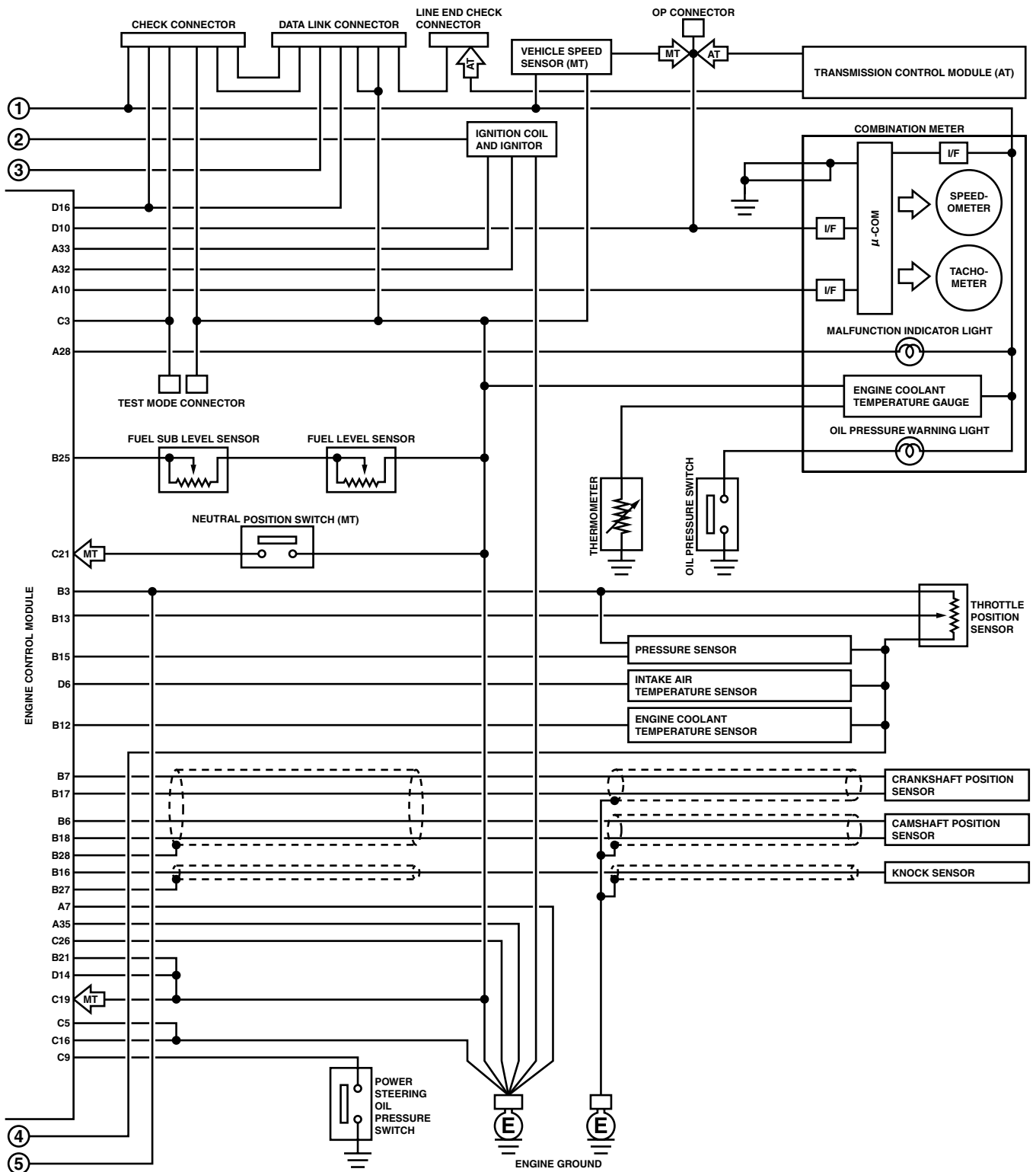
### 3. PICK-UP (EXCEPT 4-CYLINDER TURBO ENGINE)



WI-03518

# ENGINE ELECTRICAL SYSTEM

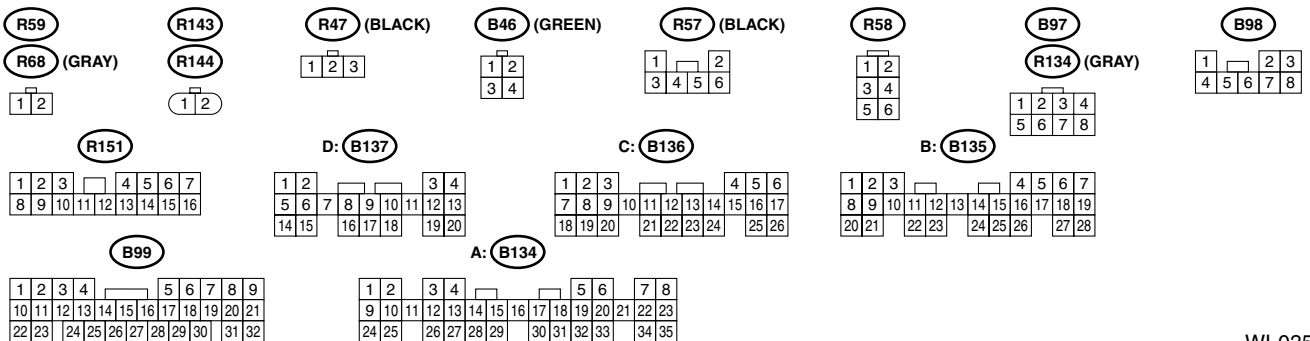
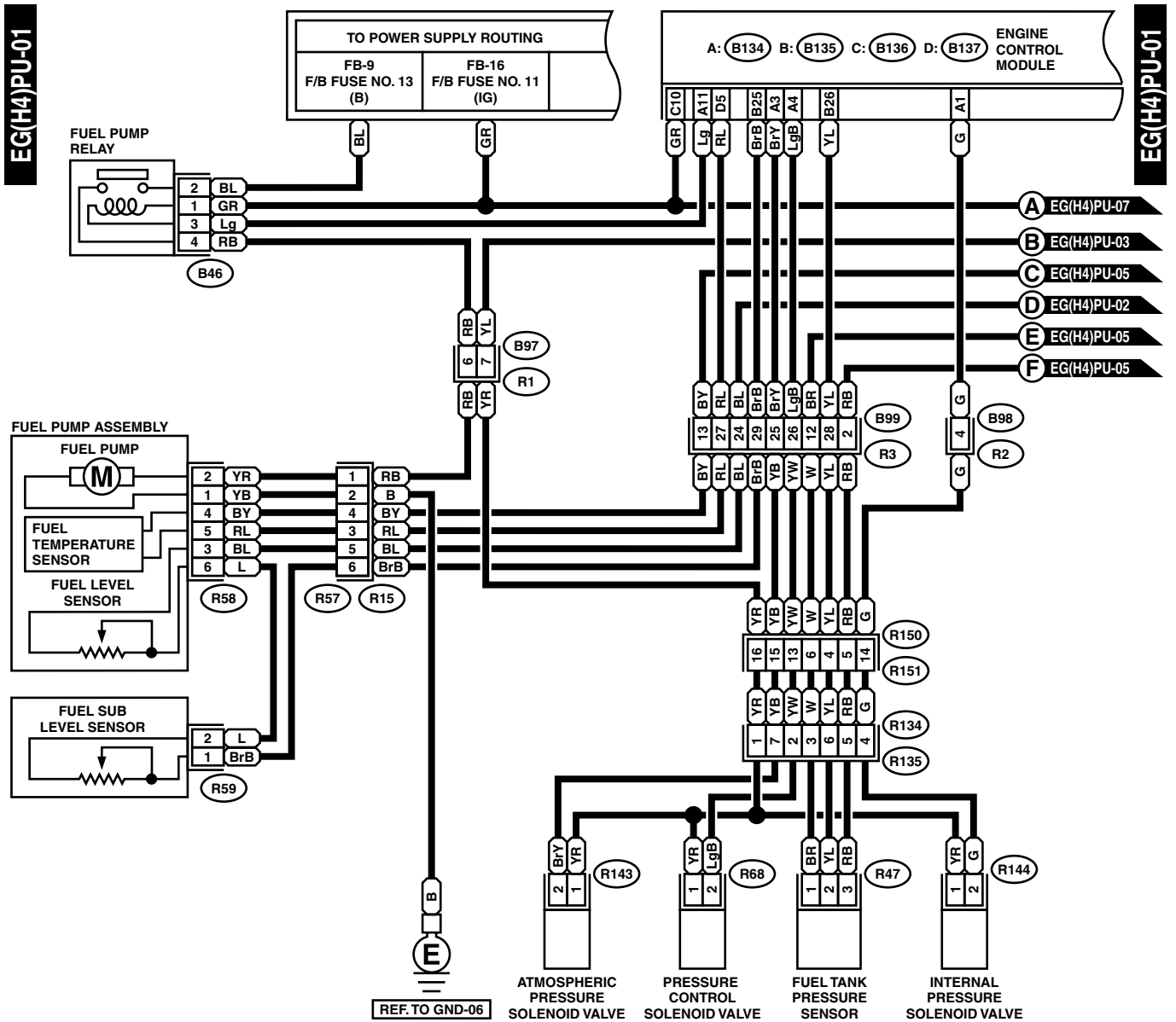
WIRING SYSTEM



WI-03519

# ENGINE ELECTRICAL SYSTEM

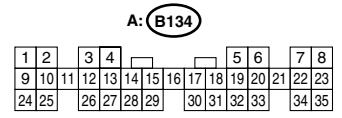
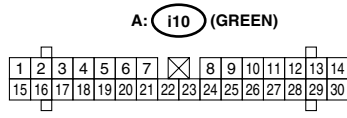
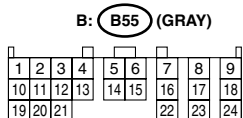
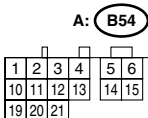
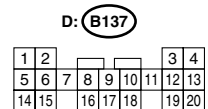
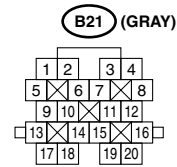
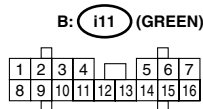
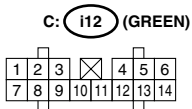
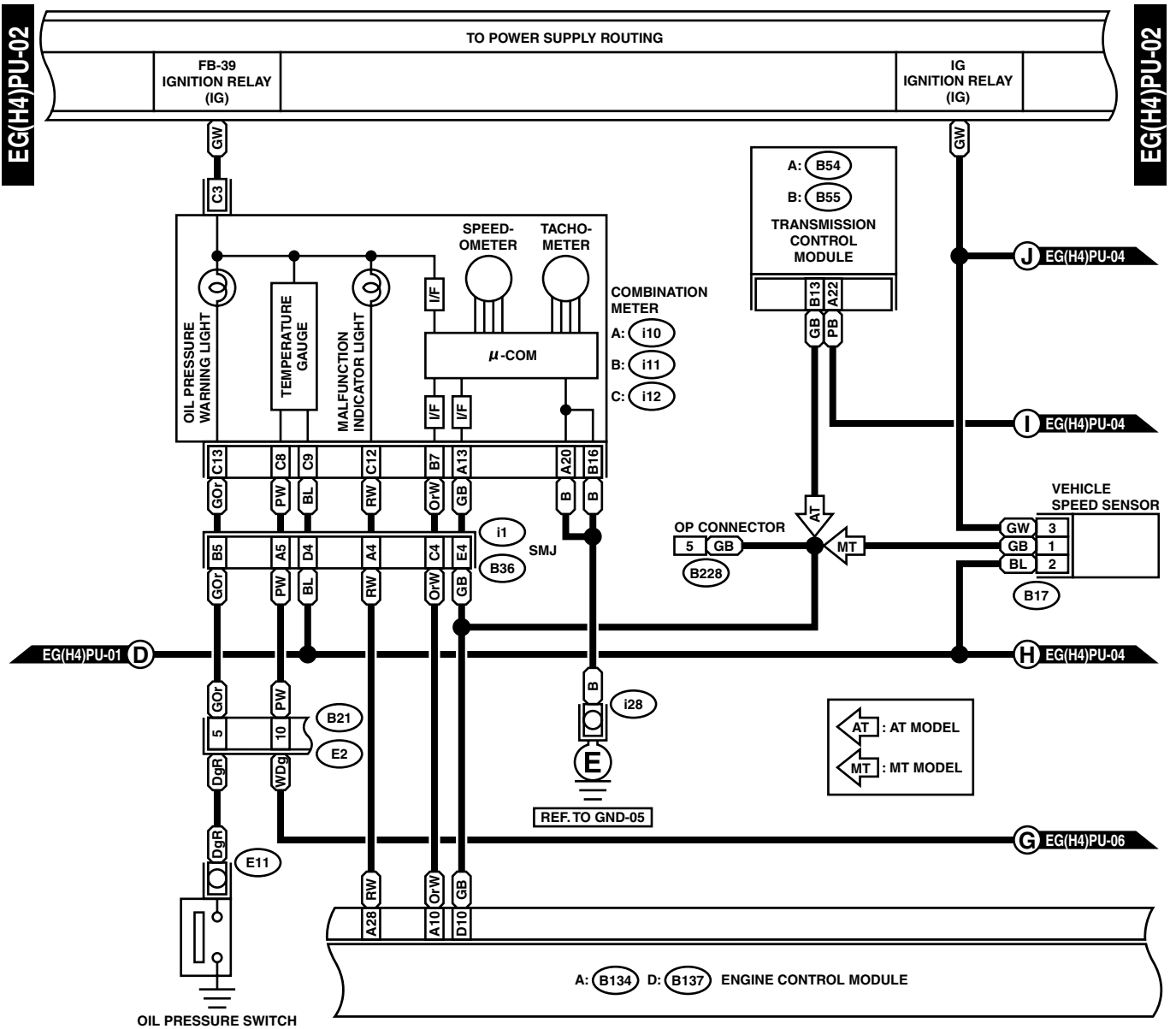
WIRING SYSTEM



WI-03525

# ENGINE ELECTRICAL SYSTEM

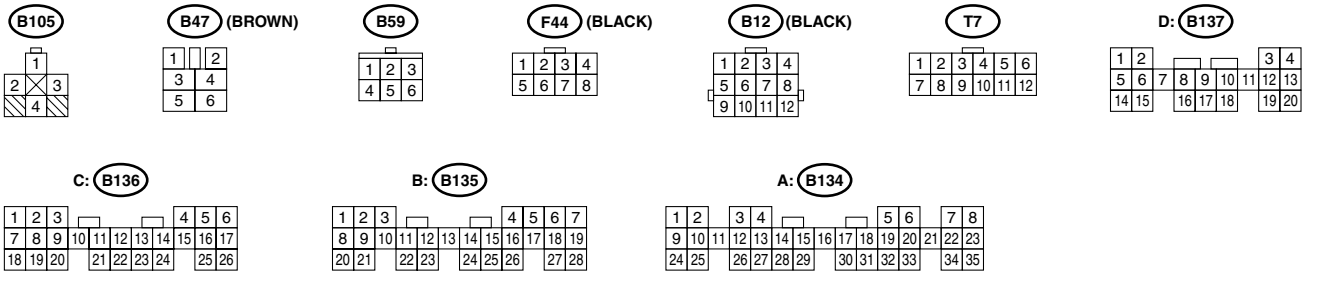
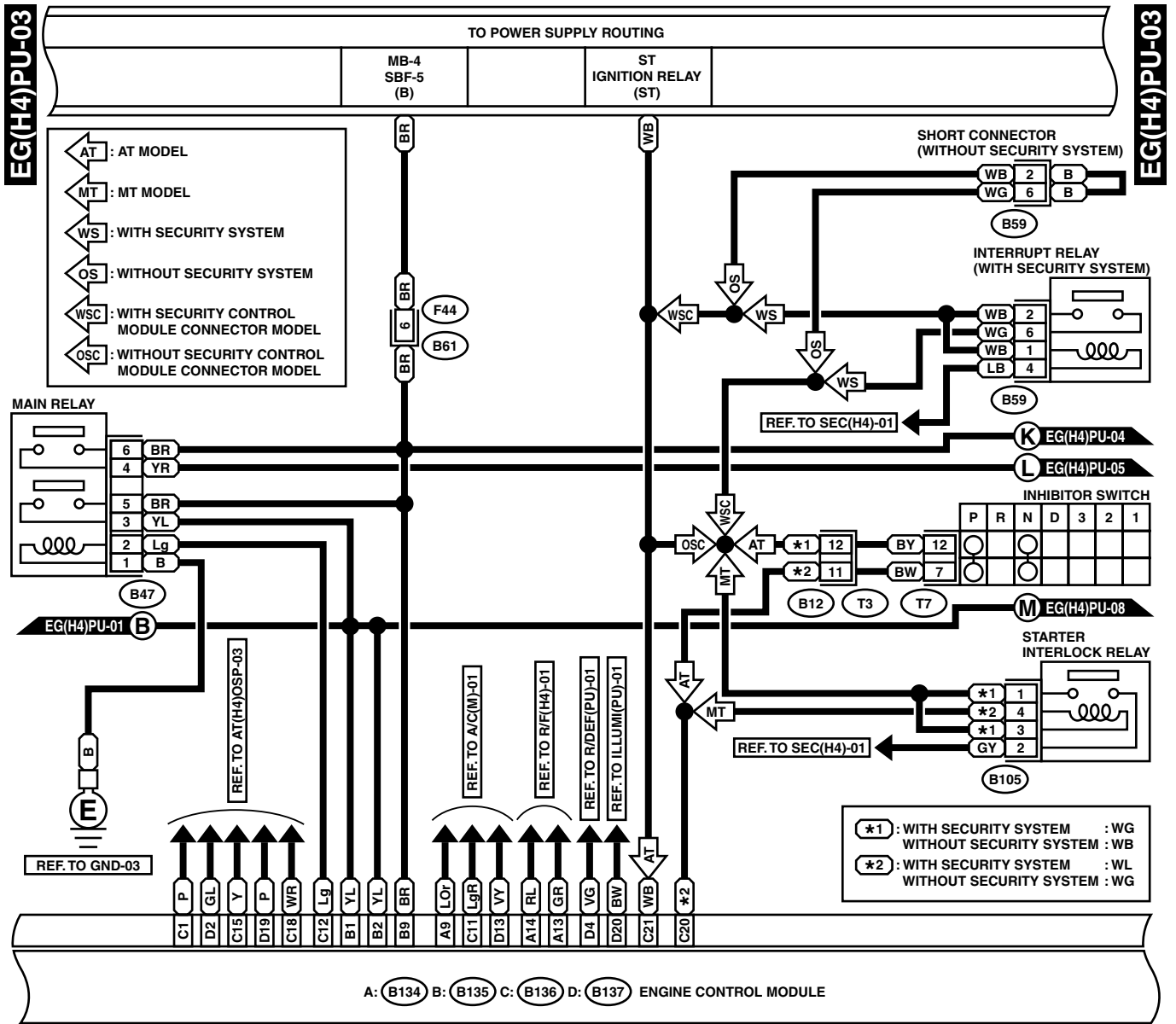
WIRING SYSTEM



WI-03526

# ENGINE ELECTRICAL SYSTEM

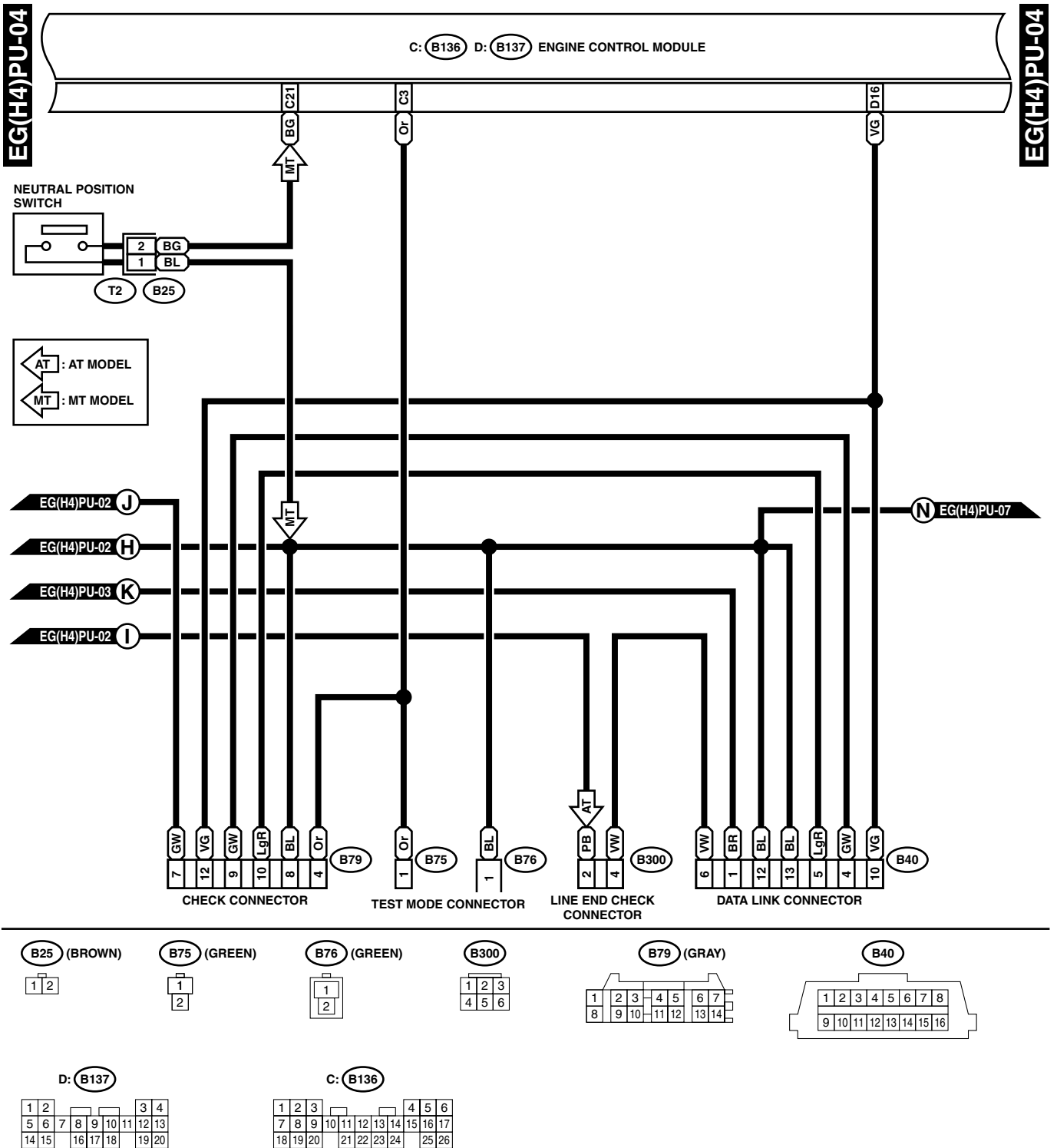
WIRING SYSTEM



WI-03527

# ENGINE ELECTRICAL SYSTEM

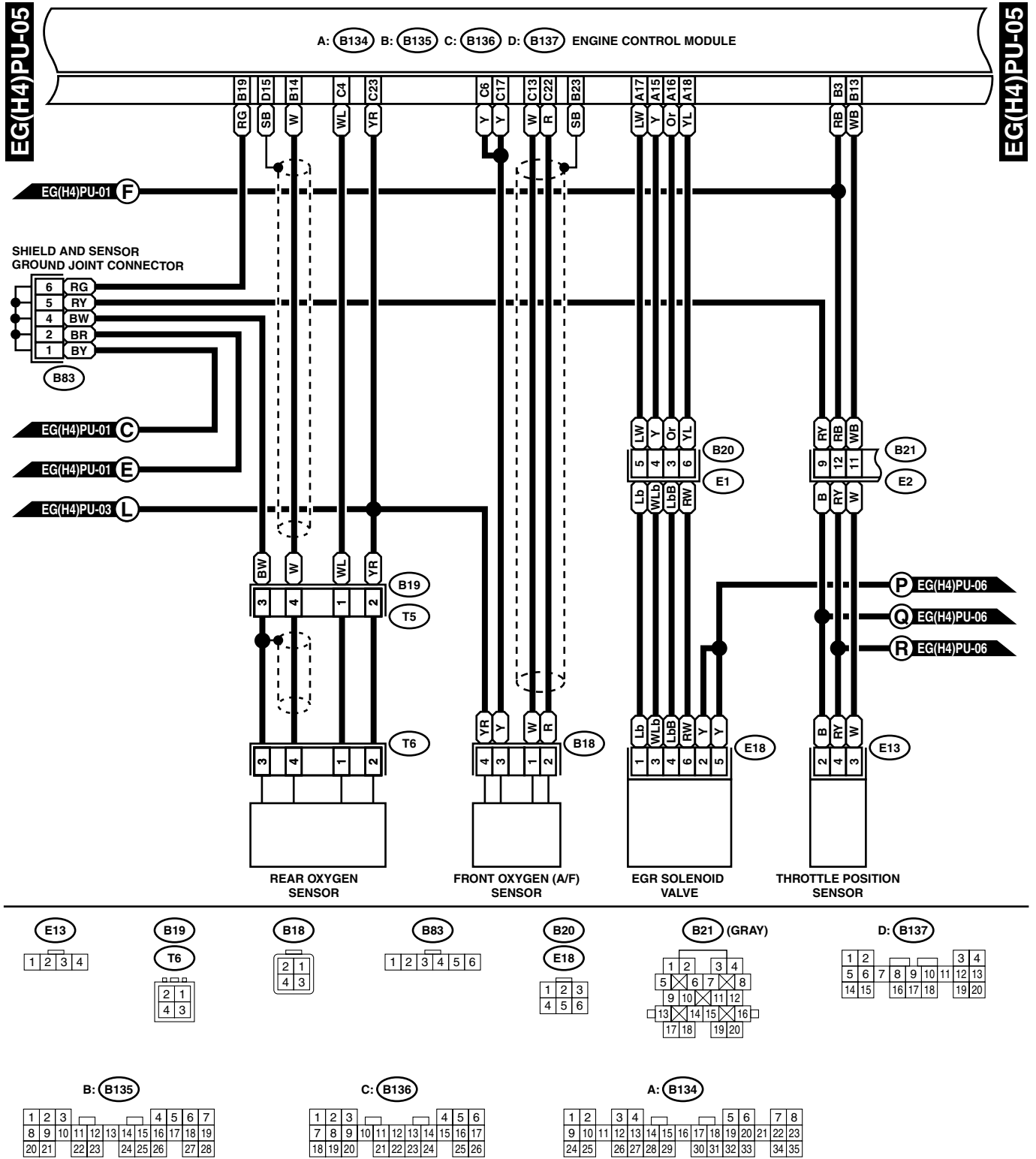
WIRING SYSTEM



WI-00614

# ENGINE ELECTRICAL SYSTEM

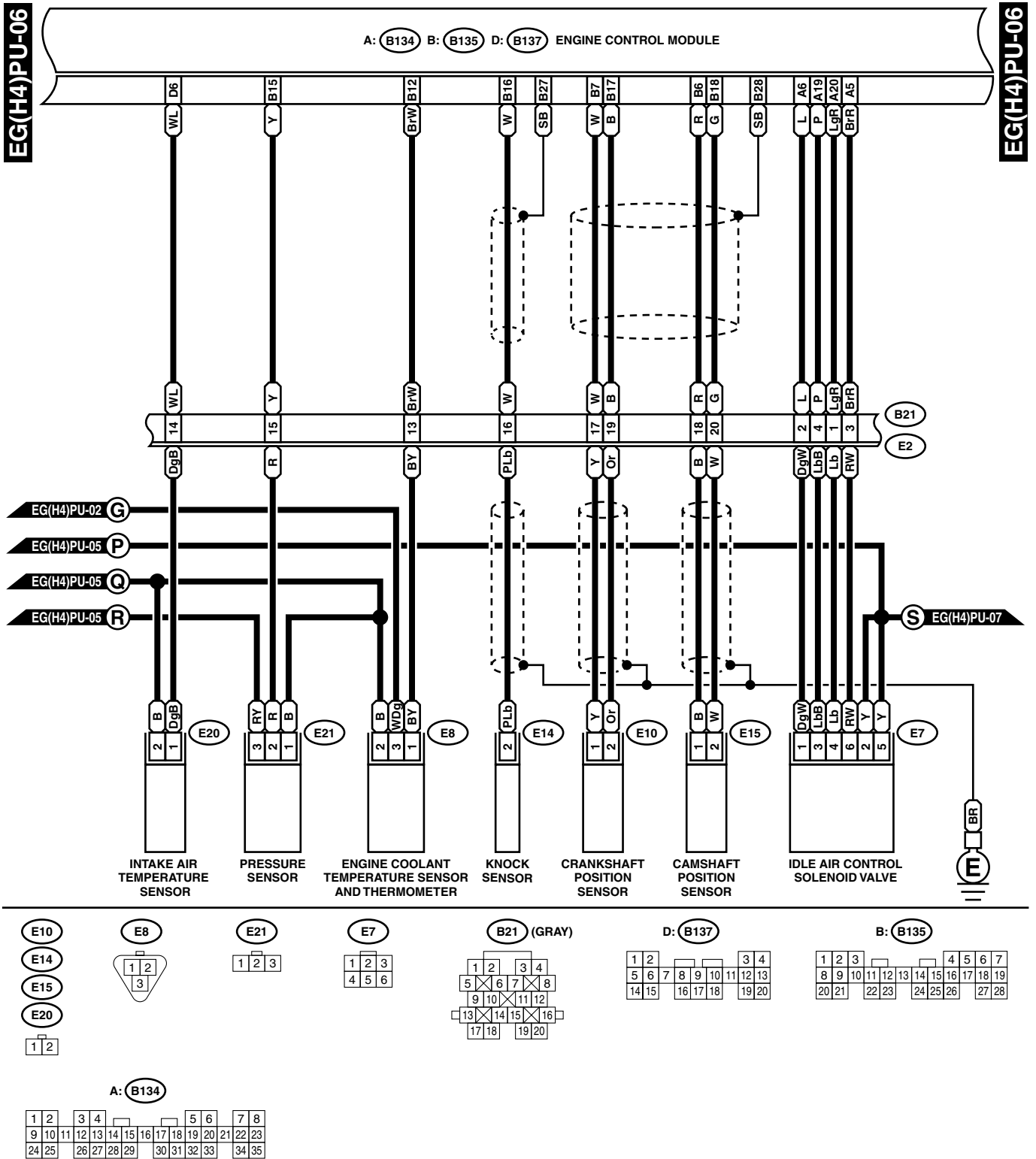
WIRING SYSTEM



WI-03889

# ENGINE ELECTRICAL SYSTEM

WIRING SYSTEM

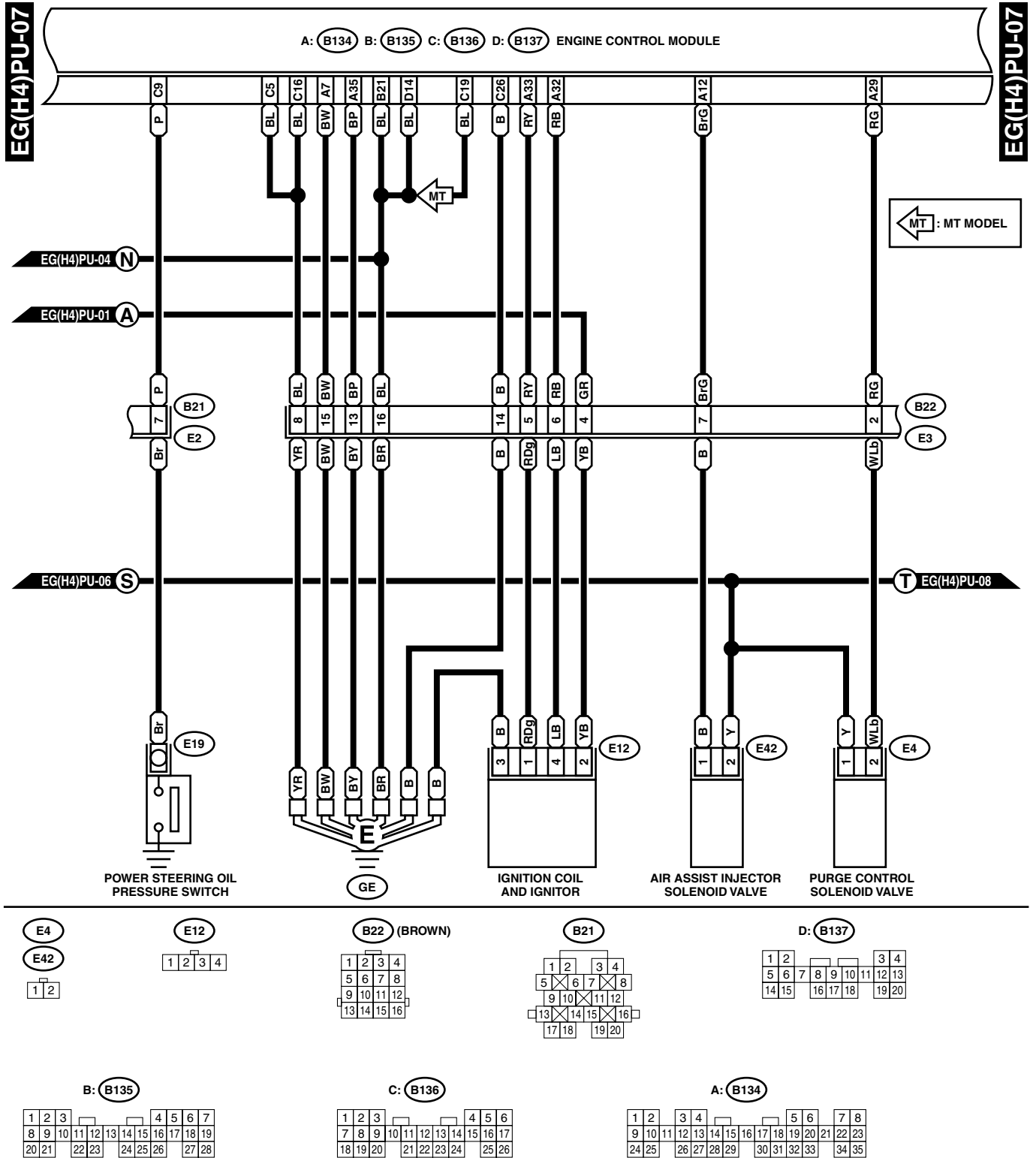


WI-03528



# ENGINE ELECTRICAL SYSTEM

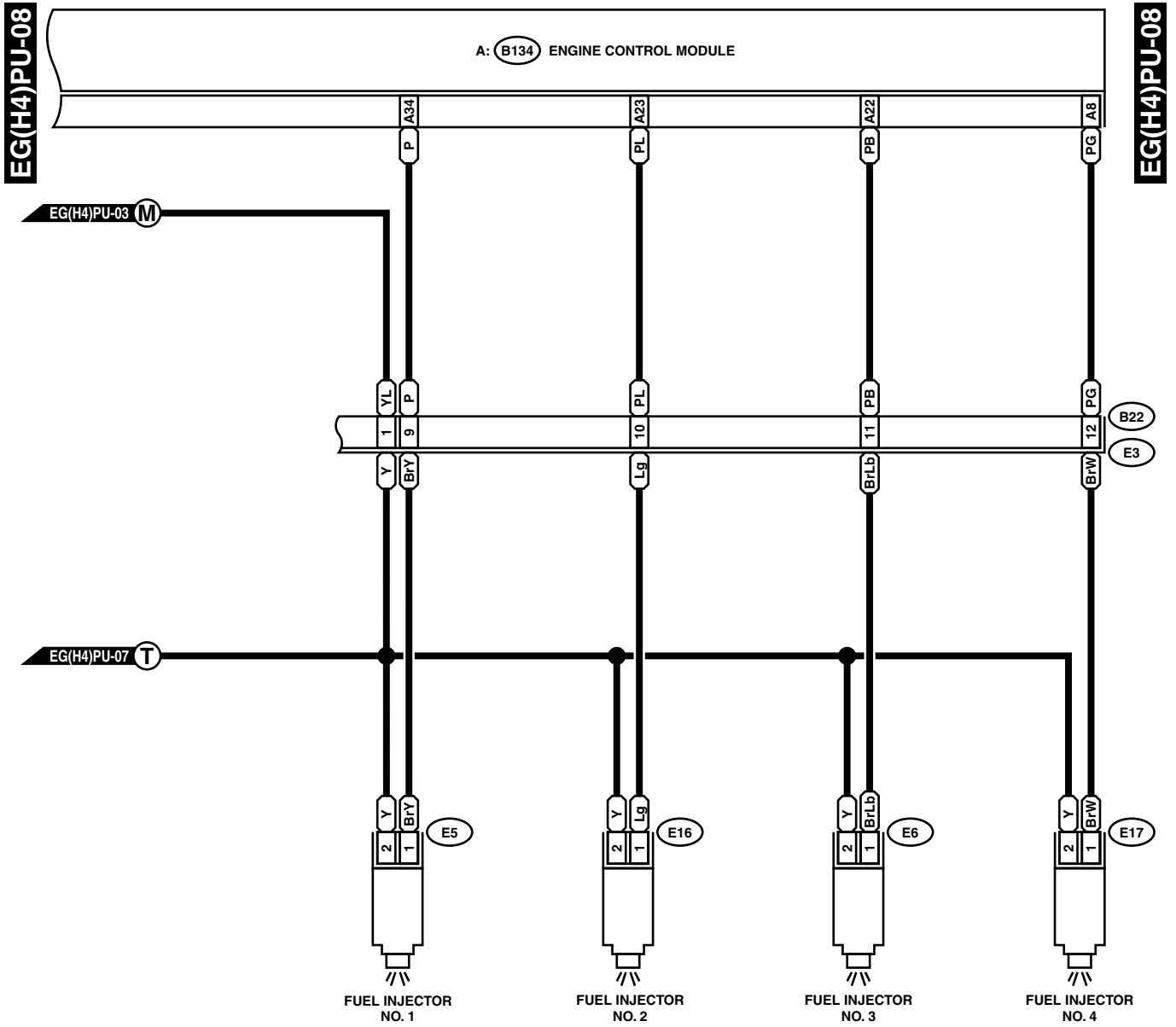
WIRING SYSTEM



WI-00617

# ENGINE ELECTRICAL SYSTEM

WIRING SYSTEM



- (E5)
- (E6)
- (E16)
- (E17)
- 1 2

(B22) (BROWN)

1	2	3	4
5	6	7	8
9	10	11	12
13	14	15	16

A: (B134)

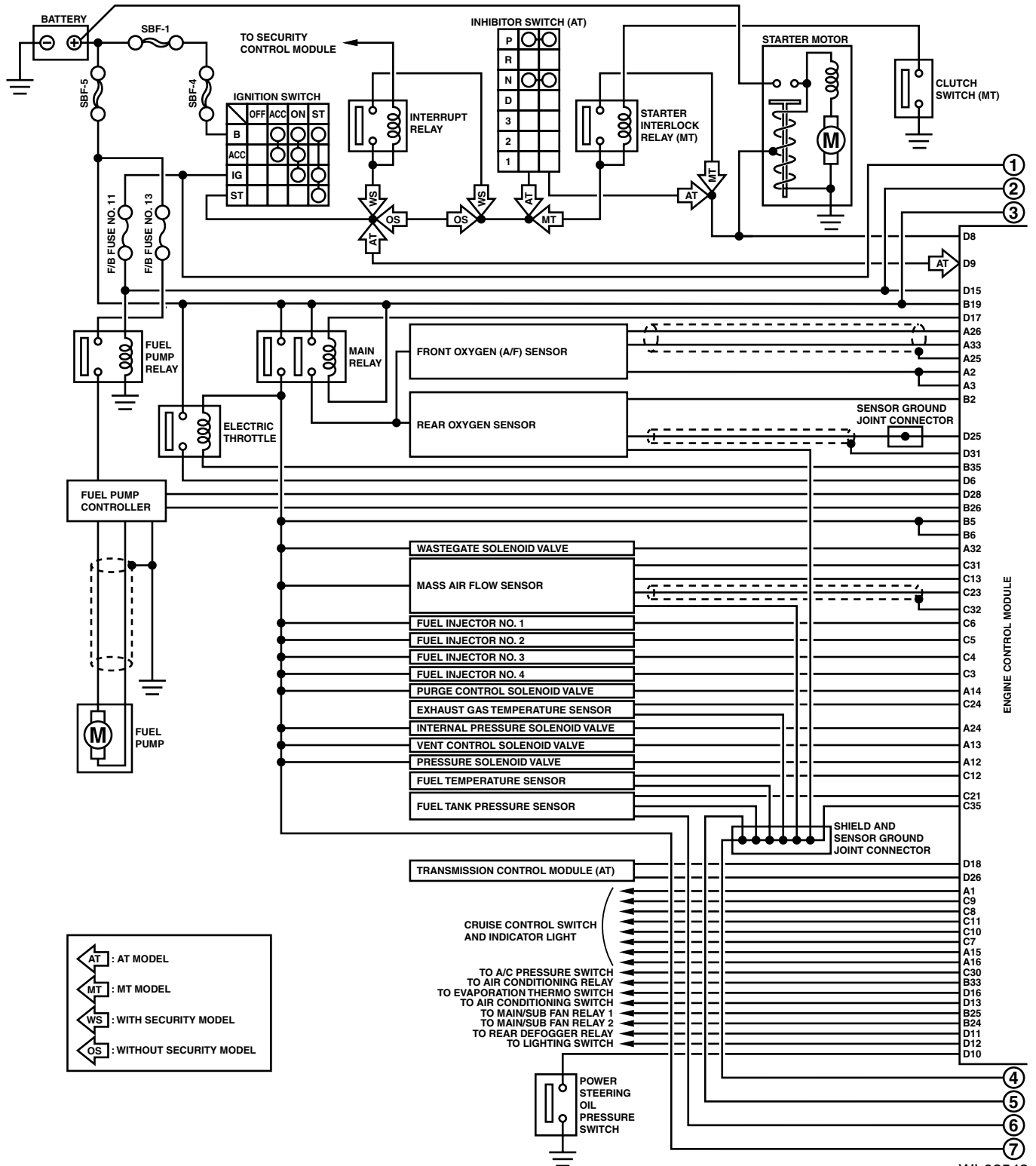
1	2	3	4			5	6	7	8					
9	10	11	12	13	14	15	16	17	18	19	20	21	22	23
24	25	26	27	28	29	30	31	32	33	34	35			

WI-03529

# ENGINE ELECTRICAL SYSTEM

WIRING SYSTEM

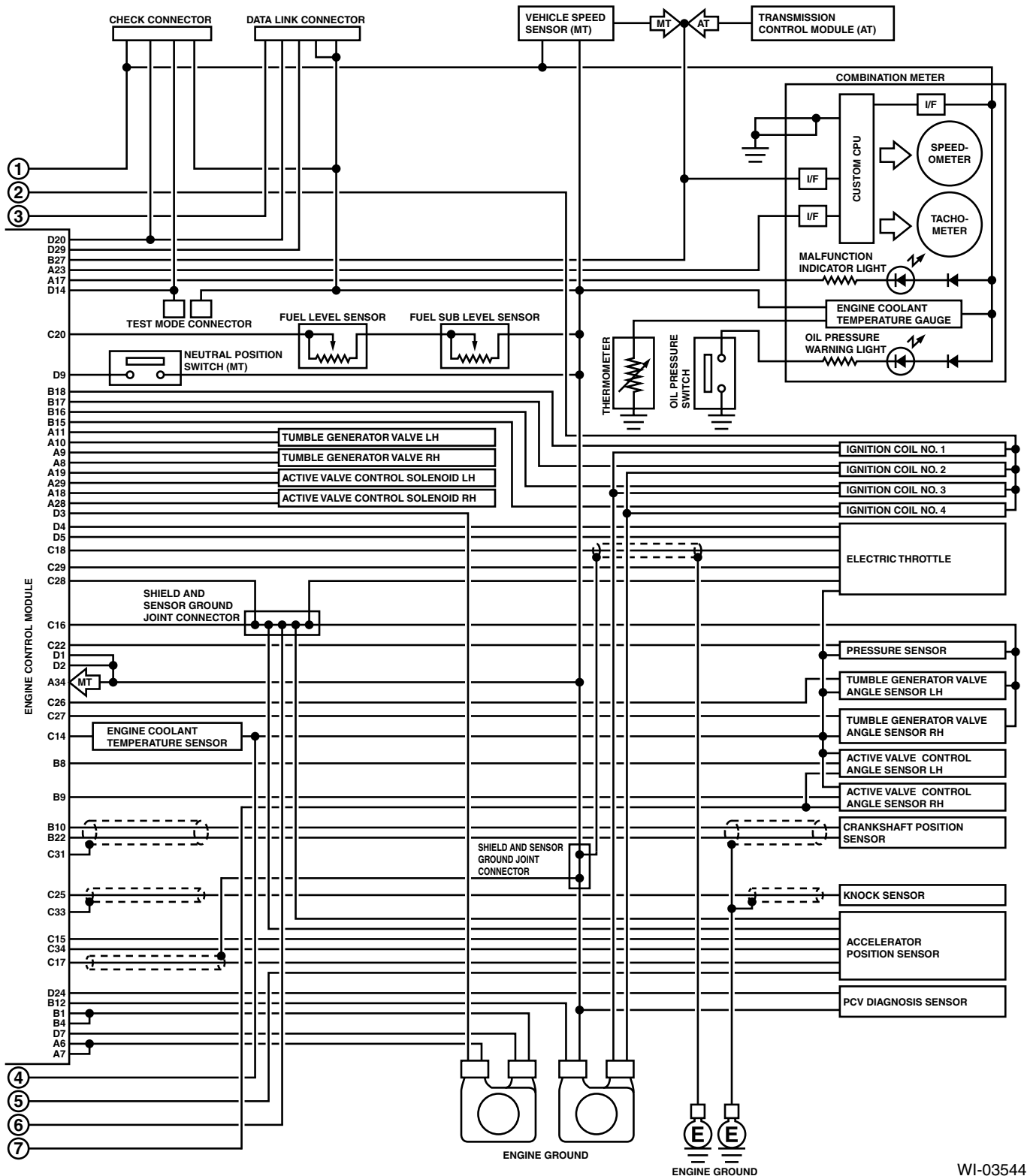
## 4. PICK-UP (4-CYLINDER TURBO ENGINE)



WI-03543

# ENGINE ELECTRICAL SYSTEM

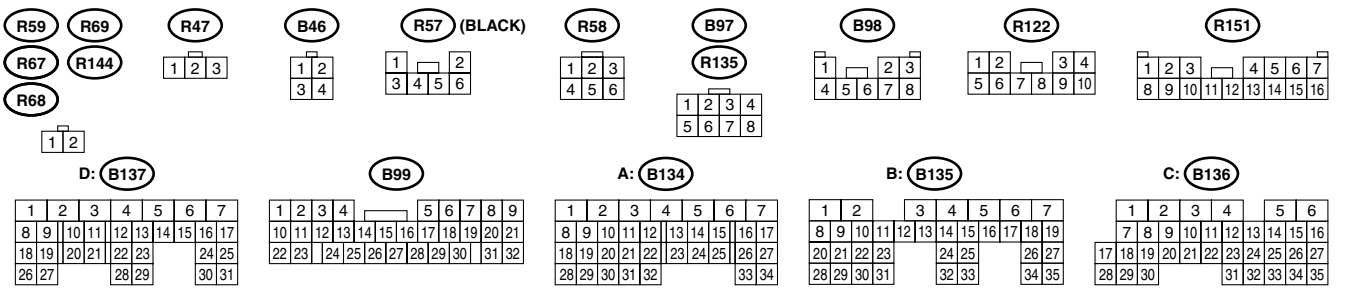
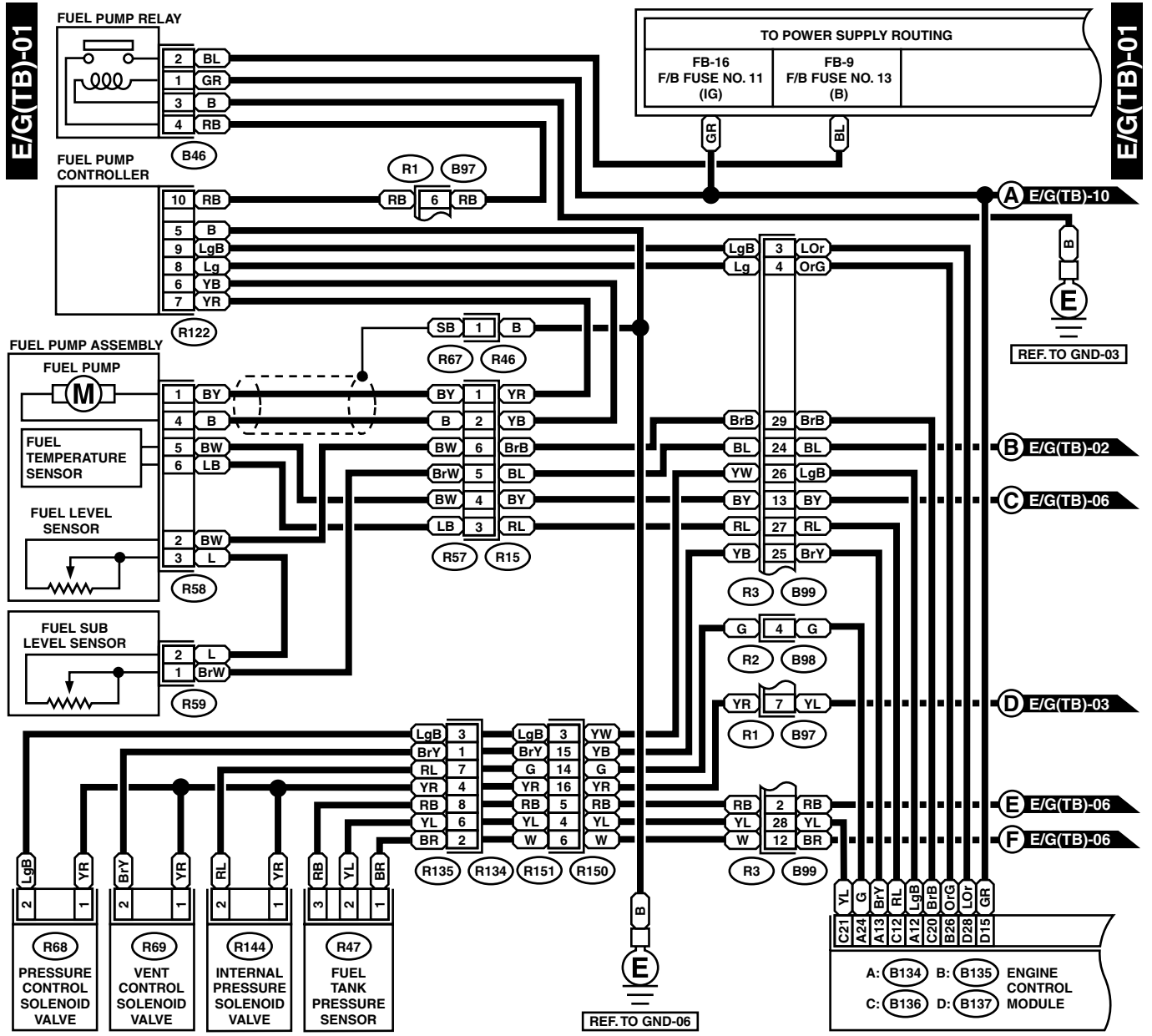
## WIRING SYSTEM



WI-03544

# ENGINE ELECTRICAL SYSTEM

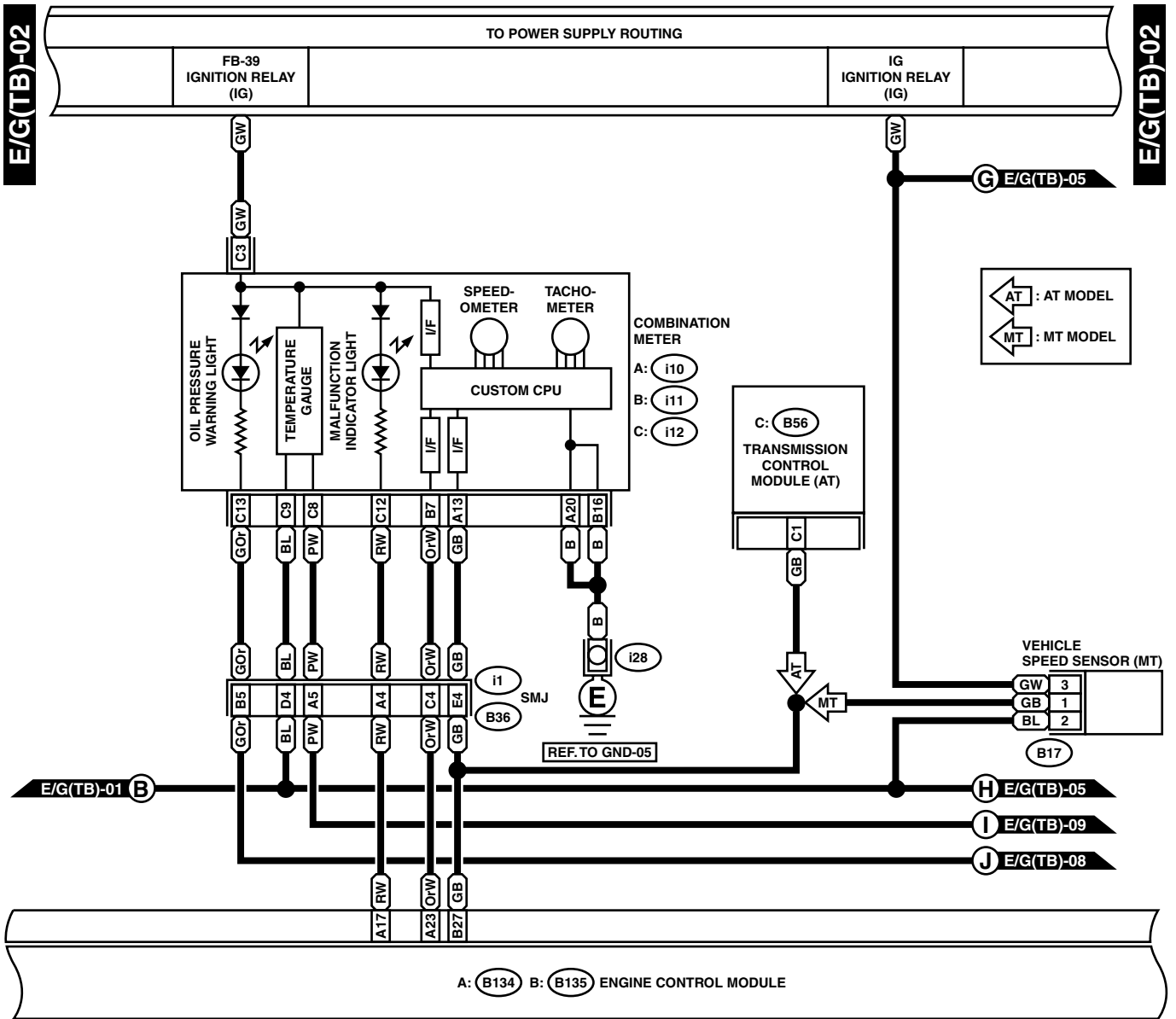
## WIRING SYSTEM



WI-03545

# ENGINE ELECTRICAL SYSTEM

WIRING SYSTEM



B17

1	2
3	4

C: i12 (GREEN)

1	2	3	4	5	6		
7	8	9	10	11	12	13	14

B: i11 (GREEN)

1	2	3	4	5	6	7		
8	9	10	11	12	13	14	15	16

A: i10 (GREEN)

1	2	3	4	5	6	7	8	9	10	11	12	13	14		
15	16	17	18	19	20	21	22	23	24	25	26	27	28	29	30

C: B56

1	2	3	4	5	6	7	8	9			
10	11	12	13	14	15	16	17	18	19	20	21
22	23	24	25	26	27	28	29	30	31		

A: B134

1	2	3	4	5	6	7			
8	9	10	11	12	13	14	15	16	17
18	19	20	21	22	23	24	25	26	27
28	29	30	31	32	33	34			

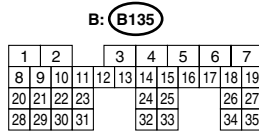
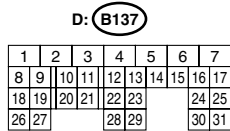
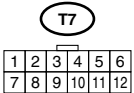
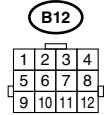
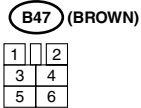
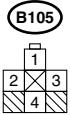
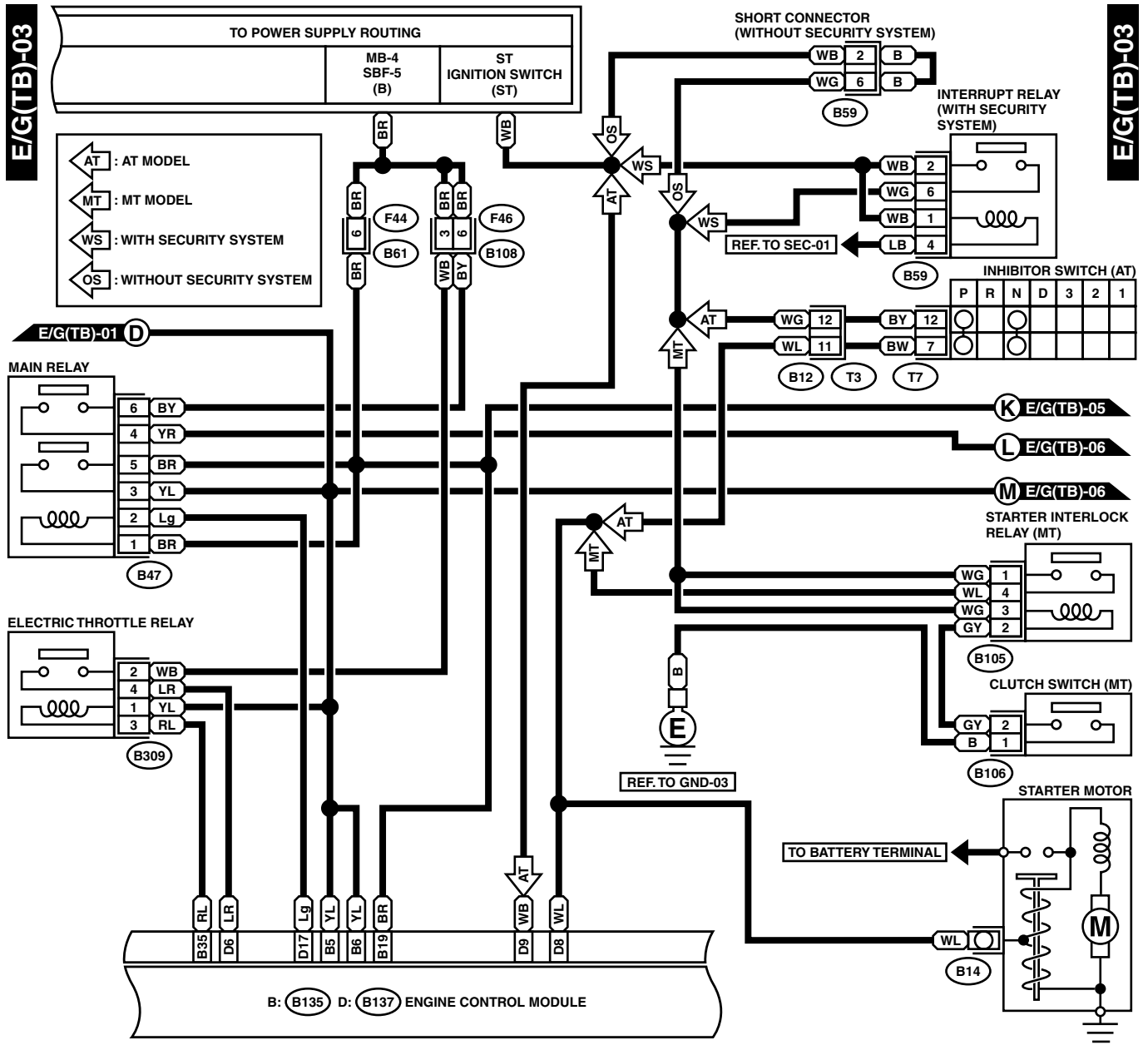
B: B135

1	2	3	4	5	6	7					
8	9	10	11	12	13	14	15	16	17	18	19
20	21	22	23	24	25	26	27				
28	29	30	31	32	33	34	35				

WI-03546

# ENGINE ELECTRICAL SYSTEM

WIRING SYSTEM



WI-03547

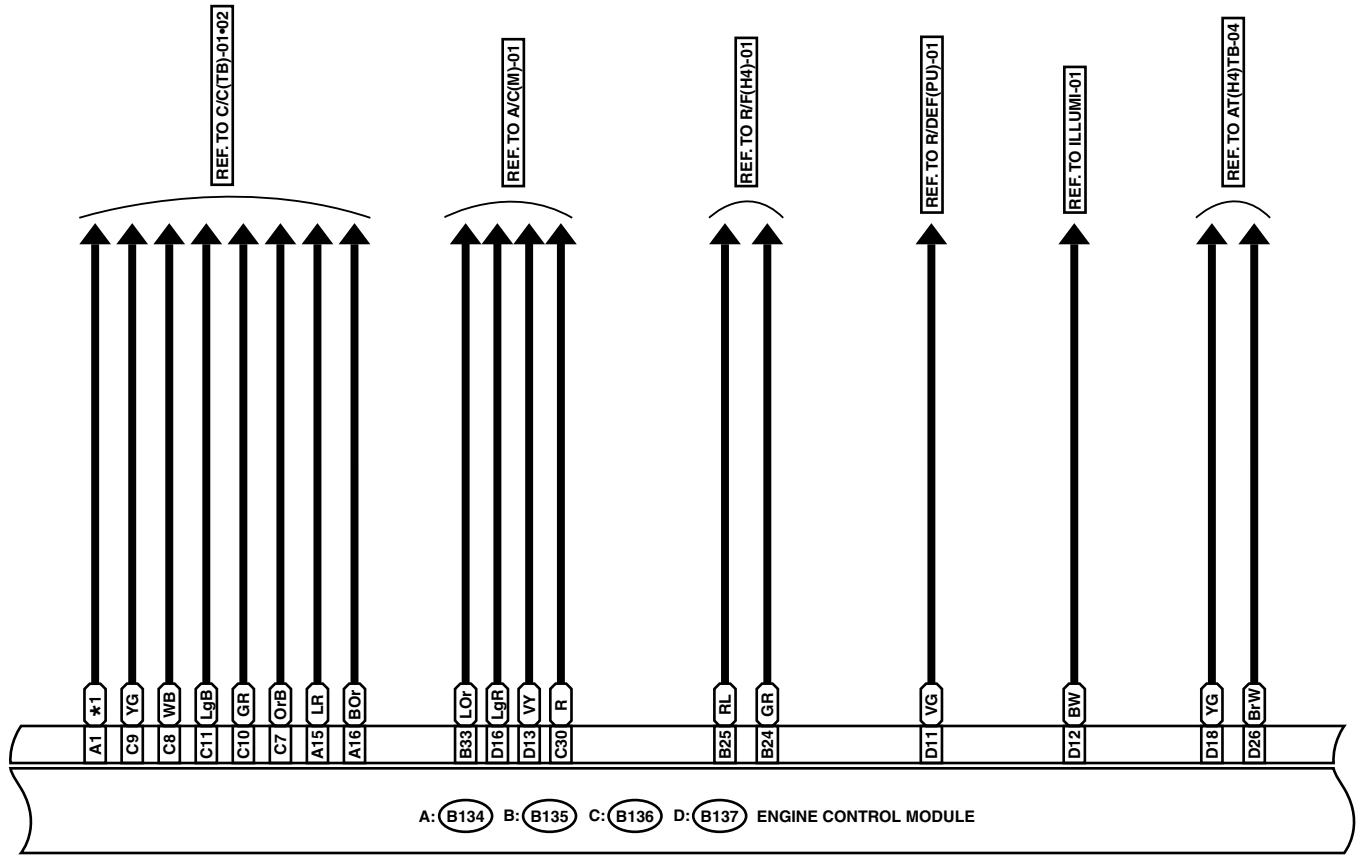
# ENGINE ELECTRICAL SYSTEM

WIRING SYSTEM

E/G(TB)-04

E/G(TB)-04

\*1 : AT MODEL : GR  
MT MODEL : YR



D: (B137)

1	2	3	4	5	6	7
8	9	10	11	12	13	14
15	16	17	18	19	20	21
22	23	24	25	26	27	28
29	30	31	32	33	34	35

A: (B134)

1	2	3	4	5	6	7
8	9	10	11	12	13	14
15	16	17	18	19	20	21
22	23	24	25	26	27	28
29	30	31	32	33	34	35

B: (B135)

1	2	3	4	5	6	7
8	9	10	11	12	13	14
15	16	17	18	19	20	21
22	23	24	25	26	27	28
29	30	31	32	33	34	35

C: (B136)

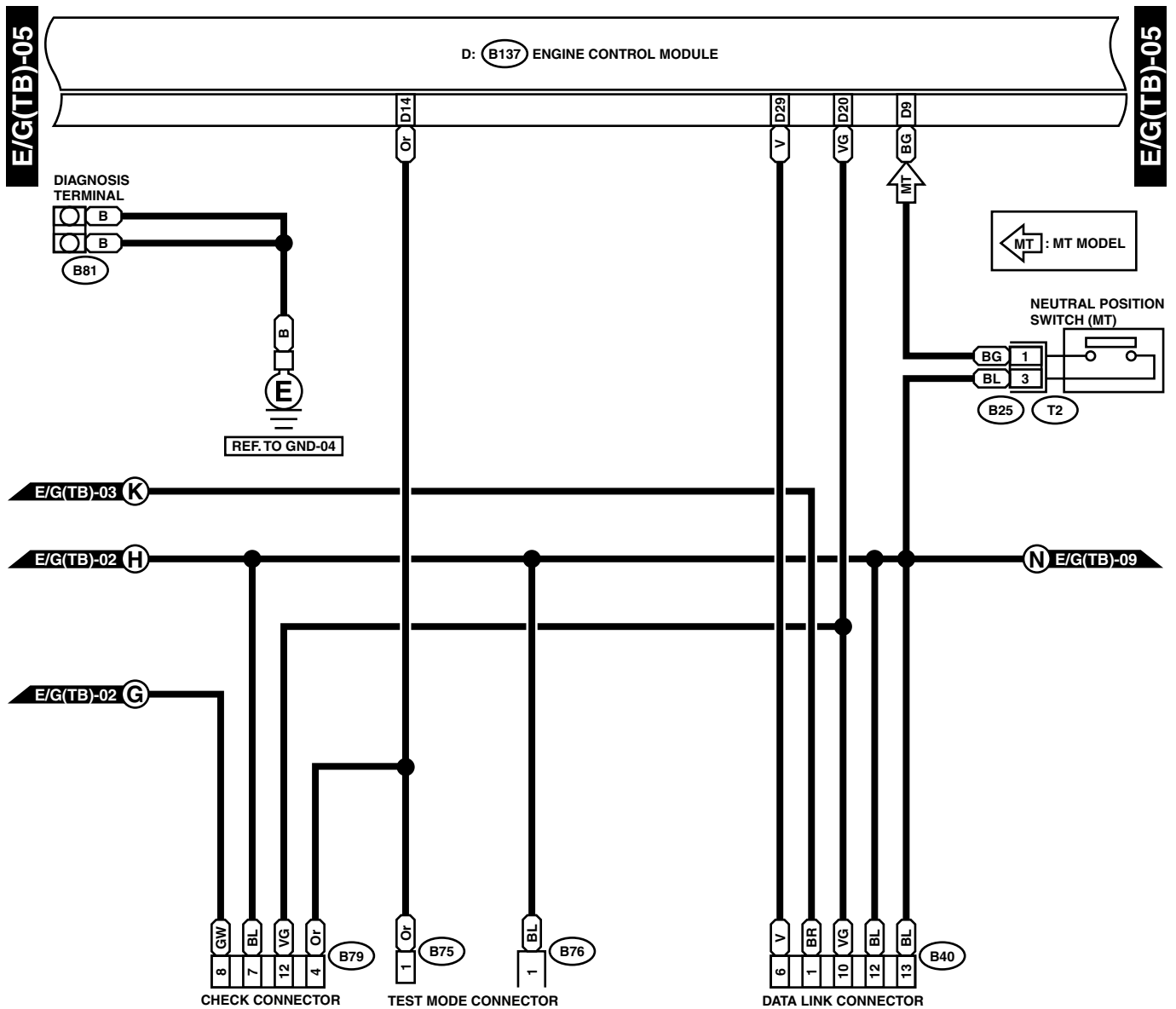
1	2	3	4	5	6
7	8	9	10	11	12
13	14	15	16	17	18
19	20	21	22	23	24
25	26	27	28	29	30
31	32	33	34	35	36

WI-03548



# ENGINE ELECTRICAL SYSTEM

WIRING SYSTEM



B75 (GREEN)



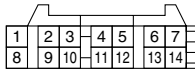
B76 (GREEN)



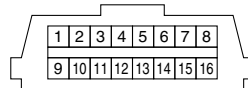
B25 (GRAY)



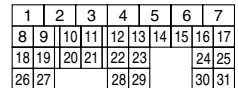
B79 (GRAY)



B40



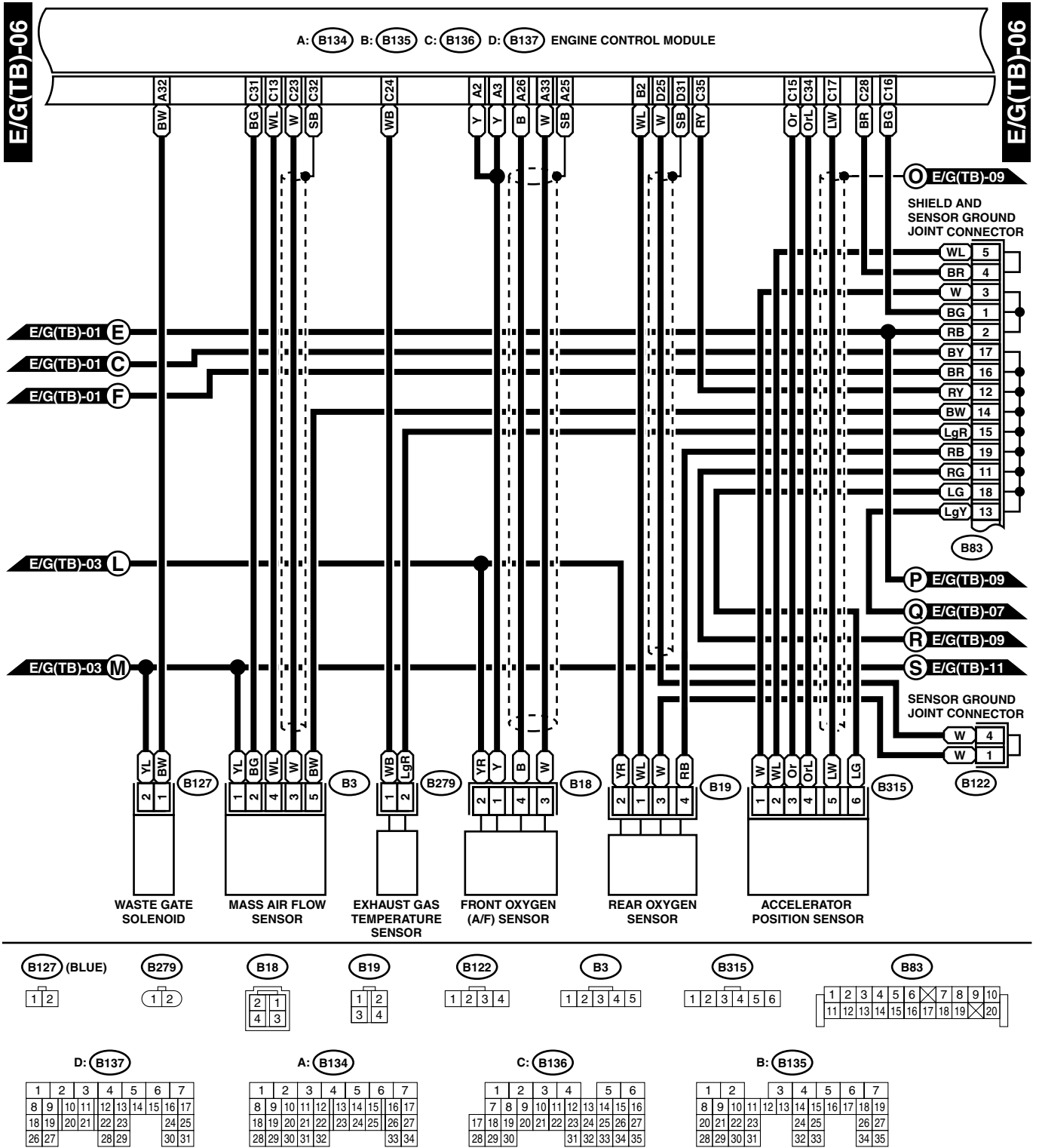
D: B137



WI-03549

# ENGINE ELECTRICAL SYSTEM

WIRING SYSTEM

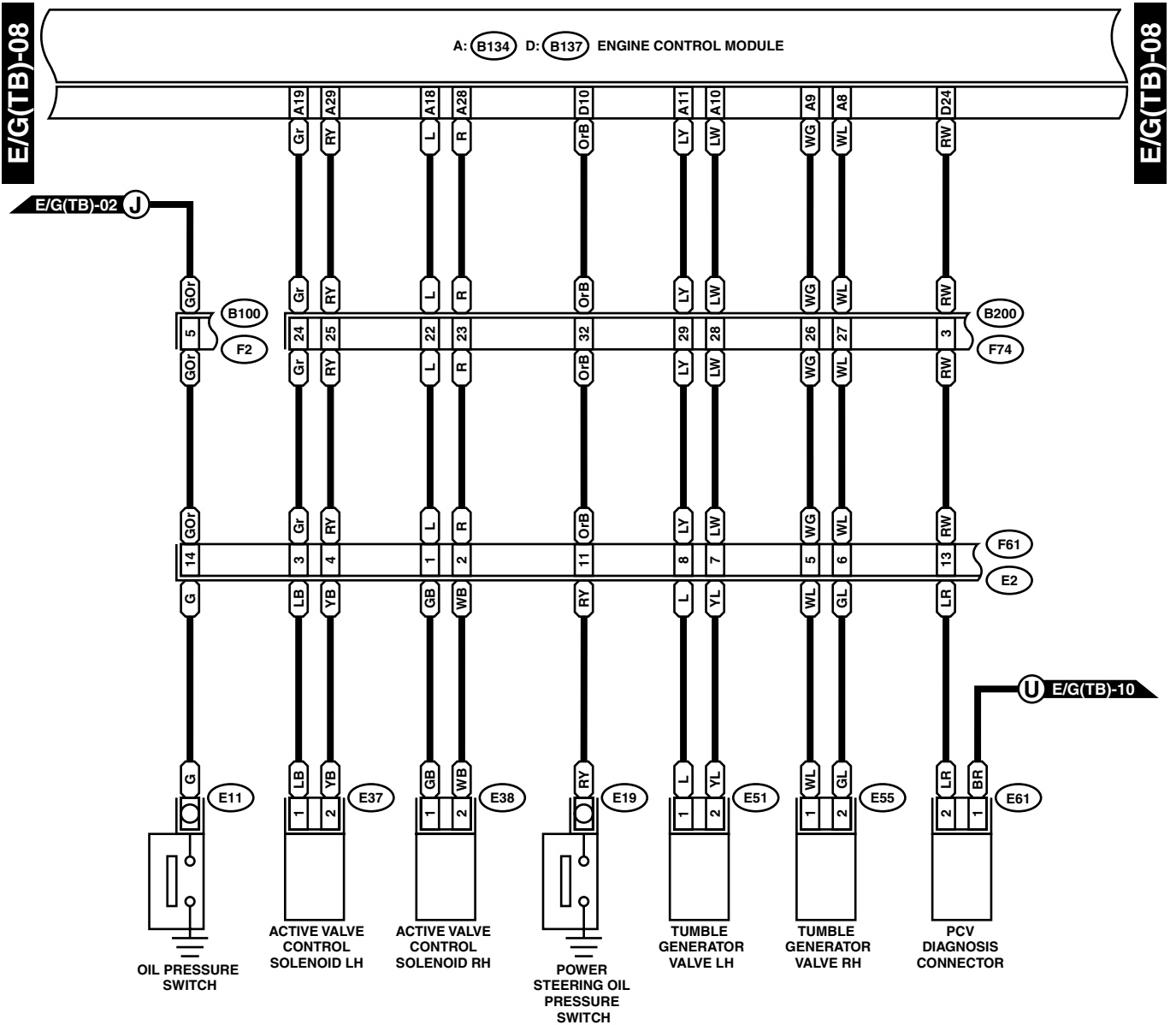


WI-03550



# ENGINE ELECTRICAL SYSTEM

WIRING SYSTEM



- E37 (BLUE)
- E38 (BLUE)
- E51 (BLACK)
- E55 (BLACK)
- E61 (DARK GRAY)

F2 (BLUE)

1	2	3	4	5	6	7	8
9	10	11	12	13	14	15	16

F61 (BLACK)

1	2	3	4
5	6	7	8
9	10	11	12
13	14	15	16
17	18	19	20

D: B137

1	2	3	4	5	6	7
8	9	10	11	12	13	14
15	16	17	18	19	20	21
22	23	24	25	26	27	28
29	30	31	32	33	34	35

F74

1	2	3	4	5	6	7	8	9
10	11	12	13	14	15	16	17	18
19	20	21	22	23	24	25	26	27
28	29	30	31	32	33	34	35	36

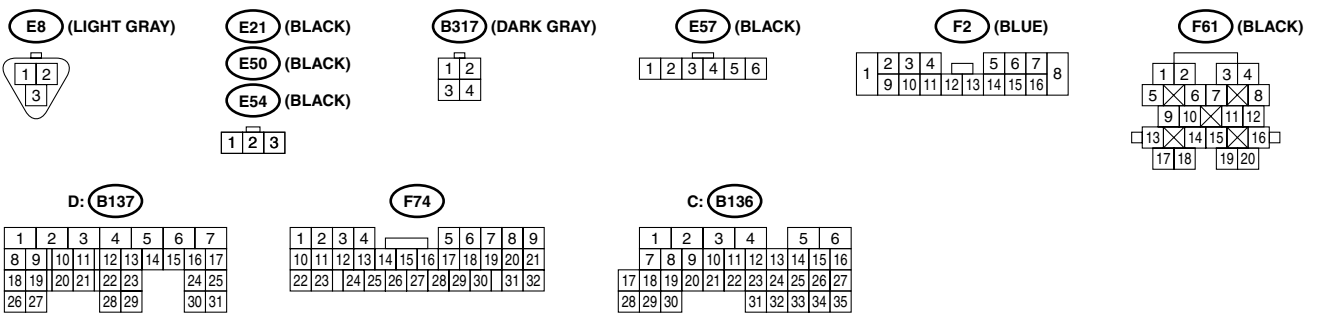
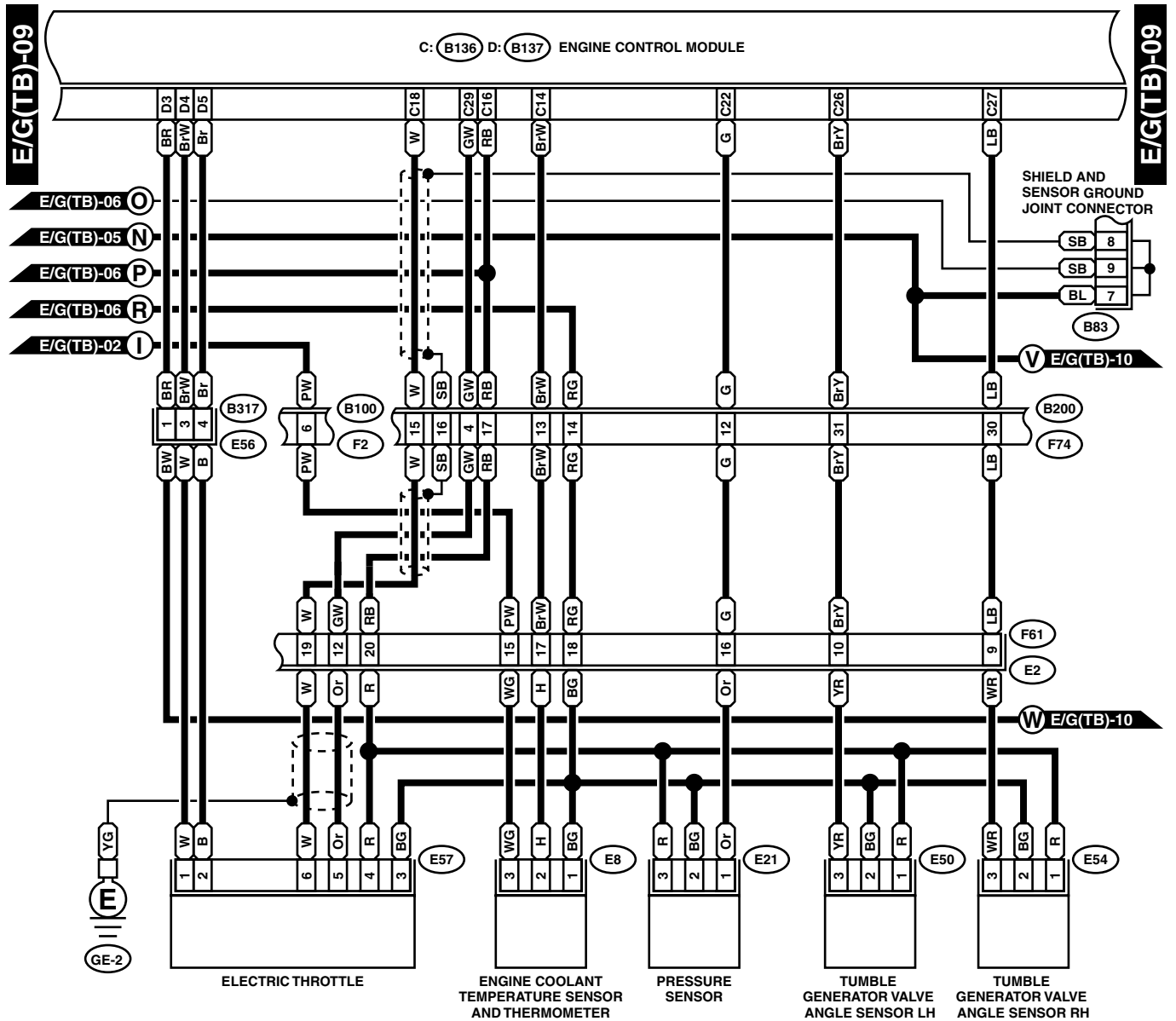
A: B134

1	2	3	4	5	6	7
8	9	10	11	12	13	14
15	16	17	18	19	20	21
22	23	24	25	26	27	28
29	30	31	32	33	34	35

WI-03552

# ENGINE ELECTRICAL SYSTEM

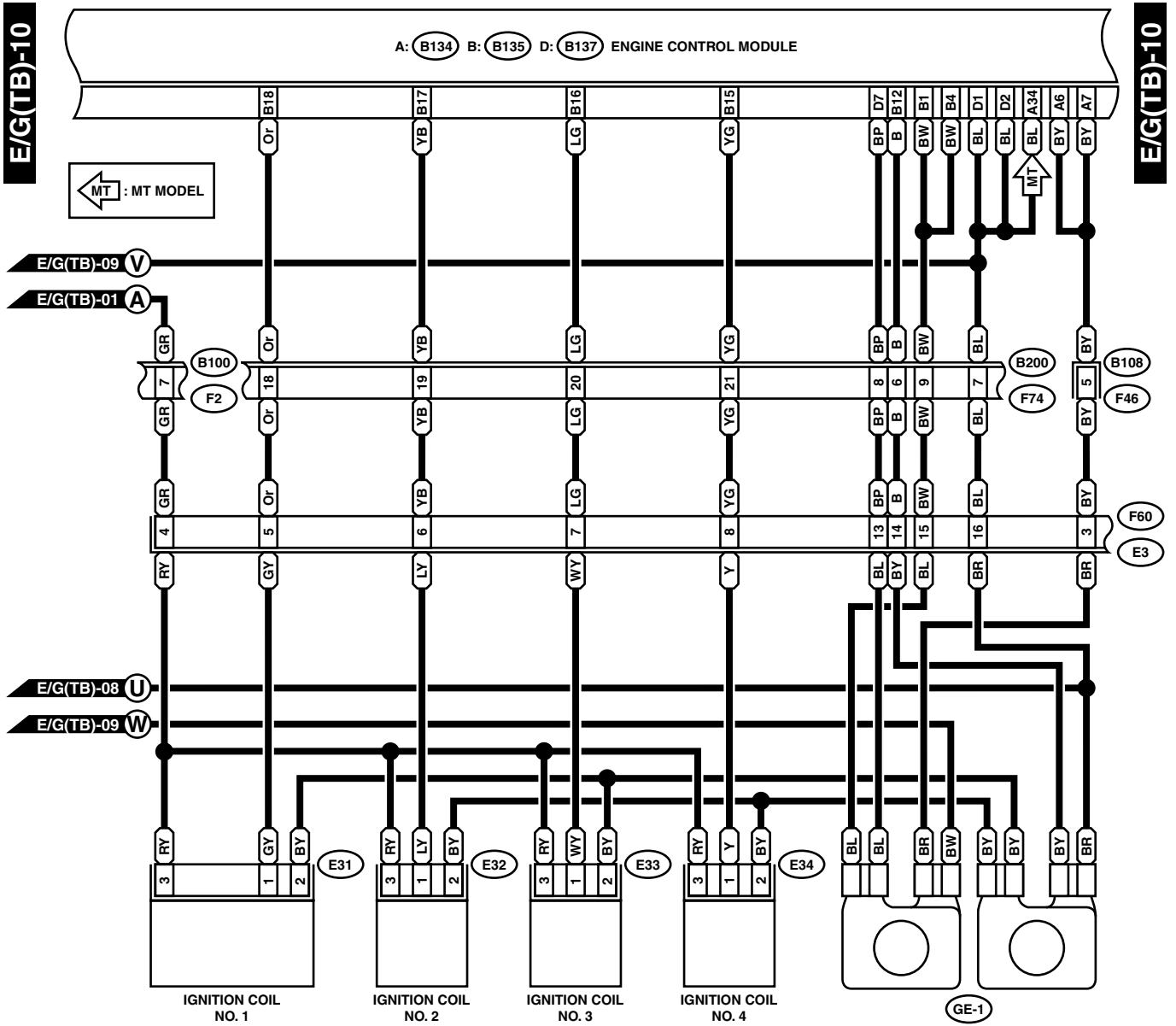
WIRING SYSTEM



WI-03553

# ENGINE ELECTRICAL SYSTEM

WIRING SYSTEM



- (E31)
- (E32)
- (E33) (BLACK)
- (E34) (BLACK)

(F46)

1	2	3
4	5	6

(F2) (BLUE)

1	2	3	4	5	6	7	8
9	10	11	12	13	14	15	16

(F60)

1	2	3	4
5	6	7	8
9	10	11	12
13	14	15	16

D: (B137)

1	2	3	4	5	6	7
8	9	10	11	12	13	14
15	16	17	18	19	20	21
22	23	24	25	26	27	28
29	30	31	32	33	34	35

(F74)

1	2	3	4	5	6	7	8	9
10	11	12	13	14	15	16	17	18
19	20	21	22	23	24	25	26	27
28	29	30	31	32	33	34	35	36

- 1
- 2
- 3

A: (B134)

1	2	3	4	5	6	7
8	9	10	11	12	13	14
15	16	17	18	19	20	21
22	23	24	25	26	27	28
29	30	31	32	33	34	35

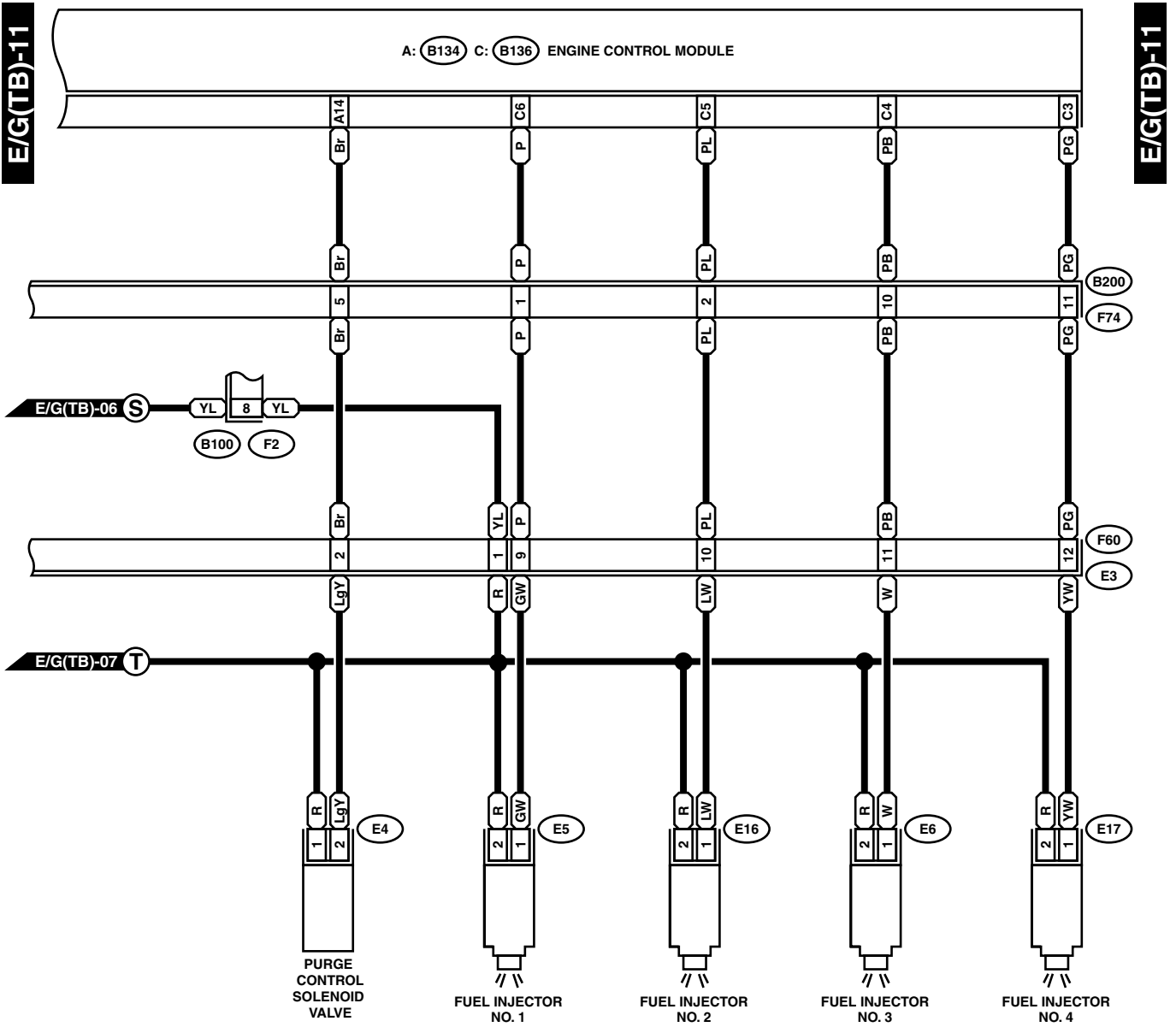
B: (B135)

1	2	3	4	5	6	7
8	9	10	11	12	13	14
15	16	17	18	19	20	21
22	23	24	25	26	27	28
29	30	31	32	33	34	35

WI-03554

# ENGINE ELECTRICAL SYSTEM

WIRING SYSTEM



E4 (BLACK)



E5 (DARK GRAY)

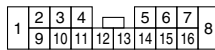
E6 (DARK GRAY)

E16 (DARK GRAY)

E17 (DARK GRAY)



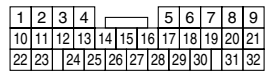
F2 (BLUE)



F60



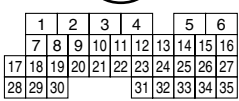
F74



A: B134



C: B136



WI-03555

# ENGINE ELECTRICAL SYSTEM

WIRING SYSTEM

---

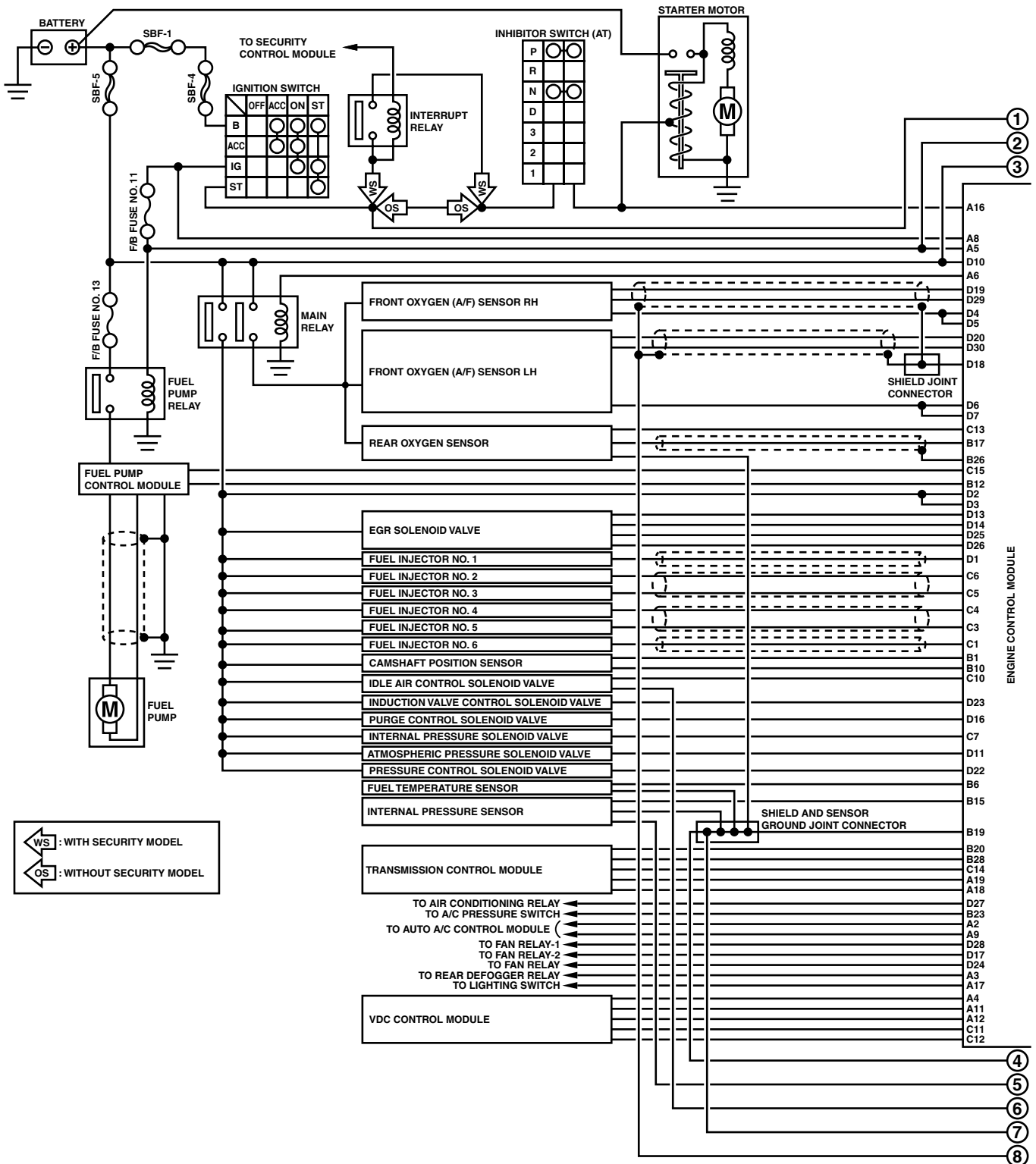
MEMO:



# ENGINE ELECTRICAL SYSTEM

## WIRING SYSTEM

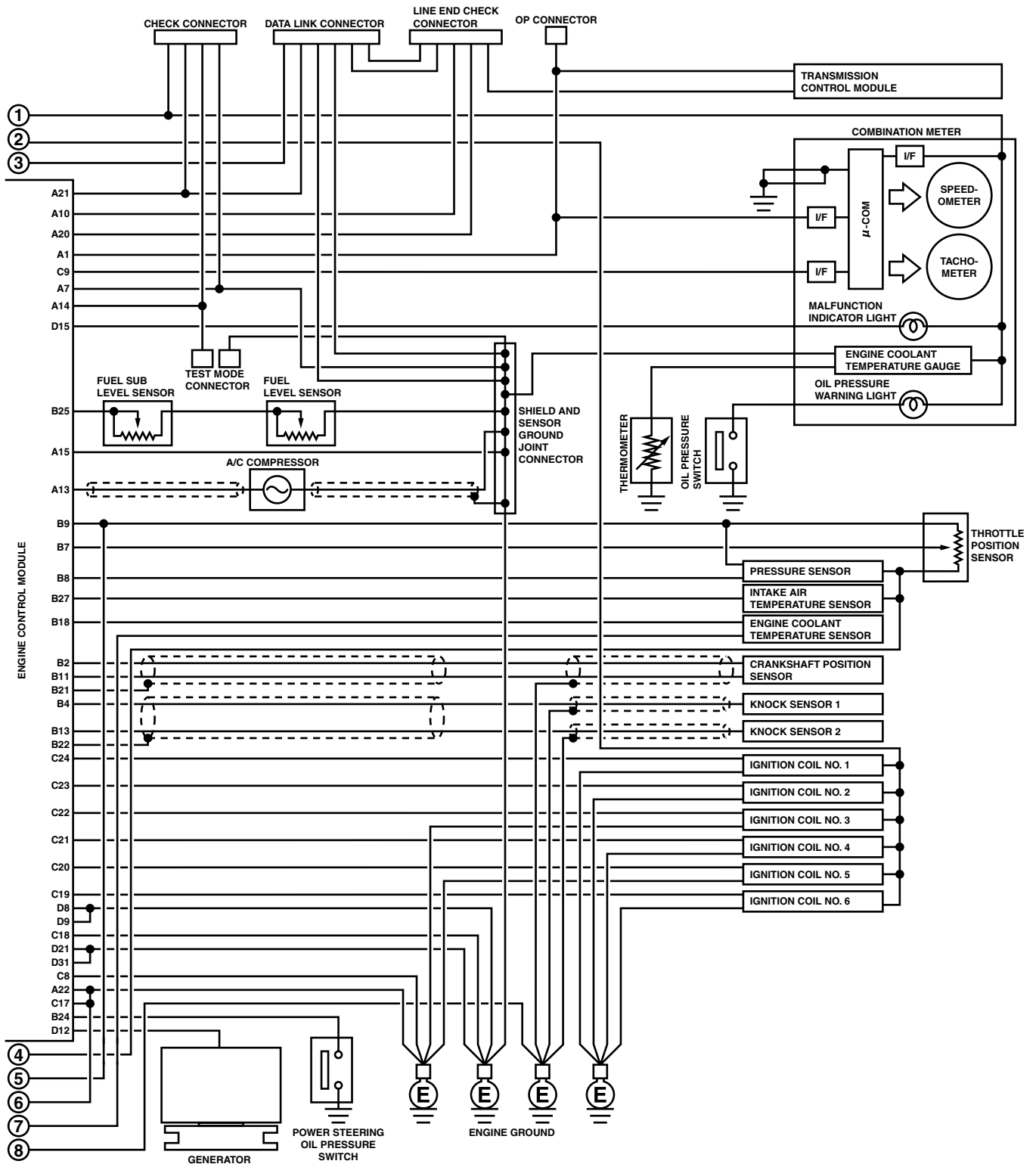
### 5. 6-CYLINDER ENGINE



WI-03556

# ENGINE ELECTRICAL SYSTEM

WIRING SYSTEM



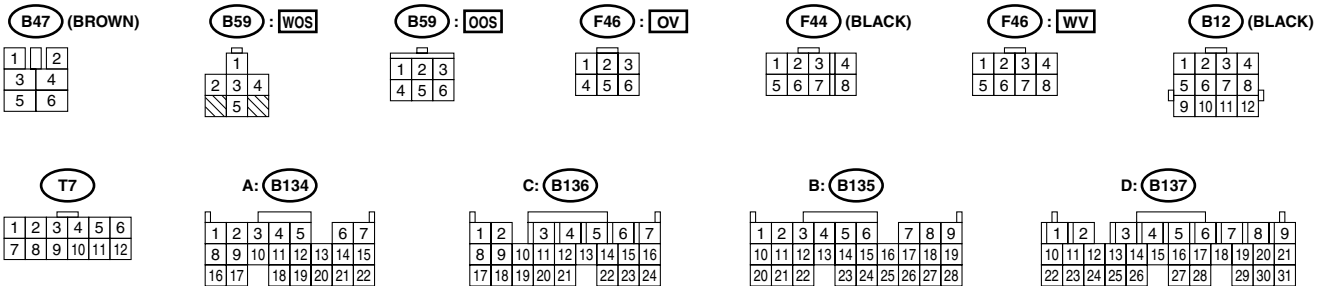
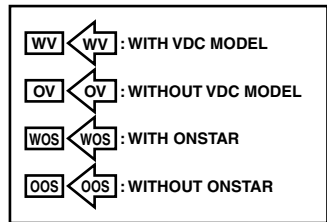
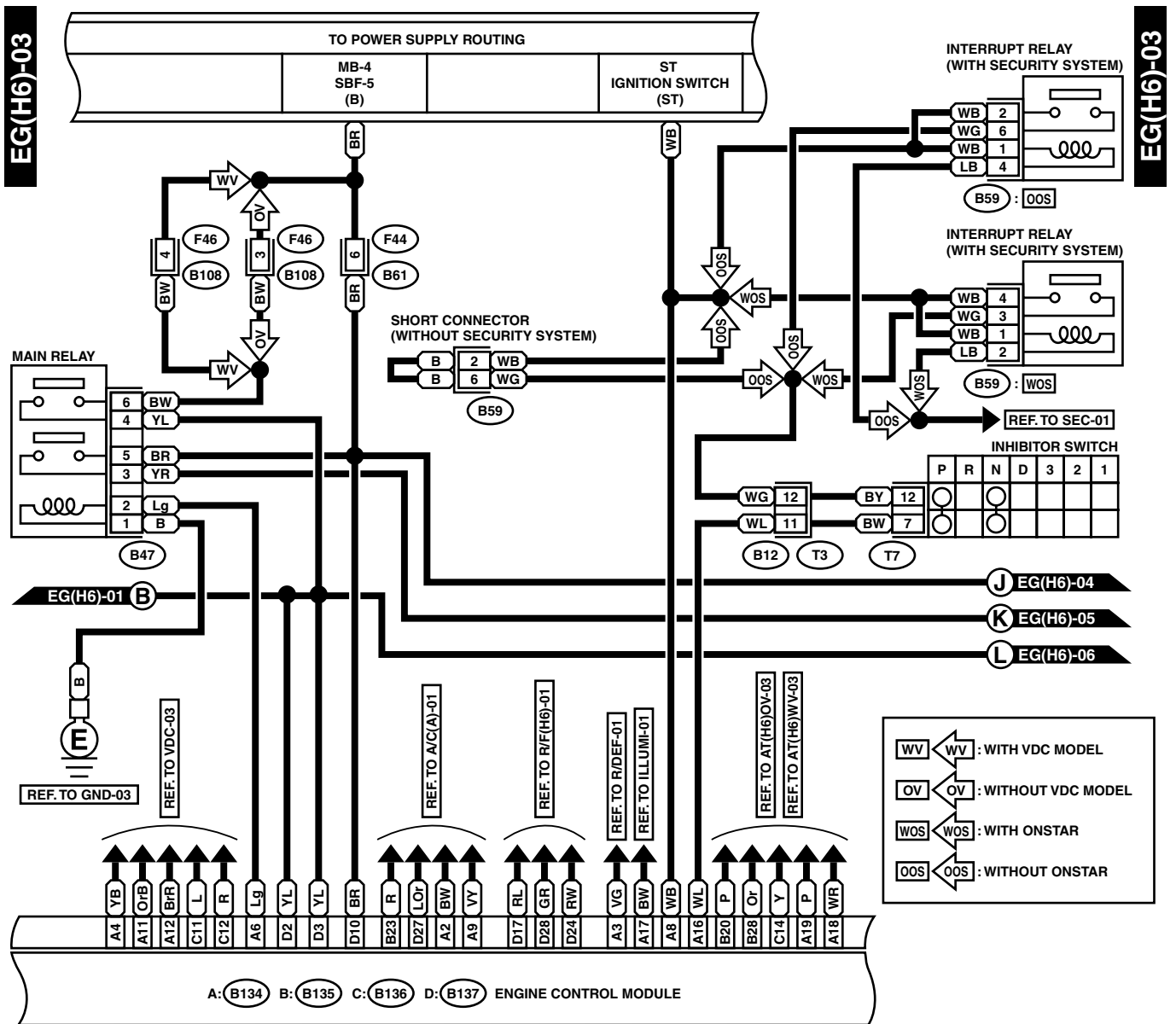
WI-03557





# ENGINE ELECTRICAL SYSTEM

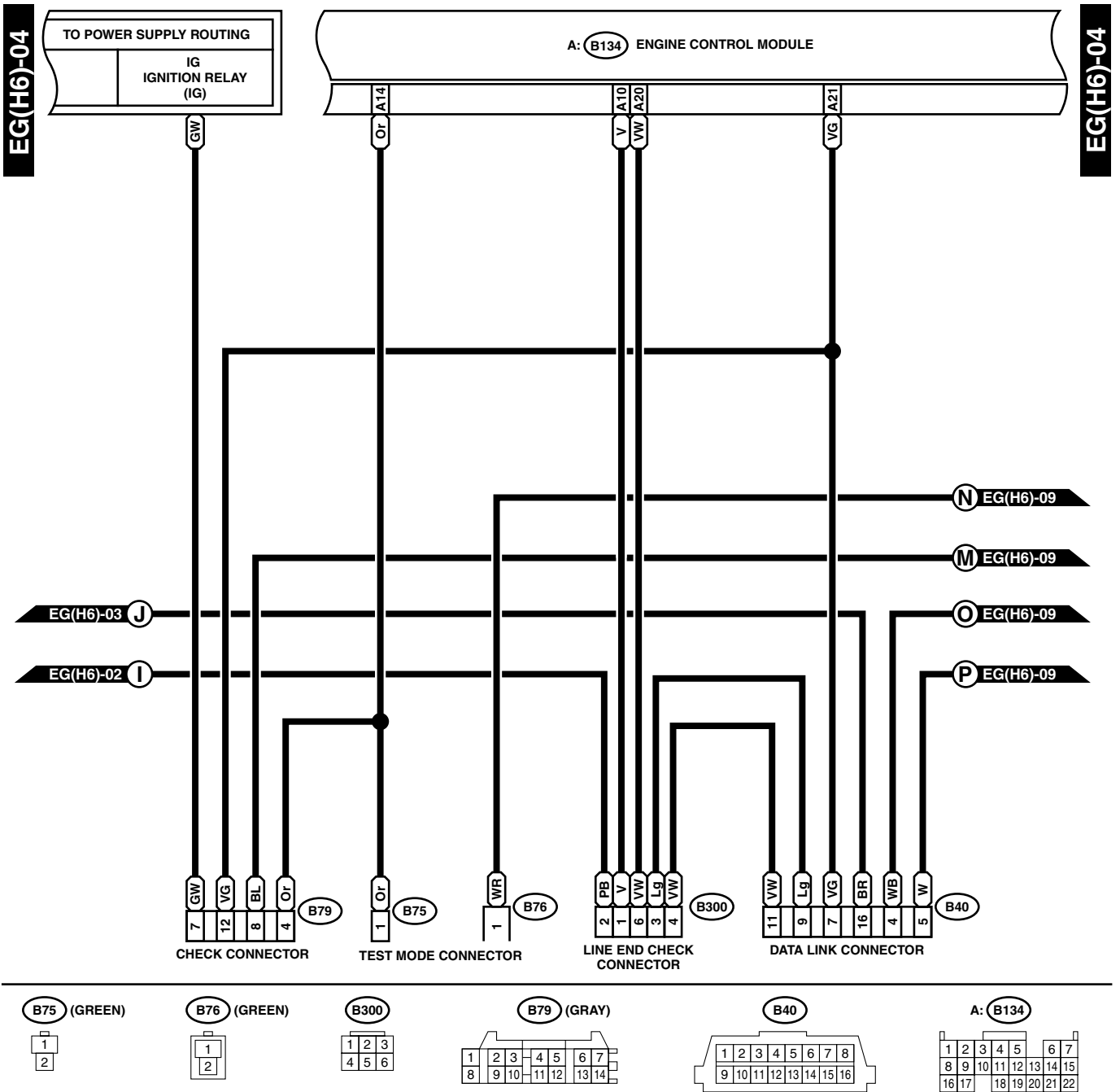
WIRING SYSTEM



WI-03560

# ENGINE ELECTRICAL SYSTEM

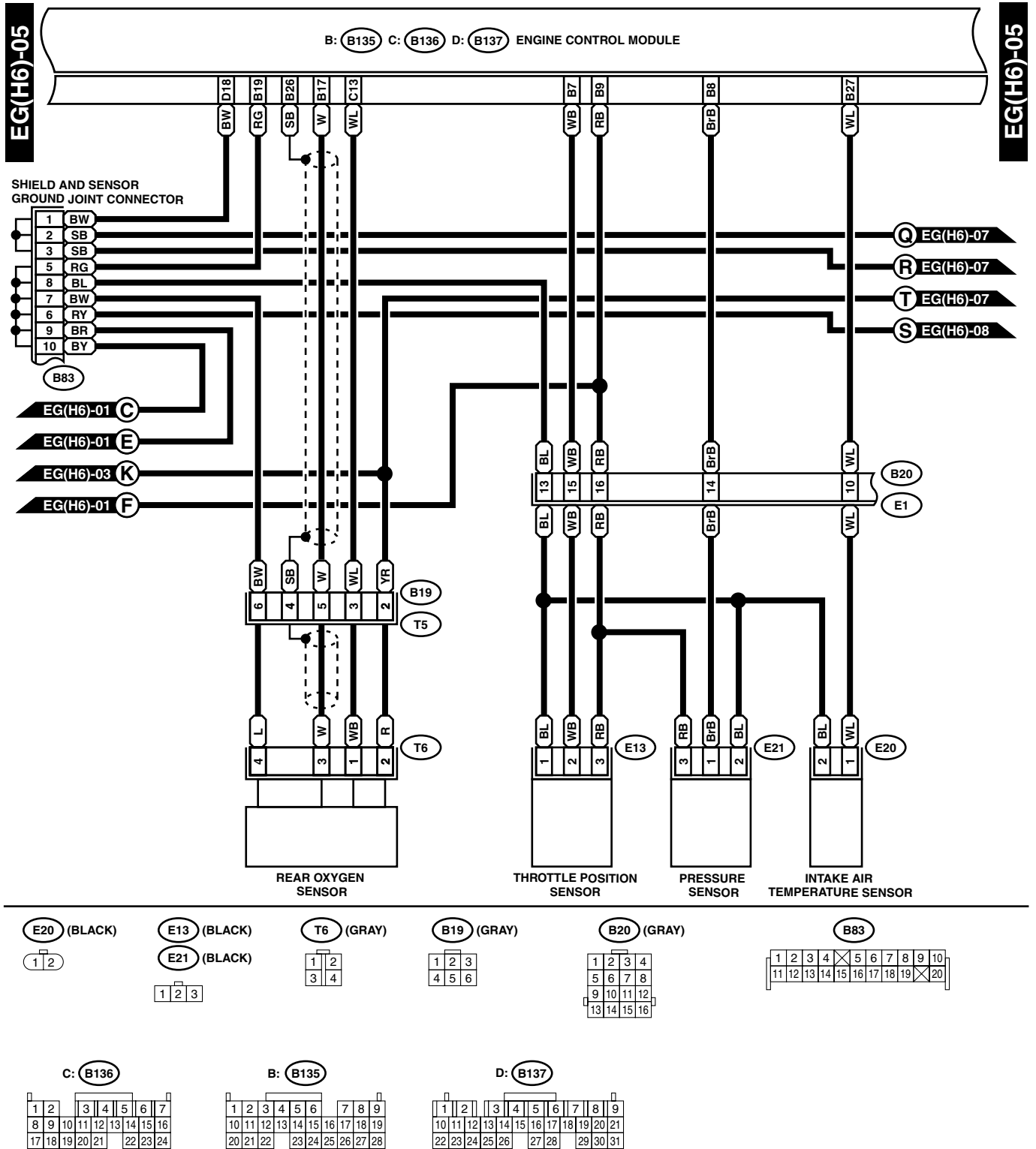
WIRING SYSTEM



WI-03561

# ENGINE ELECTRICAL SYSTEM

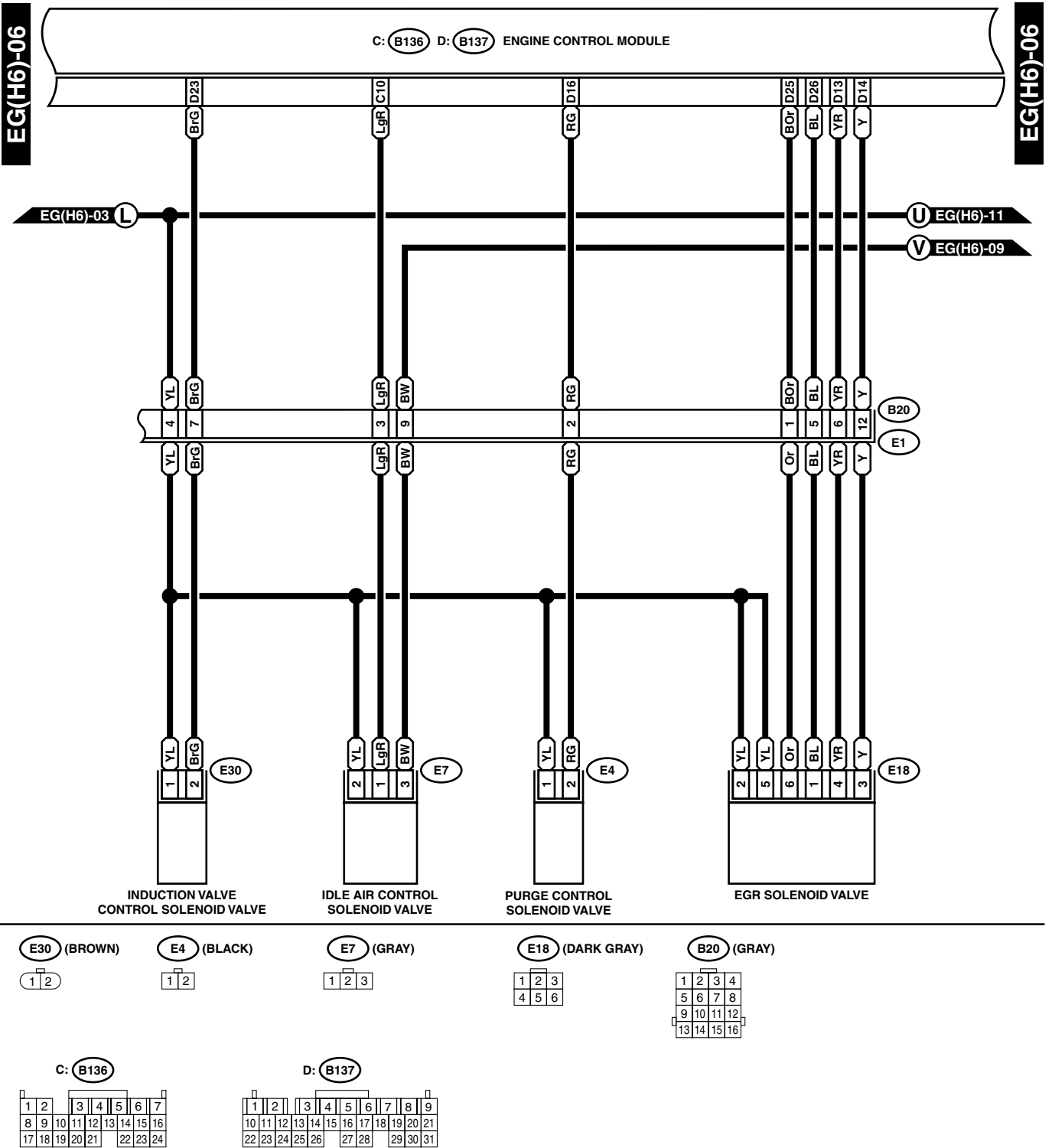
WIRING SYSTEM



WI-03891

# ENGINE ELECTRICAL SYSTEM

WIRING SYSTEM

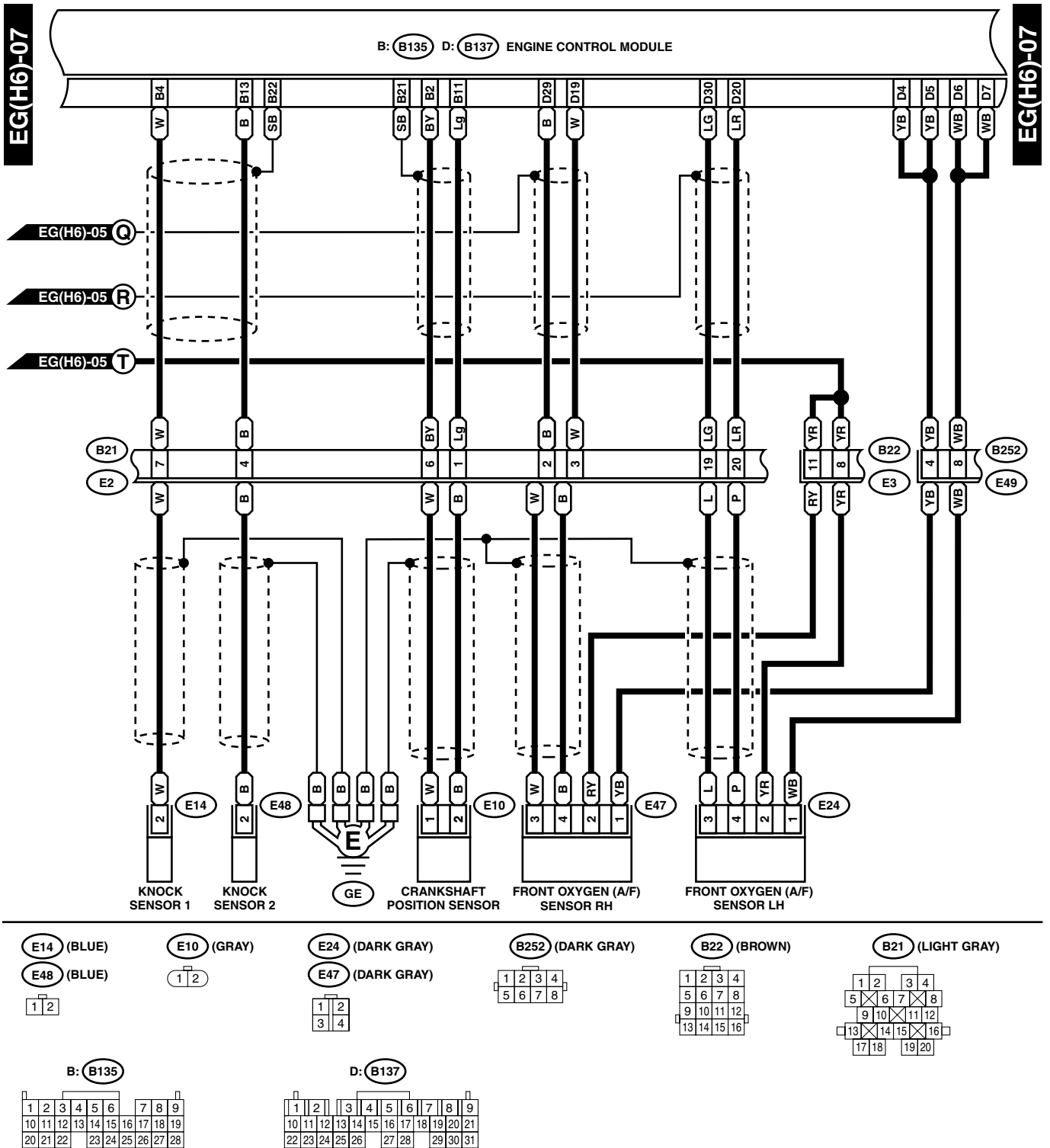


WI-03884



# ENGINE ELECTRICAL SYSTEM

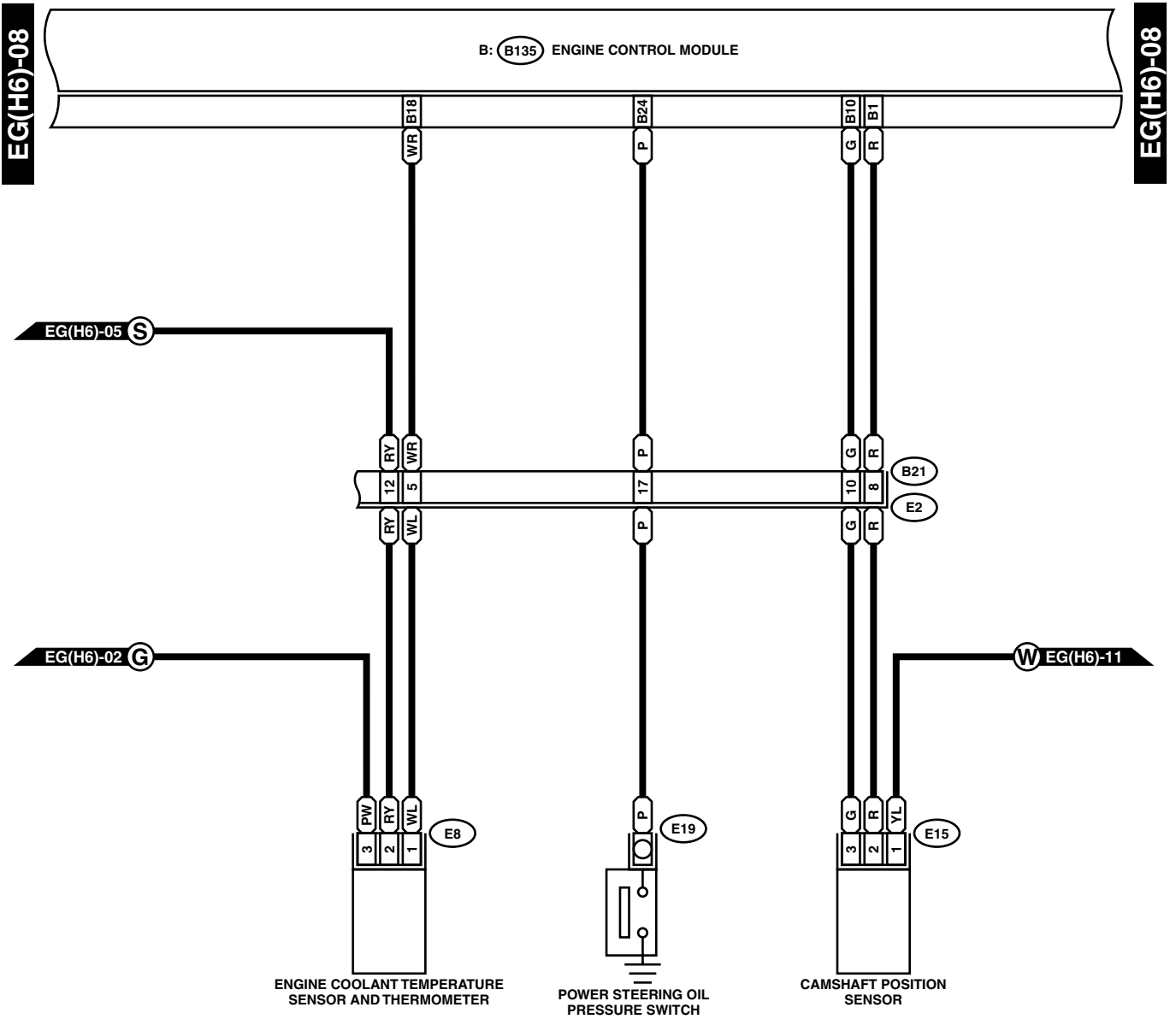
WIRING SYSTEM



WI-03562

# ENGINE ELECTRICAL SYSTEM

WIRING SYSTEM



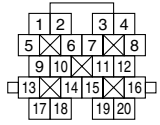
**E15 (GRAY)**



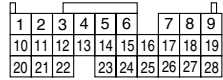
**E8 (LIGHT GRAY)**



**B21 (LIGHT GRAY)**



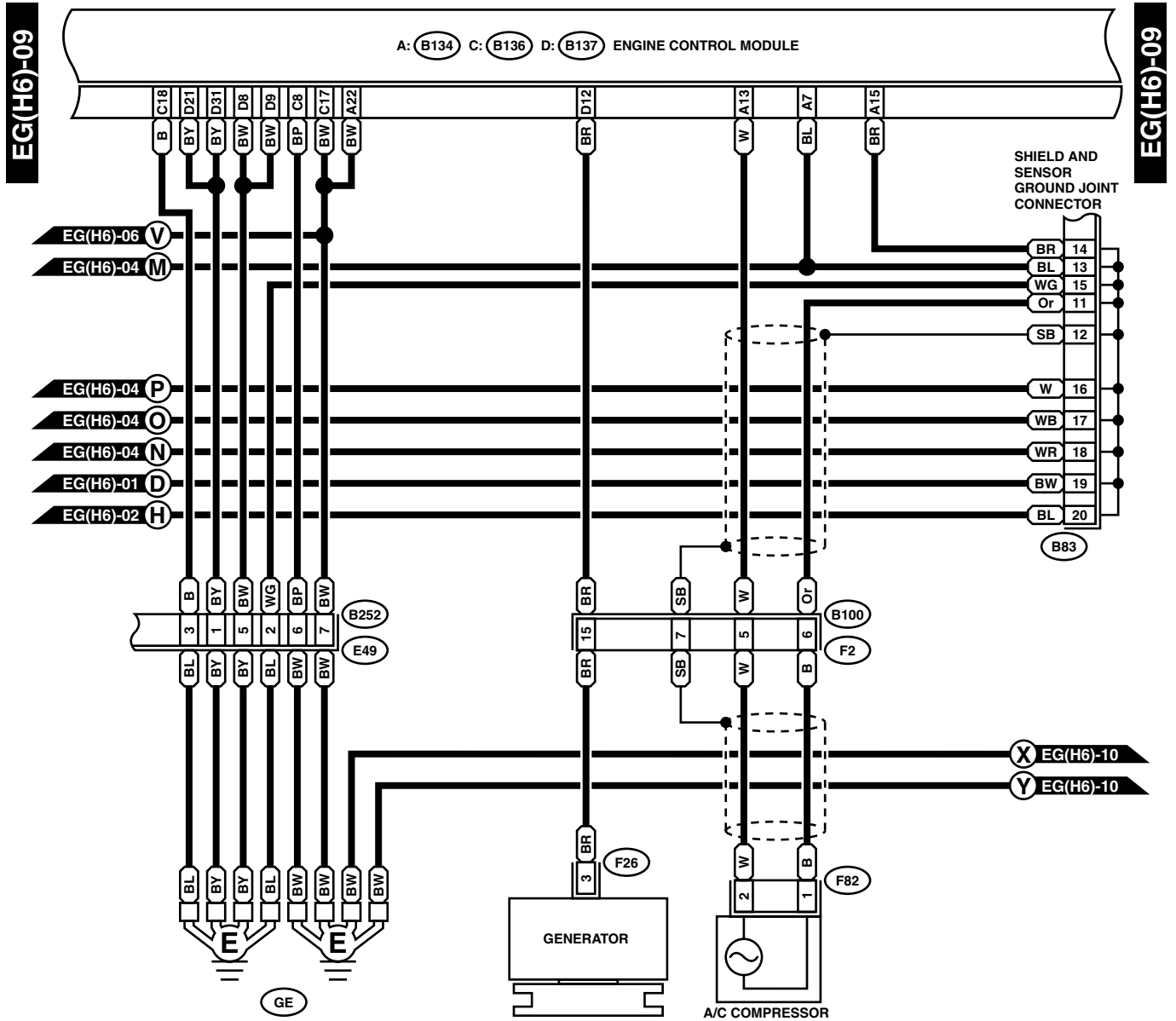
**B: (B135)**



WI-00626

# ENGINE ELECTRICAL SYSTEM

WIRING SYSTEM



F26 (GREEN)

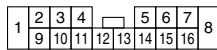
F82 (BLACK)



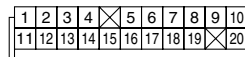
B252 (DARK GRAY)



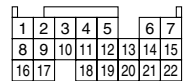
F2 (BLUE)



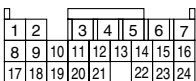
B83



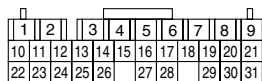
A: B134



C: B136



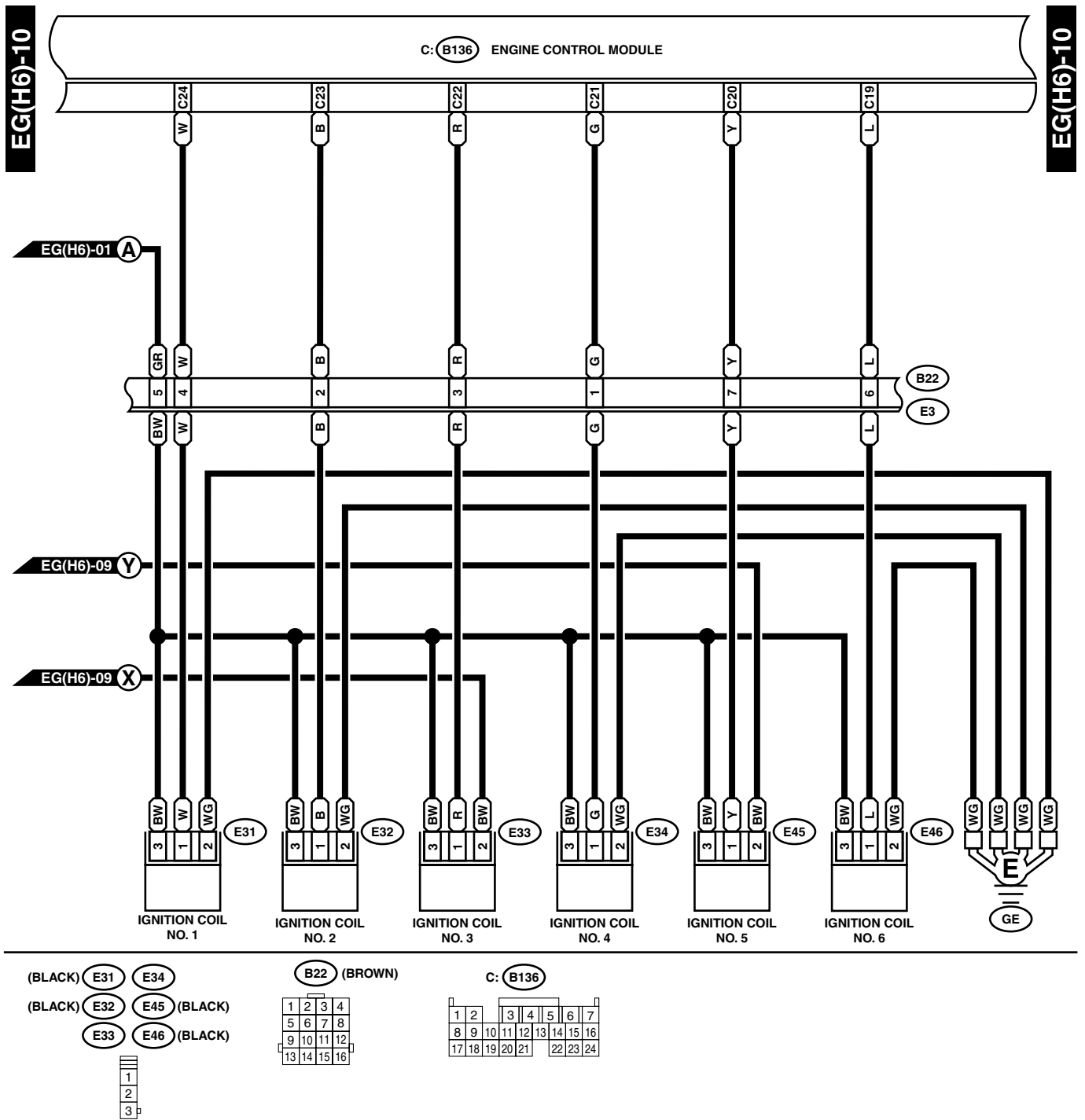
D: B137



WI-03886

# ENGINE ELECTRICAL SYSTEM

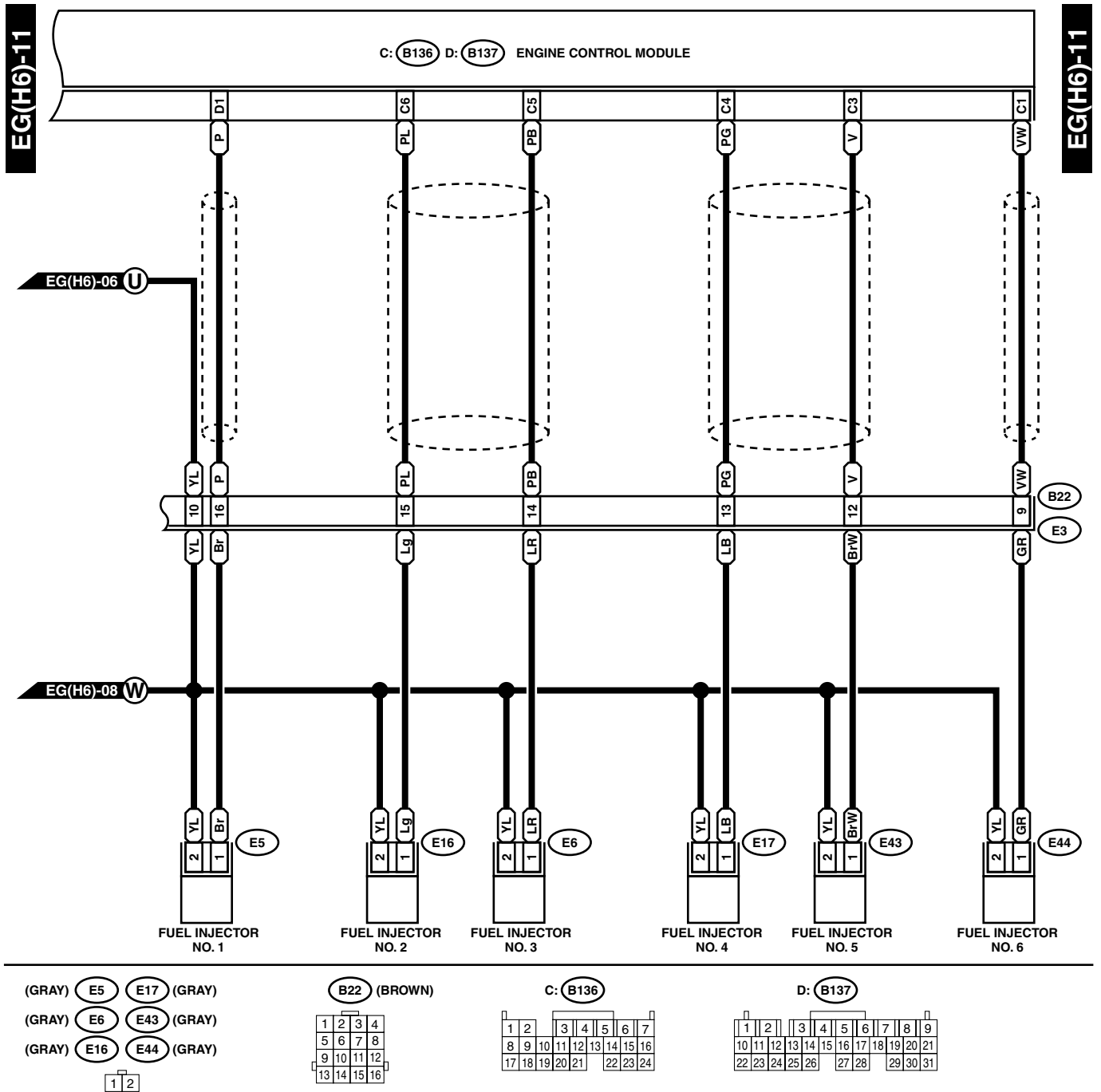
WIRING SYSTEM



WI-00628

# ENGINE ELECTRICAL SYSTEM

WIRING SYSTEM



WI-00629

# ENGINE ELECTRICAL SYSTEM

WIRING SYSTEM

---

MEMO: