

# HORN SYSTEM

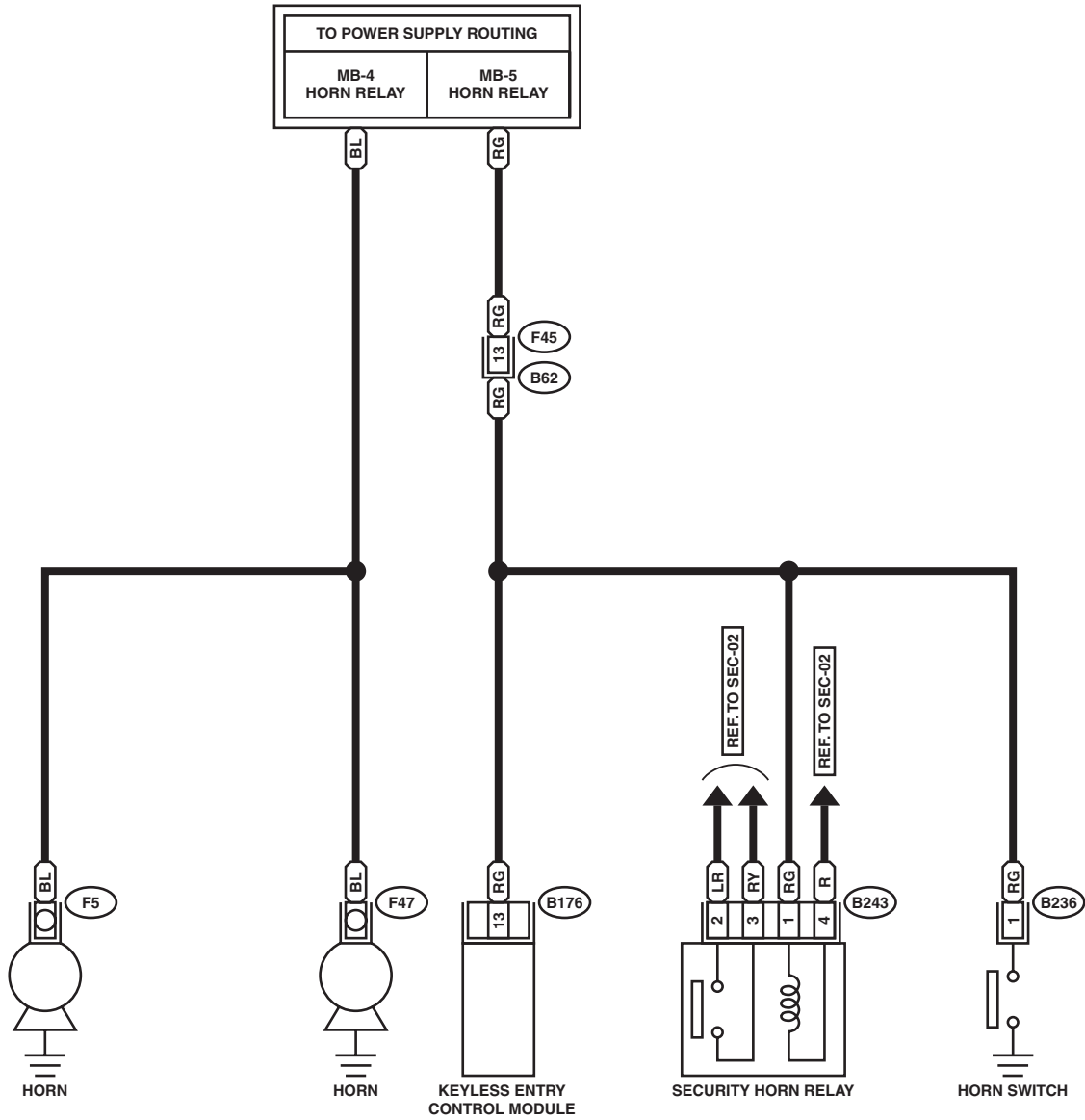
WIRING SYSTEM

## 21.Horn System

### A: WIRING DIAGRAM

HORN-01

HORN-01



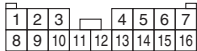
B236 (BLACK)



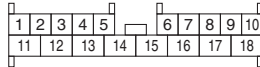
B243



F45



B176



WI-03061