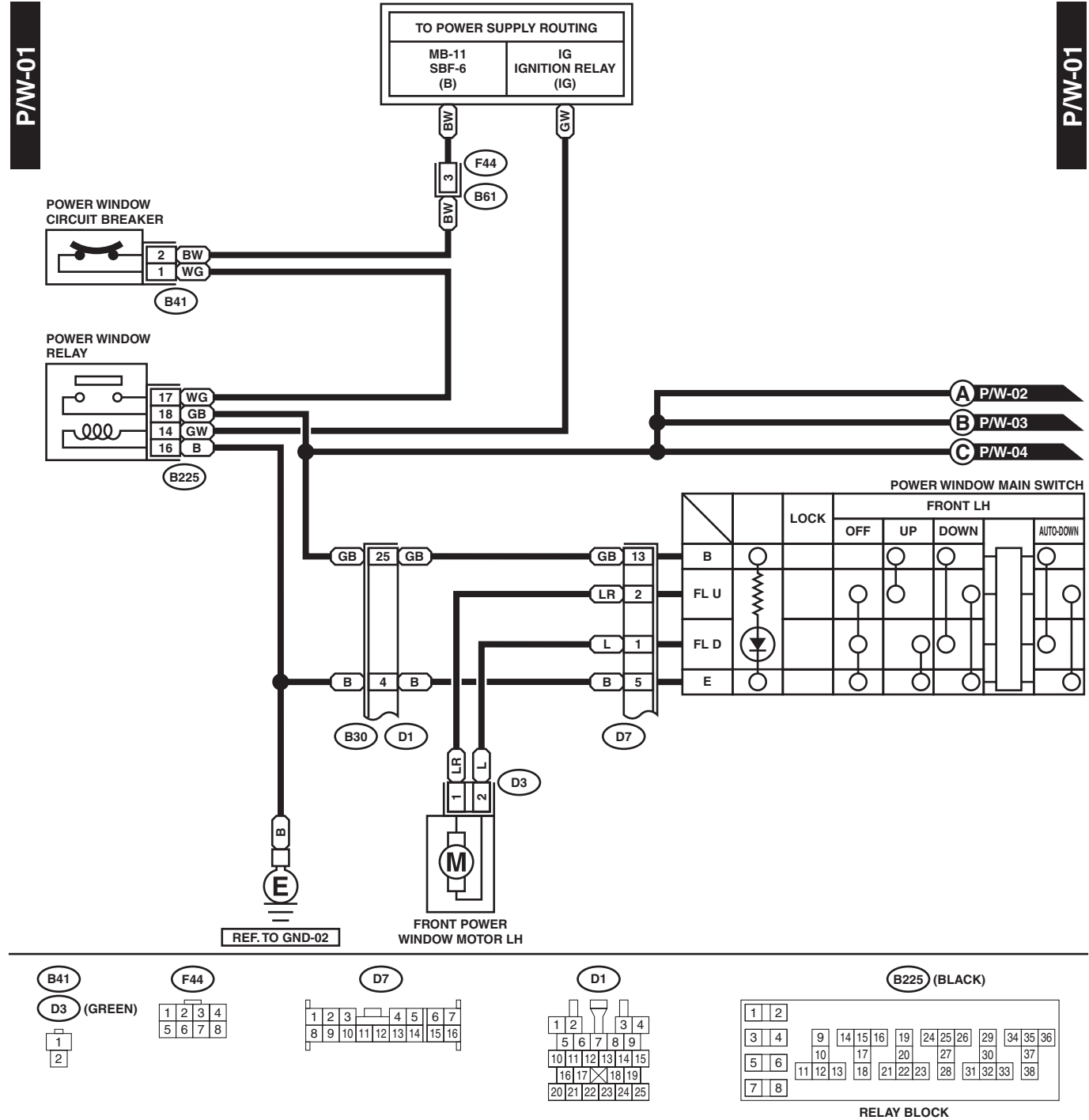


# POWER WINDOW SYSTEM

WIRING SYSTEM

## 33. Power Window System

### A: WIRING DIAGRAM



WI-03080

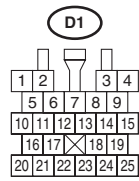
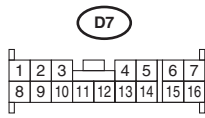
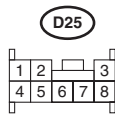
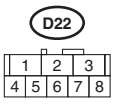
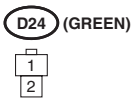
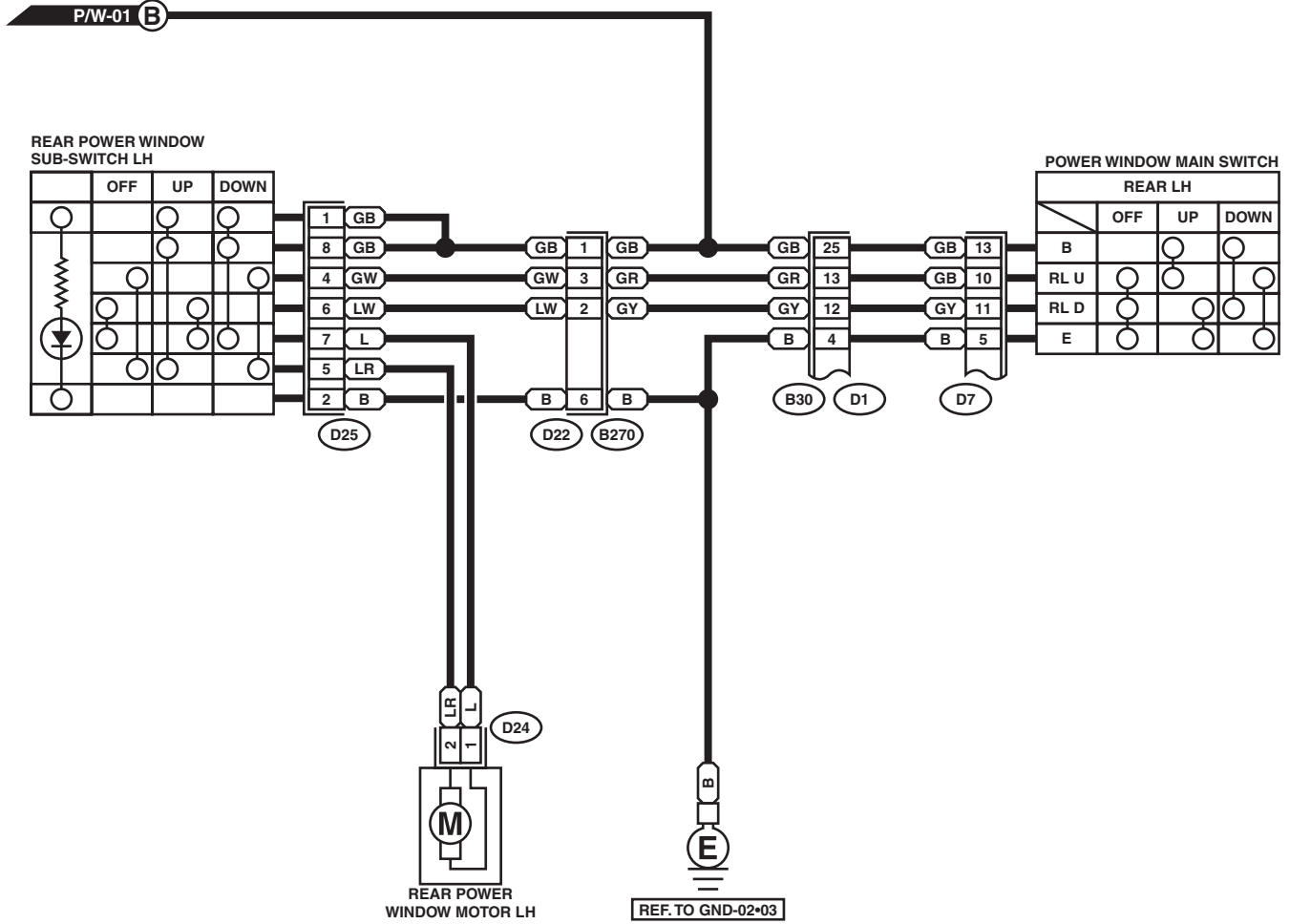


# POWER WINDOW SYSTEM

WIRING SYSTEM

P/W-03

P/W-03



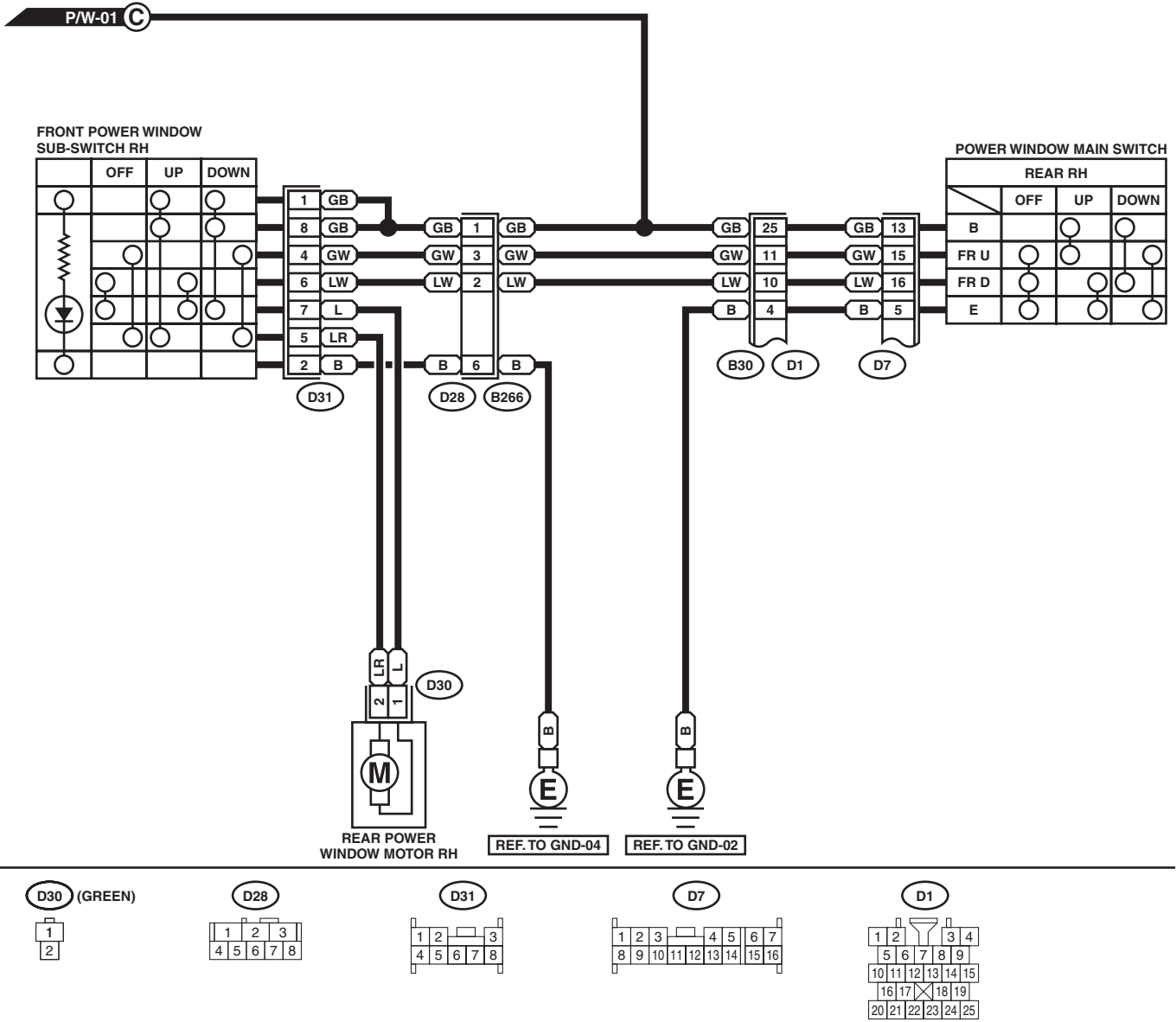
WI-03081

# POWER WINDOW SYSTEM

WIRING SYSTEM

P/W-04

P/W-04



WI-03123