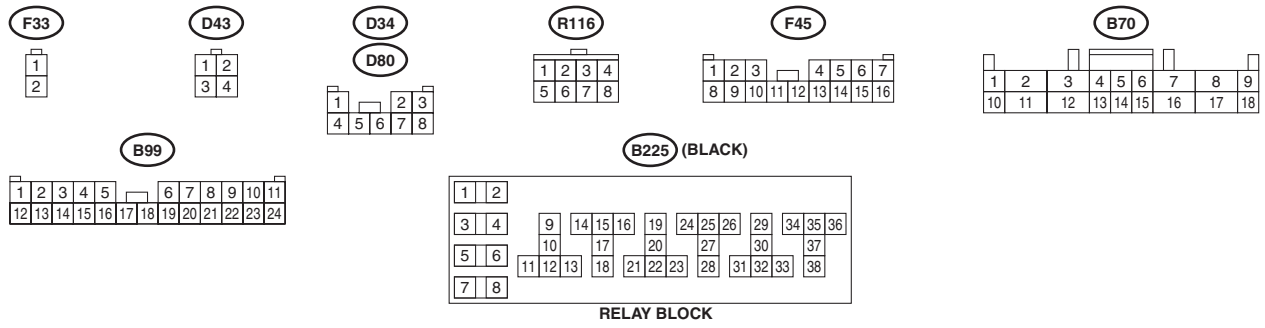
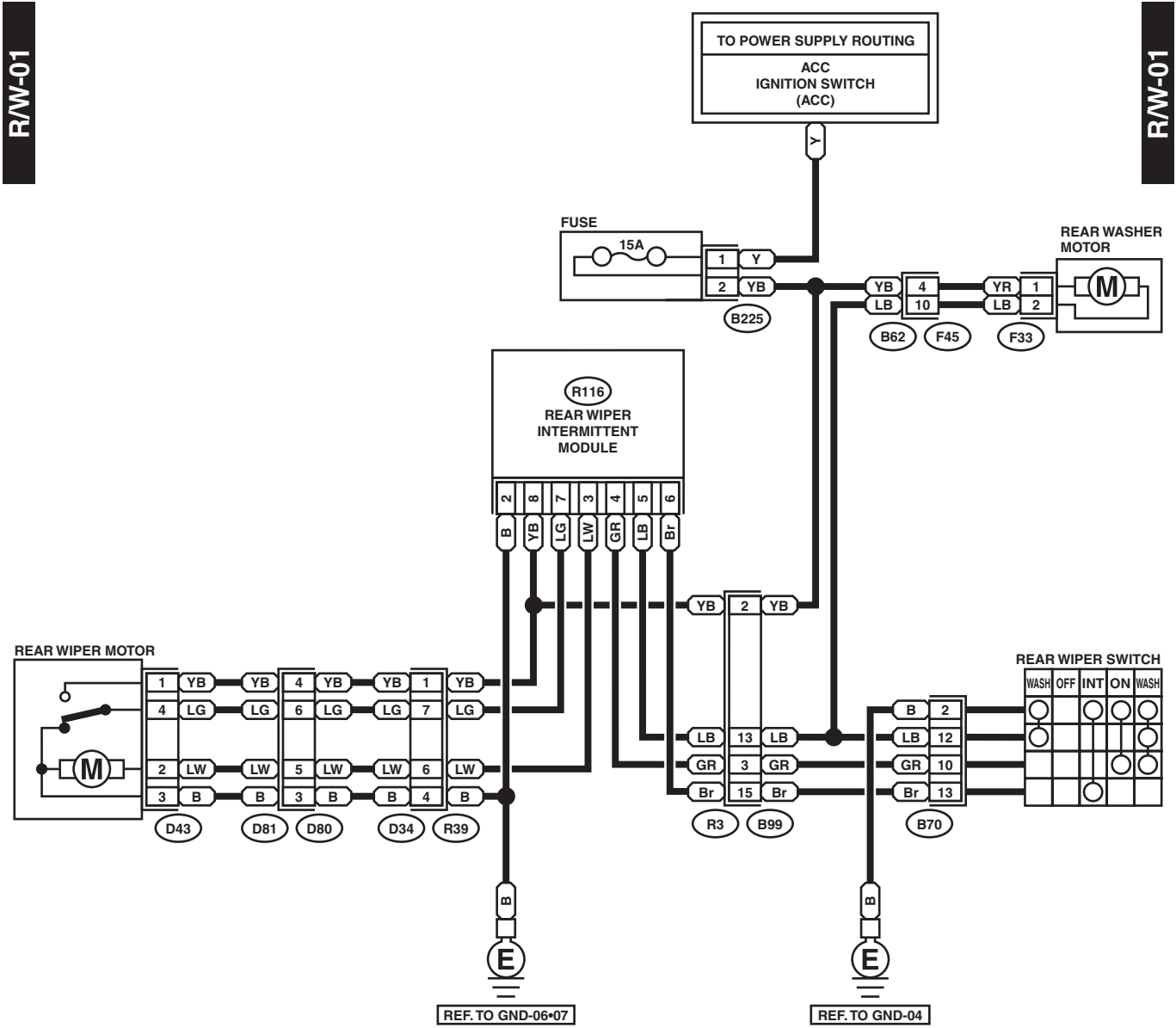


44. Wiper and Washer System (Rear)

A: WIRING DIAGRAM



WI-03095