

AIR CLEANER ELEMENT

PERIODIC MAINTENANCE SERVICES

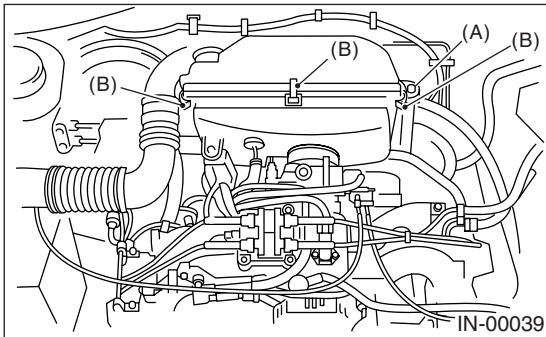
10. Air Cleaner Element

A: REPLACEMENT

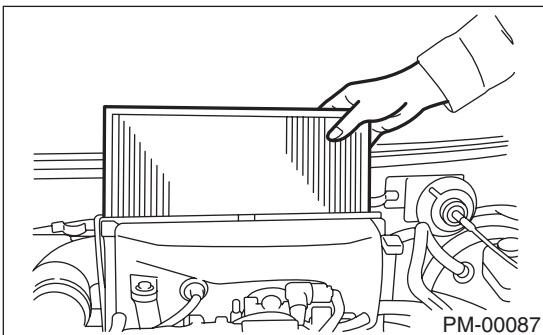
1. NON-TURBO MODEL

Do not attempt to clean the air cleaner element. The filter paper of the element is wetted with a special non-inflammable slow-evaporating viscous liquid. It is resistant to cold weather and has a long service life. Dirt adhering to this filter paper forms porous laminations with the viscous liquid, which function as a filtration layer to reduce dust penetration into the filter paper. If this filter paper is cleaned, the filtration layer thus formed will be lost along with the viscous liquid.

- 1) Remove the air intake duct from air cleaner case.
- 2) Remove the bolt (A) which installs air cleaner case to stays.
- 3) Remove the clip (B) above the air cleaner case.



- 4) Remove the air cleaner element.



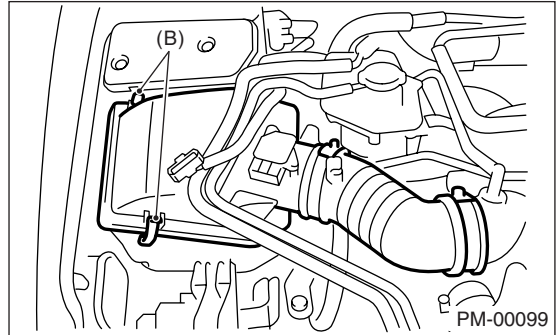
- 5) Install in the reverse order of removal.

CAUTION:

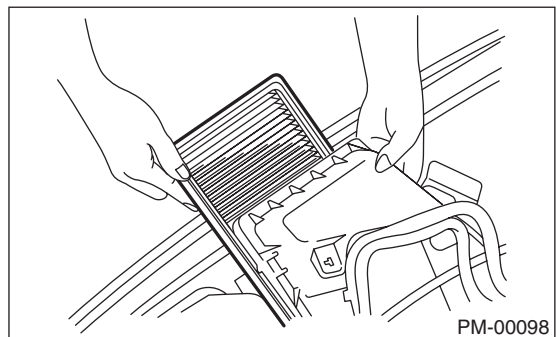
Fasten with a clip after inserting the lower tab of the case.

2. TURBO MODEL

- 1) Remove the clip (B) above the air cleaner upper cover.



- 2) Remove air cleaner.



- 3) Install in the reverse order of removal.

CAUTION:

Align protruding portions of air cleaner upper cover with holes of air cleaner lower case, then secure upper cover to lower case.

