

14. Transmission Oil

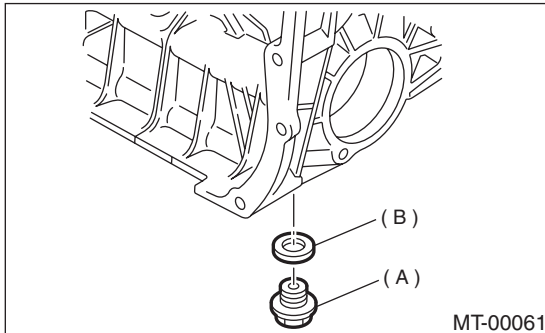
A: REPLACEMENT

1. MANUAL TRANSMISSION

1) Drain gear oil by removing drain plug after allowing the engine to cool for 3 to 4 hours.

NOTE:

- Before starting work, cool off the engine well.
- If transmission gear oil splashes on exhaust pipe, wipe it clean.



2) Reinstall drain plug after draining gear oil and tighten it to the specified torque.

Tightening torque:

70 N·m (7.1 kgf-m, 52 ft-lb)

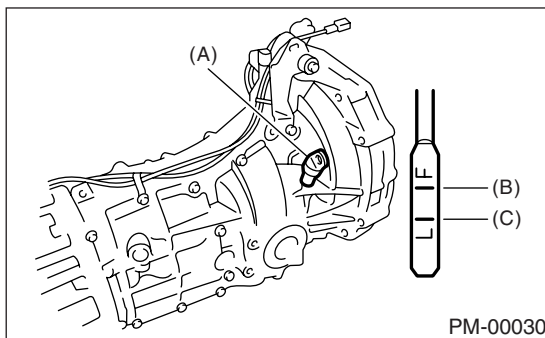
NOTE:

- Replace the gasket with a new one.
- Each oil manufacturer has its base oil and additives. Thus, do not mix two or more brands.

3) Fill transmission gear oil through the oil level gauge hole up to the upper point of level gauge.

Gear oil capacity:

3.5 ℓ (3.7 US qt, 3.1 Imp qt)



- (A) Oil level gauge
- (B) Upper level
- (C) Lower level