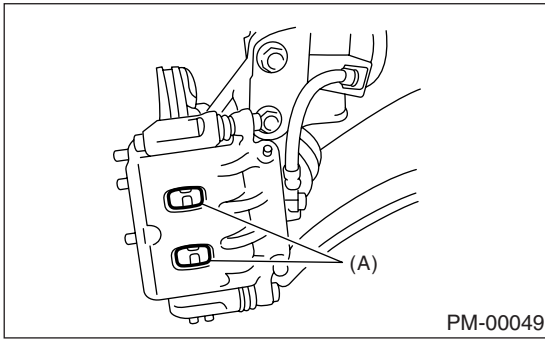


19. Disc Brake Pads and Discs

A: INSPECTION

1. DISC BRAKE PAD AND DISC

- 1) Jack up vehicle and support with rigid racks. Then remove wheels.
- 2) Visually check pad thickness through inspection hole of disc brake assembly. Replace pad if necessary.



(A) Inspection hole

- 4) Measure the disc rotor runout at a point less than 10 mm (0.39 in) from the outer periphery of the rotor.

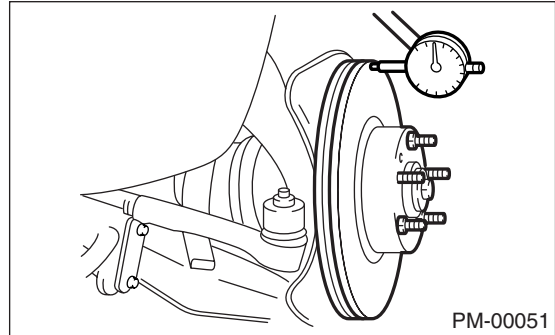
Disc rotor runout limit:

Front: 0.075 mm (0.0030 in)

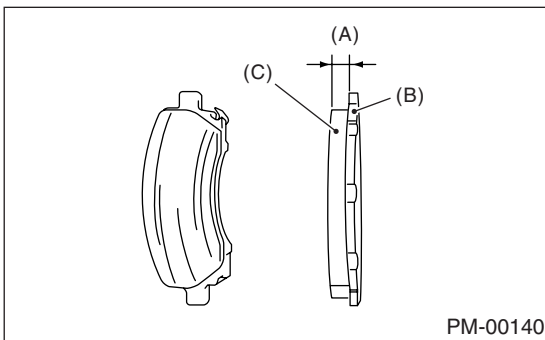
Rear: 0.070 mm (0.0028 in)

NOTE:

When replacing a pad, always replace the pads for both the left and right wheels at the same time. Also replace pad clips if they are twisted or worn.



Pad thickness mm (in)		
	Front	Rear
Standard	11 (0.43)	9 (0.35)
Service limit	1.5 (0.059)	1.5 (0.059)



- (A) Thickness of pad
- (B) Back metal
- (C) Lining

- 3) Check the disc rotor, and correct or replace if it is damaged or worn.

Brake disc thickness mm (in)		
	Front	Rear
Standard	24 (0.94)	10 (0.39)
Wear limit	22 (0.87)	8.5 (0.335)