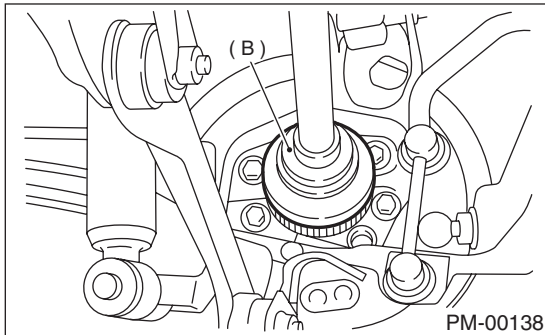
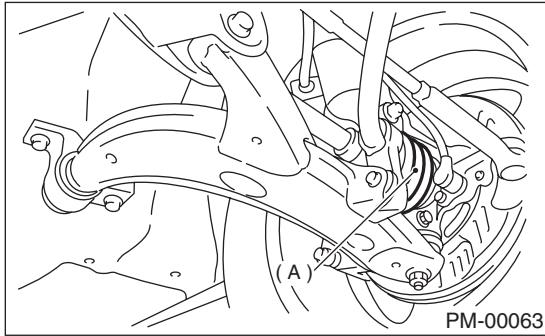


## 23. Axle Boots & Joints

### A: INSPECTION

#### 1. FRONT AND REAR AXLE BOOTS

Inspect front axle boots (A) and rear axle boots (B) for deformation, damage or failure. If faulty, replace them with new ones. <Ref. to DS-29, Front Drive Shaft.> <Ref. to DS-37, Rear Drive Shaft.>



#### 2. PROPELLER SHAFT

Inspect propeller shaft for damage or failure. If faulty, replace with a new one. <Ref. to DS-15, Propeller Shaft.>