

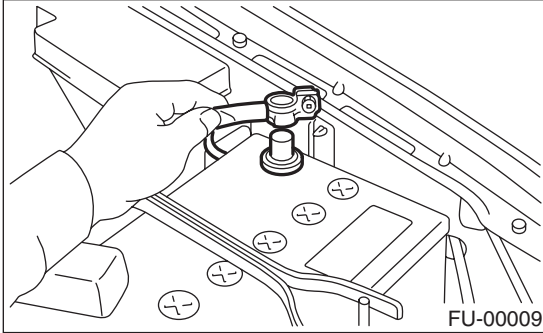
WATER PUMP

COOLING

5. Water Pump

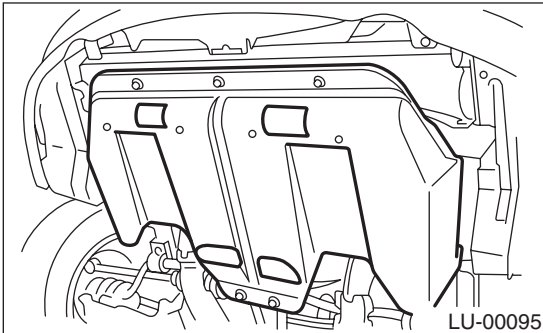
A: REMOVAL

1) Disconnect ground cable from battery.



2) Lift-up the vehicle.

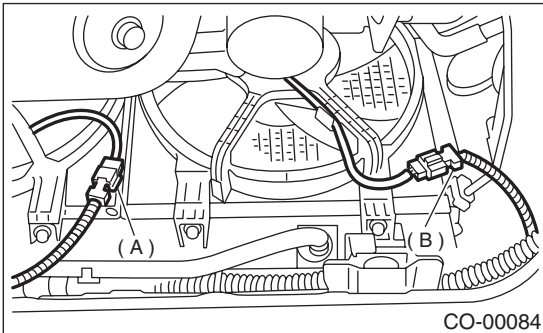
3) Remove under cover.



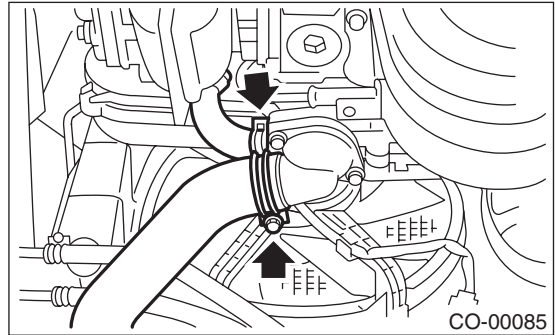
4) Drain engine coolant completely.

<Ref. to CO(H4SO)-12, DRAINING OF ENGINE COOLANT, REPLACEMENT, Engine Coolant.>

5) Disconnect connectors from radiator main fan (A) and sub fan (B) motors.

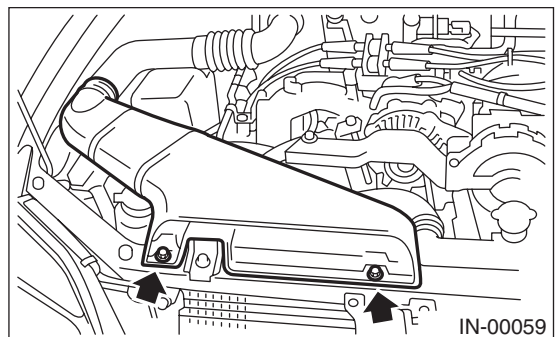


6) Disconnect radiator outlet hose and heater by-pass hose from water pump.

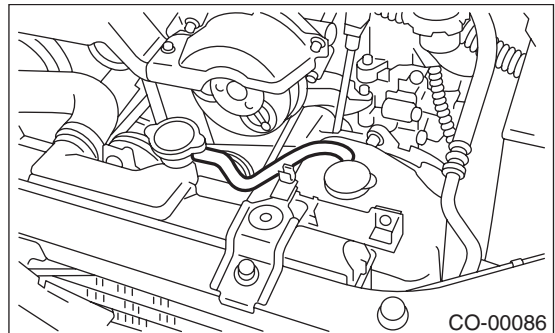


7) Lower the vehicle.

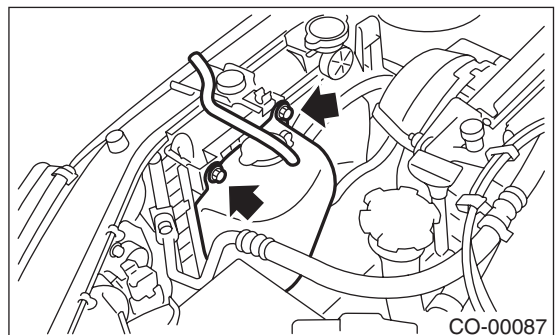
8) Remove air intake duct.



9) Disconnect overflow hose.



10) Remove reservoir tank.



11) Remove radiator main fan and sub fan assemblies. <Ref. to CO(H4SO)-25, REMOVAL, Radiator Main Fan and Fan Motor.> and <Ref. to CO(H4SO)-27, REMOVAL, Radiator Sub Fan and Fan Motor.>

WATER PUMP

COOLING

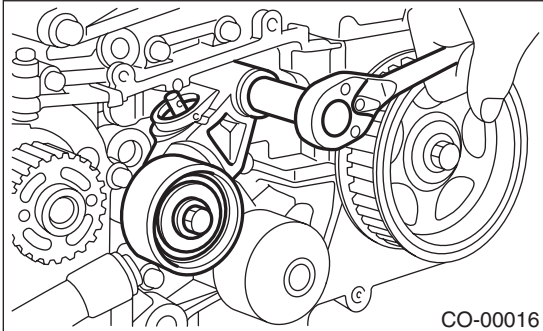
12) Remove V-belts.

<Ref. to ME(H4SO)-40, REMOVAL, V-belt.>

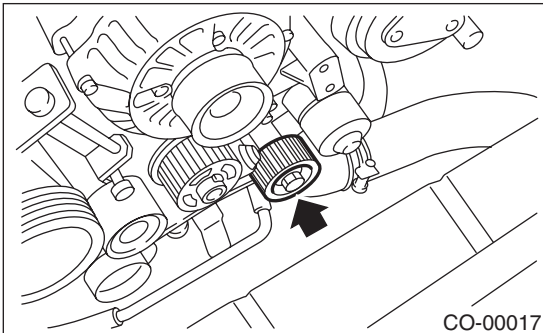
13) Remove timing belt.

<Ref. to ME(H4SO)-44, TIMING BELT, REMOVAL, Timing Belt.>

14) Remove automatic belt tension adjuster.



15) Remove belt idler No. 2.

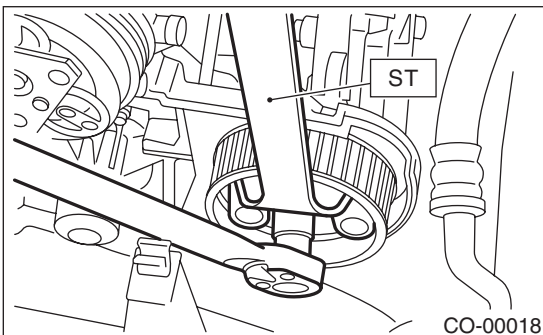


16) Remove left-hand camshaft sprocket by using ST.

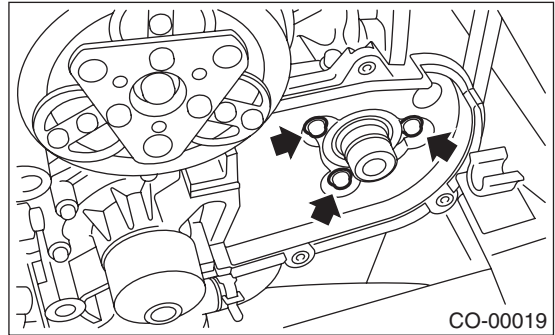
ST 18231AA010 CAMSHAFT SPROCKET WRENCH

NOTE:

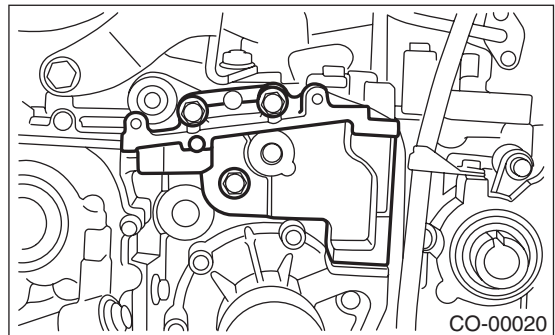
Camshaft sprocket wrench (499207100) is also available.



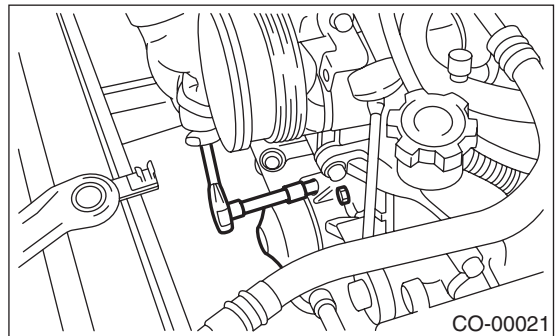
17) Remove left-hand belt cover No. 2.



18) Remove tensioner bracket.



19) Remove water pump.



WATER PUMP

COOLING

B: INSTALLATION

1) Install water pump onto left-hand cylinder block.

NOTE:

- Replace gasket with a new one.
- When installing water pump, tighten bolts in two stages in alphabetical sequence as shown in figure.

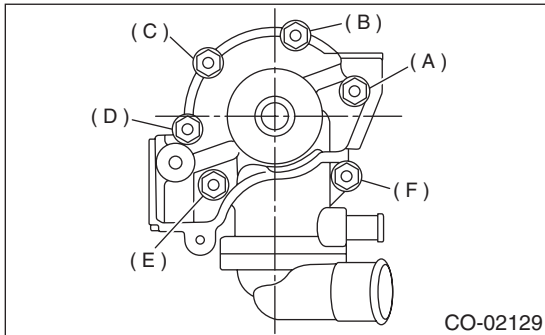
Tightening torque:

First:

12 N·m (1.2 kgf-m, 8.7 ft-lb)

Second:

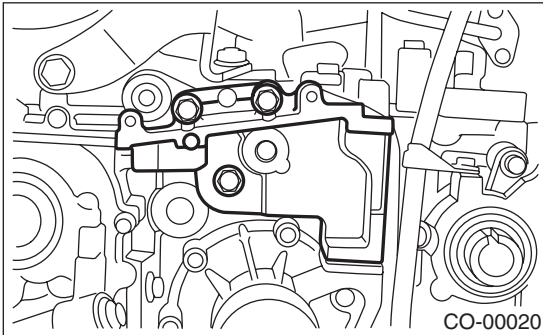
12 N·m (1.2 kgf-m, 8.7 ft-lb)



2) Install tensioner bracket.

Tightening torque:

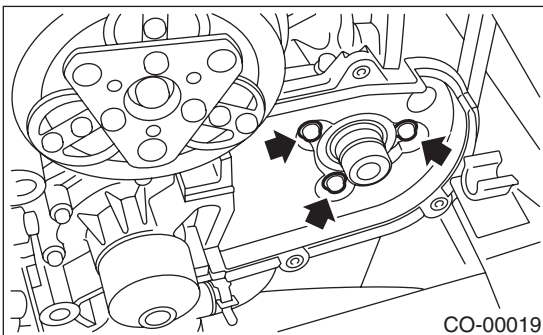
24.5 N·m (2.5 kgf-m, 18.1 ft-lb)



3) Install left-hand belt cover No. 2.

Tightening torque:

5 N·m (0.5 kgf-m, 3.6 ft-lb)



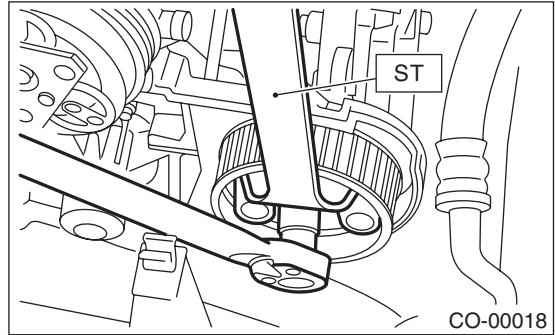
4) Install left-hand camshaft sprockets by using ST. ST 18231AA010 CAMSHAFT SPROCKET WRENCH

NOTE:

Camshaft sprocket wrench (499207100) is also available.

Tightening torque:

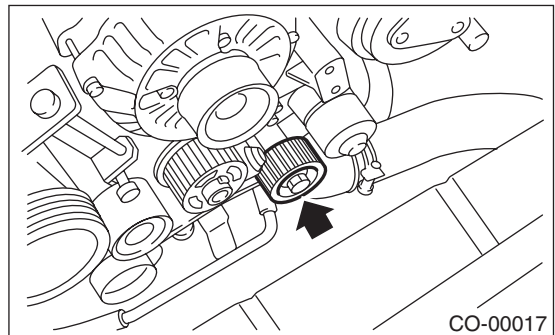
78 N·m (8.0 kgf-m, 57.9 ft-lb)



5) Install belt idler No. 2.

Tightening torque:

39 N·m (4.0 kgf-m, 28.9 ft-lb)



6) Install automatic belt tension adjuster which tension rod is held with pin. <Ref. to ME(H4SO)-45, INSTALLATION, Timing Belt.>

7) Install timing belt. <Ref. to ME(H4SO)-46, TIMING BELT, INSTALLATION, Timing Belt.>

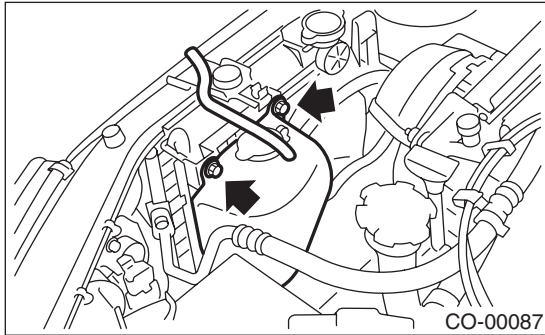
8) Install V-belts. <Ref. to ME(H4SO)-40, INSTALLATION, V-belt.>

9) Install radiator main fan and sub fan motor assemblies. <Ref. to CO(H4SO)-25, INSTALLATION, Radiator Main Fan and Fan Motor.> and <Ref. to CO(H4SO)-27, INSTALLATION, Radiator Sub Fan and Fan Motor.>

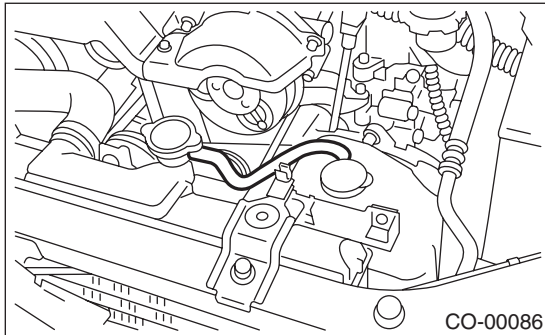
WATER PUMP

COOLING

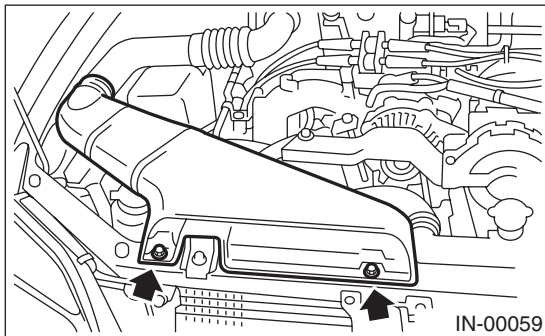
10) Install reservoir tank.



11) Connect overflow hose.

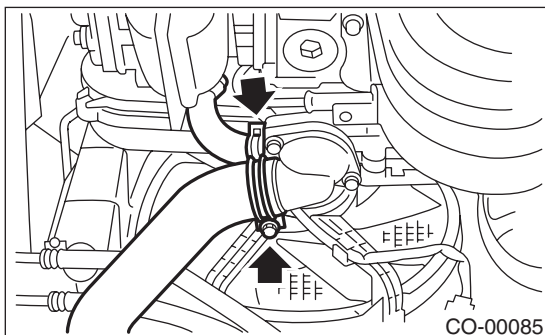


12) Install air intake duct.

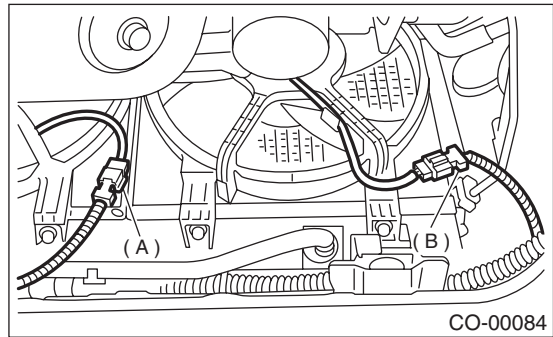


13) Lift-up the vehicle.

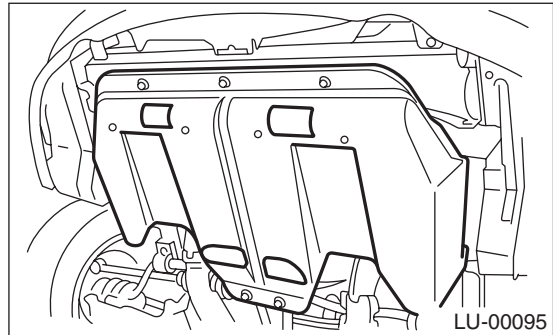
14) Connect radiator outlet hose and heater by-pass hose to water pump.



15) Connect connectors to radiator main fan (A) and sub fan (B) motors.

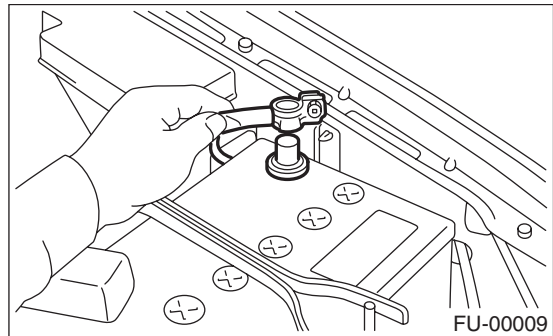


16) Install under cover.



17) Lower the vehicle.

18) Connect battery ground cable.



19) Fill coolant. <Ref. to CO(H4SO)-12, FILLING OF ENGINE COOLANT, REPLACEMENT, Engine Coolant.>

WATER PUMP

COOLING

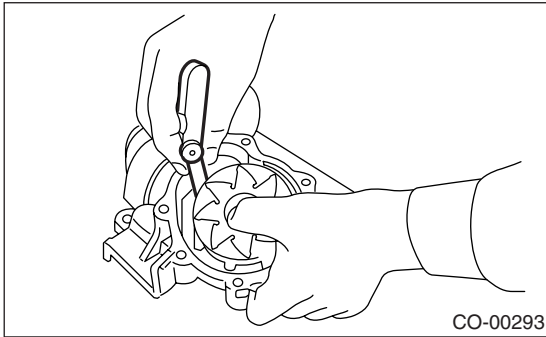
C: INSPECTION

- 1) Check water pump bearing for smooth rotation.
- 2) Check water pump pulley for abnormalities.
- 3) Inspect the impeller for crack or deformation.
- 4) Check clearance between impeller and pump case.

Clearance between impeller and pump case:

Standard

0.4 — 1.6 mm (0.016 — 0.063 in)



- 5) After water pump installation, check pulley shaft for engine coolant leaks. If leaks are noted, replace water pump assembly.