

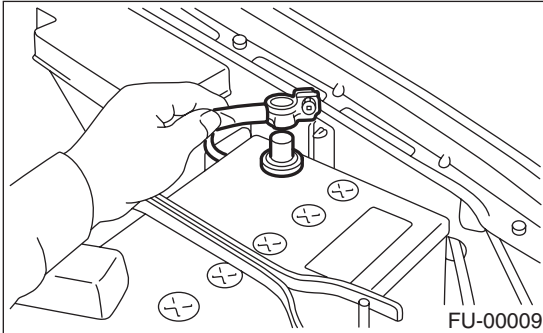
FUEL TANK PRESSURE SENSOR

EMISSION CONTROL (AUX. EMISSION CONTROL DEVICES)

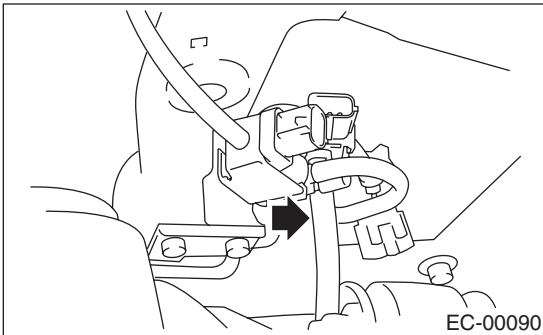
10. Fuel Tank Pressure Sensor

A: REMOVAL

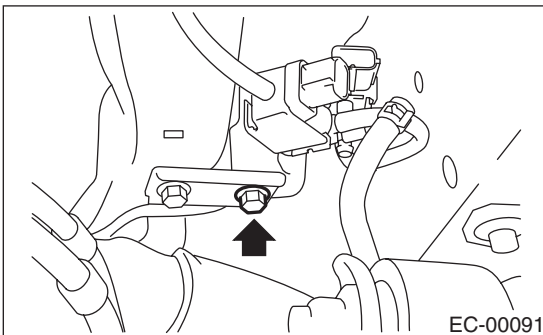
- 1) Set the vehicle on the lift.
- 2) Open fuel flap lid, and remove fuel filler cap.
- 3) Disconnect battery ground cable.



- 4) Lift-up the vehicle.
- 5) Disconnect connector from fuel tank pressure sensor and fuel tank sensor control valve.
- 6) Disconnect pressure hose from fuel tank pressure sensor.



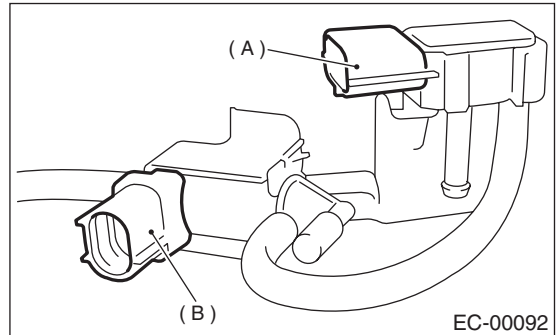
- 7) Remove fuel tank pressure sensor and fuel tank sensor control valve with bracket.



- 8) Remove fuel tank sensor control valve from bracket.

NOTE:

Fuel tank pressure sensor cannot be removed because it is integral with bracket.



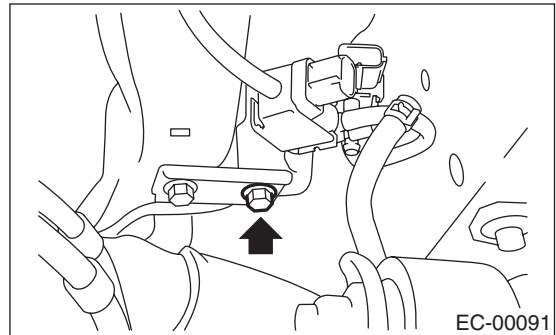
- (A) Fuel tank pressure sensor
- (B) Fuel tank sensor control valve

B: INSTALLATION

Install in the reverse order of removal.

Tightening torque:

7.4 N·m (0.75 kgf-m, 5.4 ft-lb)



C: INSPECTION

Make sure that hoses are not cracked or loose.