

# SHUT VALVE

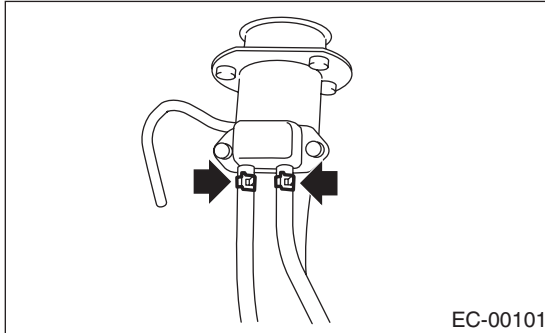
EMISSION CONTROL (AUX. EMISSION CONTROL DEVICES)

---

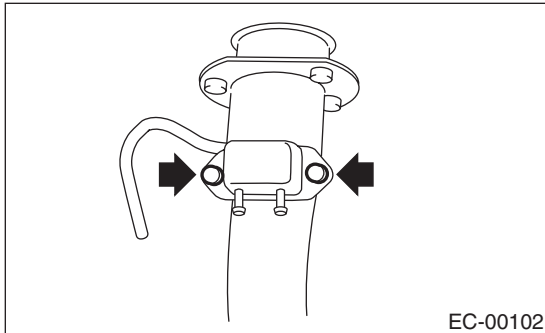
## 15. Shut Valve

### A: REMOVAL

- 1) Drain fuel from fuel tank. <Ref. to FU(H4SO)-51, REMOVAL, Fuel Tank.>
- 2) Remove fuel filler pipe. <Ref. to FU(H4SO)-59, REMOVAL, Fuel Filler Pipe.>
- 3) Disconnect evaporation hoses from shut valve.



- 4) Remove shut valve from fuel filler pipe.

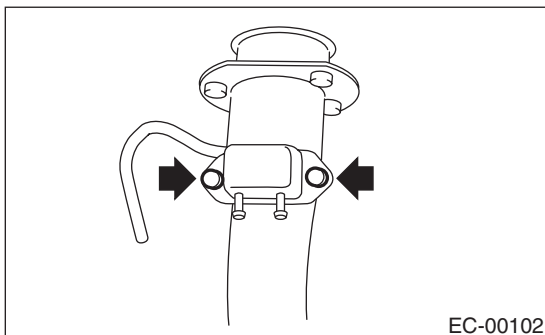


### B: INSTALLATION

Install in the reverse order of removal.

#### *Tightening torque:*

**4.4 N·m (0.45 kgf·m, 3.3 ft·lb)**



### C: INSPECTION

Make sure that hoses are not cracked or loose.