

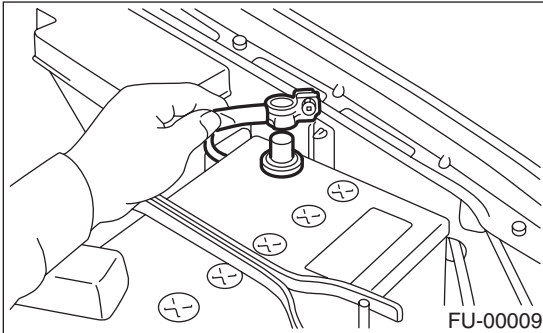
DRAIN VALVE

EMISSION CONTROL (AUX. EMISSION CONTROL DEVICES)

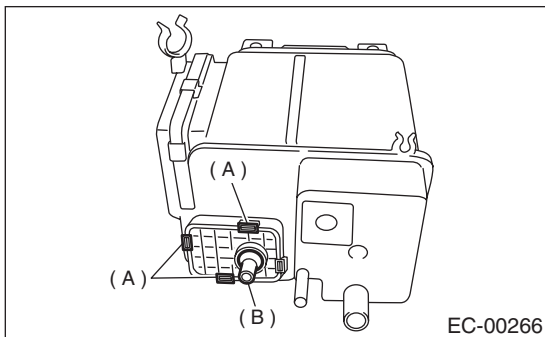
16.Drain Valve

A: REMOVAL

- 1) Set the vehicle on the lift.
- 2) Disconnect battery ground cable.



- 3) Lift-up the vehicle.
- 4) Remove canister. <Ref. to EC(H4SO)-5, REMOVAL, Canister.>
- 5) Remove clip (A), and then remove drain valve (B) from canister.



B: INSTALLATION

Install in the reverse order of removal.

C: INSPECTION

- 1) Make sure that all hoses are installed correctly.
- 2) Make sure that hoses are not cracked or loose.

DRAIN VALVE

EMISSION CONTROL (AUX. EMISSION CONTROL DEVICES)

MEMO: