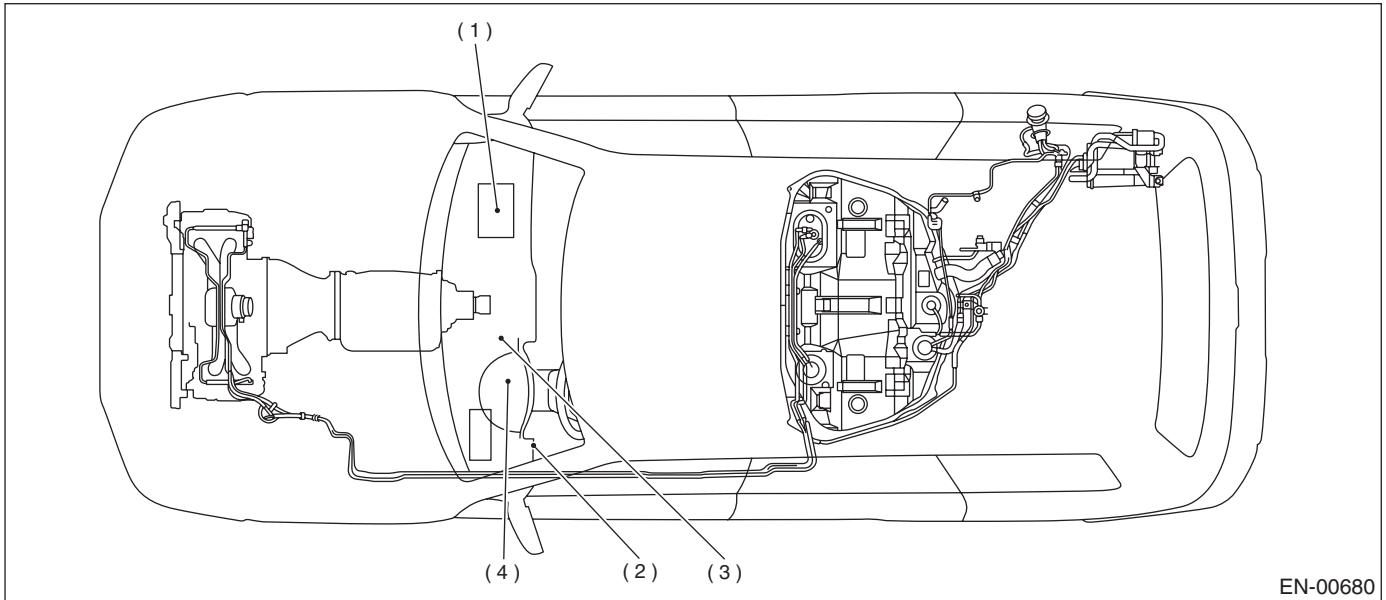


## 4. Electrical Components Location

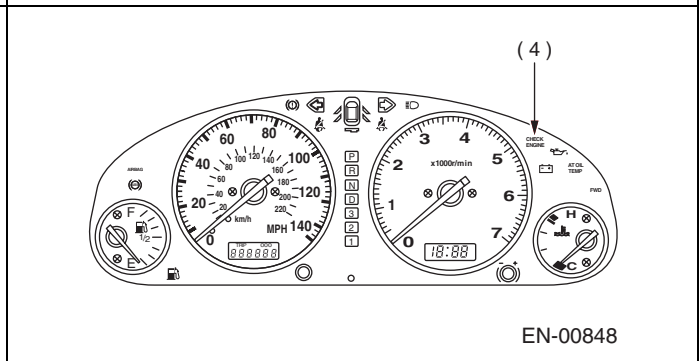
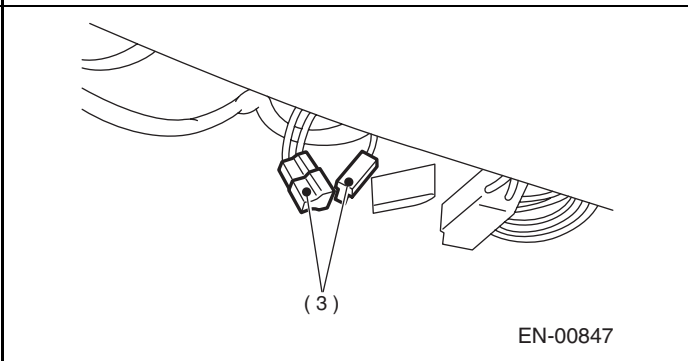
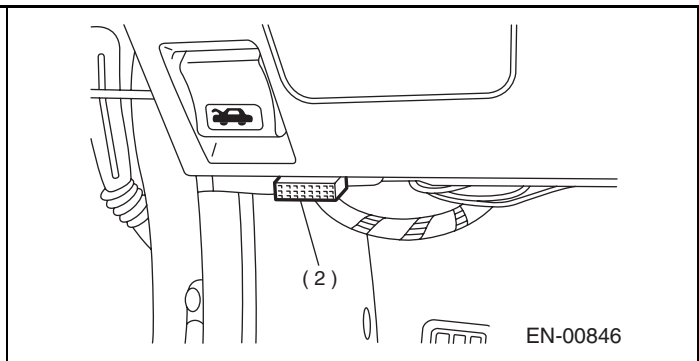
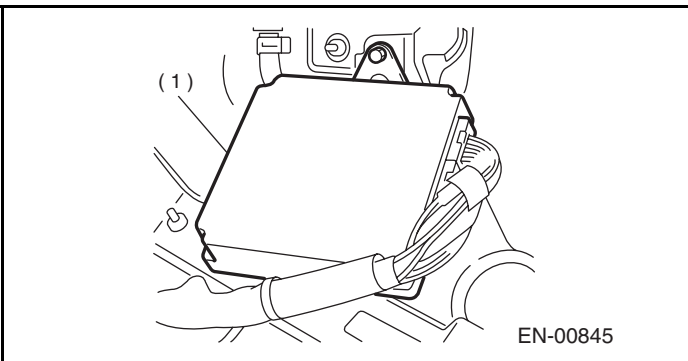
### A: LOCATION

#### 1. ENGINE

##### • MODULE



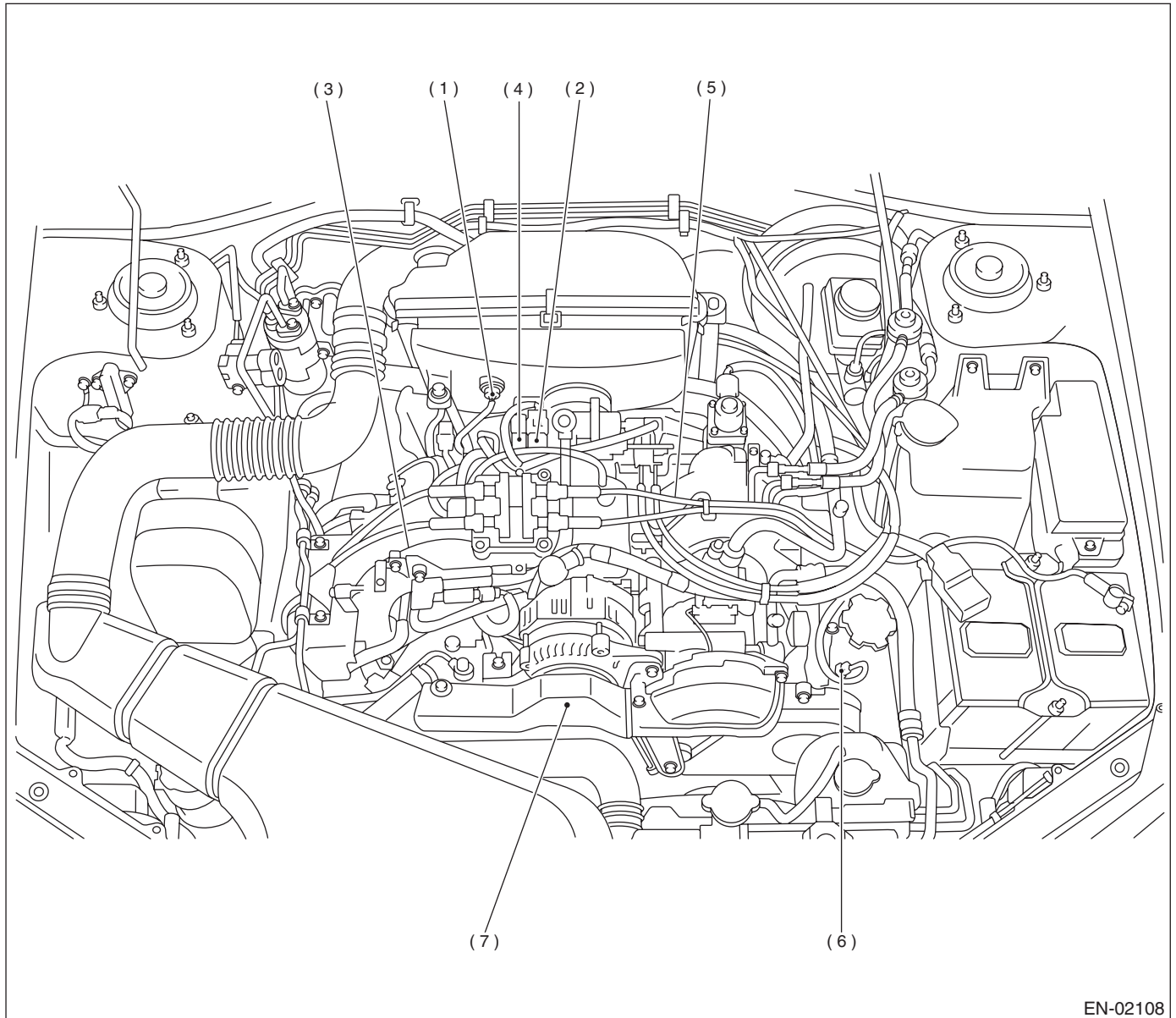
- |   |   |
|---|---|
| (1) Engine control module (ECM)   | (3) Test mode connector                           |
| (2) Data link connector (for Subaru Select Monitor and general scan tool) | (4) CHECK ENGINE malfunction indicator lamp (MIL) |



# ELECTRICAL COMPONENTS LOCATION

## ENGINE (DIAGNOSTICS)

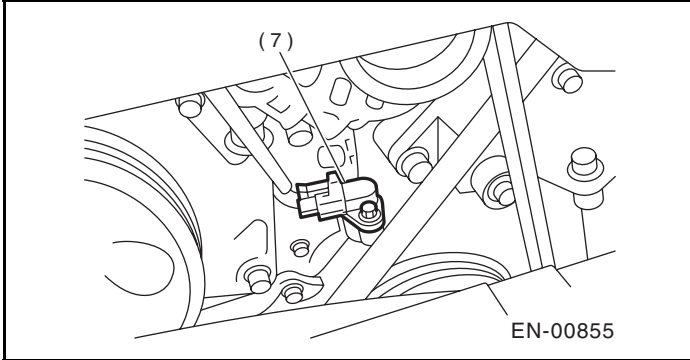
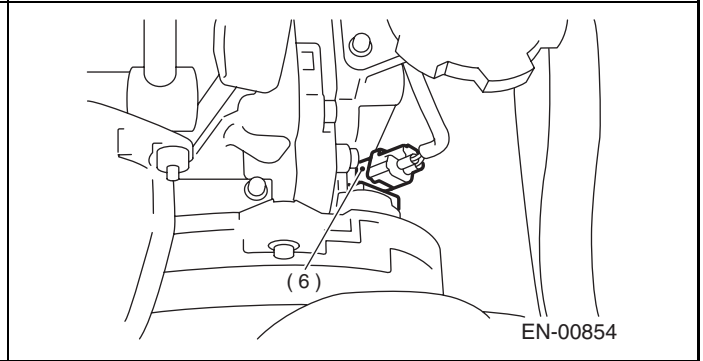
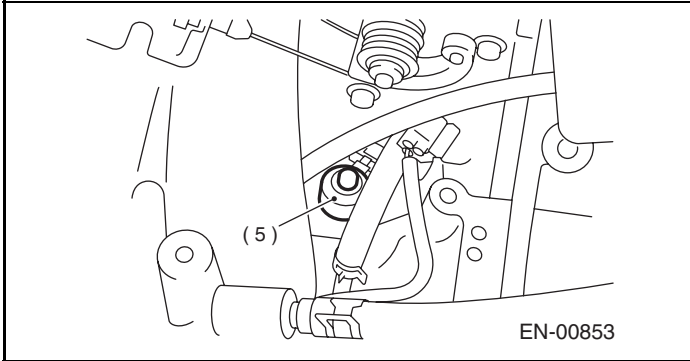
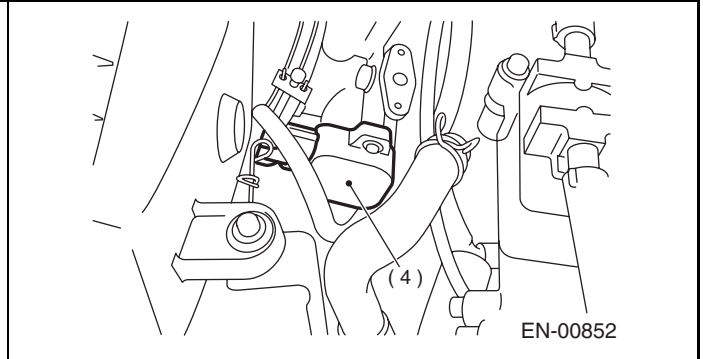
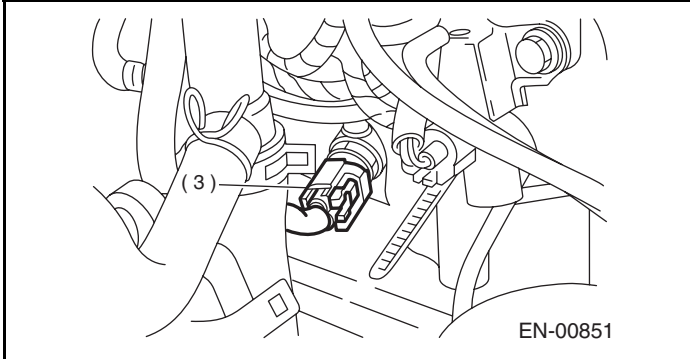
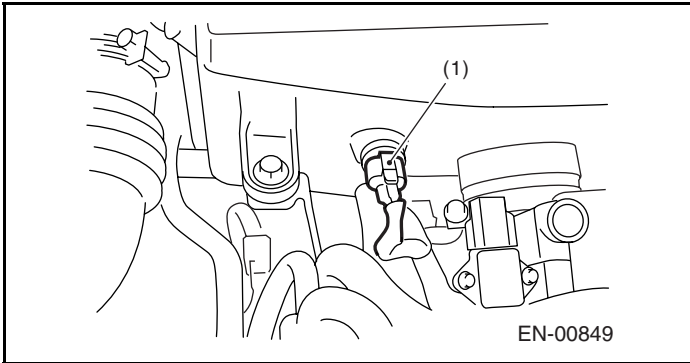
### • SENSOR



- |                                       |                                |
|---------------------------------------|--------------------------------|
| (1) Intake air temperature sensor     | (5) Knock sensor               |
| (2) Pressure sensor                   | (6) Camshaft position sensor   |
| (3) Engine coolant temperature sensor | (7) Crankshaft position sensor |
| (4) Throttle position sensor          |                                |

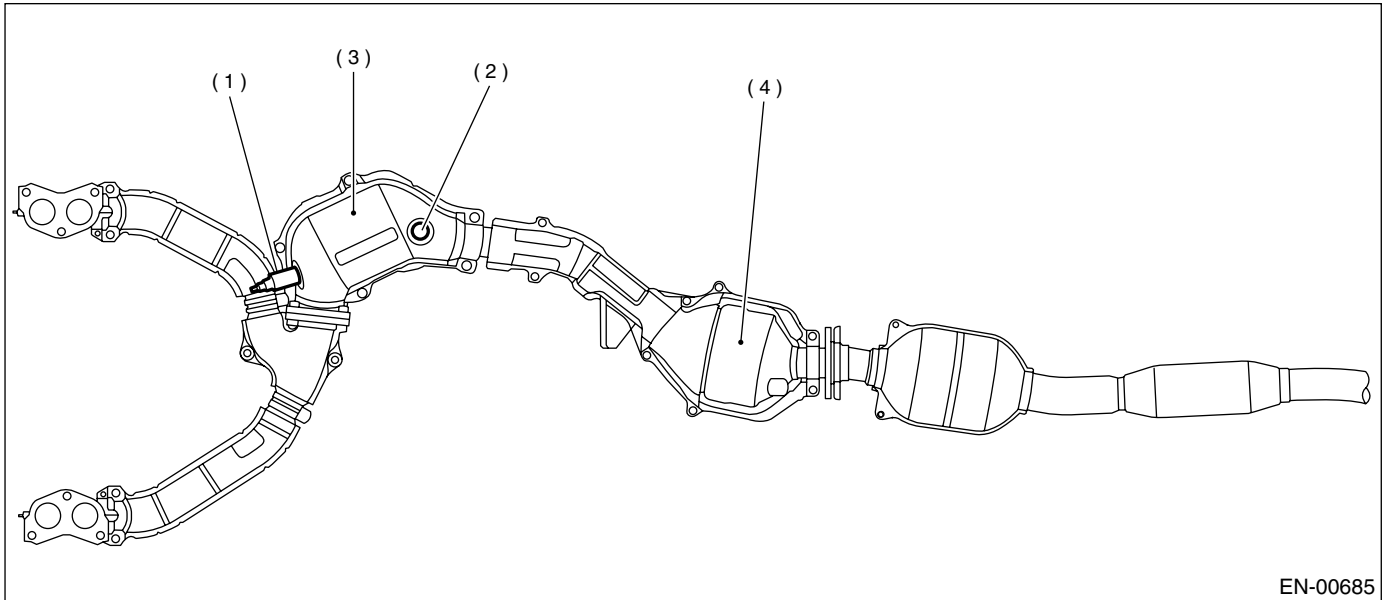
# ELECTRICAL COMPONENTS LOCATION

ENGINE (DIAGNOSTICS)

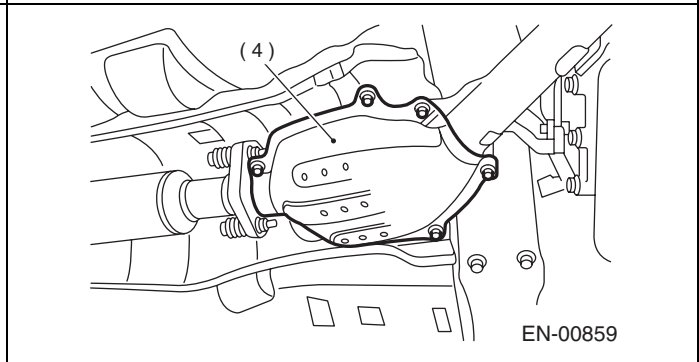
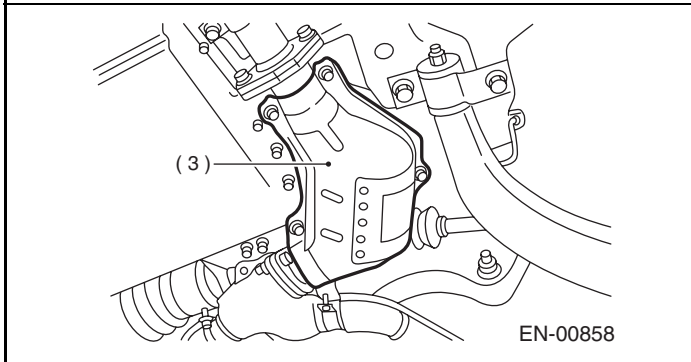
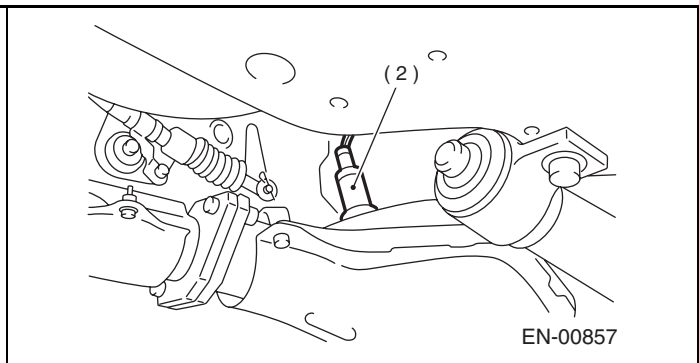
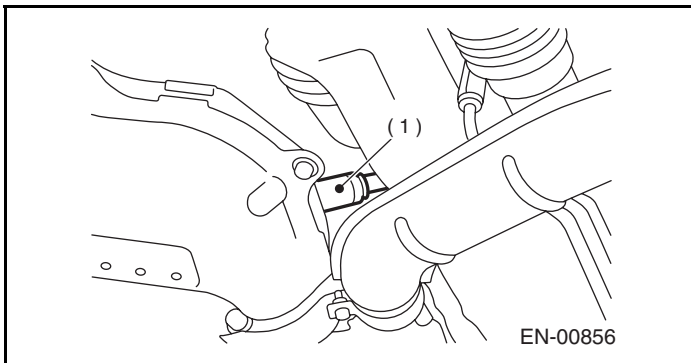


# ELECTRICAL COMPONENTS LOCATION

ENGINE (DIAGNOSTICS)

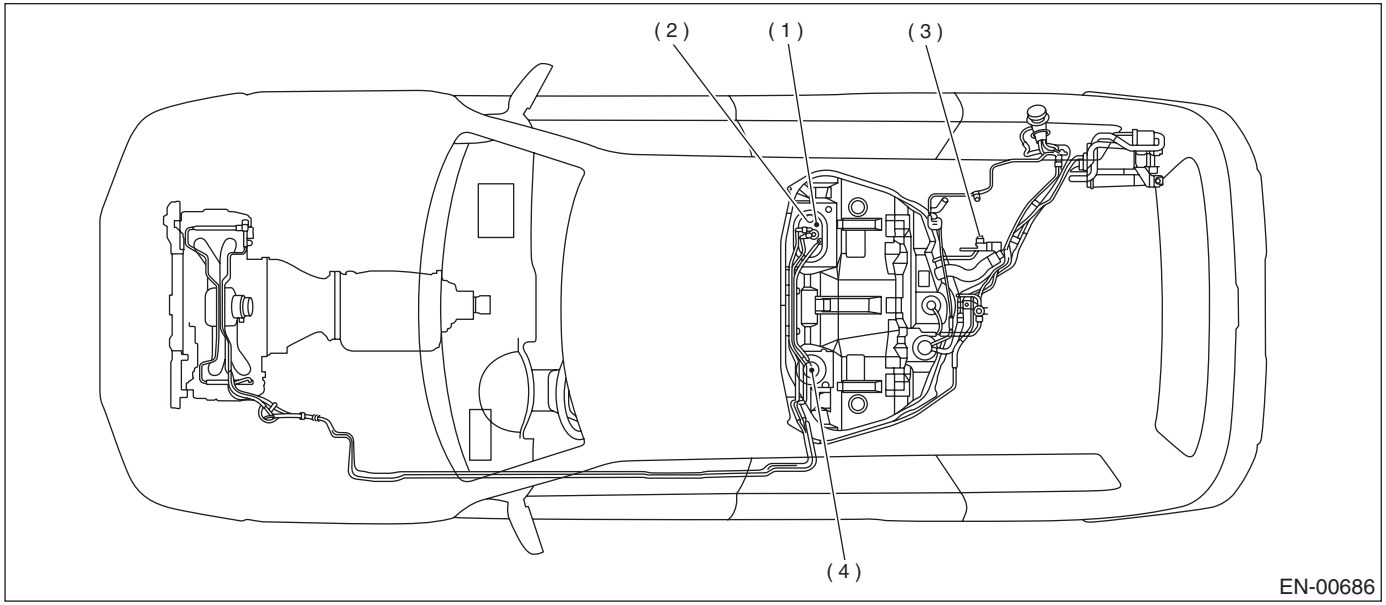


- (1) Front oxygen (A/F) sensor
- (2) Rear oxygen sensor
- (3) Front catalytic converter
- (4) Rear catalytic converter



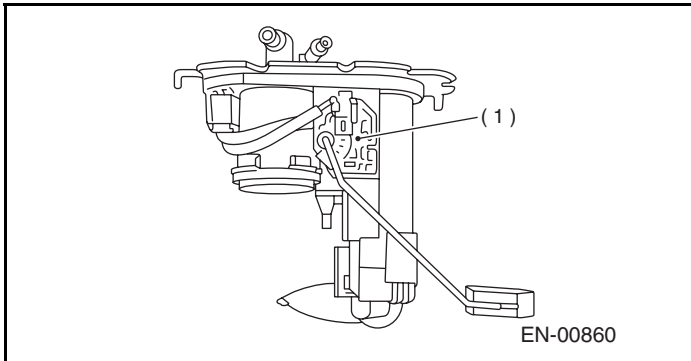
# ELECTRICAL COMPONENTS LOCATION

ENGINE (DIAGNOSTICS)

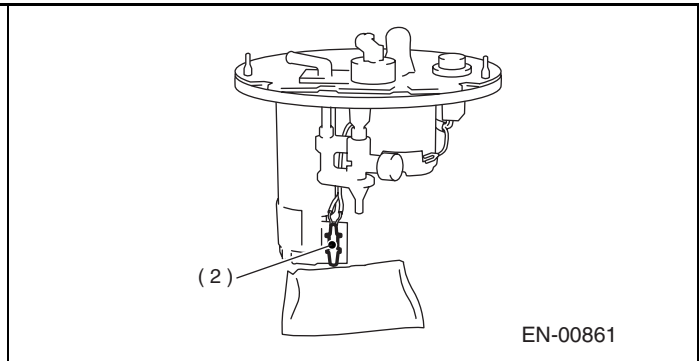


EN-00686

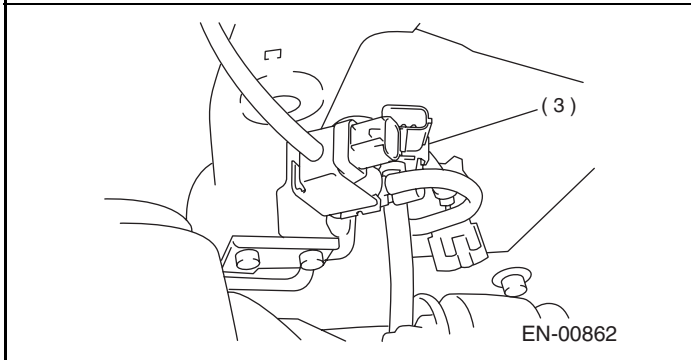
- (1) Fuel level sensor
- (2) Fuel temperature sensor
- (3) Fuel tank pressure sensor
- (4) Fuel sub level sensor



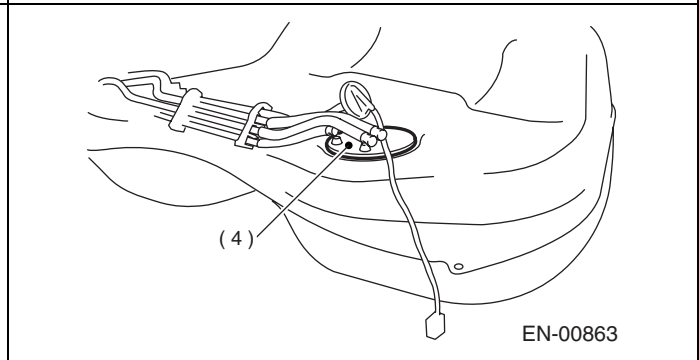
EN-00860



EN-00861



EN-00862

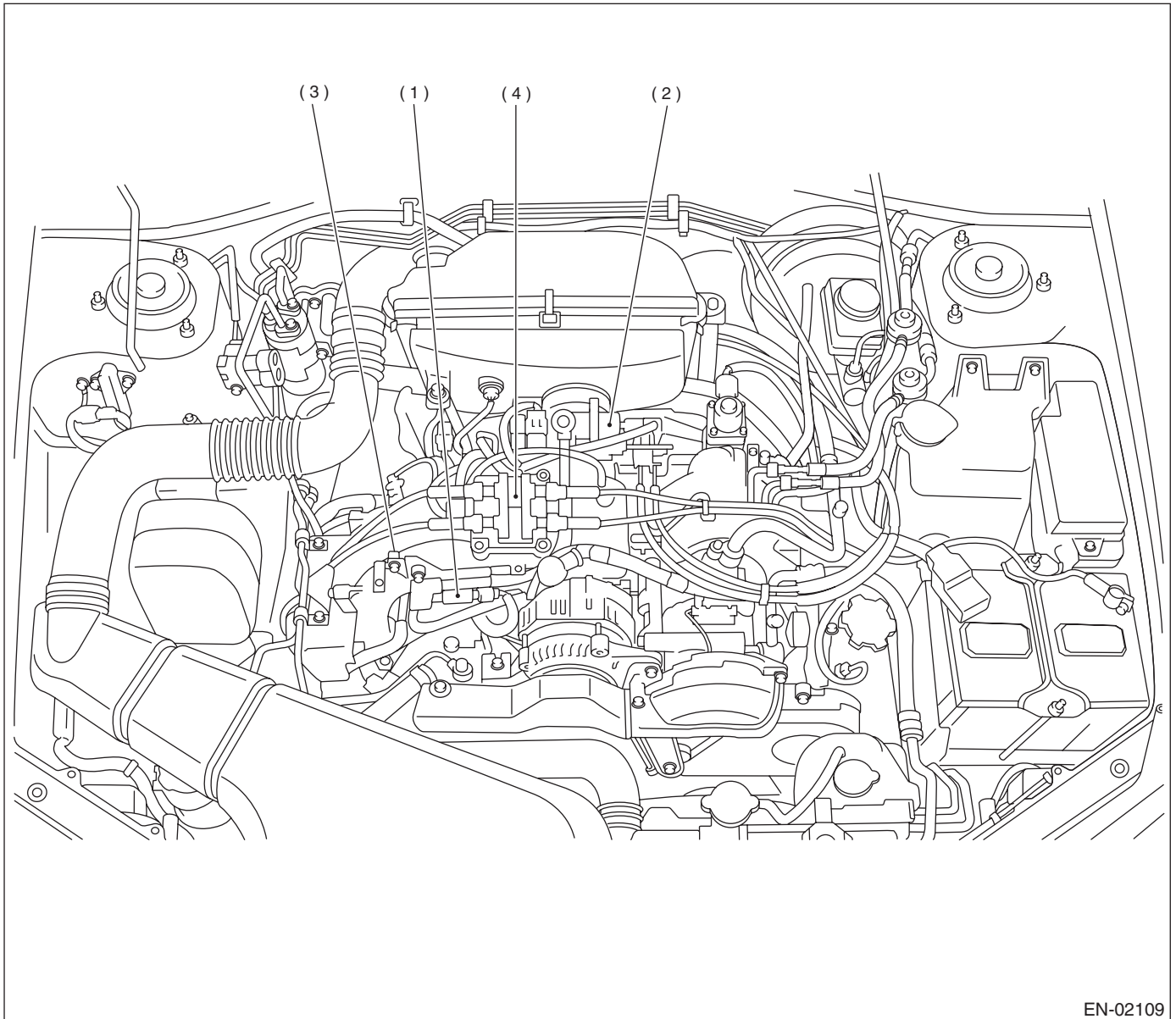


EN-00863

# ELECTRICAL COMPONENTS LOCATION

ENGINE (DIAGNOSTICS)

## • SOLENOID VALVE, EMISSION CONTROL SYSTEM PARTS AND IGNITION SYSTEM PARTS



EN-02109

(1) Air assist injector solenoid valve

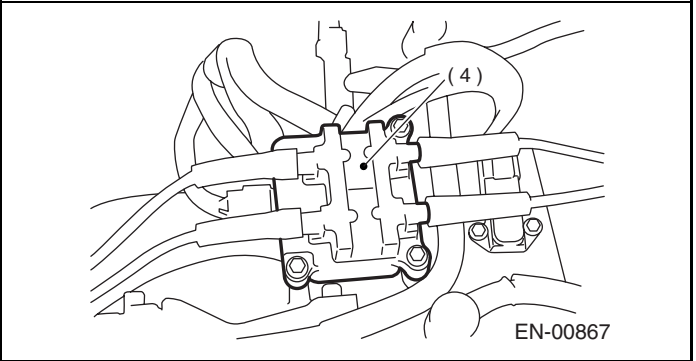
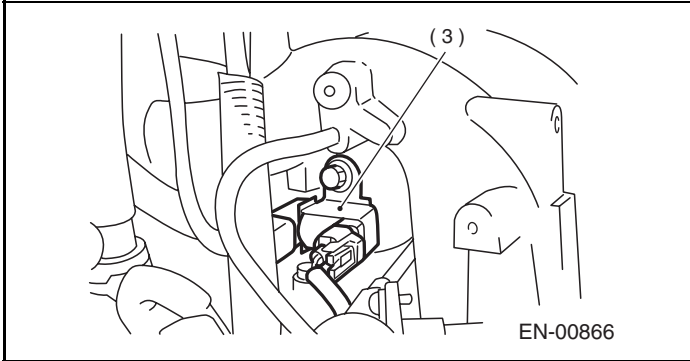
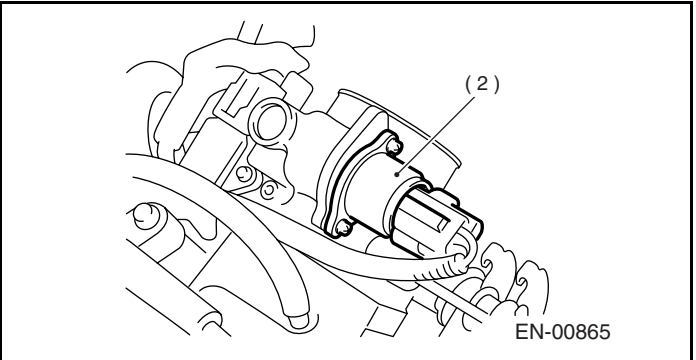
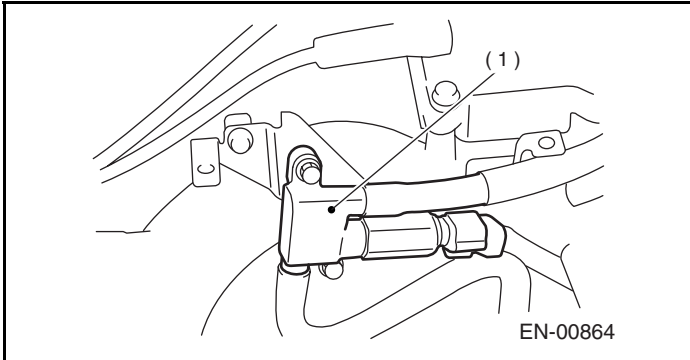
(2) Idle air control solenoid valve

(3) Purge control solenoid valve

(4) Ignition coil & ignitor ASSY

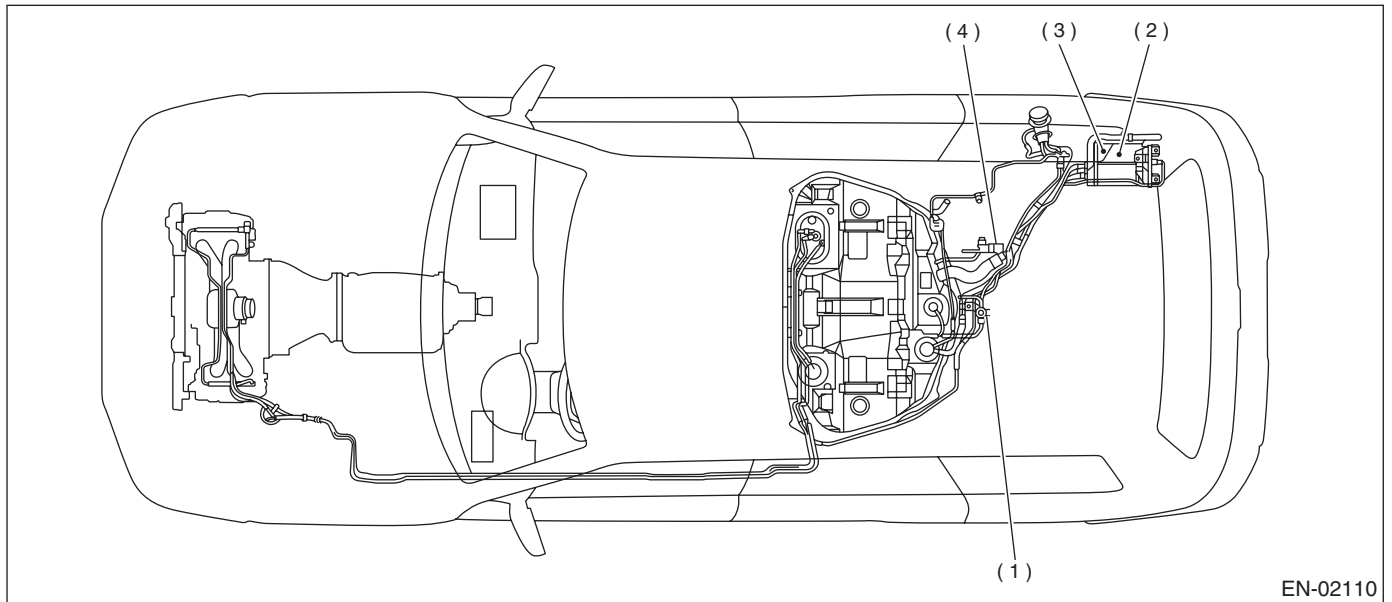
# ELECTRICAL COMPONENTS LOCATION

ENGINE (DIAGNOSTICS)



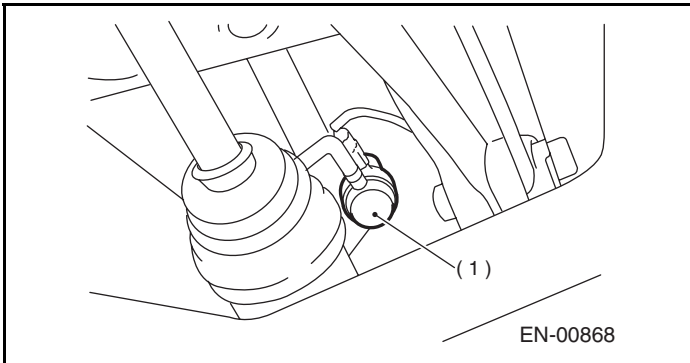
# ELECTRICAL COMPONENTS LOCATION

## ENGINE (DIAGNOSTICS)

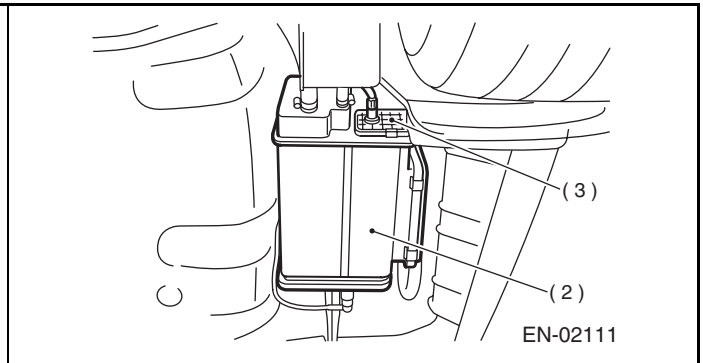


EN-02110

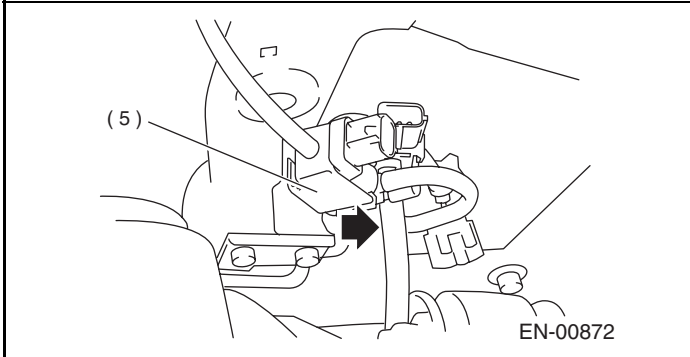
- (1) Pressure control solenoid valve      (3) Drain valve (integrated with canister)      (4) Fuel tank sensor control valve  
(2) Canister (built-in drain filter)



EN-00868



EN-02111



EN-00872

**SUBARU.**



# ELECTRICAL COMPONENTS LOCATION

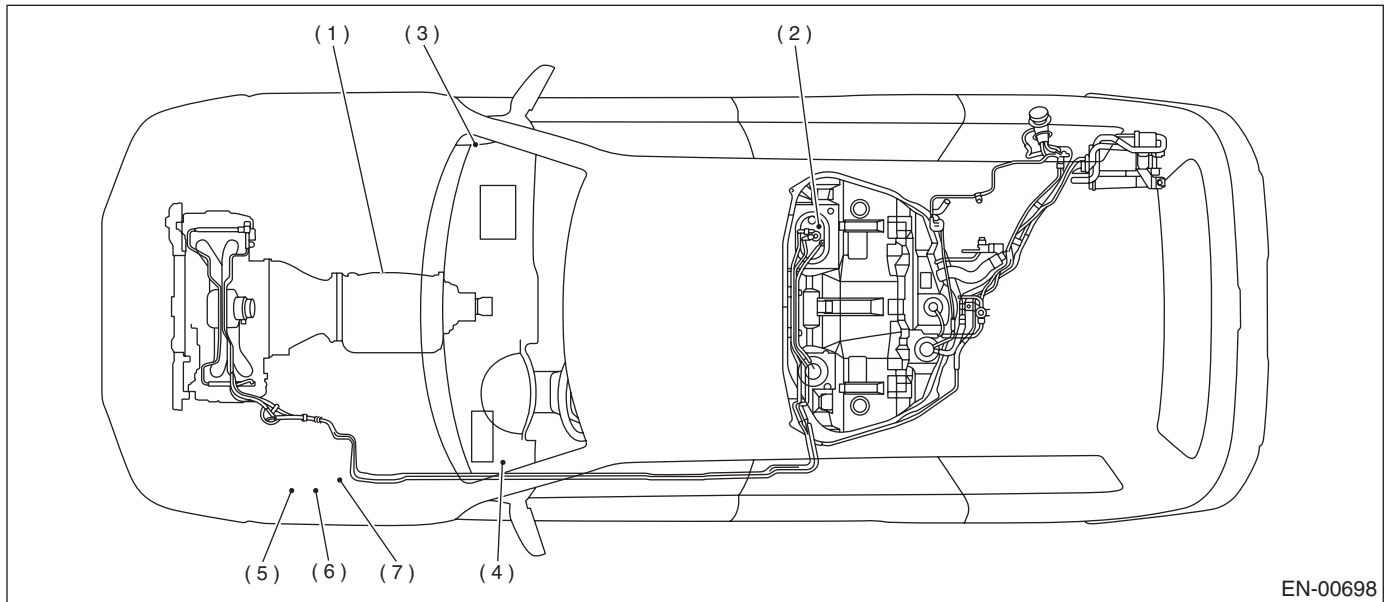
ENGINE (DIAGNOSTICS)

---

MEMO:

# ELECTRICAL COMPONENTS LOCATION

## ENGINE (DIAGNOSTICS)

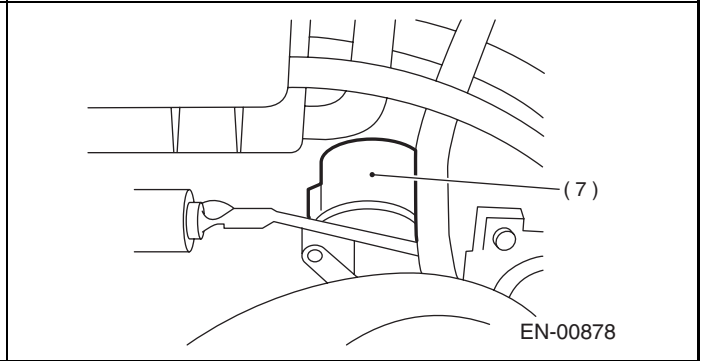
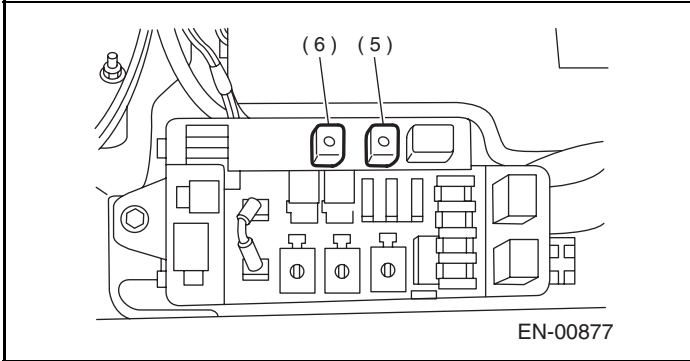
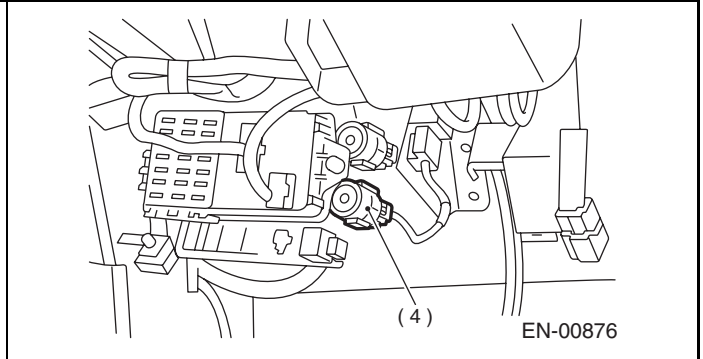
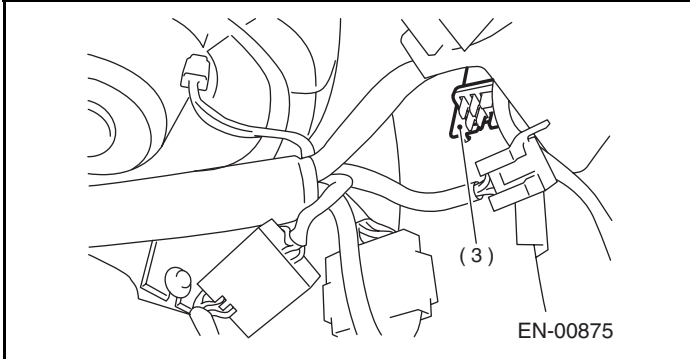
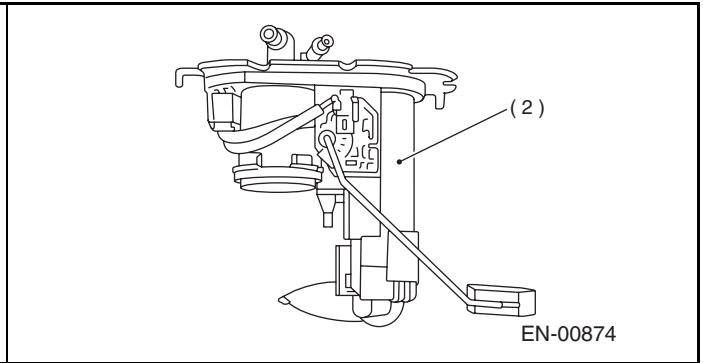
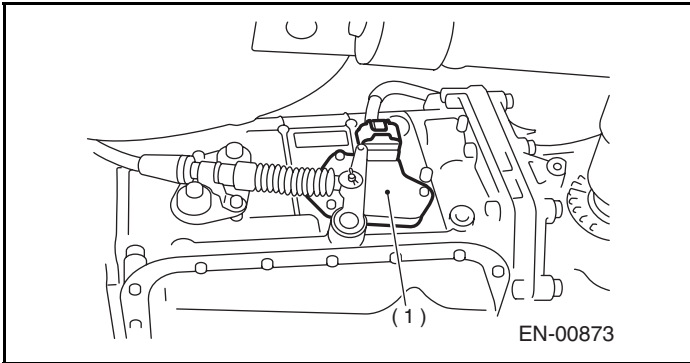


EN-00698

- |                      |                             |             |
|----------------------|-----------------------------|-------------|
| (1) Inhibitor switch | (4) Fuel pump relay         | (7) Starter |
| (2) Fuel pump        | (5) Radiator main fan relay |             |
| (3) Main relay       | (6) Radiator sub fan relay  |             |

# ELECTRICAL COMPONENTS LOCATION

ENGINE (DIAGNOSTICS)

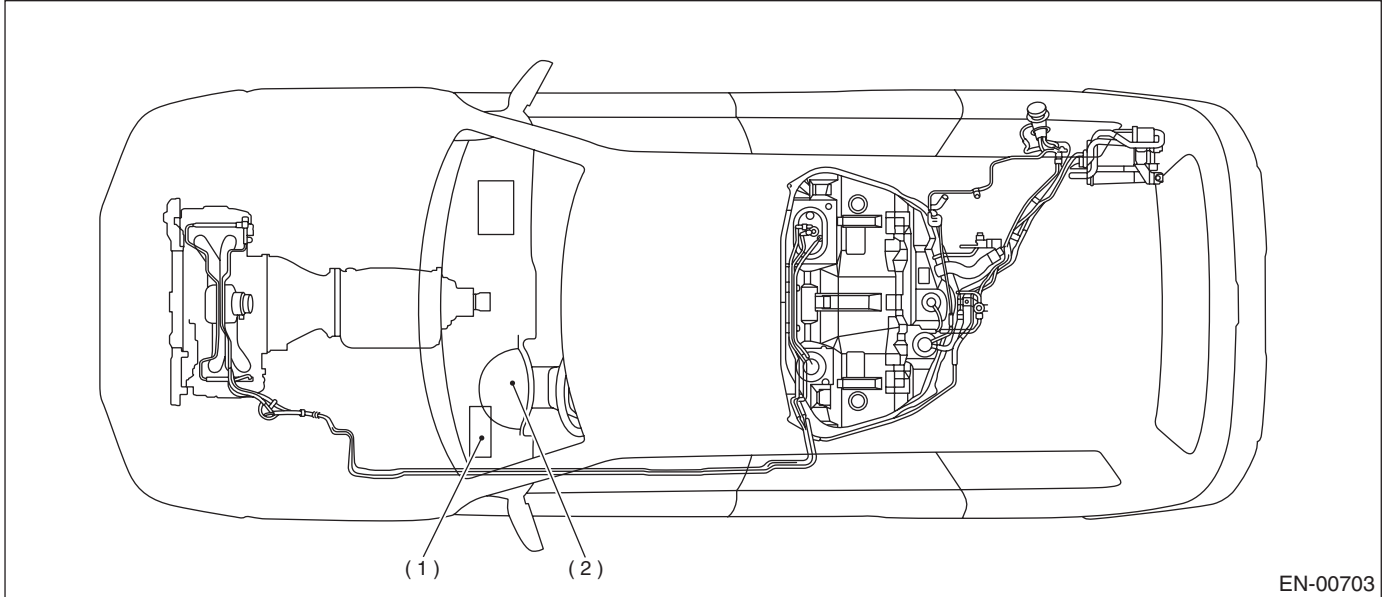


# ELECTRICAL COMPONENTS LOCATION

ENGINE (DIAGNOSTICS)

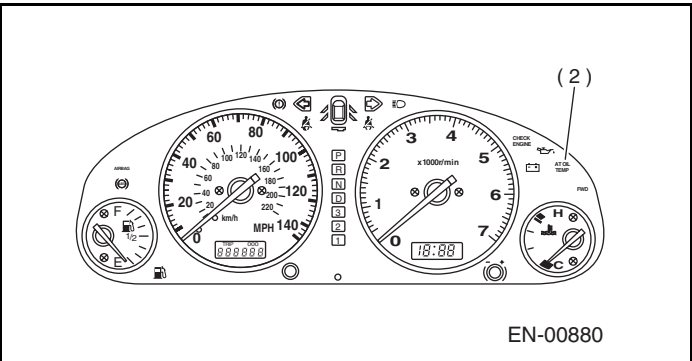
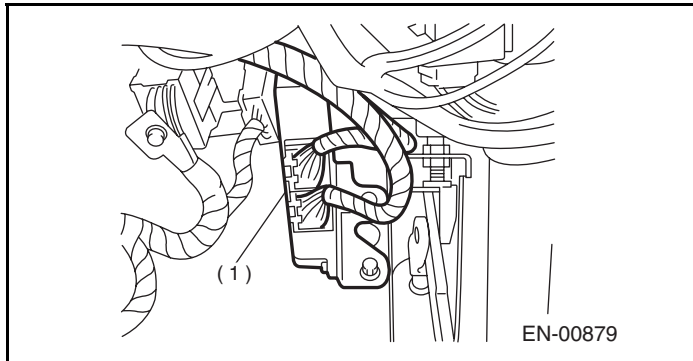
## 2. TRANSMISSION

### • MODULE



(1) Transmission Control Module (TCM) (for AT vehicles)

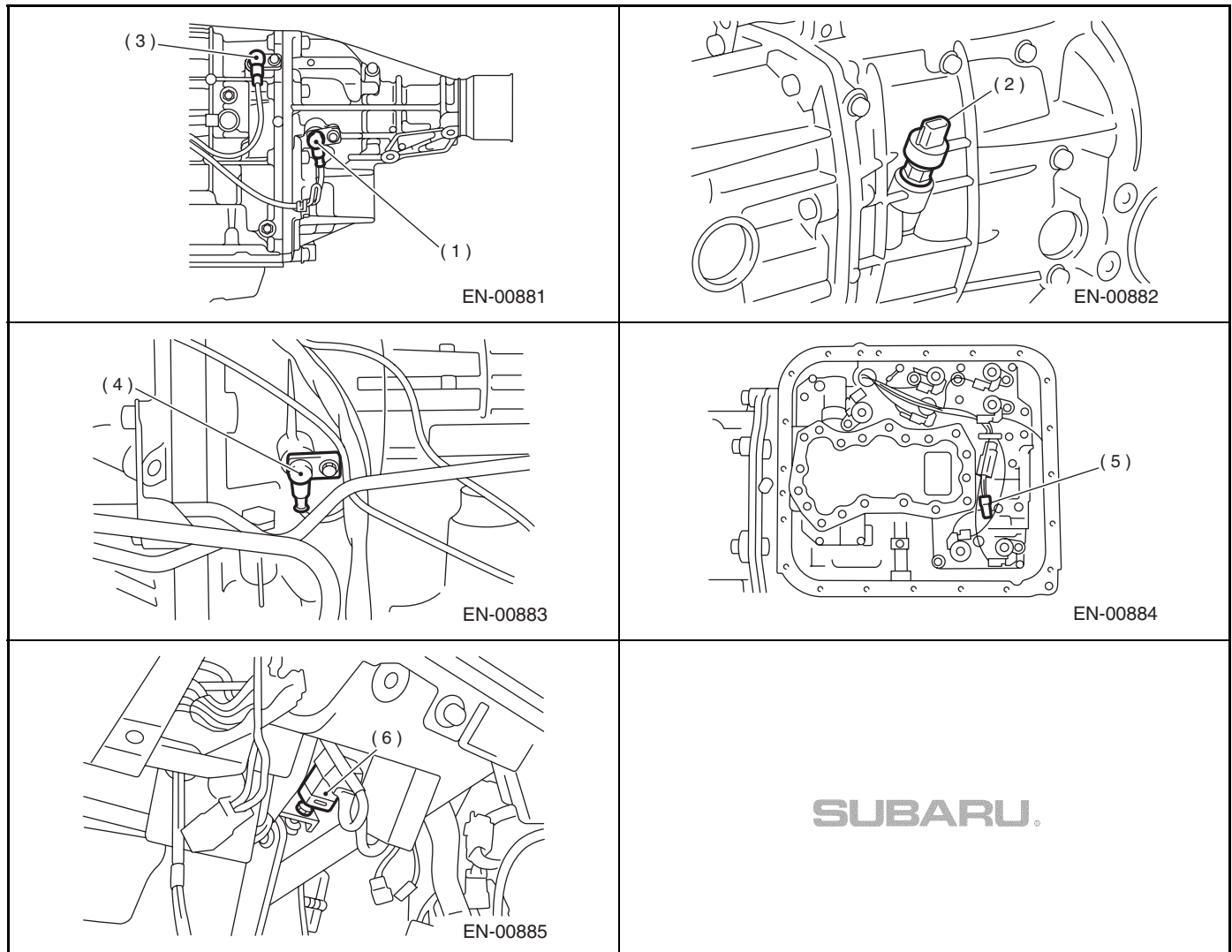
(2) AT diagnostic indicator light (for AT vehicles)



# ELECTRICAL COMPONENTS LOCATION

ENGINE (DIAGNOSTICS)

## • SENSOR

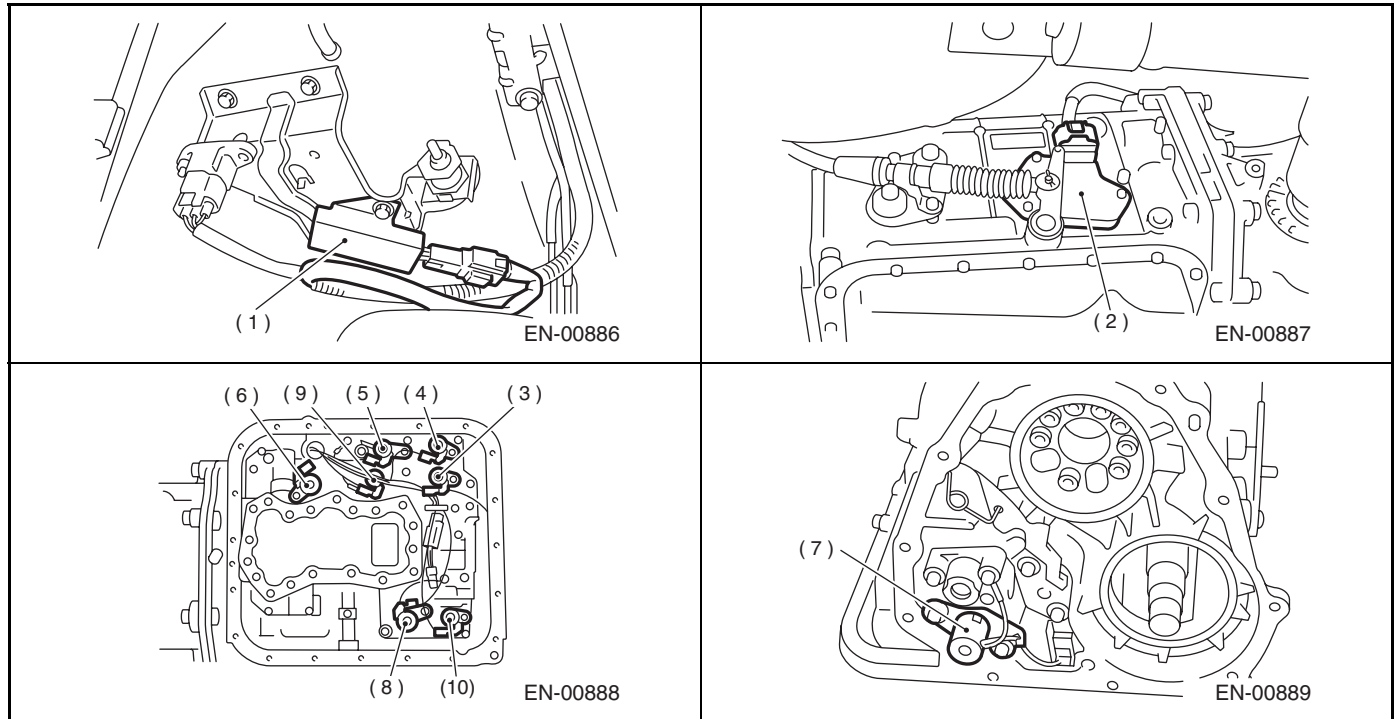


- (1) Rear vehicle speed sensor (for AT vehicles)
- (2) Front vehicle speed sensor (for MT vehicles)
- (3) Front vehicle speed sensor (for AT vehicles)
- (4) Torque converter turbine speed sensor
- (5) ATF temperature sensor (for AT vehicles)
- (6) Brake light switch

# ELECTRICAL COMPONENTS LOCATION

## ENGINE (DIAGNOSTICS)

### • SOLENOID VALVE AND SWITCH (AT VEHICLES)

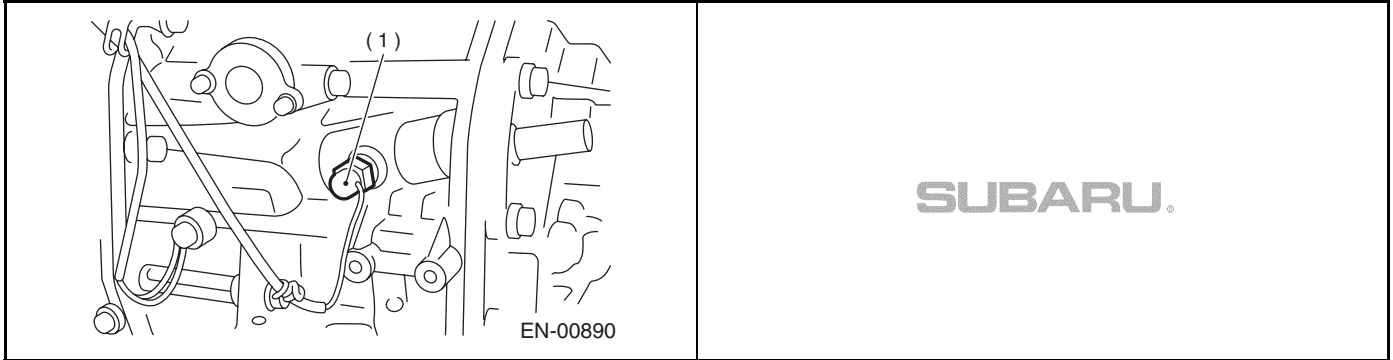


- (1) Dropping resistor
- (2) Inhibitor switch
- (3) Shift solenoid valve 1
- (4) Shift solenoid valve 2
- (5) Line pressure duty solenoid
- (6) Lock-up duty solenoid
- (7) Transfer duty solenoid
- (8) 2-4 brake duty solenoid
- (9) Low clutch timing solenoid valve
- (10) 2-4 brake timing solenoid valve

# ELECTRICAL COMPONENTS LOCATION

ENGINE (DIAGNOSTICS)

## • SOLENOID VALVE AND SWITCH (MT VEHICLES)



(1) Neutral position switch