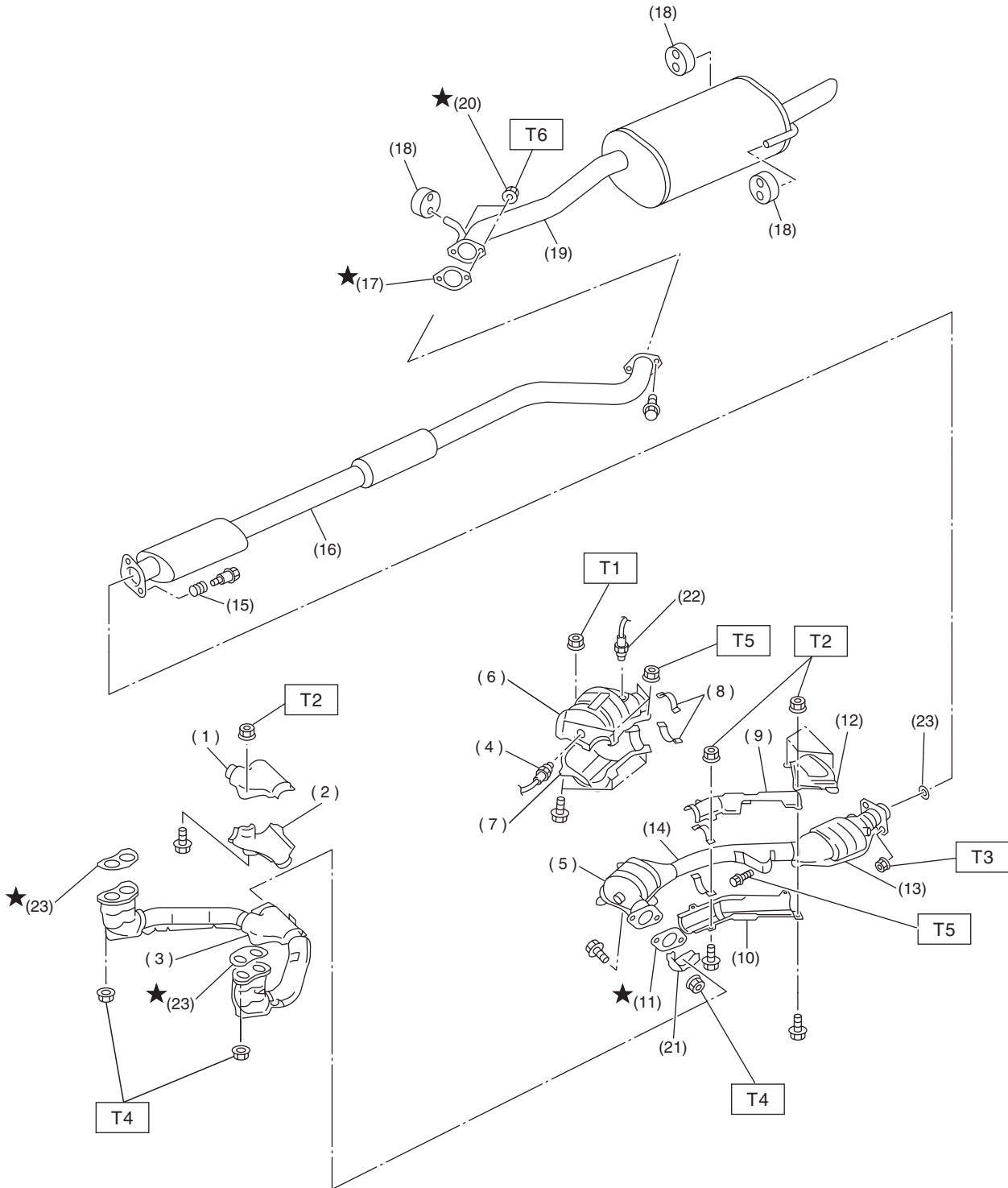


GENERAL DESCRIPTION

EXHAUST

1. General Description

A: COMPONENT



EX-02082

EX(H4SO)-2

GENERAL DESCRIPTION

EXHAUST

-
- | | | |
|---|---|-------------------------|
| (1) Upper front exhaust pipe cover CTR | (10) Lower center exhaust pipe cover | (22) Rear oxygen sensor |
| (2) Lower front exhaust pipe cover CTR | (11) Gasket | (23) Gasket |
| (3) Front exhaust pipe | (12) Upper rear catalytic converter cover | |
| (4) Front oxygen (A/F) sensor | (13) Rear catalytic converter | |
| (5) Front catalytic converter | (14) Center exhaust pipe | |
| (6) Upper front catalytic converter cover | (15) Spring | |
| (7) Lower front catalytic converter cover | (16) Rear exhaust pipe | |
| (8) Clamp | (17) Gasket | |
| (9) Upper center exhaust pipe cover | (18) Cushion rubber | |
| | (19) Muffler | |
| | (20) Self-locking nut | |
| | (21) Protector | |

Tightening torque: N·m (kgf-m, ft-lb)

T1: 8 (0.8, 5.8)

T2: 13 (1.3, 9.4)

T3: 18 (1.8, 13.0)

T4: 30 (3.1, 22.4)

T5: 35 (3.6, 26.0)

T6: 48 (4.9, 35.4)

GENERAL DESCRIPTION

EXHAUST

B: CAUTION

- Wear working clothing, including a cap, protective goggles, and protective shoes during operation.
- Remove contamination including dirt and corrosion before removal, installation or disassembly.
- Keep the disassembled parts in order and protect them from dust or dirt.
- Before removal, installation or disassembly, be sure to clarify the failure. Avoid unnecessary removal, installation, disassembly, and replacement.
- Be careful not to burn your hands, because each part on the vehicle is hot after running.
- Be sure to tighten fasteners including bolts and nuts to the specified torque.
- Place shop jacks or safety stands at the specified points.
- Before disconnecting electrical connectors of sensors or units, be sure to disconnect ground cable from battery.