

GENERAL DESCRIPTION

FUEL INJECTION (FUEL SYSTEMS)

1. General Description

A: SPECIFICATIONS

Model		
Fuel tank	Capacity	64 ℓ (16.9 US gal, 14.1 Imp gal)
	Location	Under rear seat
Fuel pump	Type	Impeller
	Shutoff discharge pressure	370 — 677 kPa (3.77 — 6.9 kg/cm ² , 53.6 — 98 psi)
	Discharge flow	More than 65 ℓ (17.2 US gal, 14.3 Imp gal)/h [12 V at 300 kPa (3.06 kg/cm ² , 43.5 psi)]
Fuel filter		Cartridge type

GENERAL DESCRIPTION

FUEL INJECTION (FUEL SYSTEMS)

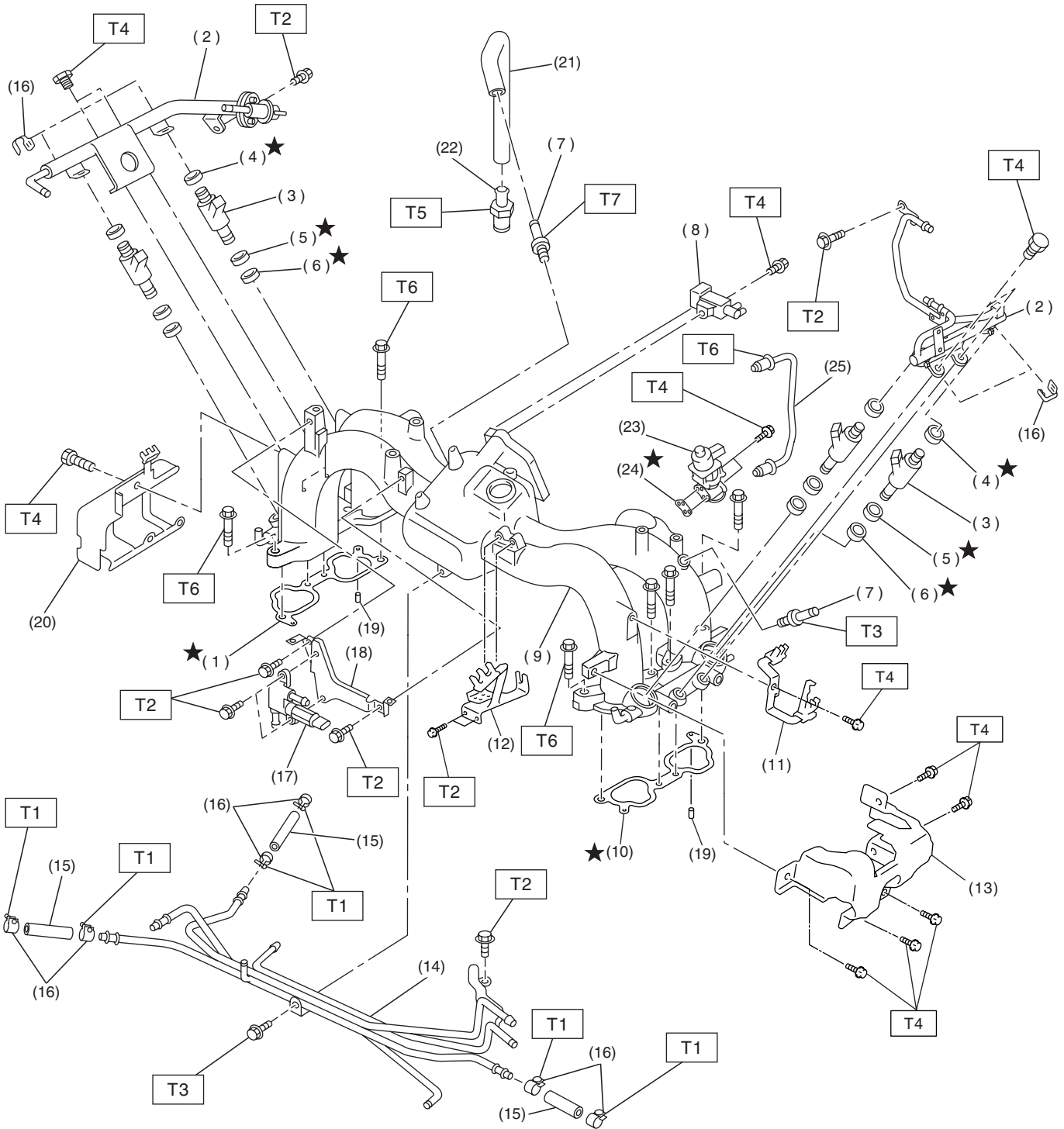
MEMO:

GENERAL DESCRIPTION

FUEL INJECTION (FUEL SYSTEMS)

B: COMPONENT

1. INTAKE MANIFOLD



FU-02549

FU(H4SO)-4

GENERAL DESCRIPTION

FUEL INJECTION (FUEL SYSTEMS)

- (1) Intake manifold gasket RH
- (2) Fuel injector pipe
- (3) Fuel injector
- (4) O-ring
- (5) O-ring
- (6) O-ring
- (7) Nipple
- (8) Purge control solenoid valve
- (9) Intake manifold
- (10) Intake manifold gasket LH
- (11) Plug cord holder LH
- (12) Accelerator cable bracket
- (13) Fuel pipe protector LH

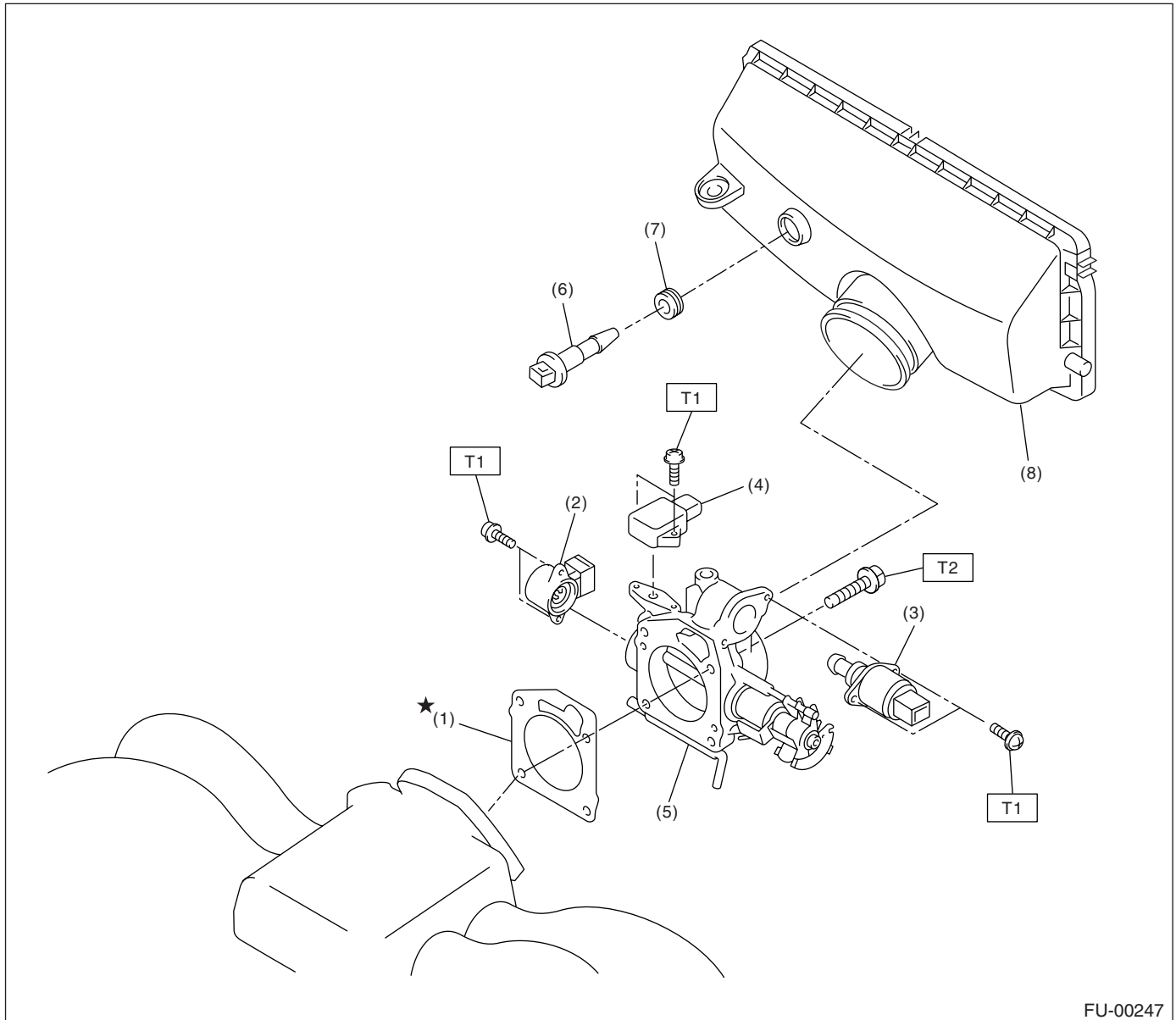
- (14) Fuel pipe ASSY
- (15) Fuel hose
- (16) Clip
- (17) Air assist injector solenoid valve
- (18) Air assist injector solenoid valve bracket
- (19) Guide pin
- (20) Fuel pipe protector RH
- (21) PCV hose
- (22) PCV valve
- (23) EGR valve
- (24) EGR valve gasket
- (25) EGR pipe

Tightening torque: N-m (kgf-m, ft-lb)**T1: 1.5 (0.15, 1.1)****T2: 5.0 (0.51, 3.7)****T3: 17 (1.7, 12)****T4: 19 (0.19, 1.4)****T5: 23 (2.3, 17)****T6: 25 (2.6, 18.8)****T7: 22.5 (2.29, 16.6)**

GENERAL DESCRIPTION

FUEL INJECTION (FUEL SYSTEMS)

2. AIR INTAKE SYSTEM



- | | |
|-------------------------------------|-----------------------------------|
| (1) Gasket | (5) Throttle body |
| (2) Throttle position sensor | (6) Intake air temperature sensor |
| (3) Idle air control solenoid valve | (7) Grommet |
| (4) Pressure sensor | (8) Air cleaner case |

Tightening torque: N·m (kgf·m, ft·lb)

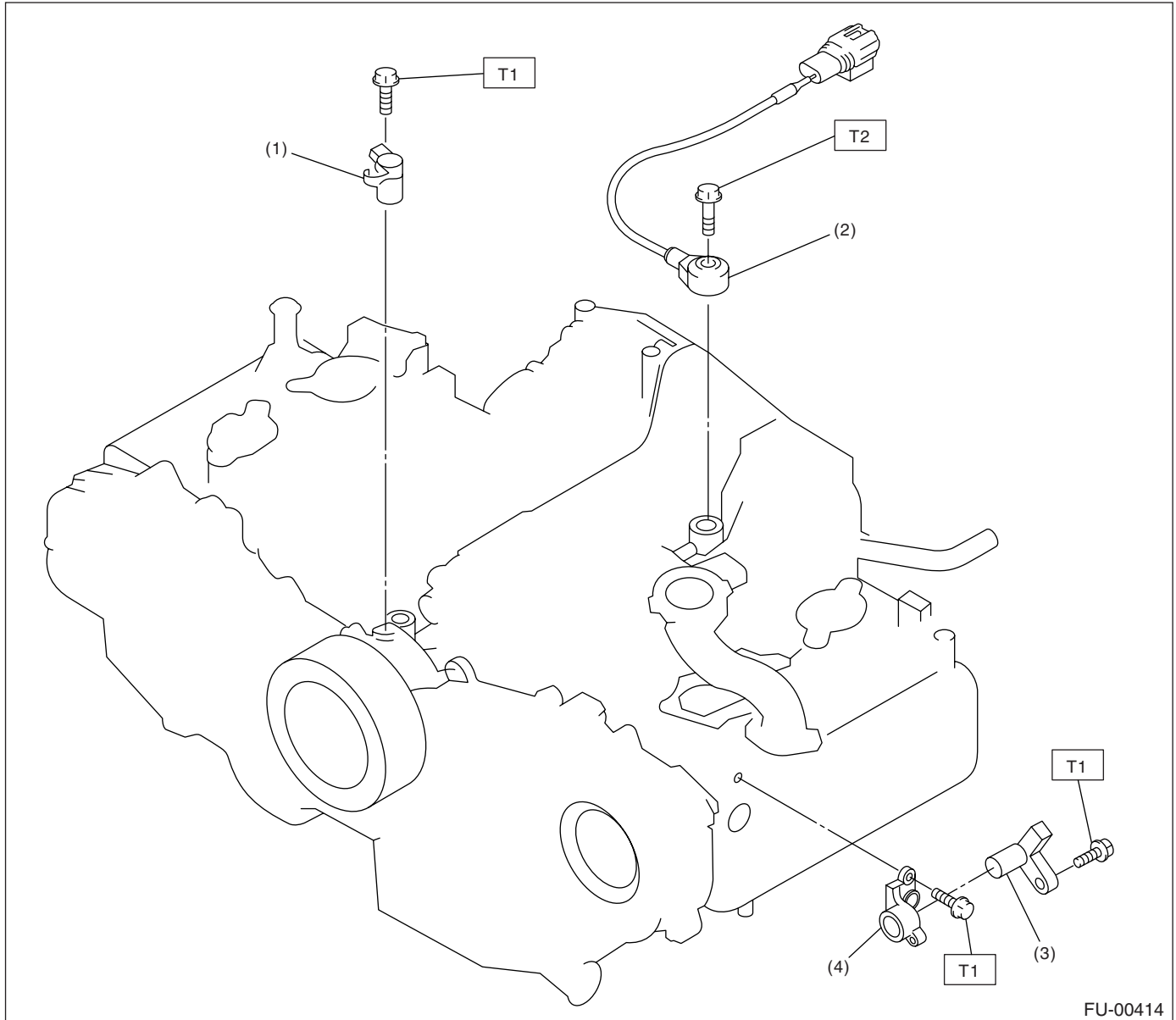
T1: 2.4 (0.24, 1.7)

T2: 22 (2.2, 16)

GENERAL DESCRIPTION

FUEL INJECTION (FUEL SYSTEMS)

3. CRANKSHAFT POSITION, CAMSHAFT POSITION AND KNOCK SENSORS



- (1) Crankshaft position sensor
- (2) Knock sensor

- (3) Camshaft position sensor
- (4) Camshaft position sensor support

Tightening torque: N·m (kgf-m, ft-lb)

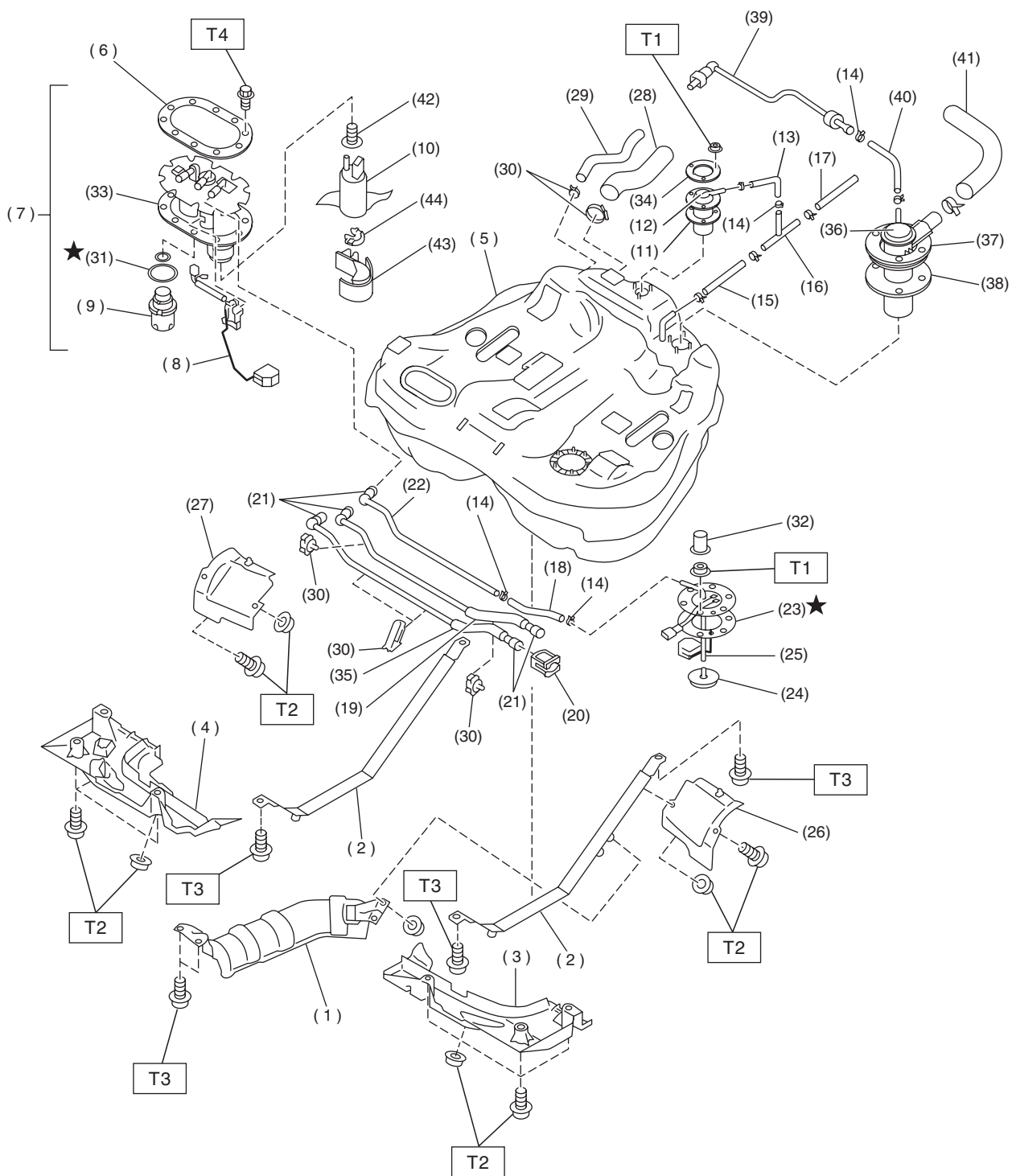
T1: 6.4 (0.65, 4.7)

T2: 24 (2.4, 17.4)

GENERAL DESCRIPTION

FUEL INJECTION (FUEL SYSTEMS)

4. FUEL TANK



FU-02006

GENERAL DESCRIPTION

FUEL INJECTION (FUEL SYSTEMS)

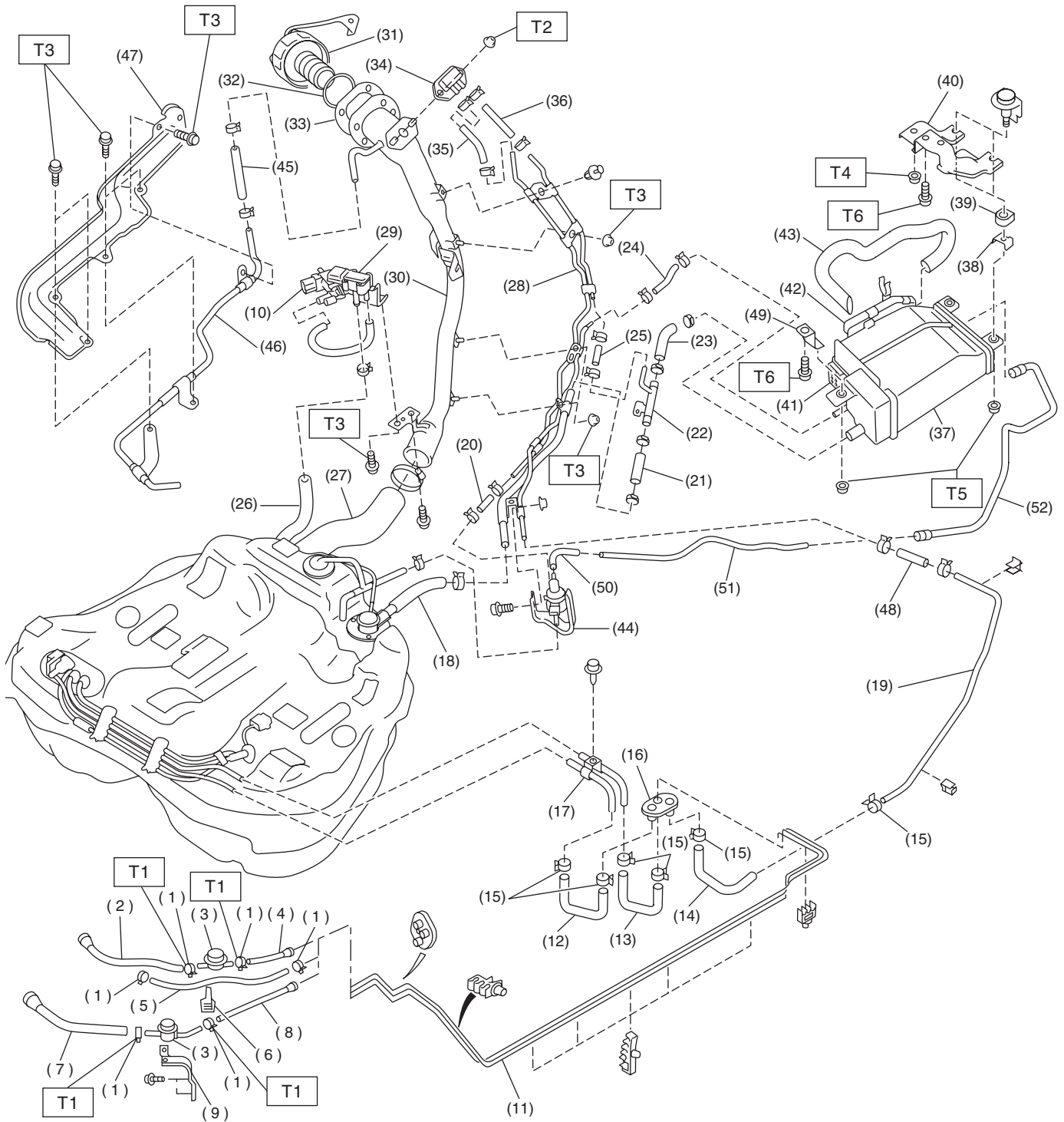
(1) Heat sealed cover	(18) Jet pump hose A	(35) Fuel delivery tube
(2) Fuel tank band	(19) Fuel return tube	(36) Vent valve
(3) Protector LH (Front)	(20) Retainer	(37) Vent valve plate
(4) Protector RH (Front)	(21) Quick connector	(38) Vent valve gasket
(5) Fuel tank	(22) Jet pump tube B	(39) Evaporation tube
(6) Fuel pump plate	(23) Fuel sub level sensor gasket	(40) Evaporation hose D
(7) Fuel pump ASSY	(24) Jet pump filter	(41) Air vent hose
(8) Fuel level sensor	(25) Fuel sub level sensor	(42) Seal
(9) Fuel filter	(26) Protector LH (Rear)	(43) Fuel pump holder
(10) Fuel pump	(27) Protector RH (Rear)	(44) Grommet
(11) Fuel cut valve gasket	(28) Fuel filler hose	
(12) Fuel cut valve	(29) Fuel tank pressure sensor hose	
(13) Evaporation hose A	(30) Clamp	
(14) Clip	(31) Gasket	
(15) Evaporation hose C	(32) Cap	
(16) Joint pipe	(33) Gasket	
(17) Evaporation hose B	(34) Fuel cut valve plate	

Tightening torque: N-m (kgf-m, ft-lb)**T1: 4.4 (0.45, 3.3)****T2: 18 (1.8, 13.0)****T3: 33 (3.4, 25)****T4: 5.9 (0.6, 4.3)**

GENERAL DESCRIPTION

FUEL INJECTION (FUEL SYSTEMS)

5. FUEL LINE



FU-02583

GENERAL DESCRIPTION

FUEL INJECTION (FUEL SYSTEMS)

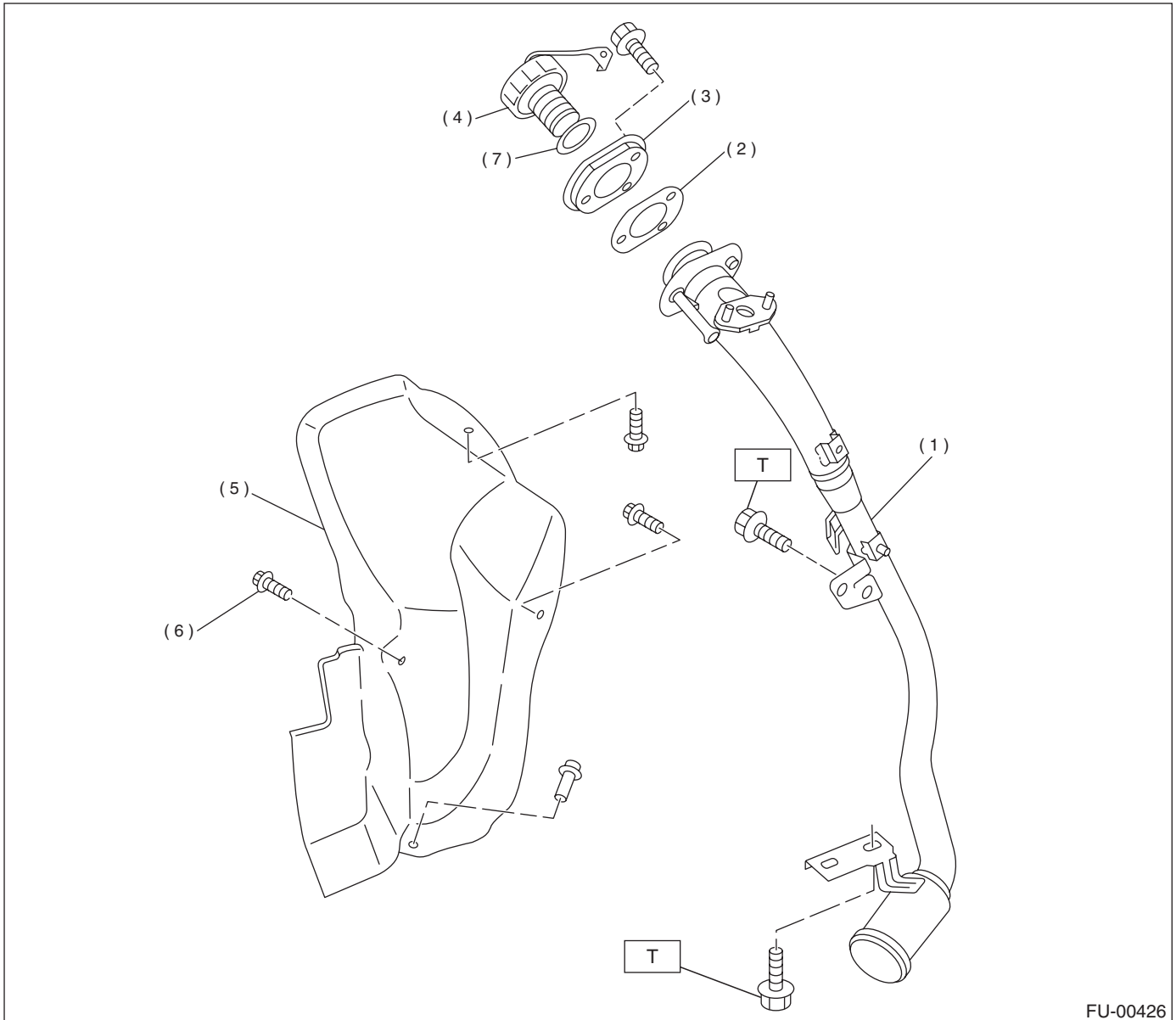
- | | | |
|-------------------------------------|--------------------------------------|-------------------------------|
| (1) Clamp | (23) Air vent hose C | (45) Evaporation hose H |
| (2) Fuel return hose A | (24) Evaporation hose D | (46) Evaporation pipe C |
| (3) Fuel damper valve | (25) Evaporation hose E | (47) Pipe protector |
| (4) Fuel return hose B | (26) Fuel tank pressure sensor hose | (48) Evaporation hose I |
| (5) Evaporation hose A | (27) Fuel filler hose | (49) Canister bracket (front) |
| (6) Clip | (28) Evaporation pipe B | (50) PCV hose |
| (7) Fuel delivery hose A | (29) Fuel tank pressure sensor | (51) PCV pipe |
| (8) Fuel delivery hose B | (30) Fuel filler pipe | (52) PCV tube |
| (9) Fuel damper valve bracket | (31) Fuel filler cap | |
| (10) Fuel tank sensor control valve | (32) Ring | |
| (11) Fuel pipe ASSY | (33) Packing | |
| (12) Fuel delivery hose C | (34) Shut valve | |
| (13) Fuel return hose C | (35) Evaporation hose F | |
| (14) Evaporation hose B | (36) Evaporation hose G | |
| (15) Clamp | (37) Canister | |
| (16) Grommet | (38) Canister lower bracket | |
| (17) Fuel pipe ASSY | (39) Cushion rubber | |
| (18) Air vent hose A | (40) Canister upper bracket | |
| (19) Evaporation pipe A | (41) Drain valve | |
| (20) Evaporation hose C | (42) Drain filter | |
| (21) Air vent hose B | (43) Drain hose | |
| (22) Air vent pipe | (44) Pressure control solenoid valve | |

Tightening torque: N-m (kgf-m, ft-lb)**T1: 1.5 (0.15, 1.1)****T2: 4.5 (0.46, 3.3)****T3: 7.5 (0.76, 5.5)****T4: 18 (1.8, 13.0)****T5: 23 (2.3, 16.6)****T6: 33 (3.4, 25)**

GENERAL DESCRIPTION

FUEL INJECTION (FUEL SYSTEMS)

6. FUEL FILLER PIPE



FU-00426

- | | |
|---------------------------|---------------------------|
| (1) Fuel filler pipe ASSY | (5) Filler pipe protector |
| (2) Filler pipe packing | (6) Clip |
| (3) Filler ring | (7) Ring B |
| (4) Filler cap | |

Tightening torque: N·m (kgf-m, ft-lb)

T: 7.5 (0.75, 5.4)

GENERAL DESCRIPTION

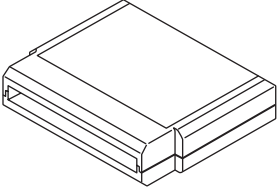

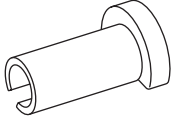
FUEL INJECTION (FUEL SYSTEMS)

C: CAUTION

- Wear working clothing, including a cap, protective goggles, and protective shoes during operation.
- Remove contamination including dirt and corrosion before removal, installation or disassembly.
- Keep the disassembled parts in order and protect them from dust or dirt.
- Before removal, installation or disassembly, be sure to clarify the failure. Avoid unnecessary removal, installation, disassembly, and replacement.

- Be careful not to burn your hands, because each part on the vehicle is hot after running.
- Be sure to tighten fasteners including bolts and nuts to the specified torque.
- Place shop jacks or safety stands at the specified points.
- Before disconnecting electrical connectors of sensors or units, be sure to disconnect ground cable from battery.
- Place "NO FIRE" signs near the working area.
- Be careful not to spill fuel on the floor.

D: PREPARATION TOOL

ILLUSTRATION	TOOL NUMBER	DESCRIPTION	REMARKS
 <p>ST24082AA260</p>	24082AA260	CARTRIDGE	Troubleshooting for electrical systems.
 <p>ST22771AA030</p>	22771AA030	SELECT MONITOR KIT	Troubleshooting for electrical systems.
 <p>ST42099AE000</p>	42099AE000	CONNECTOR REMOVER	Used for removing quick connector in the engine room.