

# INTAKE AIR TEMPERATURE SENSOR

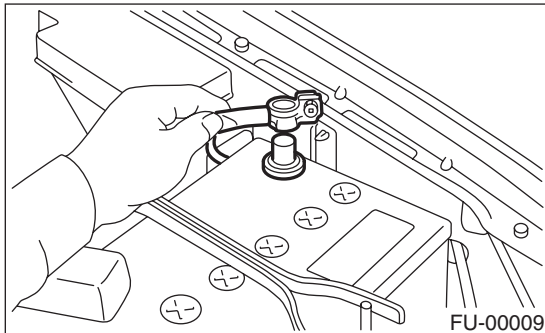
FUEL INJECTION (FUEL SYSTEMS)

---

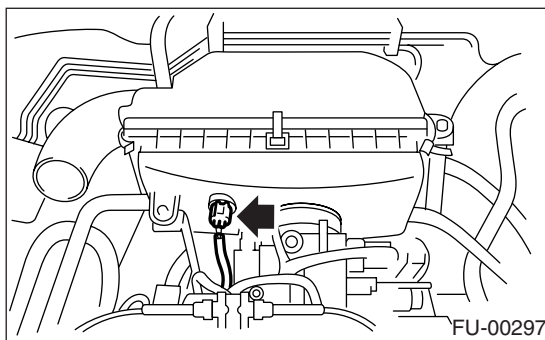
## 10. Intake Air Temperature Sensor

### A: REMOVAL

- 1) Disconnect ground cable from battery.



- 2) Disconnect the connector from the intake air temperature sensor.
- 3) Remove the intake air temperature sensor from air cleaner case.



### B: INSTALLATION

Install in the reverse order of removal.