

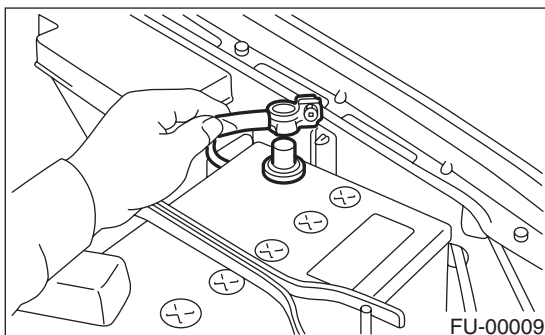
AIR ASSIST INJECTOR SOLENOID VALVE

FUEL INJECTION (FUEL SYSTEMS)

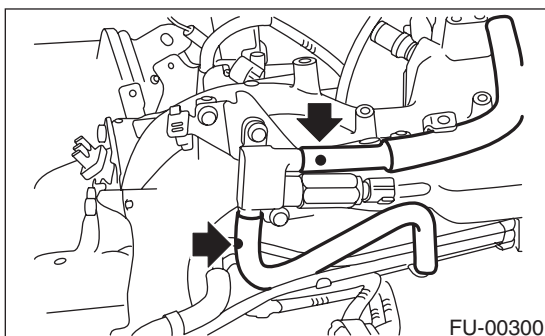
12. Air Assist Injector Solenoid Valve

A: REMOVAL

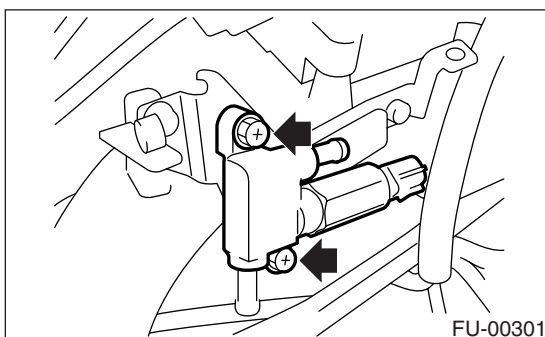
1) Disconnect ground cable from battery.



2) Disconnect connector from air assist injector solenoid valve and disconnect air by-pass hoses.



3) Remove air assist injector solenoid valve from intake manifold.



B: INSTALLATION

Install in the reverse order of removal.

Tightening torque:

5.0 N·m (0.51 kgf-m, 3.7 ft-lb)

