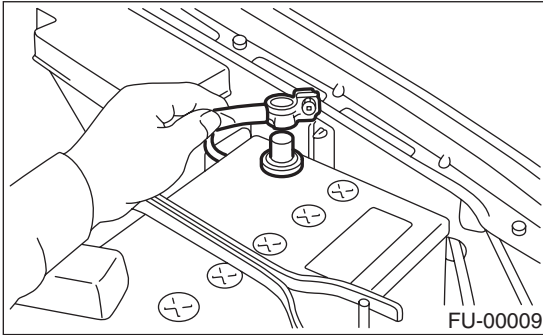


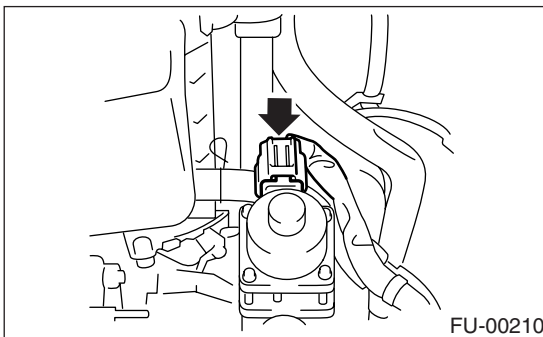
13.EGR Valve

A: REMOVAL

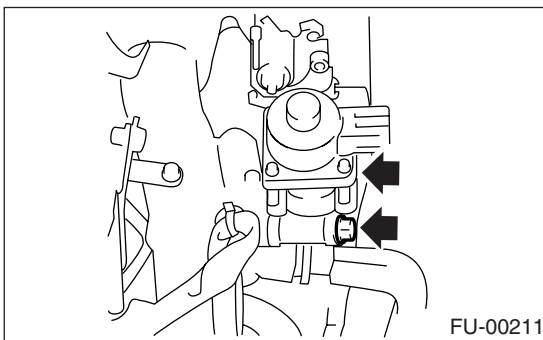
1) Disconnect ground cable from battery.



2) Disconnect connector from EGR valve.



3) Remove EGR valve from intake manifold.



B: INSTALLATION

Install in the reverse order of removal.

Tightening torque:

19 N·m (1.9 kgf-m, 14.0 ft-lb)

