

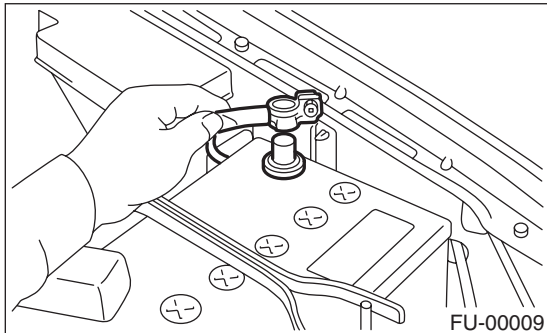
# FRONT OXYGEN (A/F) SENSOR

FUEL INJECTION (FUEL SYSTEMS)

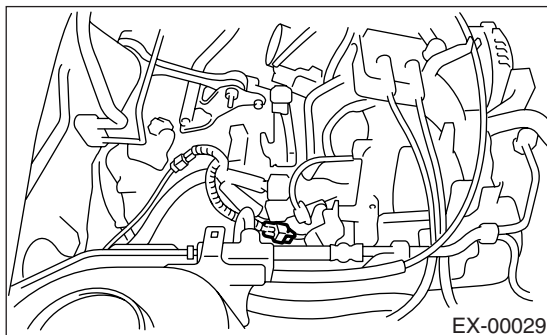
## 15. Front Oxygen (A/F) Sensor

### A: REMOVAL

1) Disconnect ground cable from battery.



2) Disconnect connectors from engine hanger and front oxygen (A/F) sensor.



3) Lift-up the vehicle.

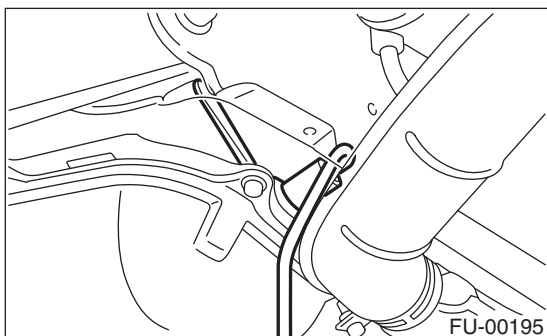
4) Apply SUBARU CRC or its equivalent to threaded portion of front oxygen (A/F) sensor, and leave it for one minute or more.

**SUBARU CRC (Part No. 004301003)**

5) Remove front oxygen (A/F) sensor.

### CAUTION:

**When removing the oxygen (A/F) sensor, wait until exhaust pipe cools, otherwise it will damage exhaust pipe.**



### B: INSTALLATION

1) Before installing front oxygen (A/F) sensor, apply anti-seize compound only to threaded portion of front oxygen (A/F) sensor to make the next removal easier.

**Anti-seize compound:**

**SS-30 by JET LUBE**

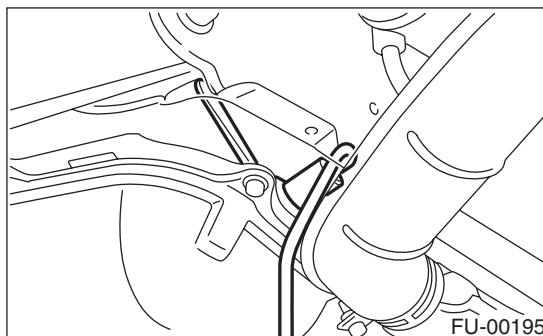
### CAUTION:

**Never apply anti-seize compound to protector of front oxygen (A/F) sensor.**

2) Install front oxygen (A/F) sensor.

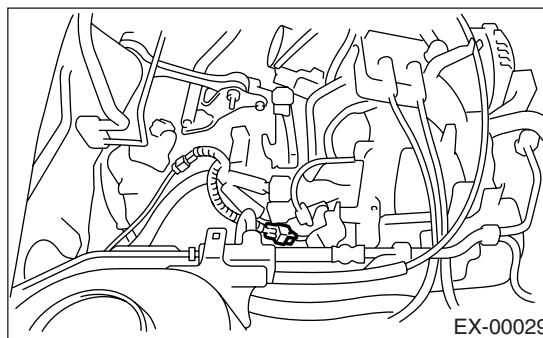
**Tightening torque:**

**21 N·m (2.1 kgf-m, 15.2 ft-lb)**



3) Lower the vehicle.

4) Connect connector of front oxygen (A/F) sensor.



5) Connect battery ground cable.

