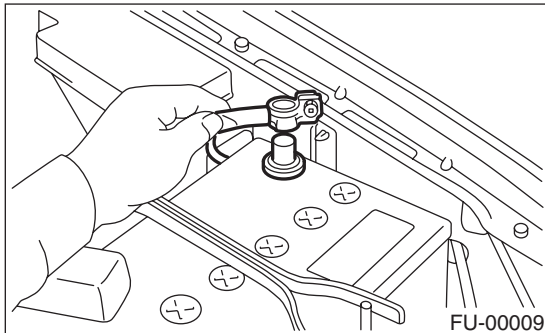


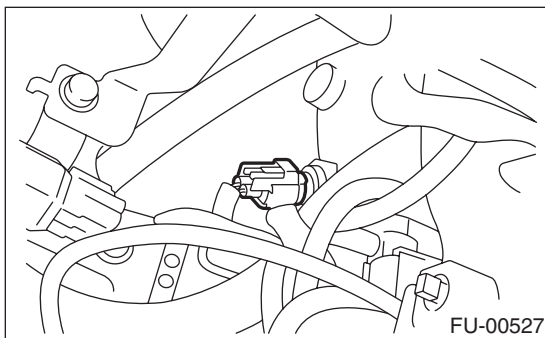
## 4. Engine Coolant Temperature Sensor

### A: REMOVAL

- 1) Disconnect ground cable from battery.



- 2) Remove air intake duct and air cleaner case.  
<Ref. to IN(H4SO)-7, REMOVAL, Air Intake Duct.>  
and <Ref. to IN(H4SO)-6, REMOVAL, Air Cleaner Case.>
- 3) Disconnect connector from engine coolant temperature sensor.



- 4) Remove engine coolant temperature sensor.

### B: INSTALLATION

Install in the reverse order of removal.

**Tightening torque:**

**18 N·m (1.8 kgf-m, 1.3 ft-lb)**