

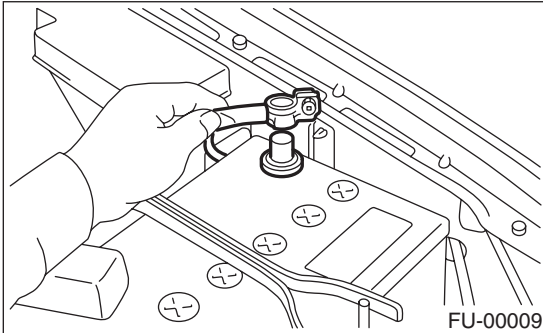
CAMSHAFT POSITION SENSOR

FUEL INJECTION (FUEL SYSTEMS)

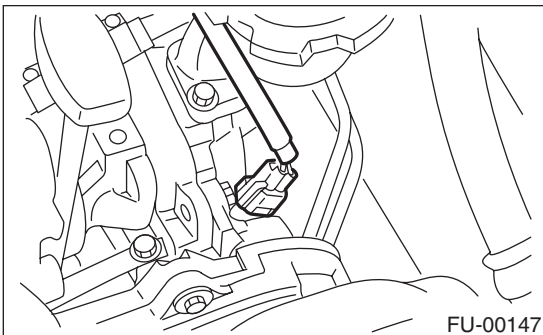
6. Camshaft Position Sensor

A: REMOVAL

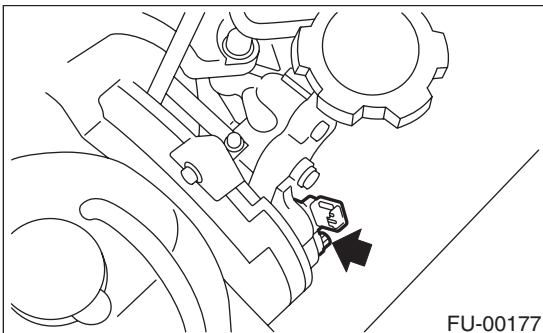
1) Disconnect ground cable from battery.



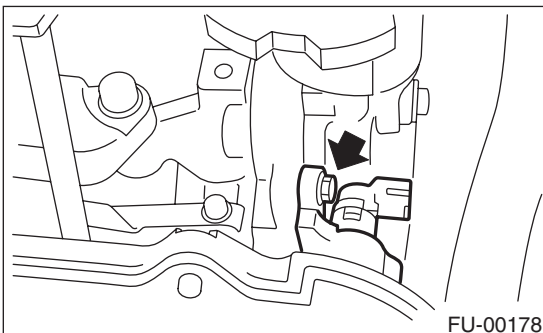
2) Disconnect connector from camshaft position sensor.



3) Remove bolt which installs camshaft position sensor to camshaft position sensor support.

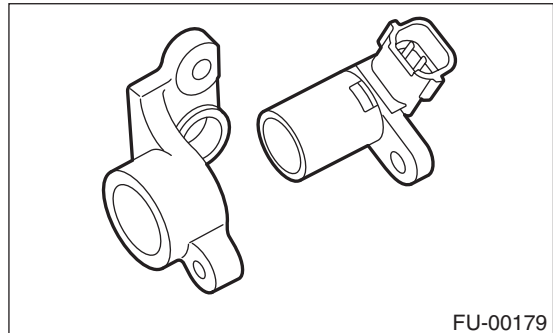


4) Remove bolt which installs camshaft position sensor support to camshaft cap LH.



5) Remove camshaft position sensor and camshaft position sensor support as a unit.

6) Remove camshaft position sensor itself.



B: INSTALLATION

Install in the reverse order of removal.

Tightening torque:

- **Camshaft position sensor support;**
6.4 N·m (0.65 kgf·m, 4.7 ft·lb)
- **Camshaft position sensor;**
6.4 N·m (0.65 kgf·m, 4.7 ft·lb)