

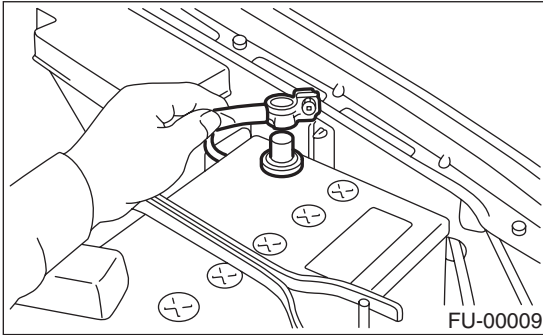
# KNOCK SENSOR

FUEL INJECTION (FUEL SYSTEMS)

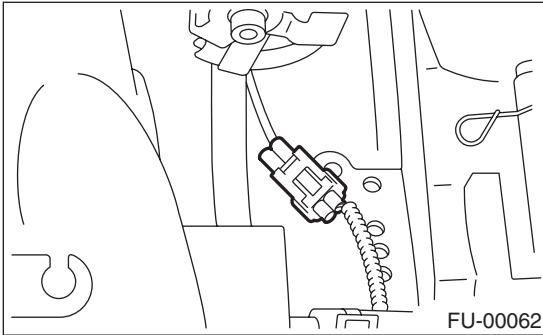
## 7. Knock Sensor

### A: REMOVAL

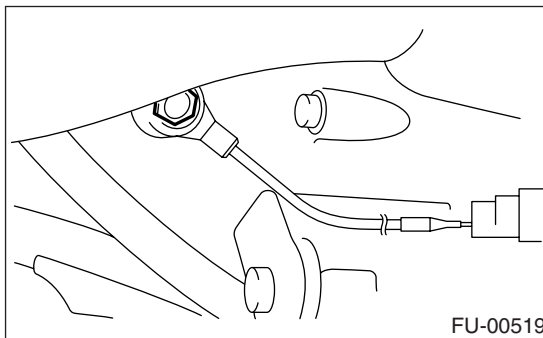
- 1) Disconnect ground cable from battery.



- 2) Remove air cleaner case.  
<Ref. to IN(H4SO)-6, REMOVAL, Air Cleaner Case.>
- 3) Disconnect knock sensor connector.



- 4) Remove knock sensor from cylinder block.



### B: INSTALLATION

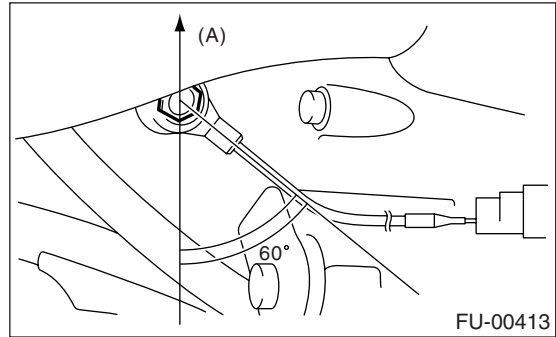
- 1) Install knock sensor to cylinder block.

#### Tightening torque:

**24 N·m (2.4 kgf-m, 17.4 ft-lb)**

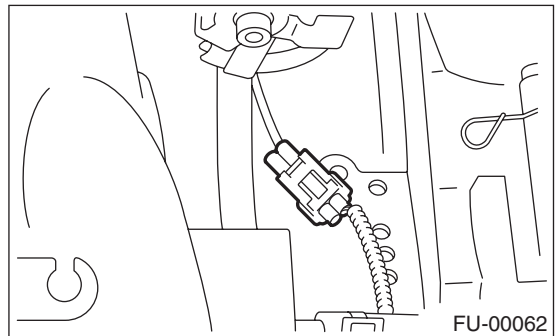
#### NOTE:

The extraction area of the knock sensor cord must be positioned at a 60° angle relative to the engine rear.



(A) Front side

- 2) Connect knock sensor connector.



- 3) Install knock sensor harness connector to connector bracket.
- 4) Install air cleaner case.  
<Ref. to IN(H4SO)-6, INSTALLATION, Air Cleaner Case.>
- 5) Connect battery ground cable.

