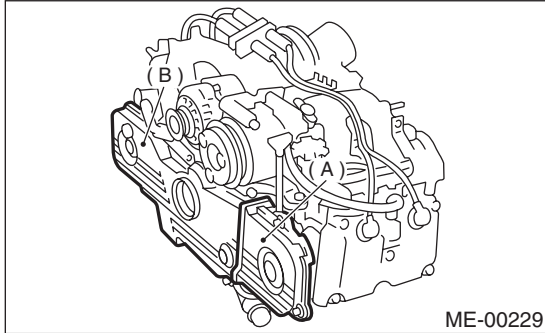


## 14. Timing Belt Cover

### A: REMOVAL

- 1) Remove V-belt. <Ref. to ME(H4SO)-40, REMOVAL, V-belt.>
- 2) Remove crankshaft pulley. <Ref. to ME(H4SO)-42, REMOVAL, Crankshaft Pulley.>
- 3) Remove belt cover (LH).
- 4) Remove front belt cover.



- (A) Belt cover (LH)  
 (B) Front belt cover

### B: INSTALLATION

- 1) Install front belt cover.

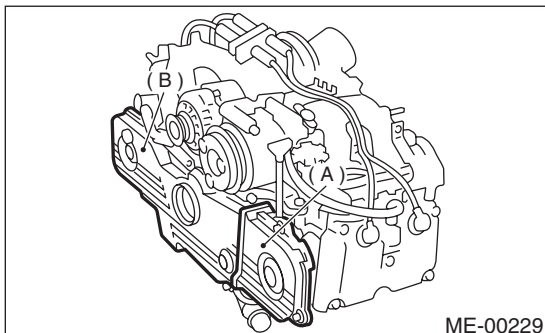
**Tightening torque:**

**5 N·m (0.5 kgf-m, 3.6 ft-lb)**

- 2) Install belt cover (LH).

**Tightening torque:**

**5 N·m (0.5 kgf-m, 3.6 ft-lb)**



- (A) Belt cover (LH)  
 (B) Front belt cover

- 3) Install crankshaft pulley. <Ref. to ME(H4SO)-42, INSTALLATION, Crankshaft Pulley.>
- 4) Install V-belt. <Ref. to ME(H4SO)-40, INSTALLATION, V-belt.>

### C: INSPECTION

Make sure the cover is not damaged.