

TIMING BELT

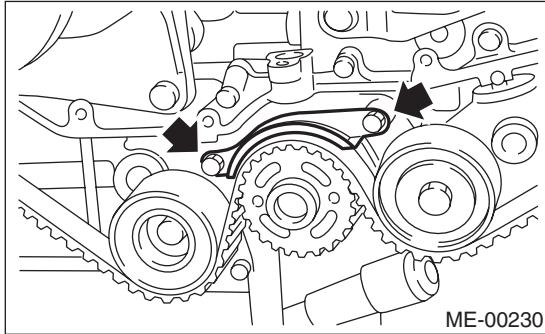
MECHANICAL

15. Timing Belt

A: REMOVAL

1. TIMING BELT

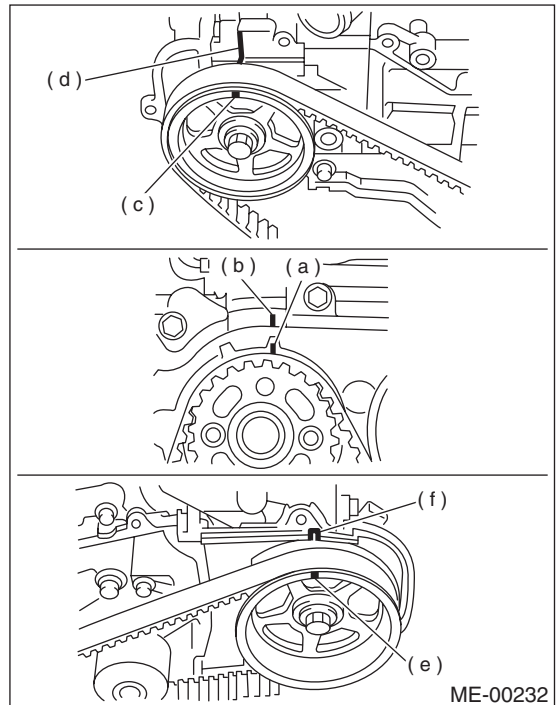
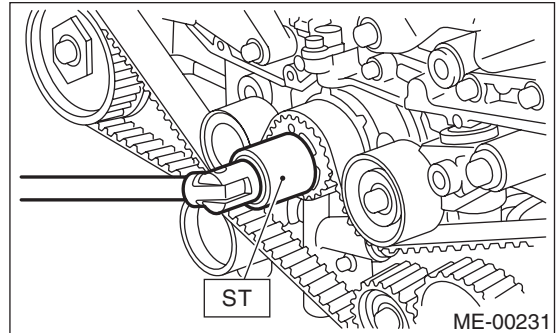
- 1) Remove V-belt. <Ref. to ME(H4SO)-40, REMOVAL, V-belt.>
- 2) Remove crankshaft pulley. <Ref. to ME(H4SO)-42, REMOVAL, Crankshaft Pulley.>
- 3) Remove timing belt cover. <Ref. to ME(H4SO)-43, REMOVAL, Timing Belt Cover.>
- 4) Remove timing belt guide. (MT vehicle only)



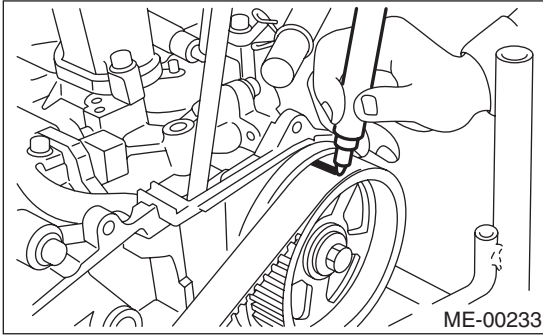
5) If alignment mark (a) and/or arrow mark (which indicates rotation direction) on timing belt fade away, put new marks before removing timing belt as shown in procedures below.

- (1) Turn crankshaft using ST. Align mark (a) of sprocket to cylinder block notch (b) and ensure that right side cam sprocket mark (c), cam cap and cylinder head matching surface (d) and/or left side cam sprocket mark (e) and belt cover notch (f) are properly adjusted.

ST 499987500 CRANKSHAFT SOCKET



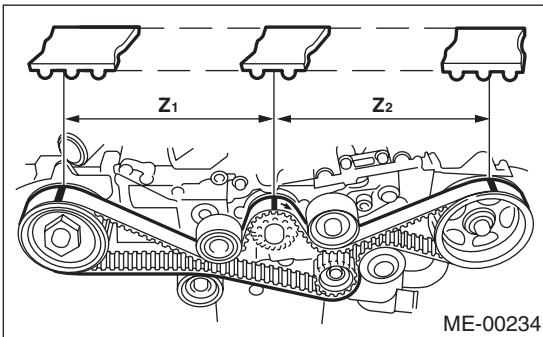
(2) Using white paint, put alignment and/or arrow marks on timing belts with reference to the crank sprocket and cam sprockets.



Specified data:

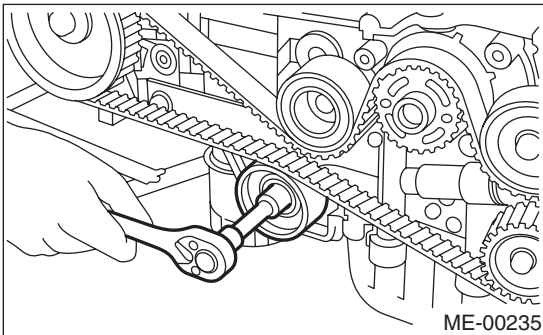
Z_1 : 46.8 tooth length

Z_2 : 43.7 tooth

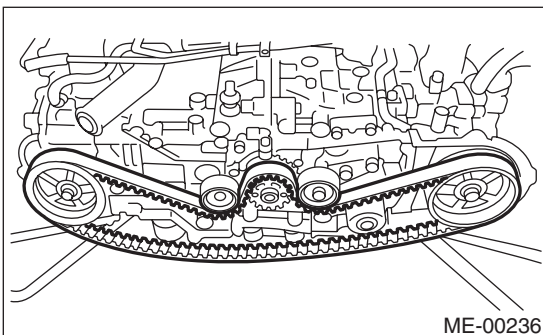


6) Remove belt idler (No. 2).

7) Remove belt idler No. 2.

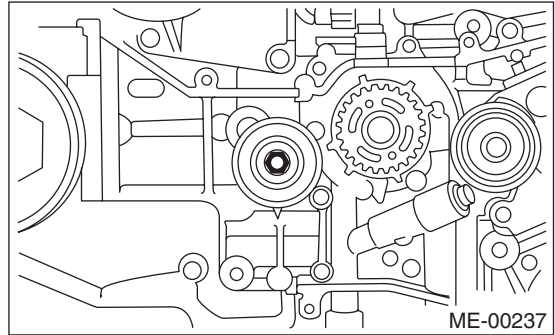


8) Remove timing belt.

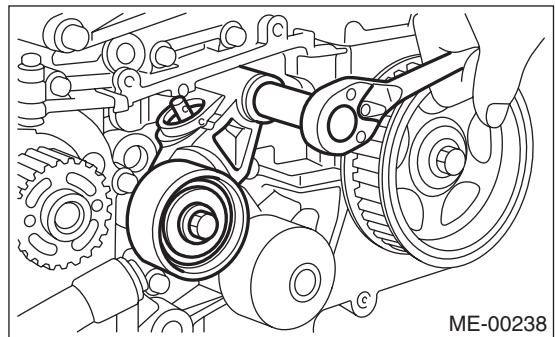


2. BELT IDLER AND AUTOMATIC BELT TENSION ADJUSTER ASSEMBLY

1) Remove belt idler (No. 1).



2) Remove automatic belt tension adjuster assembly.



B: INSTALLATION

1. AUTOMATIC BELT TENSION ADJUSTER ASSEMBLY AND BELT IDLER

1) Preparation for installation of automatic belt tension adjuster assembly;

CAUTION:

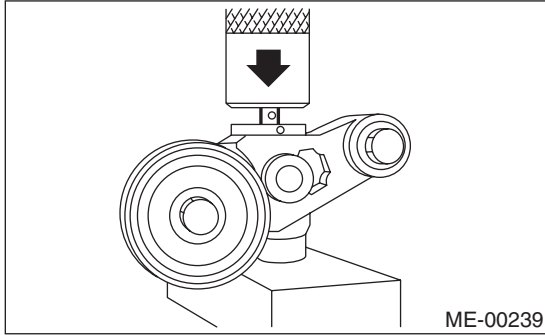
- Always use a vertical type pressing tool to move the adjuster rod down.
- Do not use a lateral type vise.
- Push adjuster rod vertically.
- Be sure to slowly move the adjuster rod down applying a pressure of 294 N (30 kgf, 66 lb).
- Press-in the push adjuster rod gradually taking more than three minutes.
- Do not allow press pressure to exceed 9,807 N (1,000 kgf, 2,205 lb).
- Press the adjuster rod as far as the end surface of the cylinder. Do not press the adjuster rod into the cylinder. Doing so may damage the cylinder.
- Do not release press pressure until stopper pin is completely inserted.

(1) Attach the automatic belt tension adjuster assembly to the vertical pressing tool.

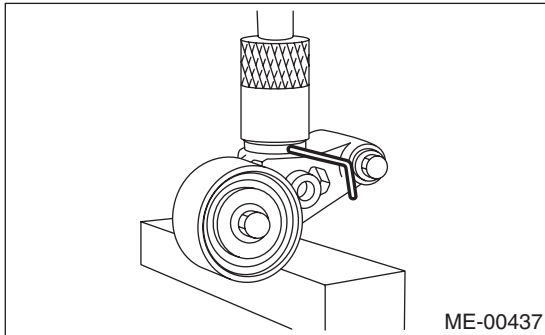
TIMING BELT

MECHANICAL

(2) Slowly move the adjuster rod down with a pressure of 294 N (30 kgf, 66 lb) or more until the adjuster rod is aligned with the stopper pin hole in the cylinder.



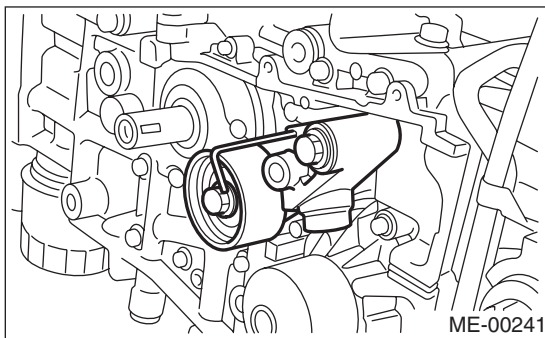
(3) With a 2 mm (0.08 in) dia. stopper pin or a 2 mm (0.08 in) (nominal) dia. hex bar wrench inserted into the stopper pin hole in the cylinder, secure the adjuster rod.



2) Install automatic belt tension adjuster assembly.

Tightening torque:

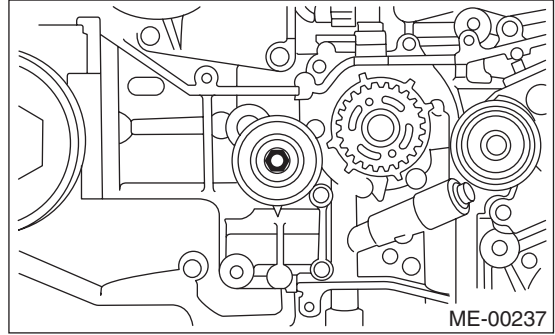
39 N·m (4.0 kgf·m, 28.9 ft·lb)



3) Install belt idler (No. 1).

Tightening torque:

39 N·m (4.0 kgf·m, 28.9 ft·lb)



2. TIMING BELT

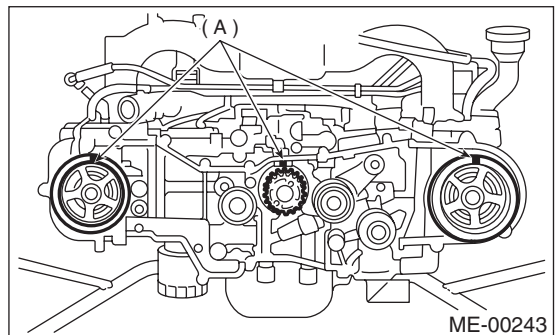
1) Preparation for installation of automatic belt tension adjuster assembly. <Ref. to ME(H4SO)-45, AUTOMATIC BELT TENSION ADJUSTER ASSEMBLY AND BELT IDLER, INSTALLATION, Timing Belt.>

2) Installation of timing belt

(1) Turn camshaft sprocket No. 2 using ST1, and turn camshaft sprocket No. 1 using ST2 so that their alignment marks (A) come to top positions.

ST1 18231AA010 CAMSHAFT SPROCKET WRENCH

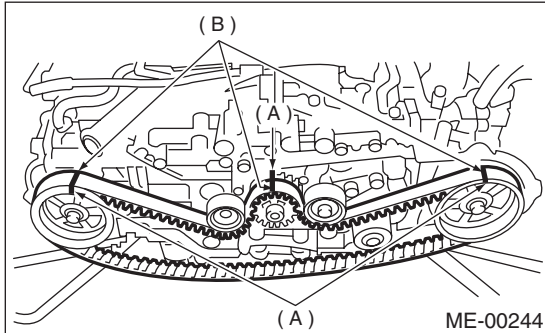
NOTE:
CAMSHAFT SPROCKET WRENCH (499207100) is also can be used.



(2) While aligning alignment mark (B) on timing belt with marks on sprockets (A), position timing belt properly.

NOTE:

Ensure belt's rotating direction is correct.



3) Install belt idler No. 2.

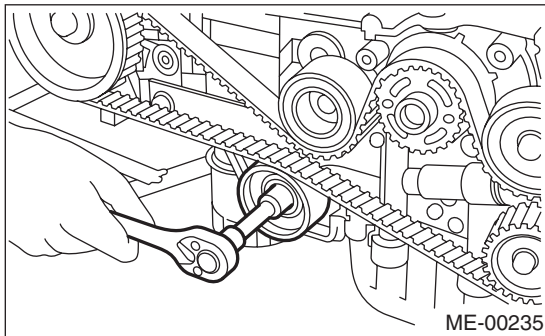
Tightening torque:

39 N·m (4.0 kgf·m, 28.9 ft·lb)

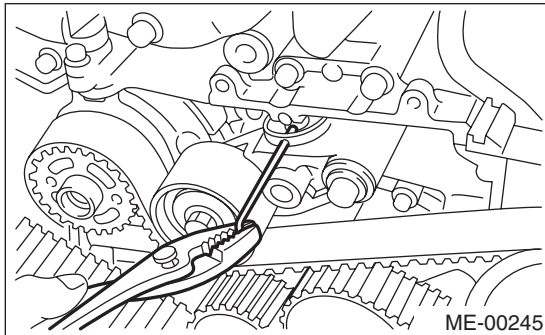
4) Install belt idler (No. 2).

Tightening torque:

39 N·m (4.0 kgf·m, 28.9 ft·lb)

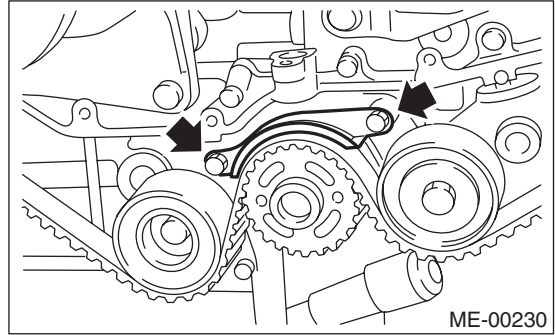


5) After ensuring that the marks on timing belt and camshaft sprockets are aligned, remove stopper pin from belt tensioner adjuster.



6) Install timing belt guide. (MT vehicles only)

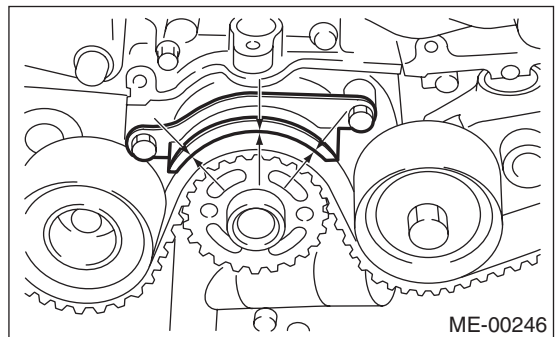
(1) Temporarily tighten bolts.



(2) Check and adjust clearance between timing belt and timing belt guide by using thickness gauge.

Clearance:

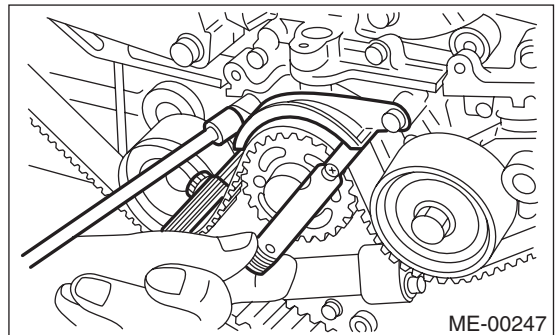
1.0±0.5 mm (0.039±0.020 in)



(3) Tighten bolts.

Tightening torque:

9.75 N·m (1.0 kgf·m, 7.2 ft·lb)



7) Install timing belt cover. <Ref. to ME(H4SO)-43, INSTALLATION, Timing Belt Cover.>

8) Install crankshaft pulley. <Ref. to ME(H4SO)-42, INSTALLATION, Crankshaft Pulley.>

9) Install V-belt. <Ref. to ME(H4SO)-40, INSTALLATION, V-belt.>

TIMING BELT

MECHANICAL

C: INSPECTION

1. TIMING BELT

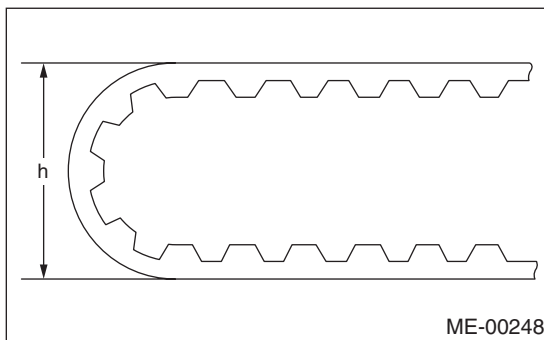
- 1) Check timing belt teeth for breaks, cracks, and wear. If any fault is found, replace belt.
- 2) Check the condition of back side of belt; if any crack is found, replace belt.

CAUTION:

- Be careful not to let oil, grease or coolant contact the belt. Remove quickly and thoroughly if this happens.
- Do not bend the belt sharply.

Bending radius: h

60 mm (2.36 in) or more



2. AUTOMATIC BELT TENSION ADJUST-ER

- 1) Visually check oil seals for leaks, and rod ends for abnormal wear or scratches. If necessary, replace faulty parts.
- 2) Check that the adjuster rod does not move when a pressure of 294 N (30 kgf, 66 lb) is applied to it. This is to check adjuster rod stiffness.
- 3) If the adjuster rod is not stiff and moves freely when applying 294 N (30 kgf, 66 lb), check it using the following procedures:
 - (1) Slowly press the adjuster rod down to the end surface of the cylinder. Repeat this motion 2 or 3 times.
 - (2) With the adjuster rod moved all the way up, apply a pressure of 294 N (30 kgf, 66 lb) to it. Check adjuster rod stiffness.

- (3) If the adjuster rod is not stiff and moves down, replace the automatic belt tension adjuster assembly with a new one.

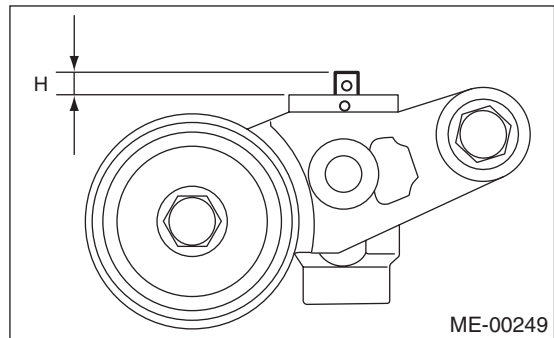
CAUTION:

- Always use a vertical type pressing tool to push the adjuster rod downward.
- Do not use a lateral type vise.
- Push adjuster rod vertically.
- Press-in the push adjuster rod gradually taking more than three minutes.
- Do not allow press pressure to exceed 9,807 N (1,000 kgf, 2,205 lb).
- Press the adjuster rod as far as the end surface of the cylinder. Do not press the adjuster rod into the cylinder. Doing so may damage the cylinder.

- 4) Measure the extension of rod beyond the body. If it is not within specifications, replace with a new one.

Rod extension: H

5.7±0.5 mm (0.224±0.020 in)



3. BELT TENSION PULLEY

- 1) Check mating surfaces of timing belt and contact point of adjuster rod for abnormal wear or scratches. Replace automatic belt tension adjuster assembly if faulty.
- 2) Check tension pulley for smooth rotation. Replace if noise or excessive play is noted.
- 3) Check tension pulley for grease leakage.

4. BELT IDLER

- 1) Check belt idler for smooth rotation. Replace if noise or excessive play is noted.
- 2) Check belt outer contacting surfaces of idler pulley for abnormal wear and scratches.
- 3) Check belt idler for grease leakage.