

ACCELERATOR CONTROL CABLE

SPEED CONTROL SYSTEMS

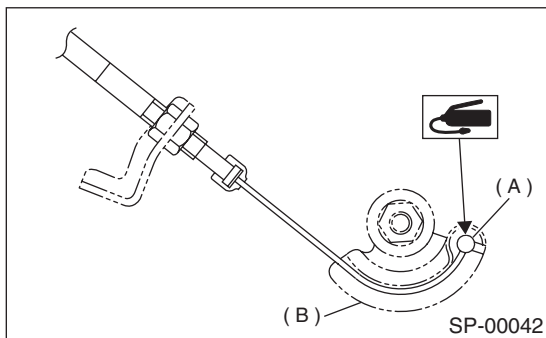
3. Accelerator Control Cable

A: REMOVAL

- 1) Remove accelerator pedal. <Ref. to SP(H4SO)-3, REMOVAL, Accelerator Pedal.>
- 2) Separate accelerator cable and accelerator pedal.

B: INSTALLATION

- 1) Install in the reverse order of removal.
- 2) Apply grease to the point (accelerator cable end on engine side) shown in the figure below.
Part No. 004404002 (Slico lube G-30M)



- (A) Cable end
(B) Throttle cam

CAUTION:

- If cable clamp is damaged, replace it with a new one.
- Never fail to cover outer cable end with boot.
- Be careful not to kink accelerator cable.
- Do not apply grease except for special area.

- 3) Adjustment after pedal installation <Ref. to SP(H4SO)-4, INSTALLATION, Accelerator Pedal.>

C: INSPECTION

- 1) Make sure the inner cable is not twisted or frayed.
- 2) Make sure the outer cable is not cracked.