

# FUEL TANK SENSOR CONTROL VALVE

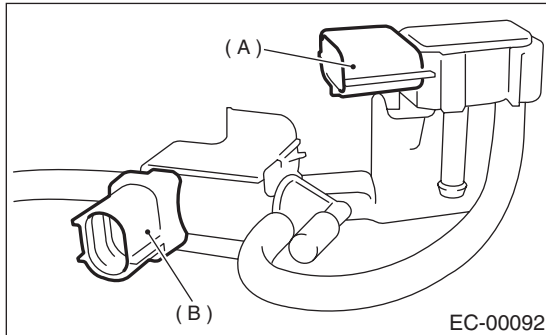
EMISSION CONTROL (AUX. EMISSION CONTROL DEVICES)

## 10. Fuel Tank Sensor Control Valve

### A: REMOVAL

1) Remove fuel tank pressure sensor. <Ref. to EC(H4DOTC)-10, REMOVAL, Fuel Tank Pressure Sensor.>

2) Remove fuel tank sensor control valve from bracket.



- (1) Fuel tank pressure sensor
- (2) Fuel tank sensor control valve

### B: INSTALLATION

Install in the reverse order of removal.

### C: INSPECTION

Make sure that hoses are not cracked or loose.