

# FUEL TEMPERATURE SENSOR

EMISSION CONTROL (AUX. EMISSION CONTROL DEVICES)

## 7. Fuel Temperature Sensor

### A: REMOVAL

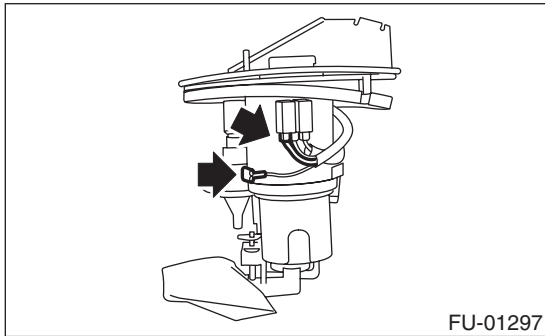
#### WARNING:

During work procedures, if fuel tank is more than 3/4 full, be careful because fuel may spill.

#### NOTE:

Fuel temperature sensor is built in fuel pump assembly.

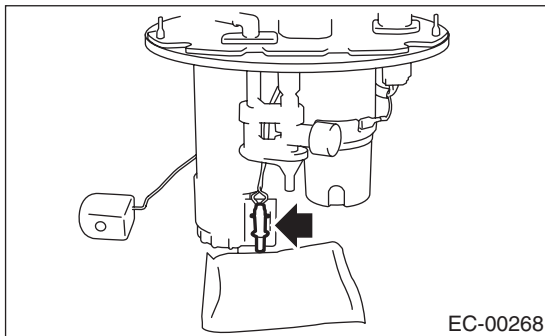
- 1) Remove fuel pump assembly. <Ref. to FU(H4DOTC)-67, REMOVAL, Fuel Pump.>
- 2) Disconnect connector from fuel pump bracket.



- 3) Remove fuel temperature sensor.

#### NOTE:

When replacing fuel temperature sensor, also replace fuel level sensor. <Ref. to FU(H4DOTC)-70, REMOVAL, Fuel Level Sensor.>



### B: Installation

- 1) Install in the reverse order of removal.

#### WARNING:

- Ground cable must be connected.
- Spark may occur and ignite if fuel is nearby.

