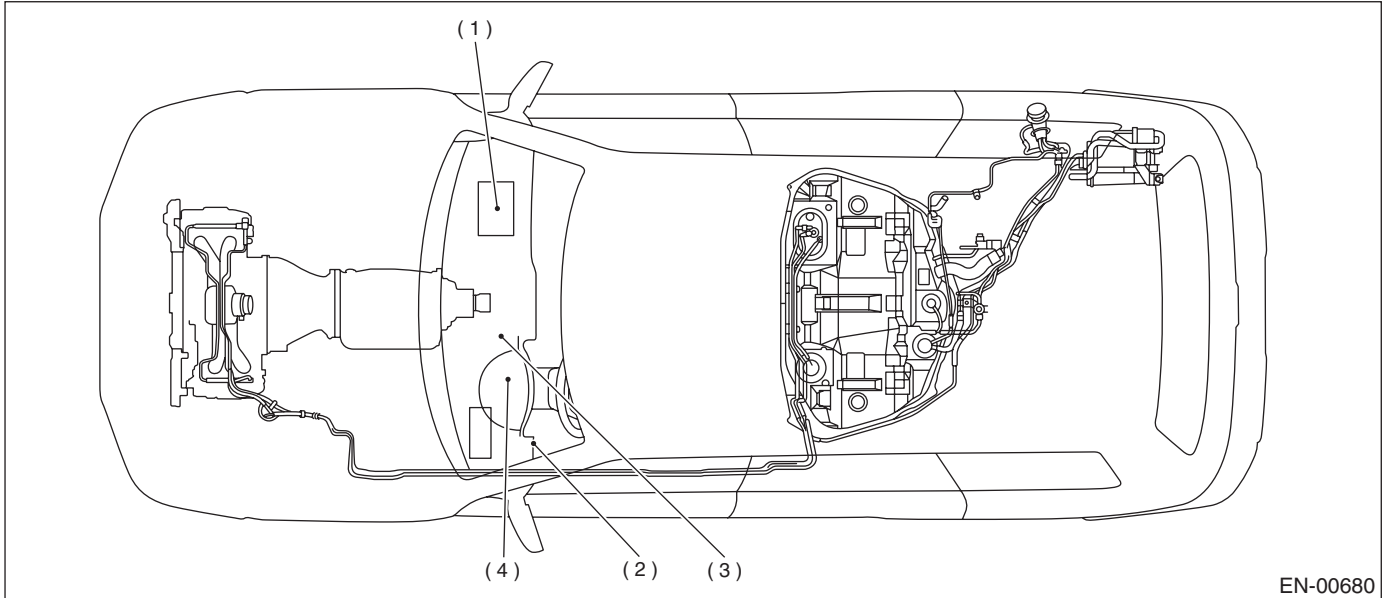


4. Electrical Components Location

A: LOCATION

1. ENGINE

- Module



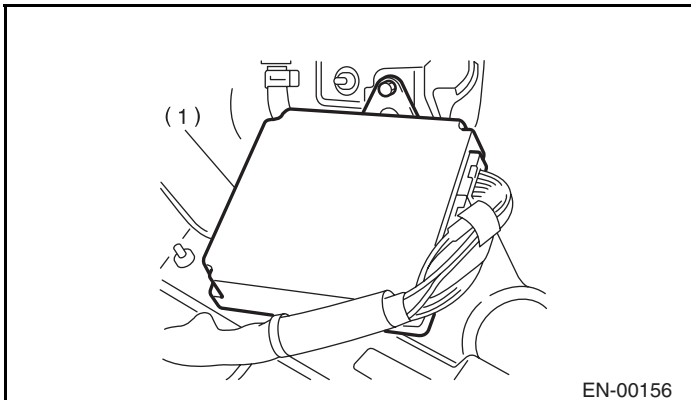
EN-00680

(1) Engine control module (ECM)

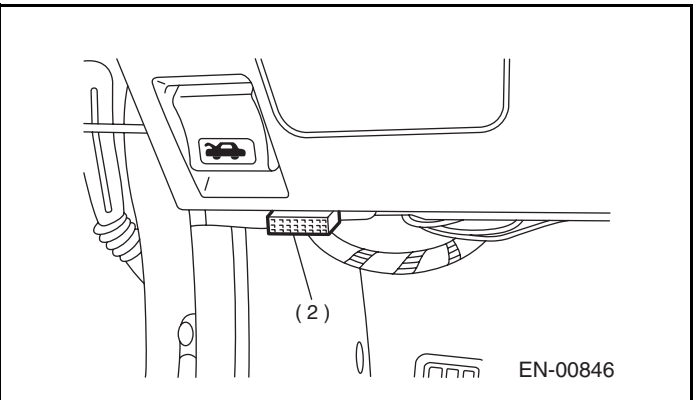
(3) Test mode connector

(4) Malfunction indicator light

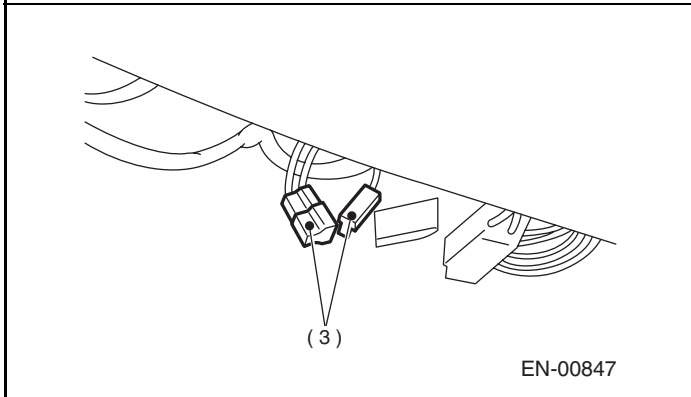
(2) Data link connector



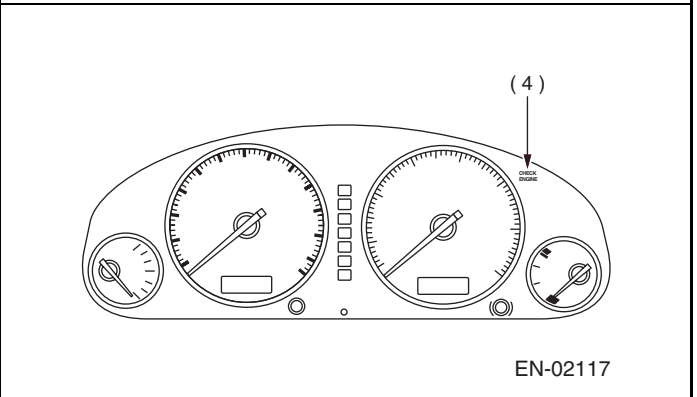
EN-00156



EN-00846



EN-00847

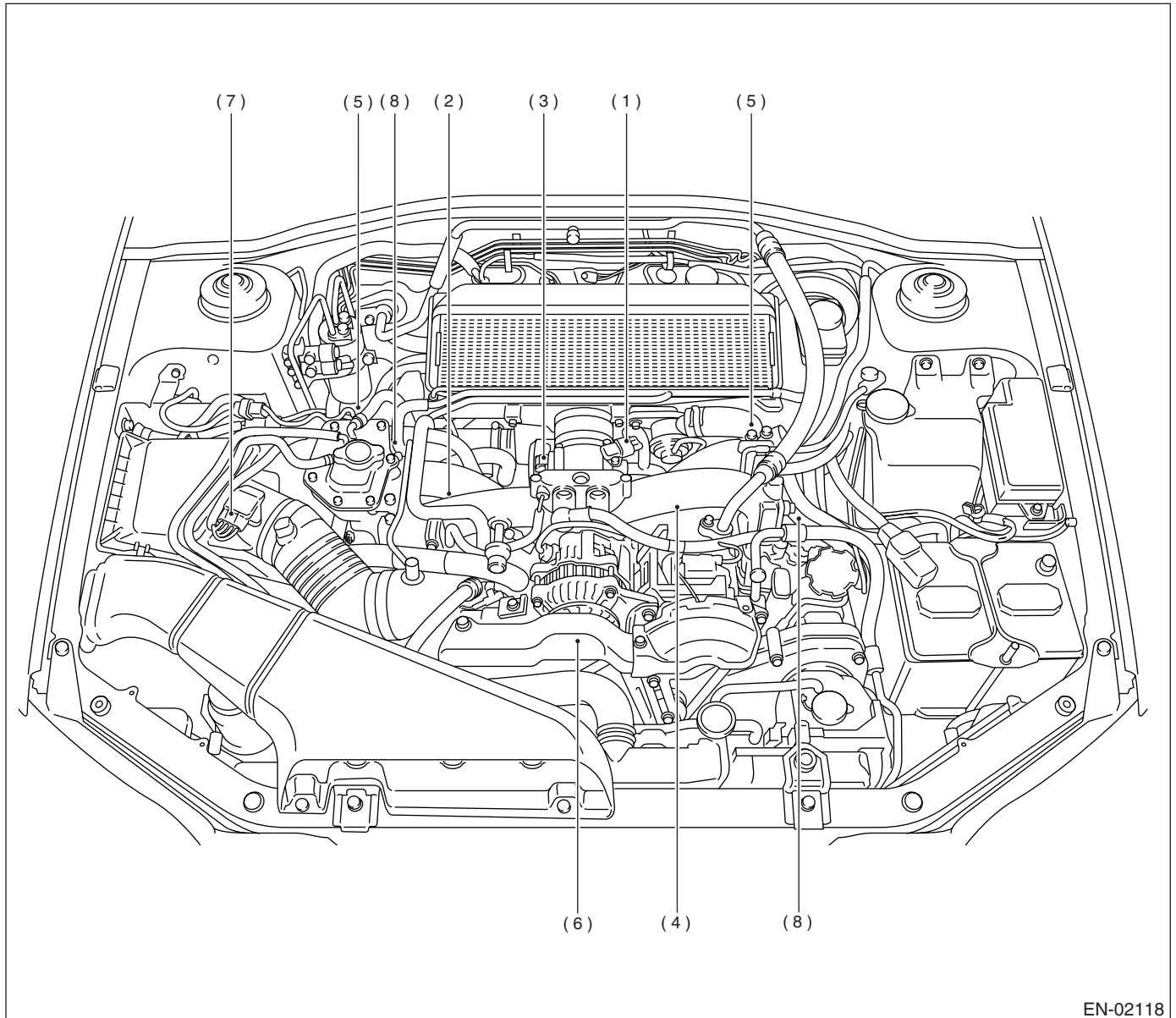


EN-02117

ELECTRICAL COMPONENTS LOCATION

ENGINE (DIAGNOSTICS)

• Sensor



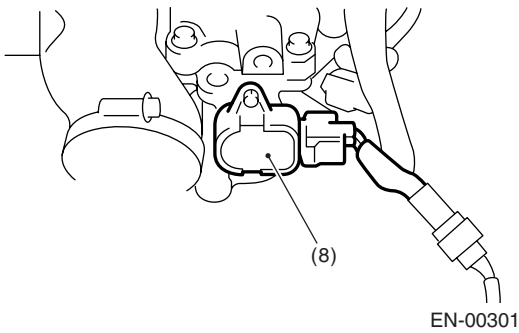
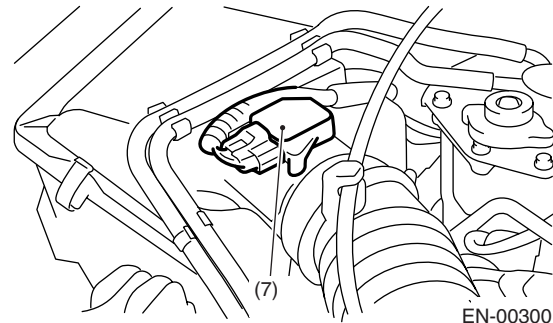
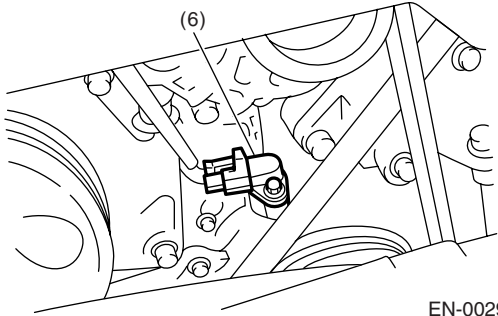
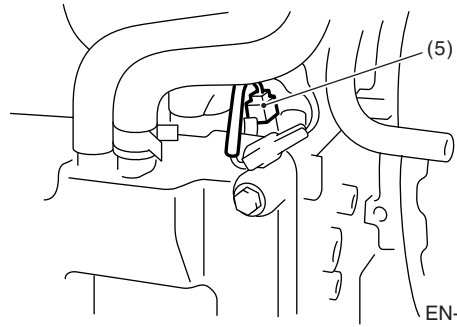
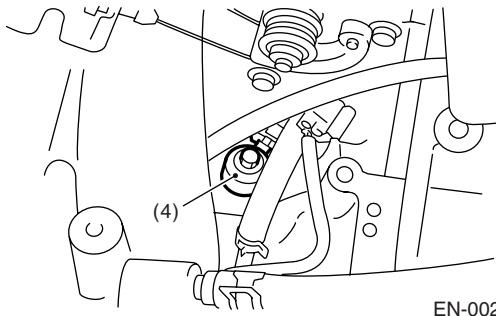
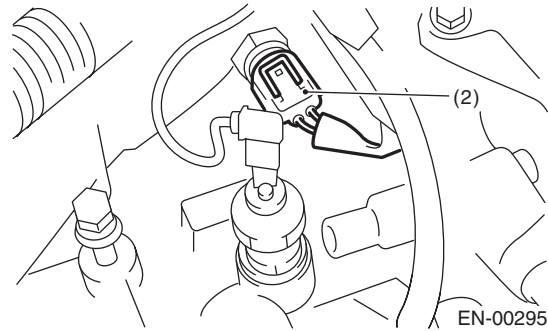
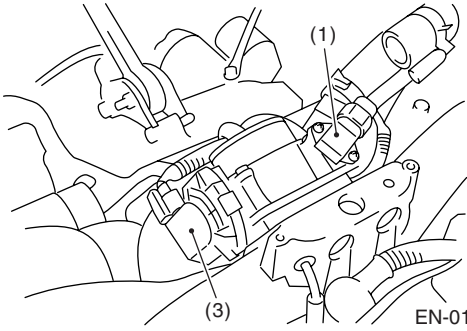
- (1) Manifold absolute pressure sensor
- (2) Engine coolant temperature sensor

- (3) Electric throttle
- (4) Knock sensor
- (5) Camshaft position sensor
- (6) Crankshaft position sensor

- (7) Mass air flow and intake air temperature sensor
- (8) Tumble generator valve position sensor

ELECTRICAL COMPONENTS LOCATION

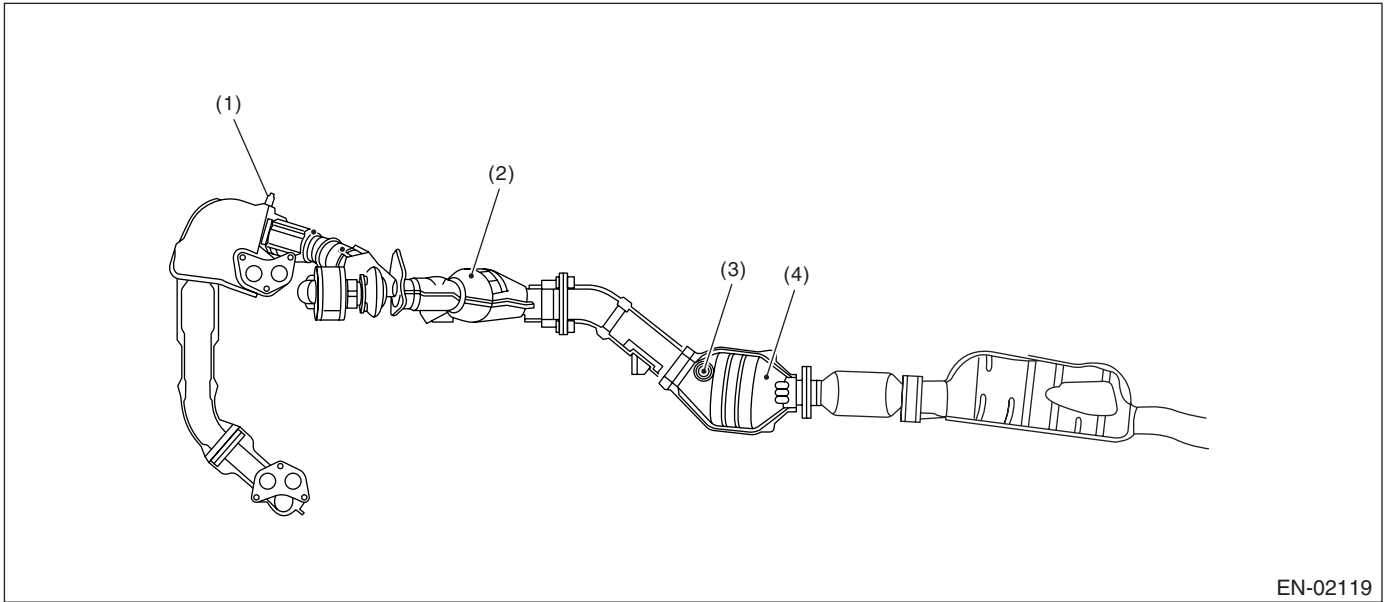
ENGINE (DIAGNOSTICS)



SUBARU.

ELECTRICAL COMPONENTS LOCATION

ENGINE (DIAGNOSTICS)

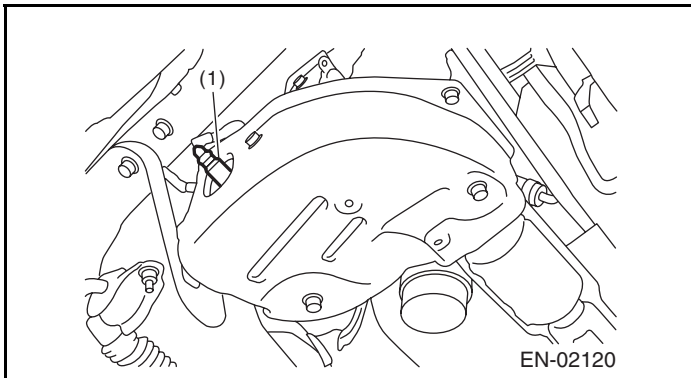


EN-02119

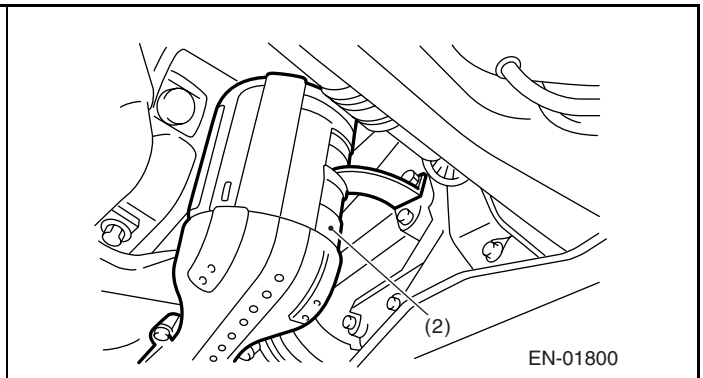
- (1) Front oxygen (A/F) sensor
- (2) Front catalytic converter

- (3) Rear oxygen sensor

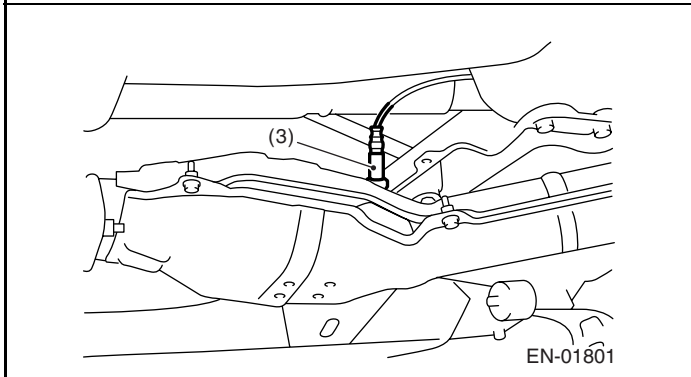
- (4) Rear catalytic converter



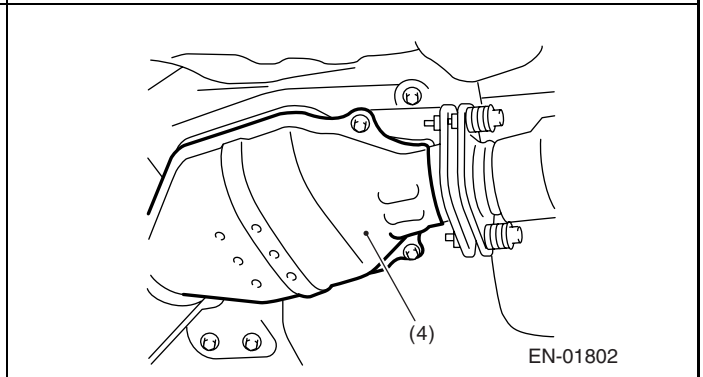
EN-02120



EN-01800



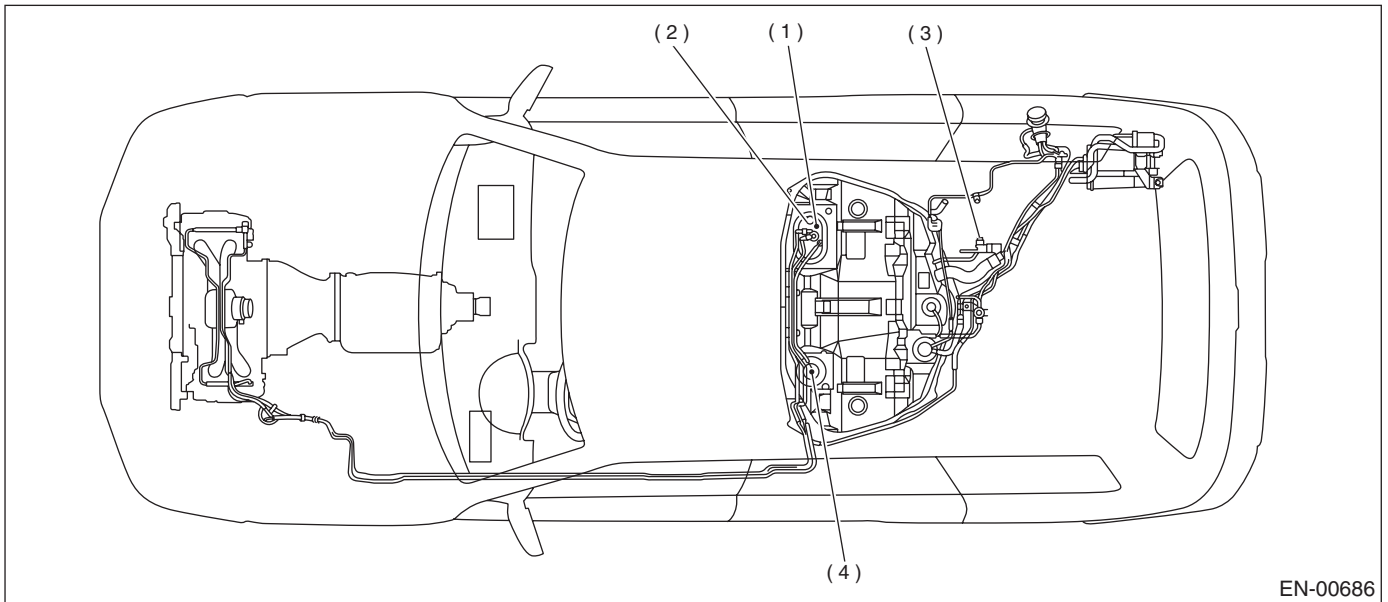
EN-01801



EN-01802

ELECTRICAL COMPONENTS LOCATION

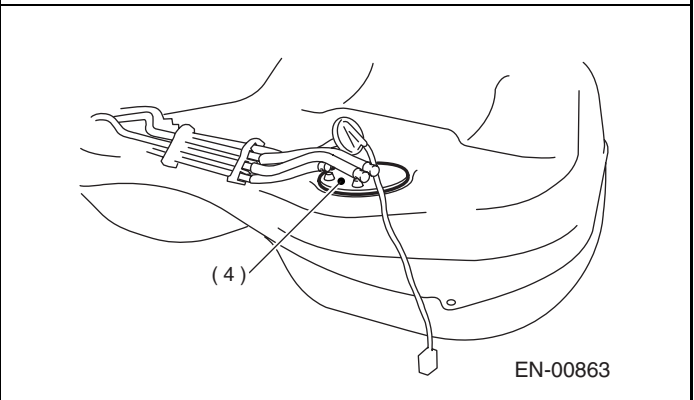
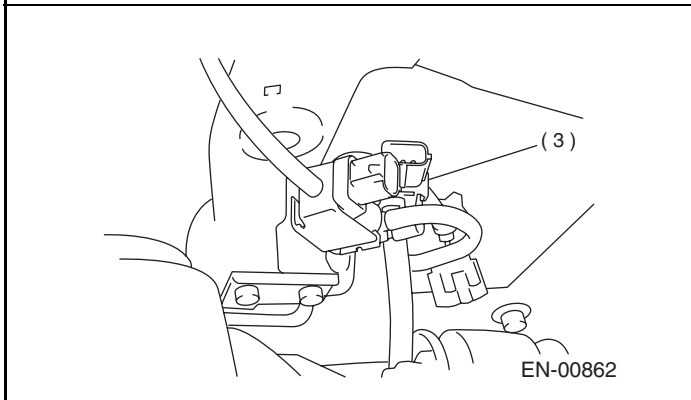
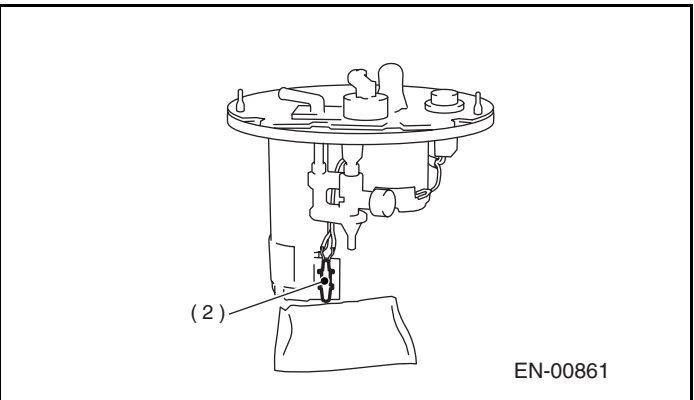
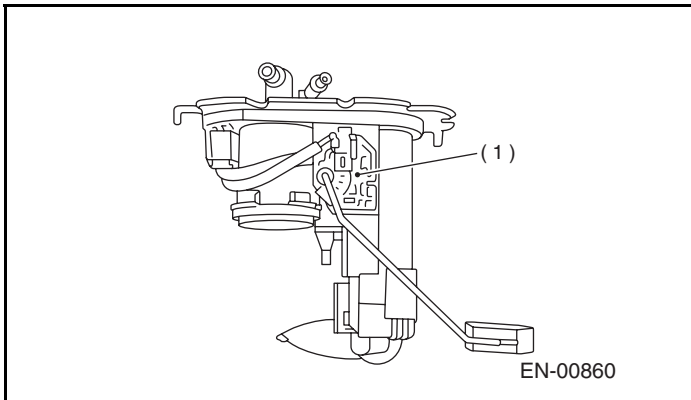
ENGINE (DIAGNOSTICS)



- (1) Fuel level sensor
- (2) Fuel temperature sensor

(3) Fuel tank pressure sensor

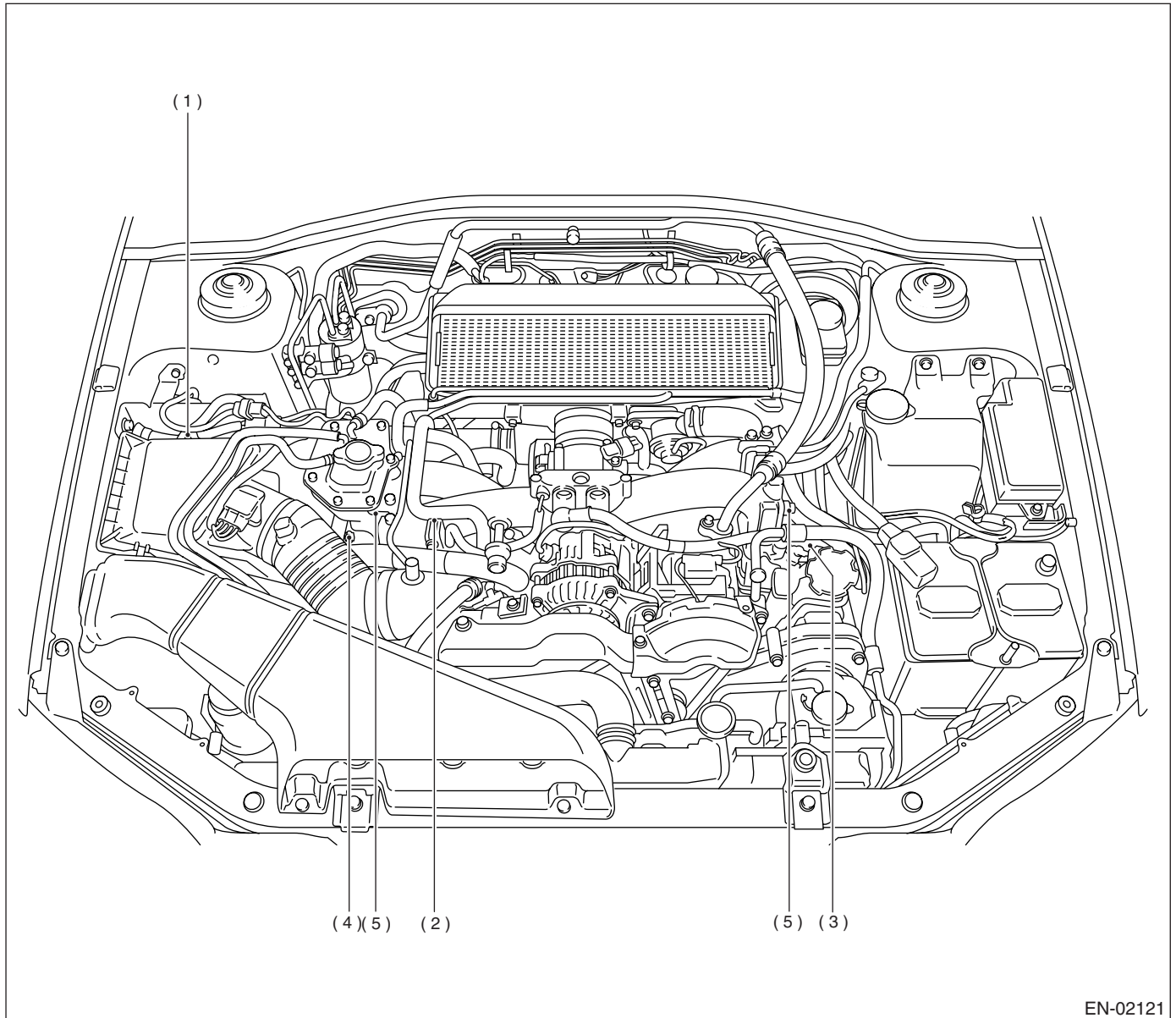
(4) Fuel sub level sensor



ELECTRICAL COMPONENTS LOCATION

ENGINE (DIAGNOSTICS)

• Solenoid Valve, Actuator, Emission Control System Parts and Ignition System Parts



(1) Wastegate control solenoid valve

(2) Purge control solenoid valve

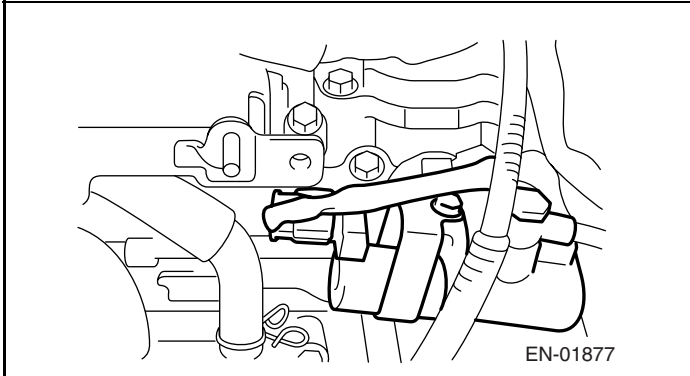
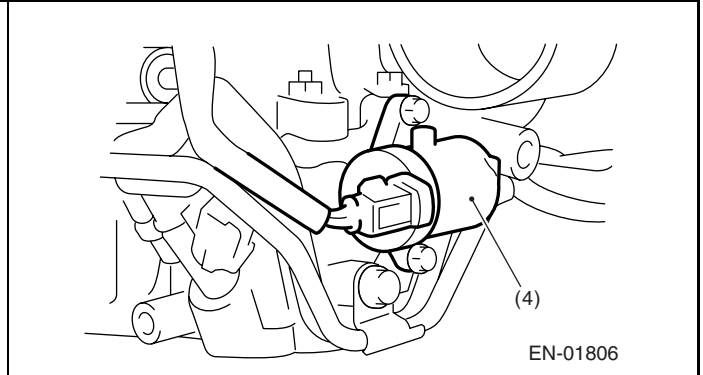
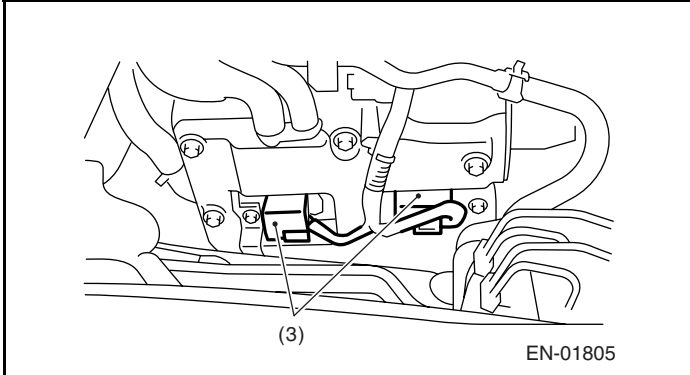
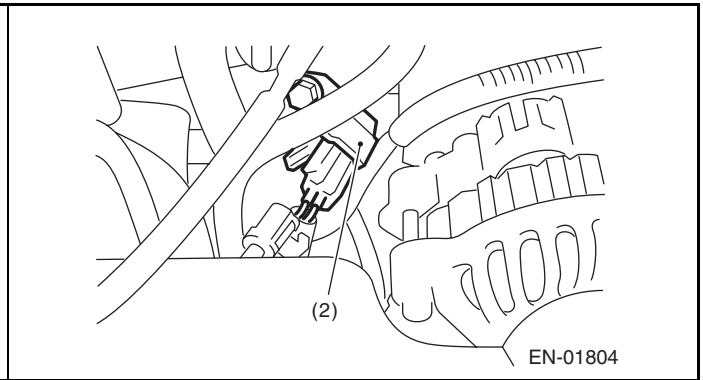
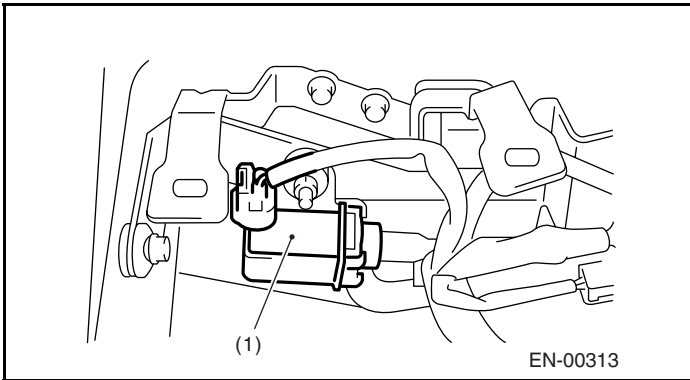
(3) Ignition coil

(4) Tumble generator valve actuator

(5) Oil flow control solenoid valve

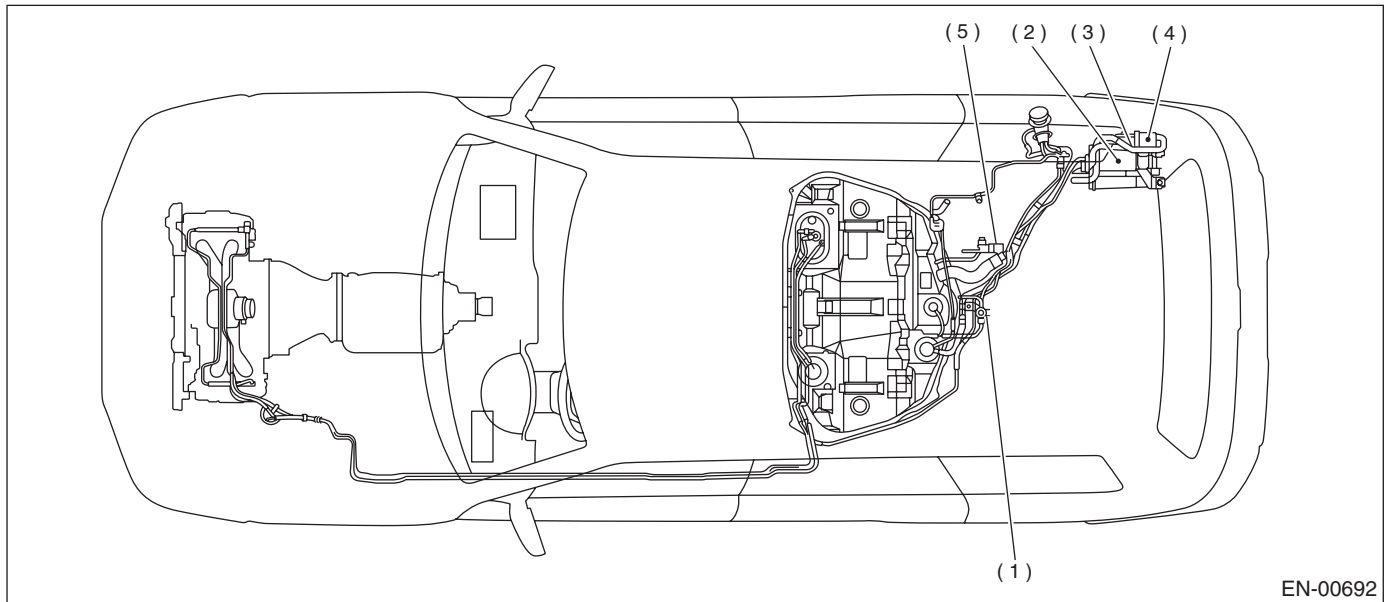
ELECTRICAL COMPONENTS LOCATION

ENGINE (DIAGNOSTICS)



ELECTRICAL COMPONENTS LOCATION

ENGINE (DIAGNOSTICS)

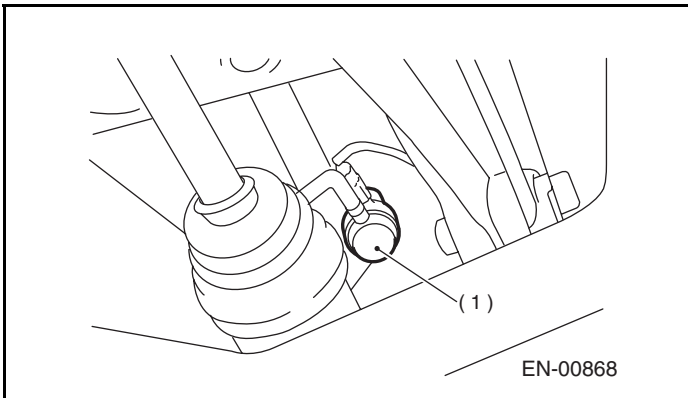


EN-00692

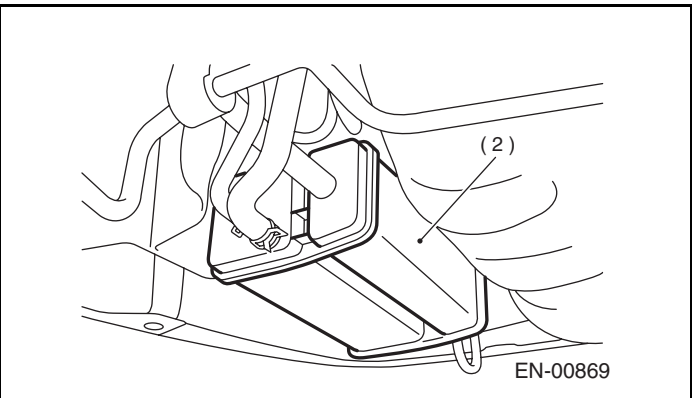
(1) Pressure control solenoid valve
(2) Canister

(3) Drain valve
(4) Drain filter

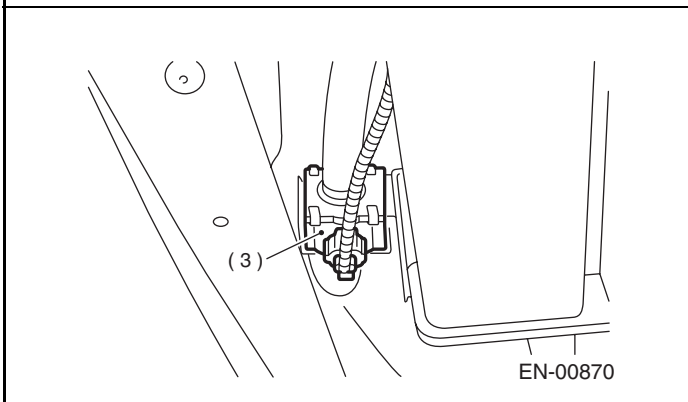
(5) Fuel tank sensor control valve



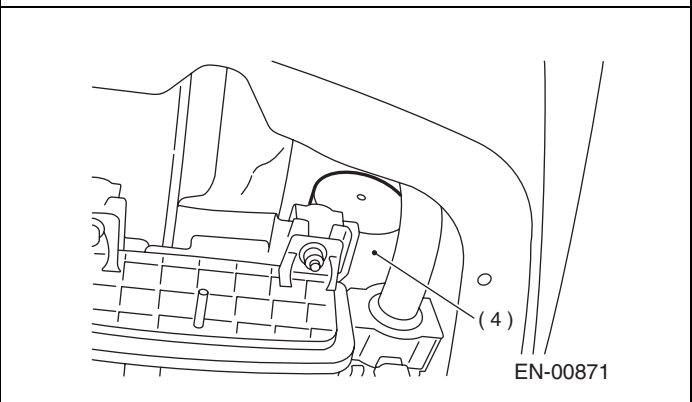
EN-00868



EN-00869



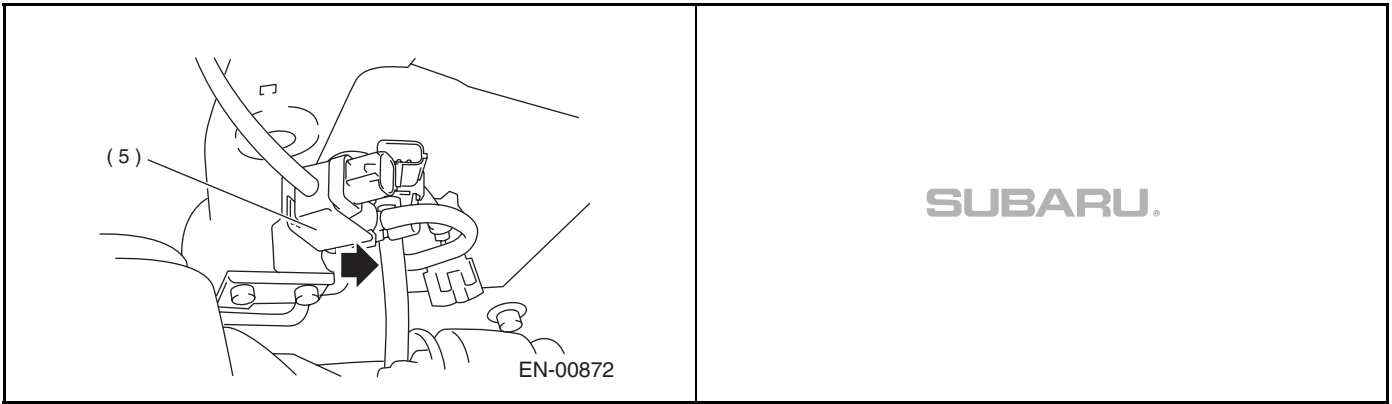
EN-00870



EN-00871

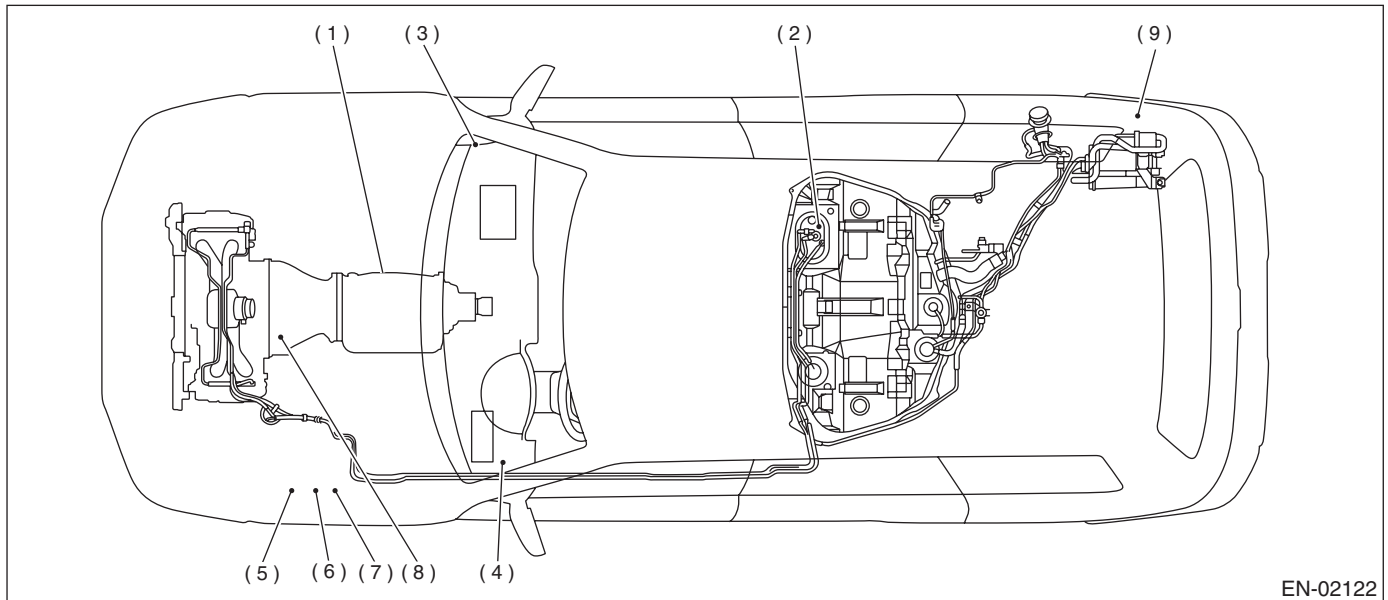
ELECTRICAL COMPONENTS LOCATION

ENGINE (DIAGNOSTICS)

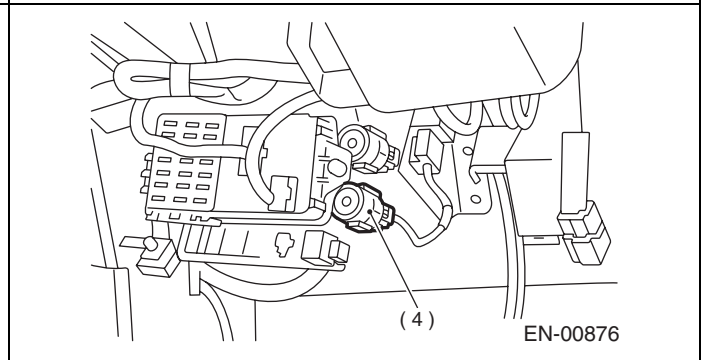
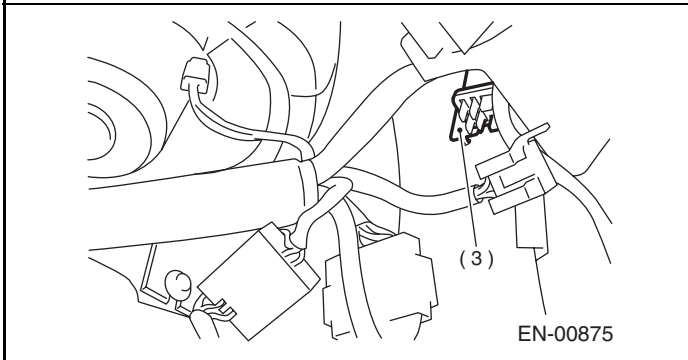
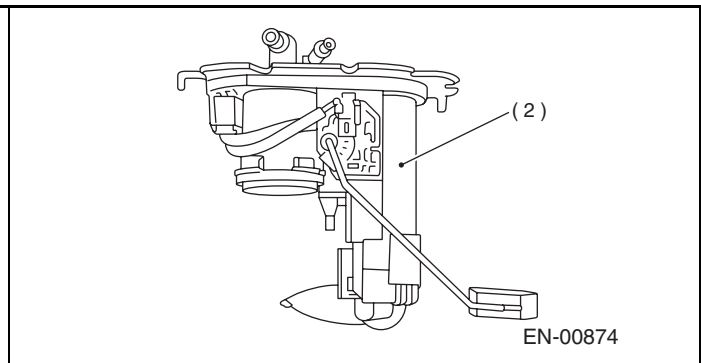
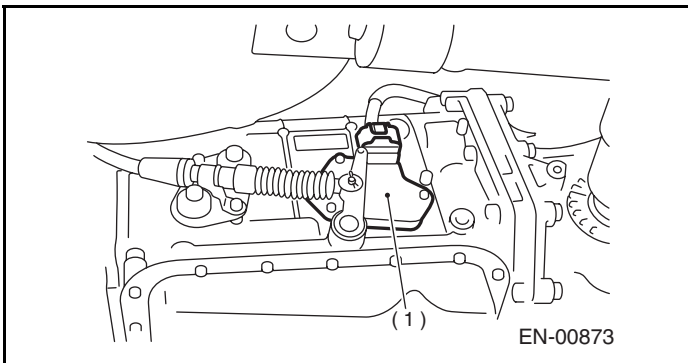


ELECTRICAL COMPONENTS LOCATION

ENGINE (DIAGNOSTICS)

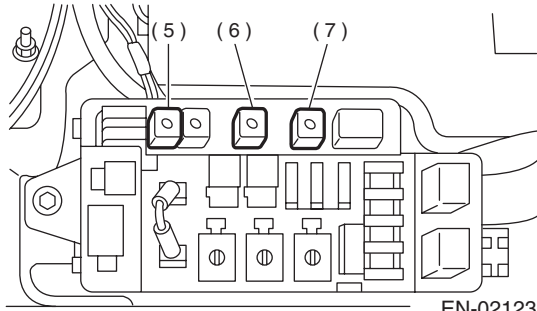


- | | | |
|----------------------|-----------------------------|-----------------------------|
| (1) Inhibitor switch | (4) Fuel pump relay | (7) Radiator fan mode relay |
| (2) Fuel pump | (5) Radiator main fan relay | (8) Starter |
| (3) Main relay | (6) Radiator sub fan relay | (9) Fuel pump control unit |

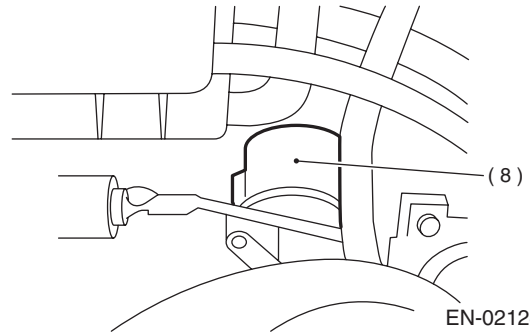


ELECTRICAL COMPONENTS LOCATION

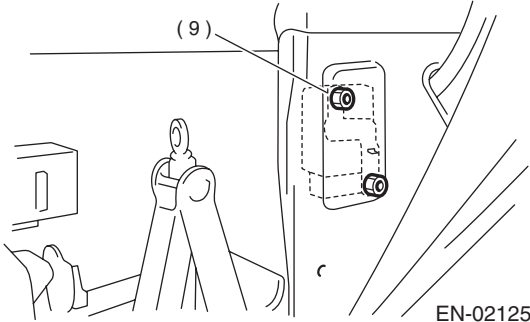
ENGINE (DIAGNOSTICS)



EN-02123



EN-02124



EN-02125

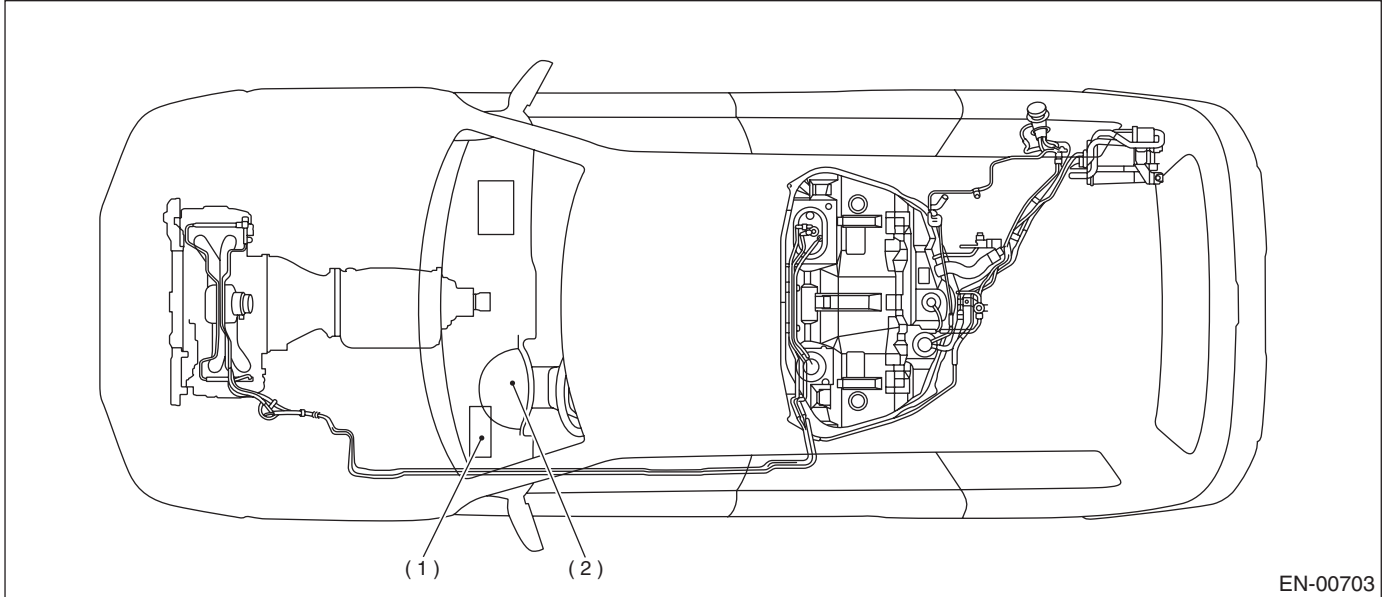
SUBARU.

ELECTRICAL COMPONENTS LOCATION

ENGINE (DIAGNOSTICS)

2. TRANSMISSION

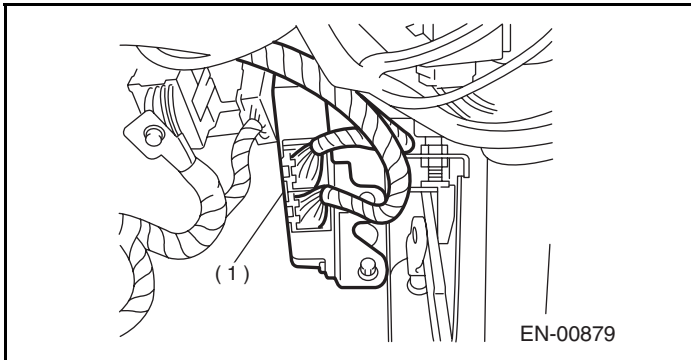
• MODULE



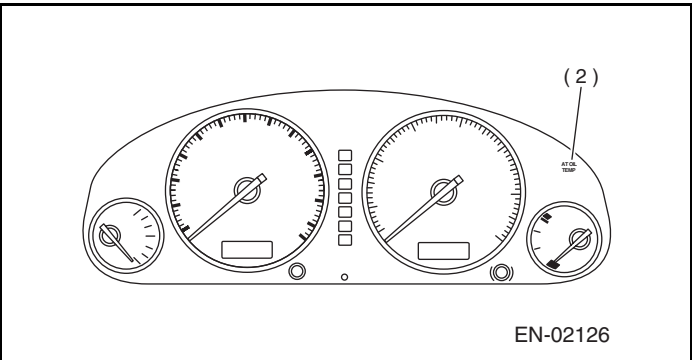
EN-00703

(1) Transmission Control Module (TCM) (for AT vehicles)

(2) AT diagnostic indicator light (for AT vehicles)



EN-00879

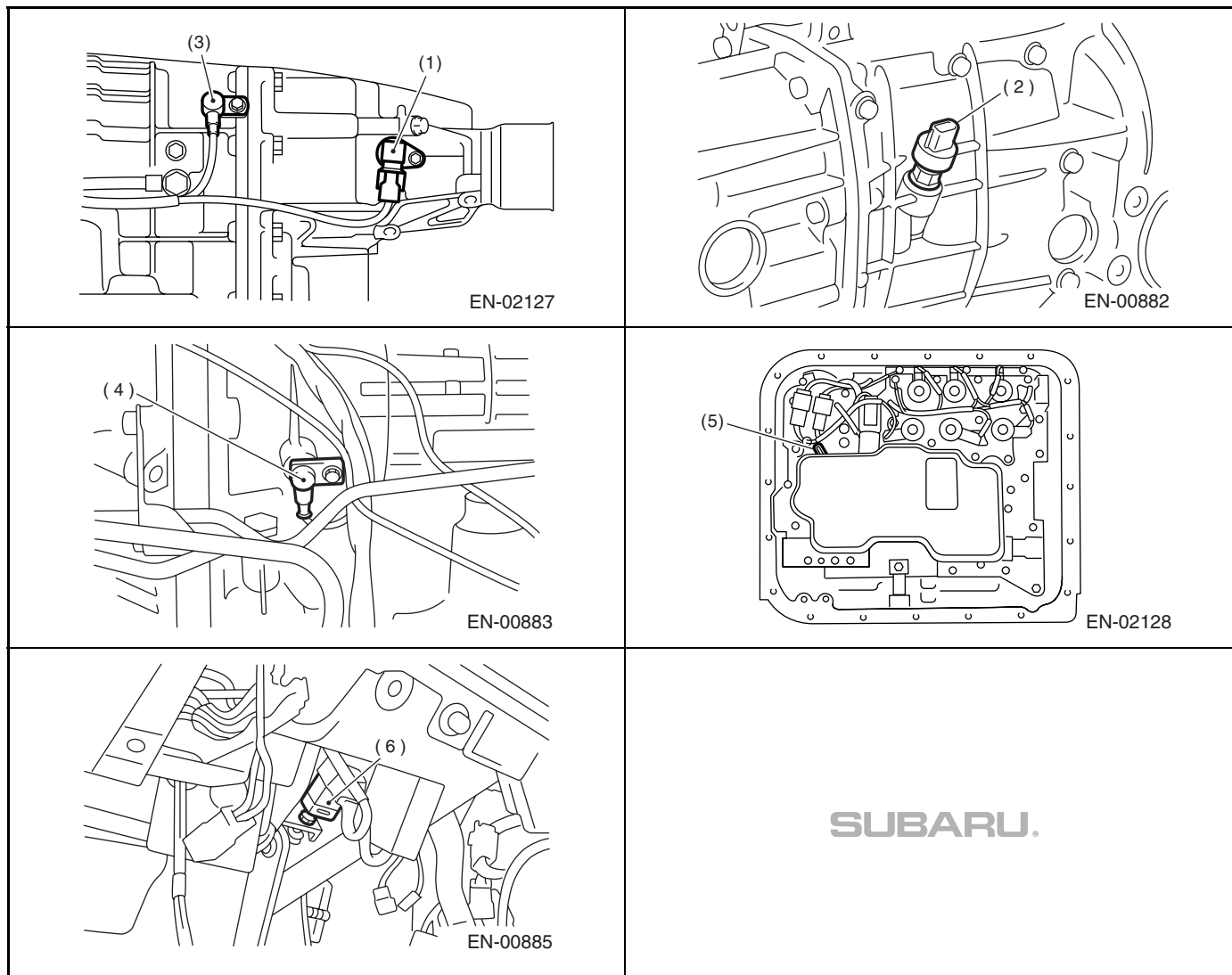


EN-02126

ELECTRICAL COMPONENTS LOCATION

ENGINE (DIAGNOSTICS)

• SENSOR

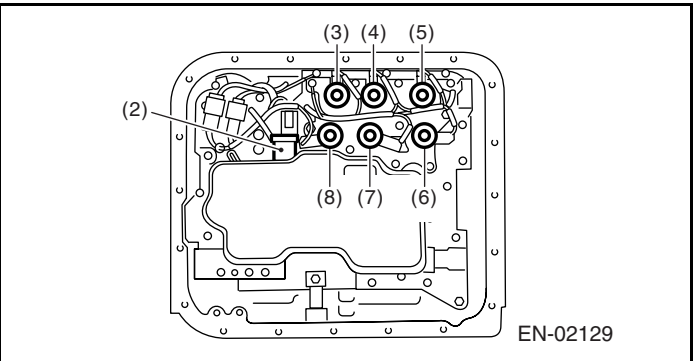
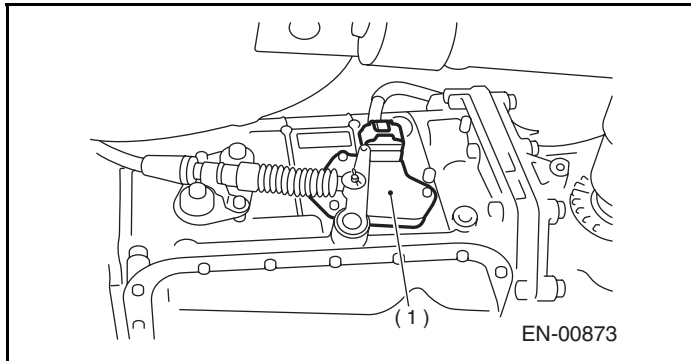


- (1) Rear vehicle speed sensor (for AT vehicles)
- (2) Front vehicle speed sensor (for MT vehicles)
- (3) Front vehicle speed sensor (for AT vehicles)
- (4) Torque converter turbine speed sensor
- (5) ATF temperature sensor (for AT vehicles)
- (6) Brake light switch

ELECTRICAL COMPONENTS LOCATION

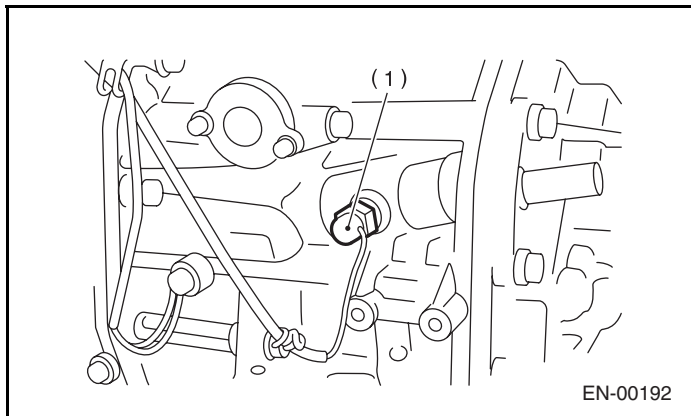
ENGINE (DIAGNOSTICS)

• SOLENOID VALVE AND SWITCH (AT MODEL)



- (1) Inhibitor switch
- (2) Line pressure linear solenoid
- (3) High clutch duty solenoid
- (4) 2-4 brake duty solenoid
- (5) Low clutch duty solenoid valve
- (6) Transfer duty solenoid
- (7) Low & reverse duty solenoid
- (8) Lock-up duty solenoid

• SOLENOID VALVE AND SWITCH (MT MODEL)



- (1) Neutral position switch