

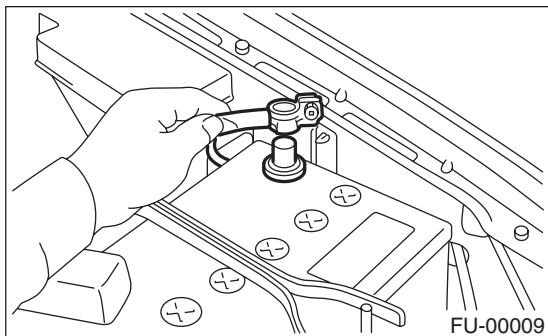
FRONT EXHAUST PIPE

EXHAUST

2. Front Exhaust Pipe

A: REMOVAL

1) Disconnect the ground cable from battery.

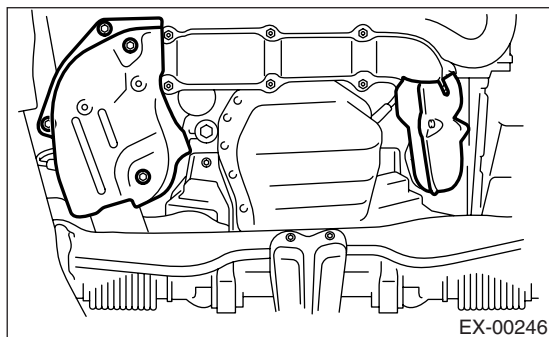


2) Remove the front oxygen (A/F) sensor. <Ref. to FU(H4DOTC)-38, REMOVAL, Front Oxygen (A/F) Sensor.>

3) Remove the under cover.

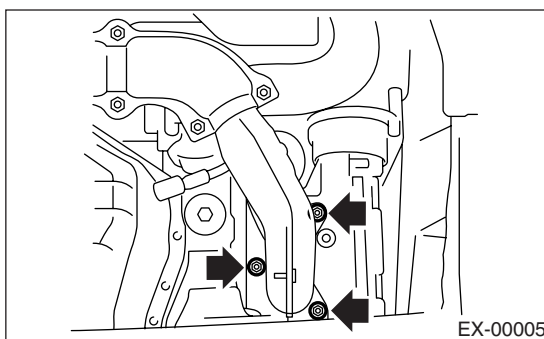
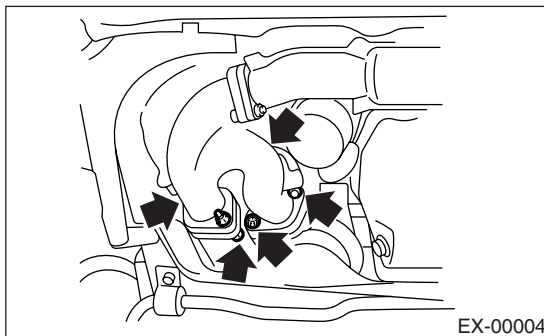
4) Remove the lower exhaust manifold cover (RH).

5) Remove the lower and upper exhaust manifold covers (LH).



6) Remove the nuts and bolts which hold the front exhaust pipe assembly to turbocharger joint pipe.

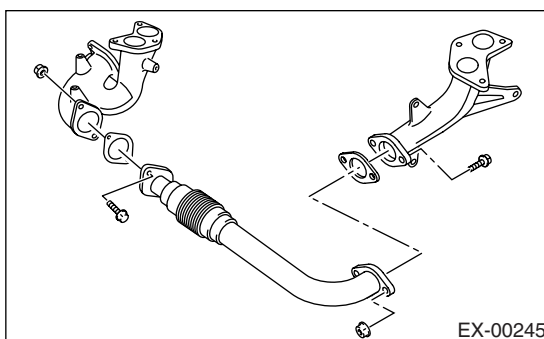
7) While holding the front exhaust pipe assembly with one hand, remove the nuts which hold the front exhaust pipe assembly to cylinder head exhaust port.



8) Remove the front exhaust pipe assembly.

9) Remove the covers from exhaust manifold and front exhaust pipe.

10) Separate the front exhaust pipe from exhaust manifolds.



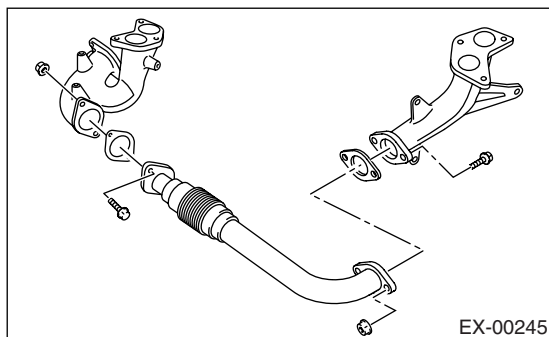
B: INSTALLATION**NOTE:**

Replace the gaskets with new ones.

1) Assemble the front exhaust pipe and exhaust manifolds.

Tightening torque:

35 N·m (3.6 kgf-m, 26.0 ft-lb)



2) Install the front exhaust pipe covers.

Tightening torque:

7.5 N·m (0.8 kgf-m, 5.5 ft-lb)

3) Install the upper exhaust manifold cover (RH).

Tightening torque:

19 N·m (1.9 kgf-m, 13.7 ft-lb)

4) Install the front exhaust pipe assembly.

Tightening torque:

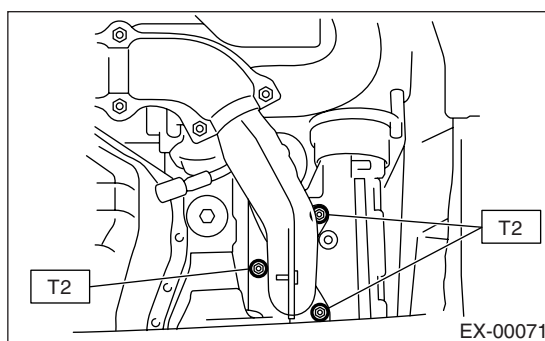
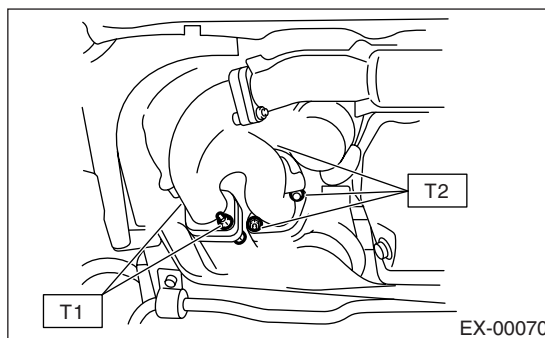
35 N·m (3.6 kgf-m, 26.0 ft-lb)

5) Connect the exhaust manifold (RH) to turbo-charger joint pipe.

Tightening torque:

T1: 35 N·m (3.6 kgf-m, 26.0 ft-lb)

T2: 40 N·m (4.0 kgf-m, 28.9 ft-lb)



6) Install the upper and lower exhaust manifold covers (LH).

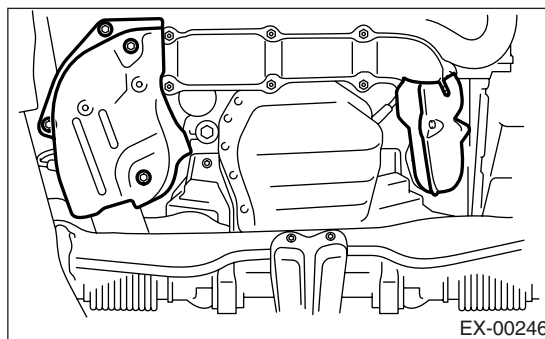
Tightening torque:

19 N·m (1.9 kgf-m, 13.7 ft-lb)

7) Install the lower exhaust manifold cover (RH).

Tightening torque:

19 N·m (1.9 kgf-m, 13.7 ft-lb)



8) Install the front oxygen (A/F) sensor. <Ref. to FU(H4DOTC)-38, INSTALLATION, Front Oxygen (A/F) Sensor.>

9) Install the under cover.

FRONT EXHAUST PIPE

EXHAUST

10) Connect the battery ground cable to battery.

