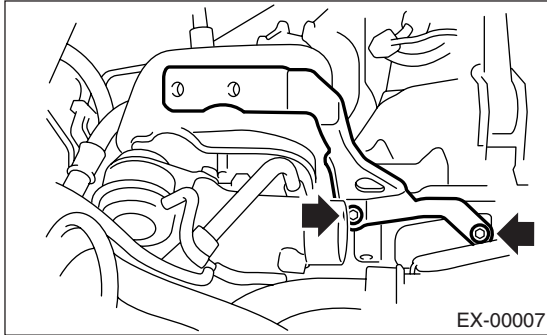


3. Center Exhaust Pipe

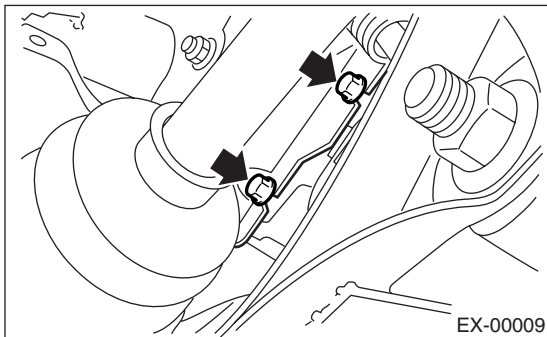
A: REMOVAL

- 1) Set the vehicle on a lift.
- 2) Disconnect the ground cable from battery.
- 3) Remove the intercooler. <Ref. to IN(H4DOTC)-10, REMOVAL, Intercooler.>
- 4) Remove the intercooler bracket.

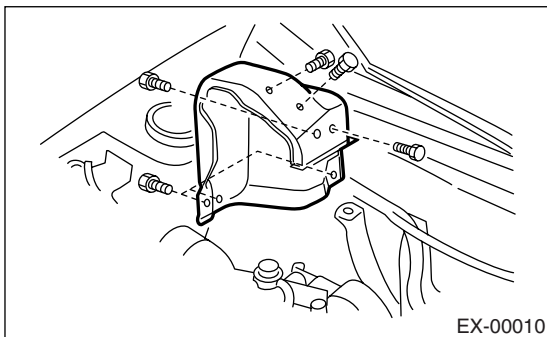


- 5) Lift-up the vehicle.
- 6) Remove the under cover.
- 7) Remove the bolts which install the lower side of turbocharger upper cover.

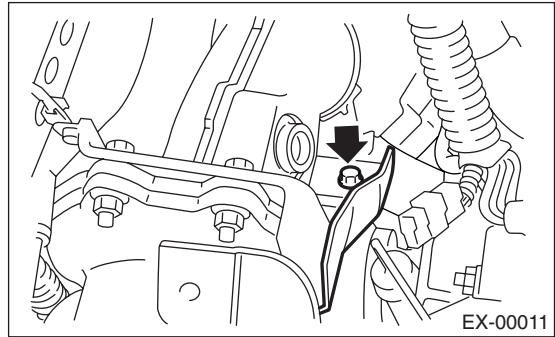
CAUTION:
Be careful, the turbocharger and exhaust pipe are hot.



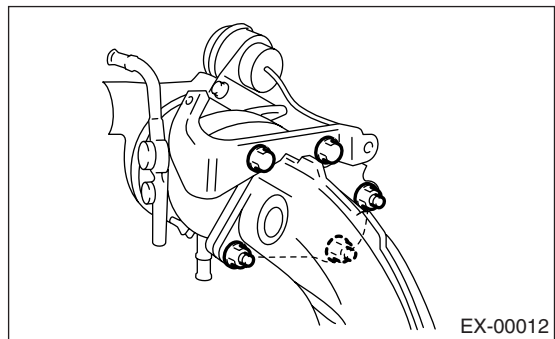
- 8) Lower the vehicle.
- 9) Remove the turbocharger upper cover.



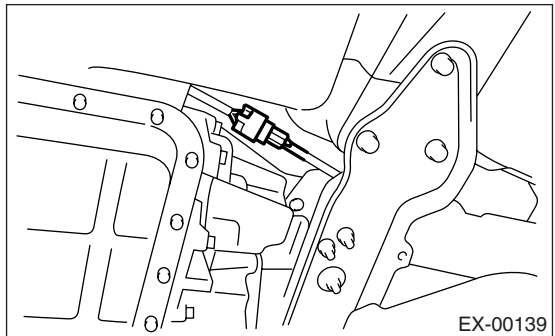
- 10) Remove the bolts which install the lower upper side of turbocharger upper cover, and remove it.



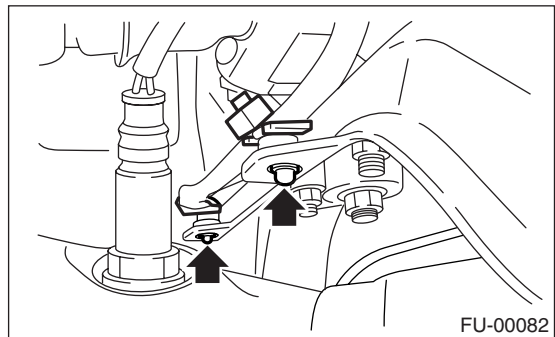
- 11) Separate the center exhaust pipe from turbocharger.



- 12) Lift-up the vehicle.
- 13) Disconnect the connector from rear oxygen sensor.



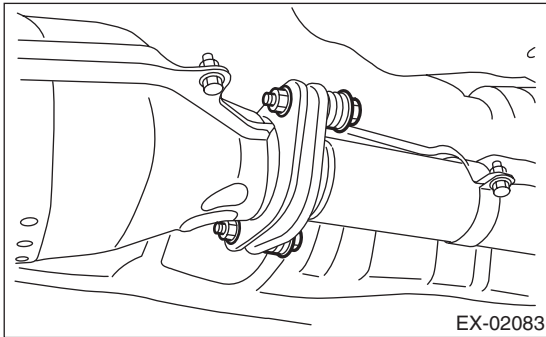
- 14) Vertically draw out the clip from crossmember.



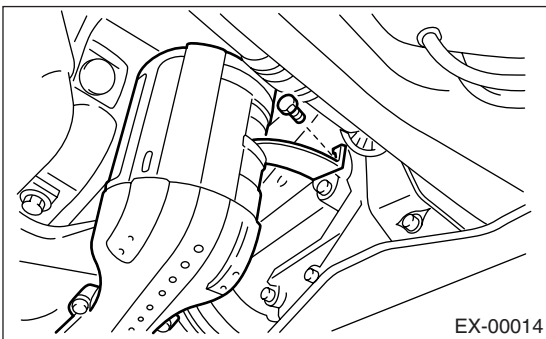
CENTER EXHAUST PIPE

EXHAUST

- 15) Separate the center exhaust pipe from rear exhaust pipe.

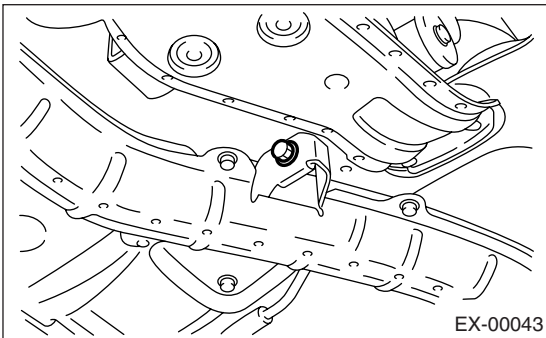


- 16) Remove the bolt which holds the center exhaust pipe bracket to transmission.



- 17) Remove the intercooler bracket.
18) Remove the bolt which holds the center exhaust pipe to hanger bracket.

CAUTION:
Be careful not to pull down the center exhaust pipe.



- 19) Remove the center exhaust pipe.



B: INSTALLATION

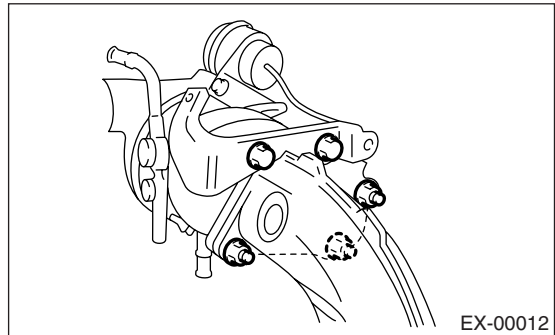
NOTE:

Replace the gaskets with new ones.

- 1) Install the center exhaust pipe and temporarily tighten the bolt which holds the center exhaust pipe to hanger bracket.
- 2) Temporarily tighten the bolt which holds the center pipe to transmission.
- 3) Connect the center exhaust pipe to turbocharger.

Tightening torque:

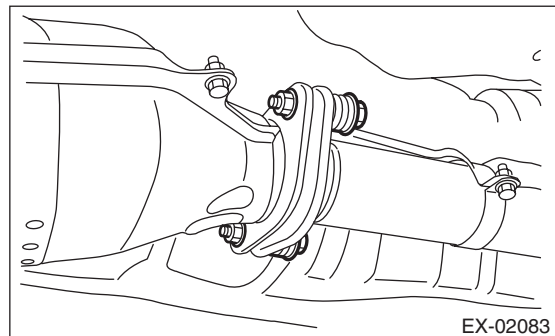
35 N·m (3.6 kgf-m, 26.0 ft-lb)



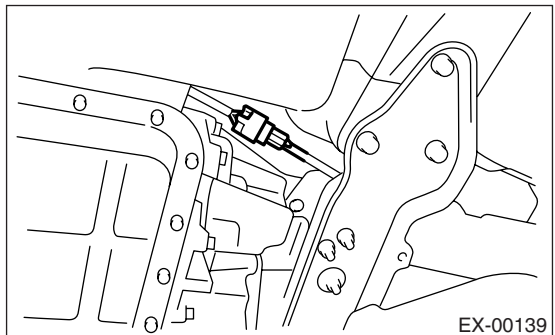
- 4) Install the center exhaust pipe to rear exhaust pipe.

Tightening torque:

18 N·m (1.8 kgf-m, 13.0 ft-lb)



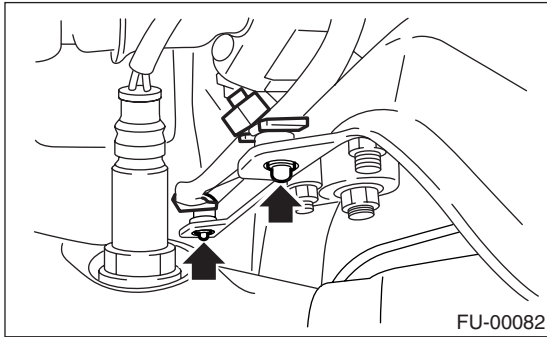
- 5) Connect the connector to rear oxygen sensor.



CENTER EXHAUST PIPE

EXHAUST

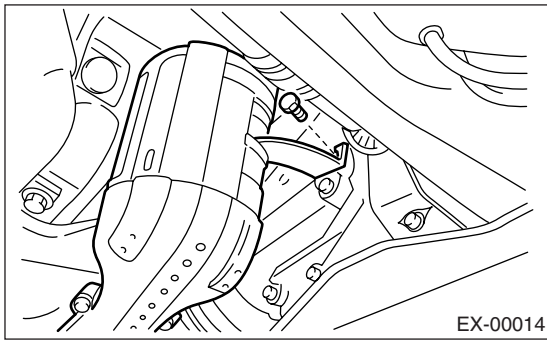
6) Secure the clip on crossmember.



7) Tighten the bolt which holds the center exhaust pipe bracket to transmission.

Tightening torque:

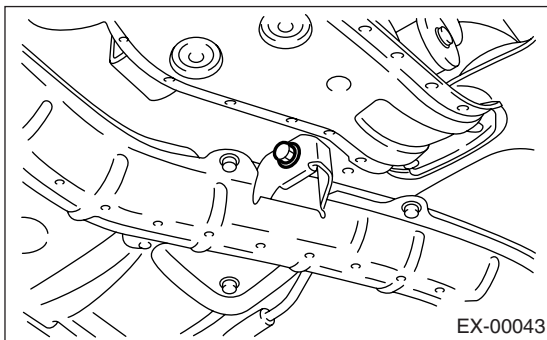
30 N·m (3.1 kgf·m, 22.4 ft·lb)



8) Tighten the bolt which holds the center exhaust pipe to hanger bracket.

Tightening torque:

35 N·m (3.6 kgf·m, 26.0 ft·lb)

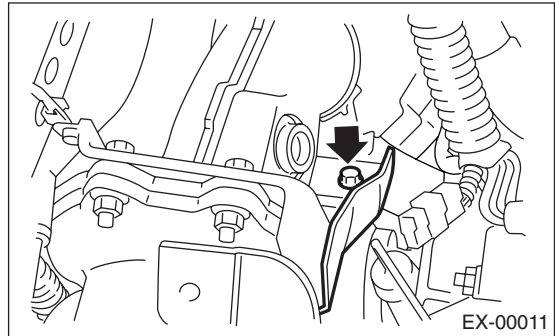


9) Lower the vehicle.

10) Place the turbocharger lower cover, and tighten the bolts which install the upper side of lower cover.

Tightening torque:

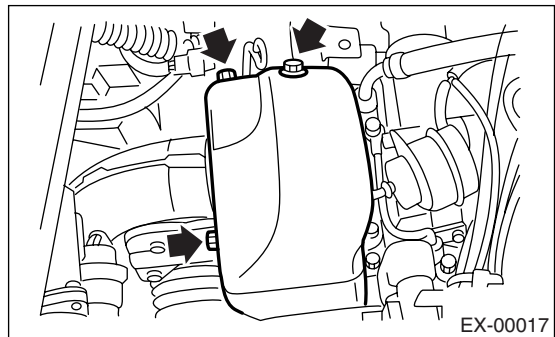
7.4 N·m (0.75 kgf·m, 5.4 ft·lb)



11) Place the turbocharger upper cover, and tighten the bolts which install the upper side of upper cover.

Tightening torque:

7.4 N·m (0.75 kgf·m, 5.4 ft·lb)

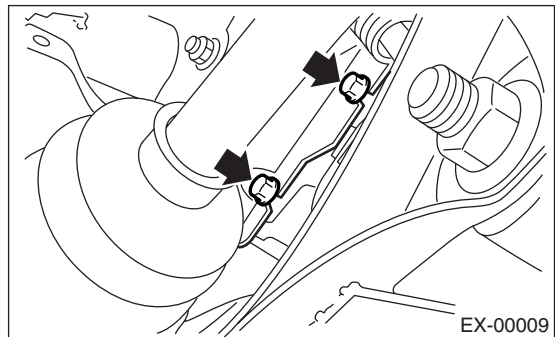


12) Lift-up the vehicle.

13) Tighten the bolts which install the under side of turbocharger upper cover.

Tightening torque:

7.4 N·m (0.75 kgf·m, 5.4 ft·lb)



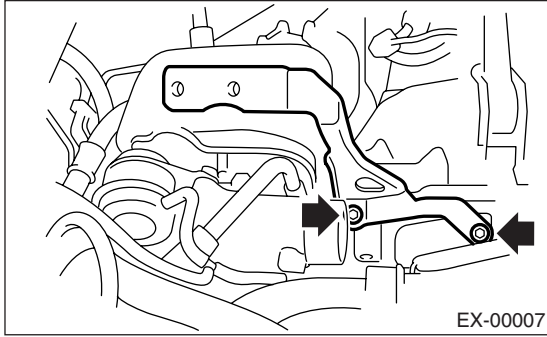
14) Install the under cover.

15) Lower the vehicle.

CENTER EXHAUST PIPE

EXHAUST

16) Install the intercooler bracket.



17) Install the intercooler. <Ref. to IN(H4DOTC)-11, INSTALLATION, Intercooler.>