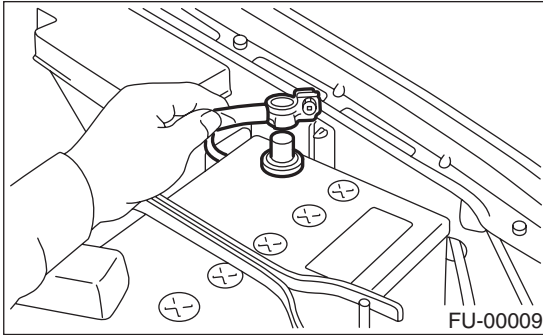


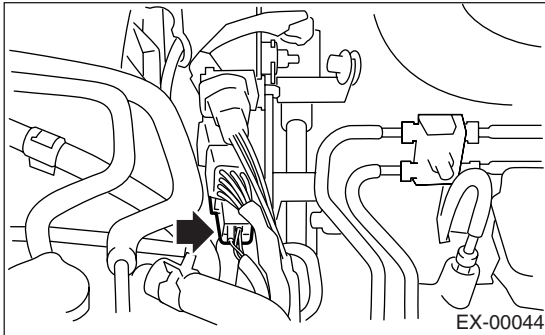
4. Joint Pipe

A: REMOVAL

1) Disconnect the ground cable from battery.



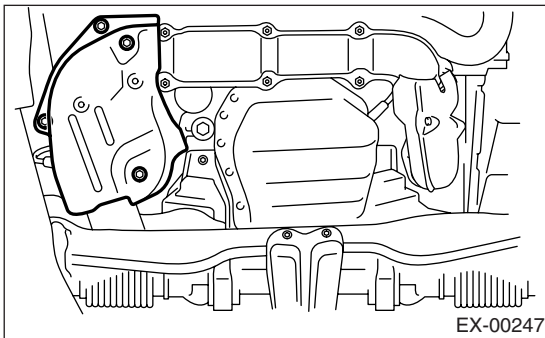
2) Disconnect the exhaust temperature sensor connector.



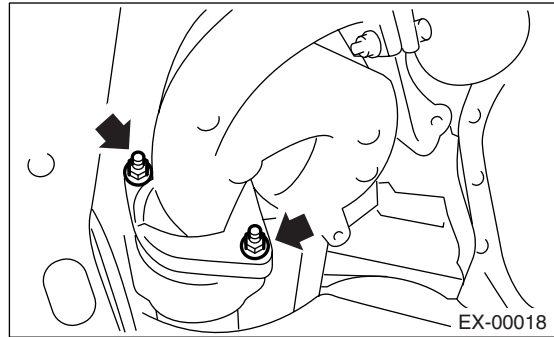
3) Remove the front oxygen (A/F) sensor. <Ref. to FU(H4DOTC)-38, REMOVAL, Front Oxygen (A/F) Sensor.>

4) Remove the under cover.

5) Remove the lower exhaust manifold cover (RH).



6) Remove the nuts which hold the front exhaust manifold to joint pipe.



7) Remove the center exhaust pipe. <Ref. to EX(H4DOTC)-9, REMOVAL, Center Exhaust Pipe.>

8) Remove the turbocharger. <Ref. to IN(H4DOTC)-12, REMOVAL, Turbocharger.>

9) Take off the joint pipe in the upward direction.

B: INSTALLATION

Install in the reverse order of removal.

Tightening torque:

T: 35 N·m (3.6 kgf-m, 26.0 ft-lb)

