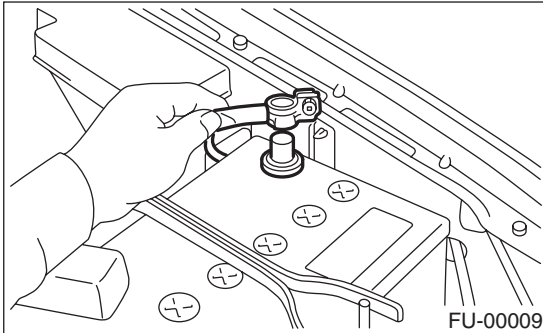


10. Fuel Injector

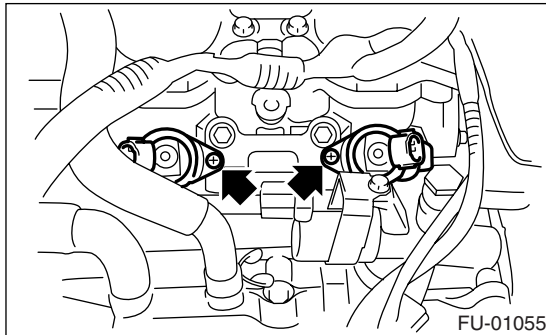
A: REMOVAL

1. RH SIDE

- 1) Release the fuel pressure. <Ref. to FU(H4DOTC)-48, RELEASING OF FUEL PRESSURE, OPERATION, Fuel.>
- 2) Open the fuel filler flap lid and remove the fuel filler cap.
- 3) Disconnect the ground cable from battery.

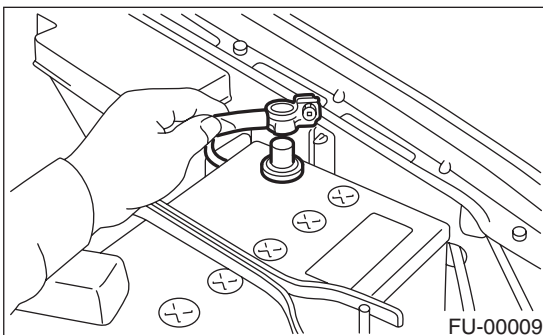


- 4) Disconnect the connector from the fuel injector.
- 5) Remove the screw and remove the fuel injector.

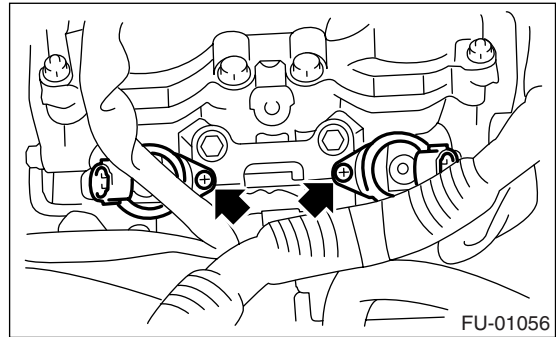


2. LH SIDE

- 1) Release the fuel pressure. <Ref. to FU(H4DOTC)-48, RELEASING OF FUEL PRESSURE, OPERATION, Fuel.>
- 2) Open the fuel filler flap lid and remove the fuel filler cap.
- 3) Disconnect the ground cable from battery.



- 4) Remove the intake manifold. <Ref. to FU(H4DOTC)-15, REMOVAL, Intake Manifold.>
- 5) Disconnect the connector from the fuel injector.
- 6) Remove the screw and remove the fuel injector.



B: INSTALLATION

1. RH SIDE

Install in the reverse order of removal.

NOTE:

Replace the O-rings with new ones.

2. LH SIDE

Install in the reverse order of removal.

NOTE:

Replace the O-rings with new ones.