

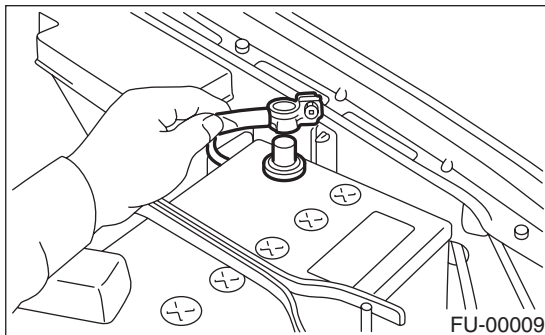
# TUMBLE GENERATOR VALVE ASSEMBLY

FUEL INJECTION (FUEL SYSTEMS)

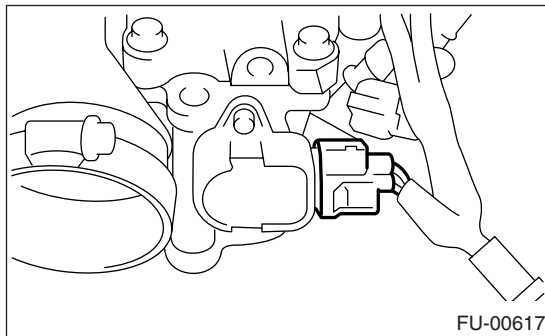
## 11. Tumble Generator Valve Assembly

### A: REMOVAL

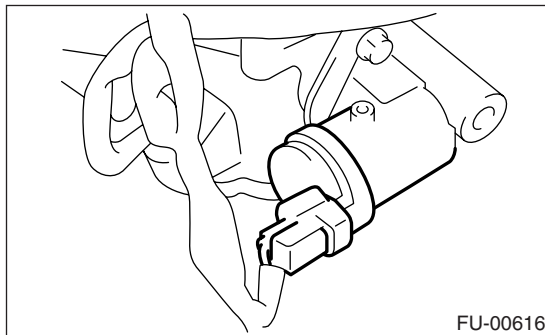
- 1) Release the fuel pressure. <Ref. to FU(H4DOTC)-48, RELEASING OF FUEL PRESSURE, OPERATION, Fuel.>
- 2) Open the fuel filler lid and remove the fuel filler cap.
- 3) Disconnect the ground cable from battery.



- 4) Remove the intake manifold. <Ref. to FU(H4DOTC)-15, REMOVAL, Intake Manifold.>
- 5) Disconnect the connector from the tumble generator valve sensor.

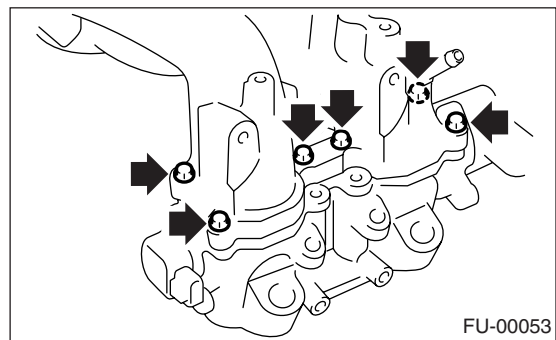


- 6) Disconnect the connector from the tumble generator valve actuator.



- 7) Remove the fuel injector. <Ref. to FU(H4DOTC)-33, REMOVAL, Fuel Injector.>

- 8) Remove the tumble generator valve body from the intake manifold.



### B: INSTALLATION

Install in the reverse order of removal.

NOTE:

Always use new gaskets.

**Tightening torque:**

**8.25 N·m (0.84 kgf·m, 6.1 ft·lb)**

