

# ELECTRONIC CONTROL THROTTLE RELAY

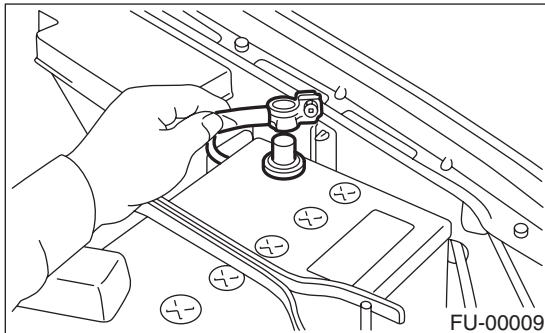
FUEL INJECTION (FUEL SYSTEMS)

---

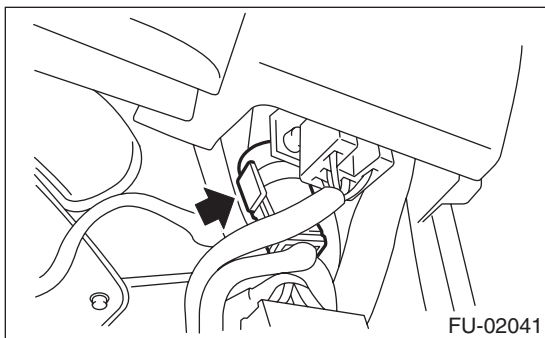
## 21. Electronic Control Throttle Relay

### A: REMOVAL

- 1) Disconnect ground cable from battery.



- 2) Disconnect connector from the passenger's side electronic control throttle relay.
- 3) Remove the electronic control throttle relay from the bracket.



### B: INSTALLATION

Install in the reverse order of removal.