

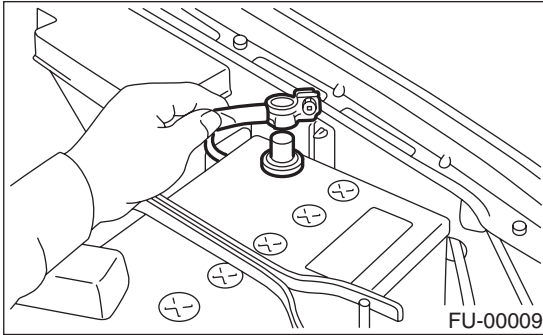
KNOCK SENSOR

FUEL INJECTION (FUEL SYSTEMS)

7. Knock Sensor

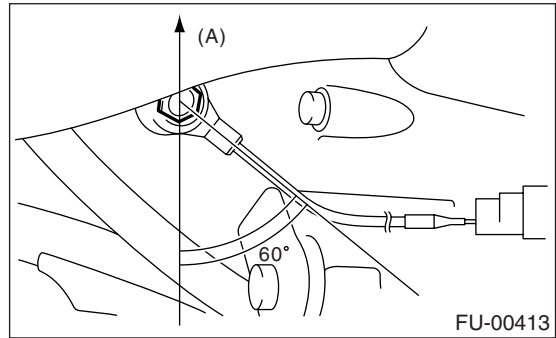
A: REMOVAL

- 1) Disconnect the ground cable from battery.

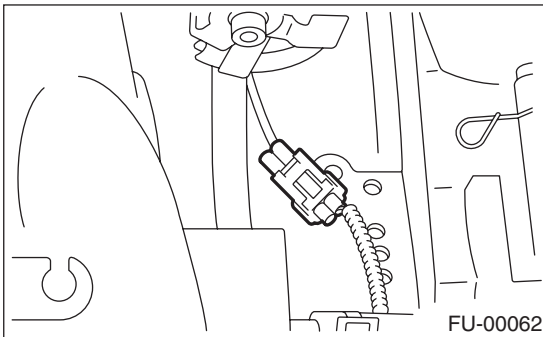


NOTE:

Extraction area of the knock sensor cord must be positioned at a 60° angle relative to the engine rear.

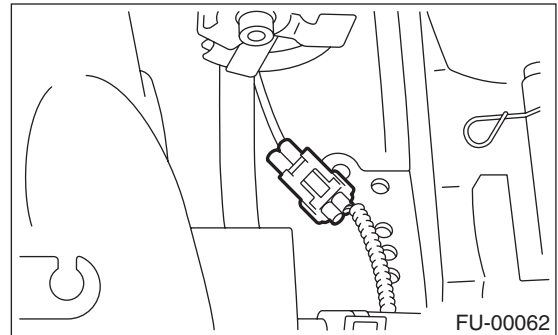


- 2) Remove the intercooler. <Ref. to IN(H4DOTC)-10, REMOVAL, Intercooler.>
- 3) Disconnect the knock sensor connector.

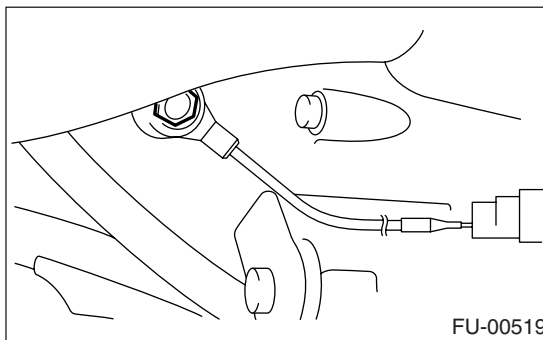


(A) Front side

- 2) Connect the knock sensor connector.

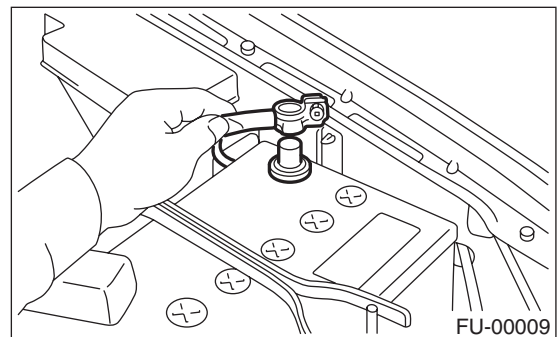


- 4) Remove the knock sensor from the cylinder block.



- 3) Install the intercooler. <Ref. to IN(H4DOTC)-11, INSTALLATION, Intercooler.>

- 4) Connect the battery ground cable to battery.



B: INSTALLATION

- 1) Install the knock sensor to the cylinder block.

Tightening torque:

24 N·m (2.4 kgf·m, 17.4 ft·lb)