

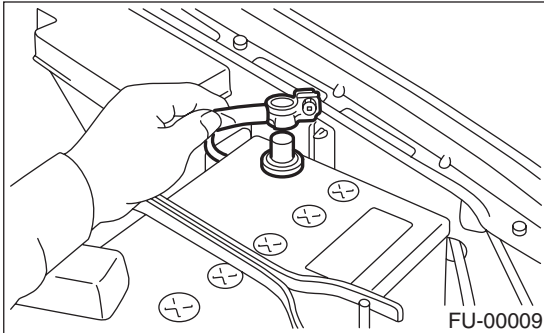
MANIFOLD ABSOLUTE PRESSURE SENSOR

FUEL INJECTION (FUEL SYSTEMS)

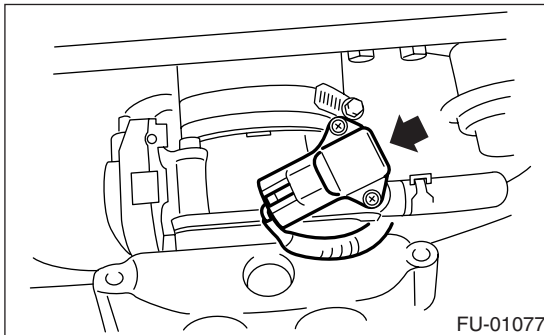
9. Manifold Absolute Pressure Sensor

A: REMOVAL

1) Disconnect the ground cable from battery.



2) Disconnect the connectors from manifold absolute pressure sensor.



3) Remove the manifold absolute pressure sensor from the throttle body.

B: INSTALLATION

Install in the reverse order of removal.

NOTE:

Replace the O-rings for the manifold absolute pressure sensor with new ones.

Tightening torque:

1.6 N-m (0.16 kgf-m, 1.2 ft-lb)