

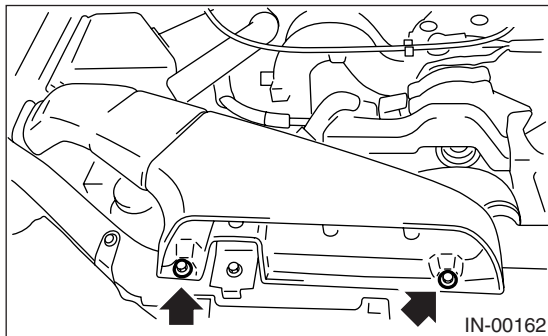
AIR INTAKE DUCT

INTAKE (INDUCTION)

3. Air Intake Duct

A: REMOVAL

Remove the bolts which install the air intake duct on front side of body.

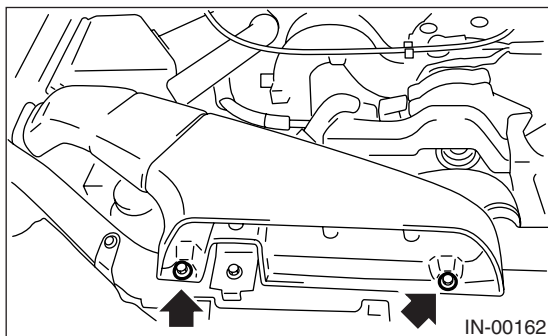


B: INSTALLATION

Install in the reverse order of removal.

Tightening torque:

7.5 N·m (0.76 kgf-m, 5.5 ft-lb)



C: INSPECTION

- 1) Inspect for cracks and loose connections.
- 2) Inspect that no foreign objects are mixed in air intake duct.