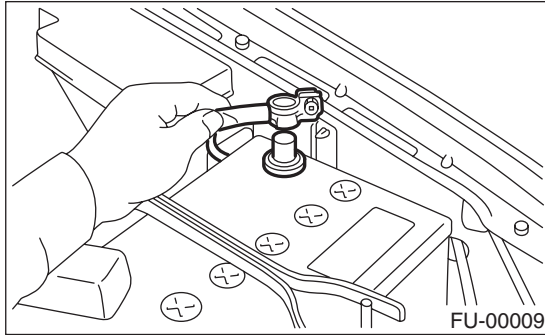


## 4. Intake Duct

### A: REMOVAL

1) Disconnect the ground cable from battery.



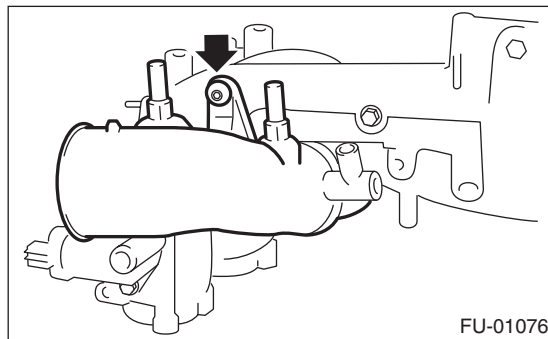
2) Remove the intake manifold.

<Ref. to FU(H4DOTC)-15, REMOVAL, Intake Manifold.>

3) Remove the sensor, engine harness and fuel pipe attached to intake manifold.

<Ref. to FU(H4DOTC)-20, DISASSEMBLY, Intake Manifold.>

4) Remove the intake duct from intake manifold.



### B: INSTALLATION

Install in the reverse order of removal.

**Tightening torque:**

**19 N·m (1.9 kgf-m, 13.7 ft-lb)**

