

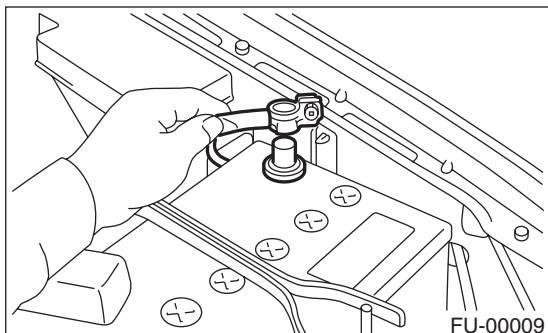
TURBOCHARGER

INTAKE (INDUCTION)

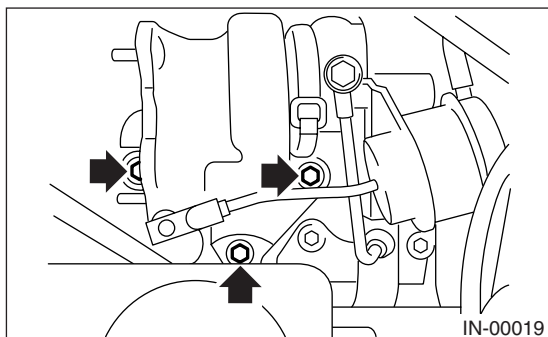
6. Turbocharger

A: REMOVAL

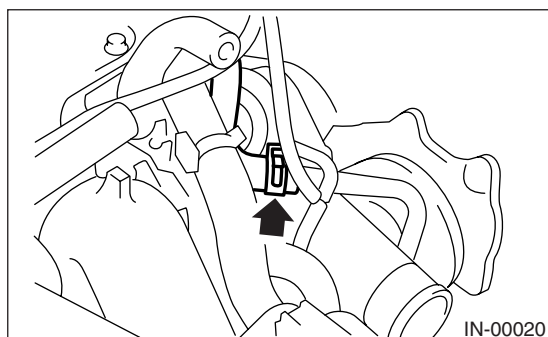
- 1) Set the vehicle on a lift.
- 2) Disconnect the ground cable from battery.



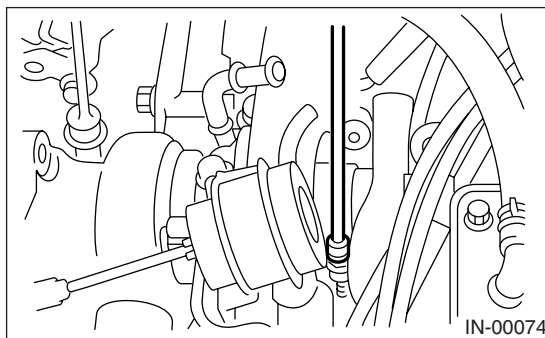
- 3) Remove the center exhaust pipe.
<Ref. to EX(H4DOTC)-9, REMOVAL, Center Exhaust Pipe.>
- 4) Lower the vehicle.
- 5) Separate the turbocharger joint pipe from turbocharger.



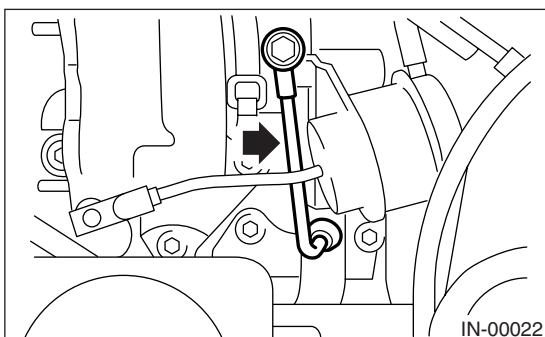
- 6) Disconnect the engine coolant hose which is connected to coolant filler tank.



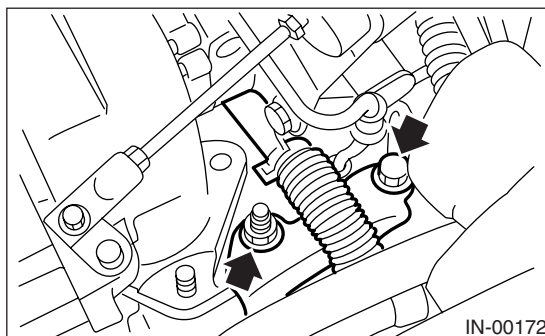
- 7) Loosen the clamp which secures the turbocharger to intake duct.



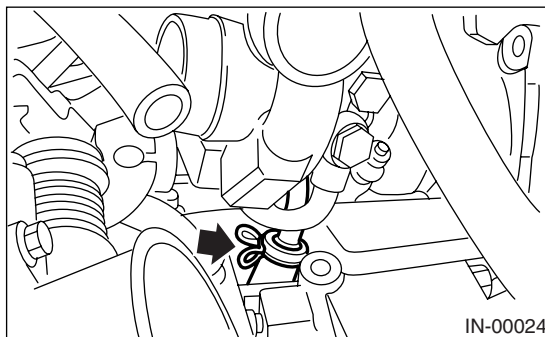
- 8) Remove the bolt which secures the bracket of oil pipe to turbocharger.
- 9) Remove the oil pipe from turbocharger.



- 10) Disconnect the engine coolant hose.
- 11) Remove the turbocharger bracket.



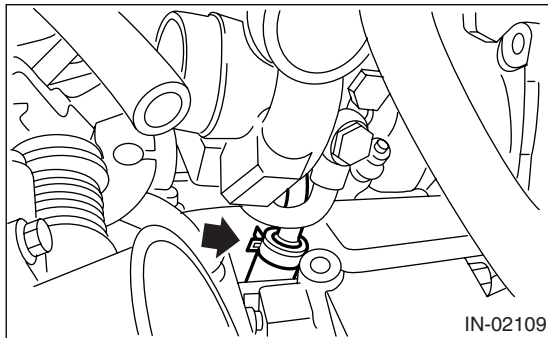
- 12) Disconnect the oil outlet hose from pipe.



- 13) Take out the turbocharger from engine compartment.

B: INSTALLATION

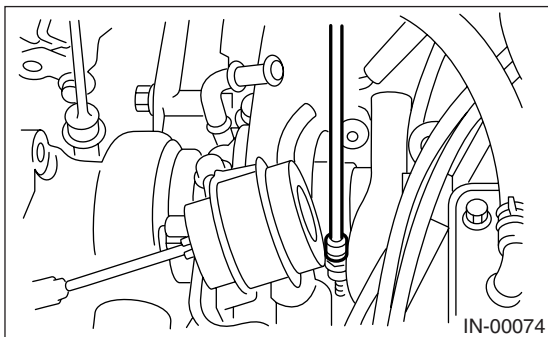
- 1) Connect the oil outlet hose to outlet pipe.



- 2) Install the turbocharger to intake duct.

Tightening torque:

3 N·m (0.3 kgf·m, 2.2 ft·lb)

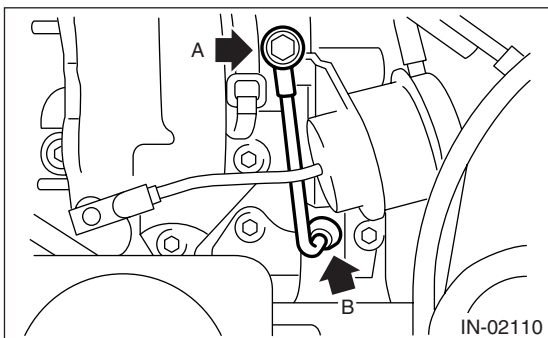


- 3) Install the oil pipe to turbocharger.

Tightening torque:

A: 20 N·m (2.0 kgf·m, 14.8 ft·lb)

B: 16 N·m (1.6 kgf·m, 11.6 ft·lb)



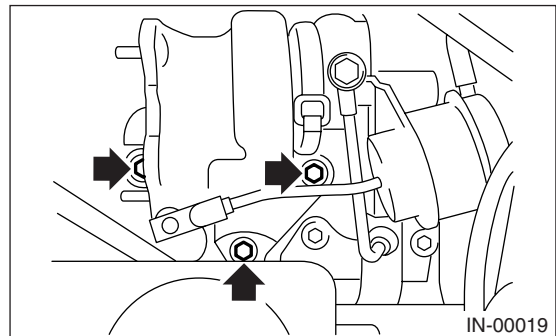
- 4) Install the joint pipe to turbocharger.

NOTE:

Replace the gasket with a new one.

Tightening torque:

35 N·m (3.6 kgf·m, 25.8 ft·lb)

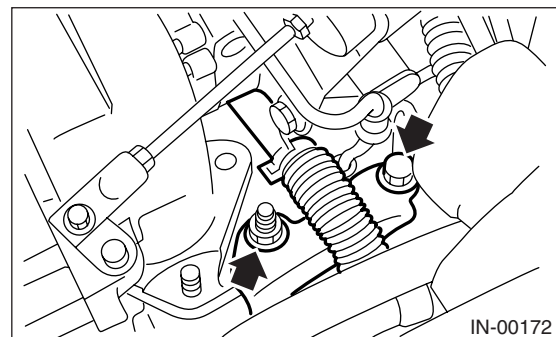


- 5) Connect the engine coolant hose.

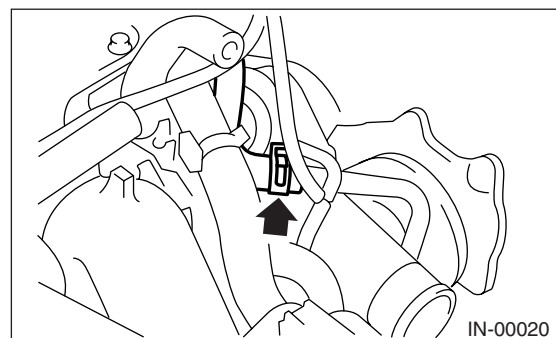
- 6) Install the turbocharger bracket.

Tightening torque:

33 N·m (3.4 kgf·m, 24.6 ft·lb)



- 7) Connect the engine coolant hose which is connected to coolant filler tank.



- 8) Lift-up the vehicle.

- 9) Install the center exhaust pipe.

<Ref. to EX(H4DOTC)-10, INSTALLATION, Center Exhaust Pipe.>